



US00D892728S

(12) **United States Design Patent**
Pan

(10) **Patent No.:** **US D892,728 S**

(45) **Date of Patent:** **** Aug. 11, 2020**

(54) **BATTERY CHARGER**

(71) Applicant: **SHENZHEN BENMER ELECTRONICS CO., LTD,**
Guangdong (CN)

(72) Inventor: **Jinhai Pan,** Guangdong (CN)

(73) Assignee: **SHENZHEN BENMER ELECTRONICS CO., LTD,**
Guangdong (CN)

(**) Term: **15 Years**

(21) Appl. No.: **29/653,153**

(22) Filed: **Jun. 13, 2018**

(51) **LOC (12) Cl.** **13-02**

(52) **U.S. Cl.**
USPC **D13/107**

(58) **Field of Classification Search**
USPC D13/103, 107-108, 110, 184, 199;
D14/251, 253, 432, 434
CPC H02J 7/0044; H02J 7/0045; H02J 7/0042;
H02J 7/342; H02J 7/345; H02J 7/025;
H02J 7/026; H02J 7/0007; H02J 7/0027;
H02J 7/0003; H02J 50/10; B60R 16/033
See application file for complete search history.

(56) **References Cited**

U.S. PATENT DOCUMENTS

D475,417 S * 6/2003 Wintersteiger D14/432
D476,376 S * 6/2003 Wintersteiger D14/432
D524,282 S * 7/2006 Beasley D13/108

D526,973 S * 8/2006 Gates D13/168
D558,207 S * 12/2007 Ikeda D14/434
D558,208 S * 12/2007 Ikeda D14/434
D558,209 S * 12/2007 Ikeda D14/434
D585,898 S * 2/2009 Skurdal D14/434
D731,967 S * 6/2015 Tuhkanen D13/108
D749,504 S * 2/2016 Jeong D13/108
D762,571 S * 8/2016 Lee D13/108
D772,813 S * 11/2016 Wahl D13/108
D784,259 S * 4/2017 Huang D13/108
D797,042 S * 9/2017 Miller D13/107
D802,529 S * 11/2017 Andersson D13/108
D810,015 S * 2/2018 Carreon D13/108
D824,851 S * 8/2018 Antonetti D13/108

* cited by examiner

Primary Examiner — Rosemary K Tarcza

(74) *Attorney, Agent, or Firm* — JCIPRNET

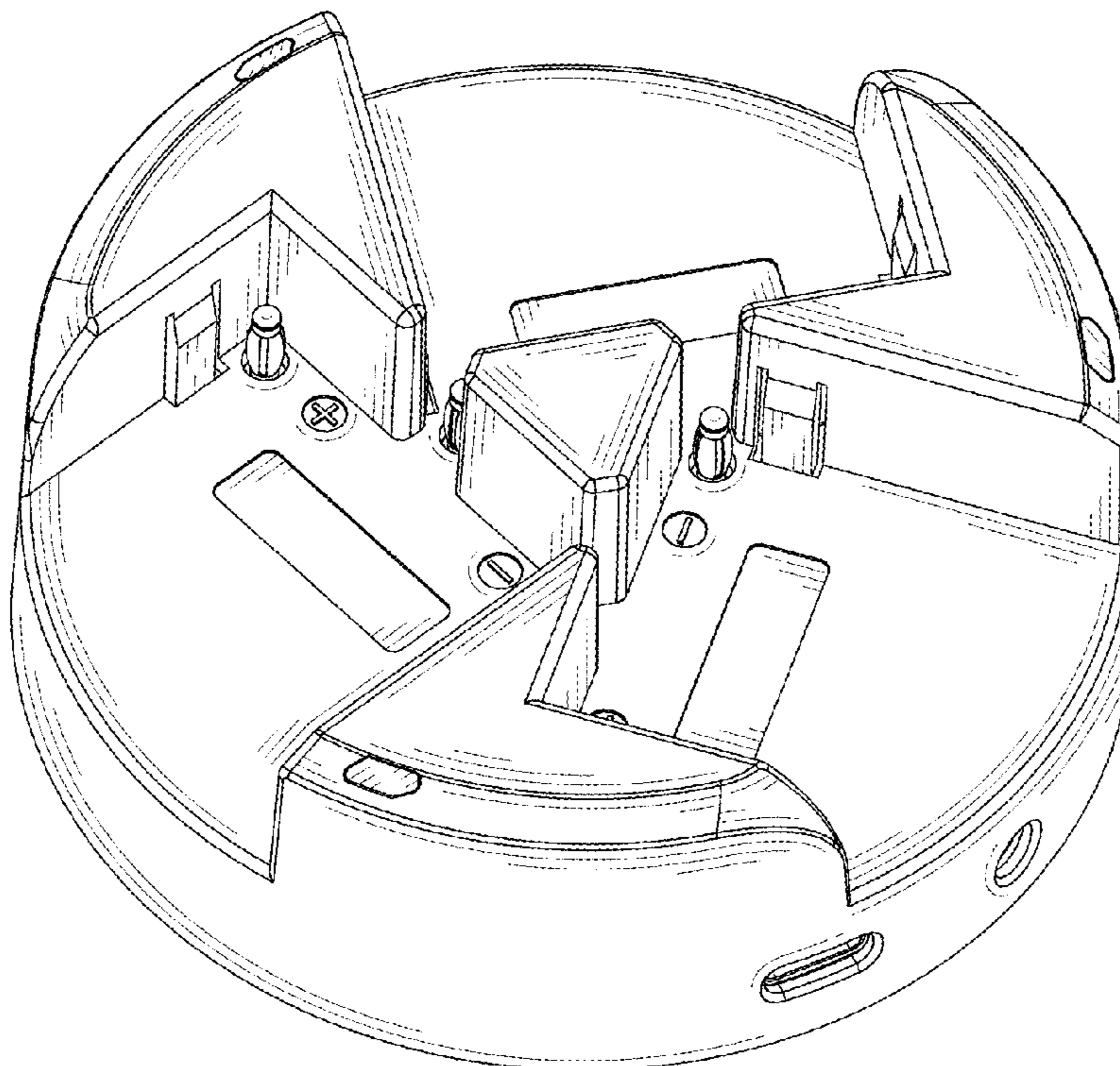
(57) **CLAIM**

The ornamental design for a battery charger, as shown and described.

DESCRIPTION

FIG. 1 is a perspective view of a battery charger showing my new design;
FIG. 2 is another perspective view thereof;
FIG. 3 is a top view thereof;
FIG. 4 is a bottom view thereof;
FIG. 5 is a left side view thereof;
FIG. 6 is a right side view thereof;
FIG. 7 is a front view thereof; and,
FIG. 8 is a rear view thereof.

1 Claim, 5 Drawing Sheets



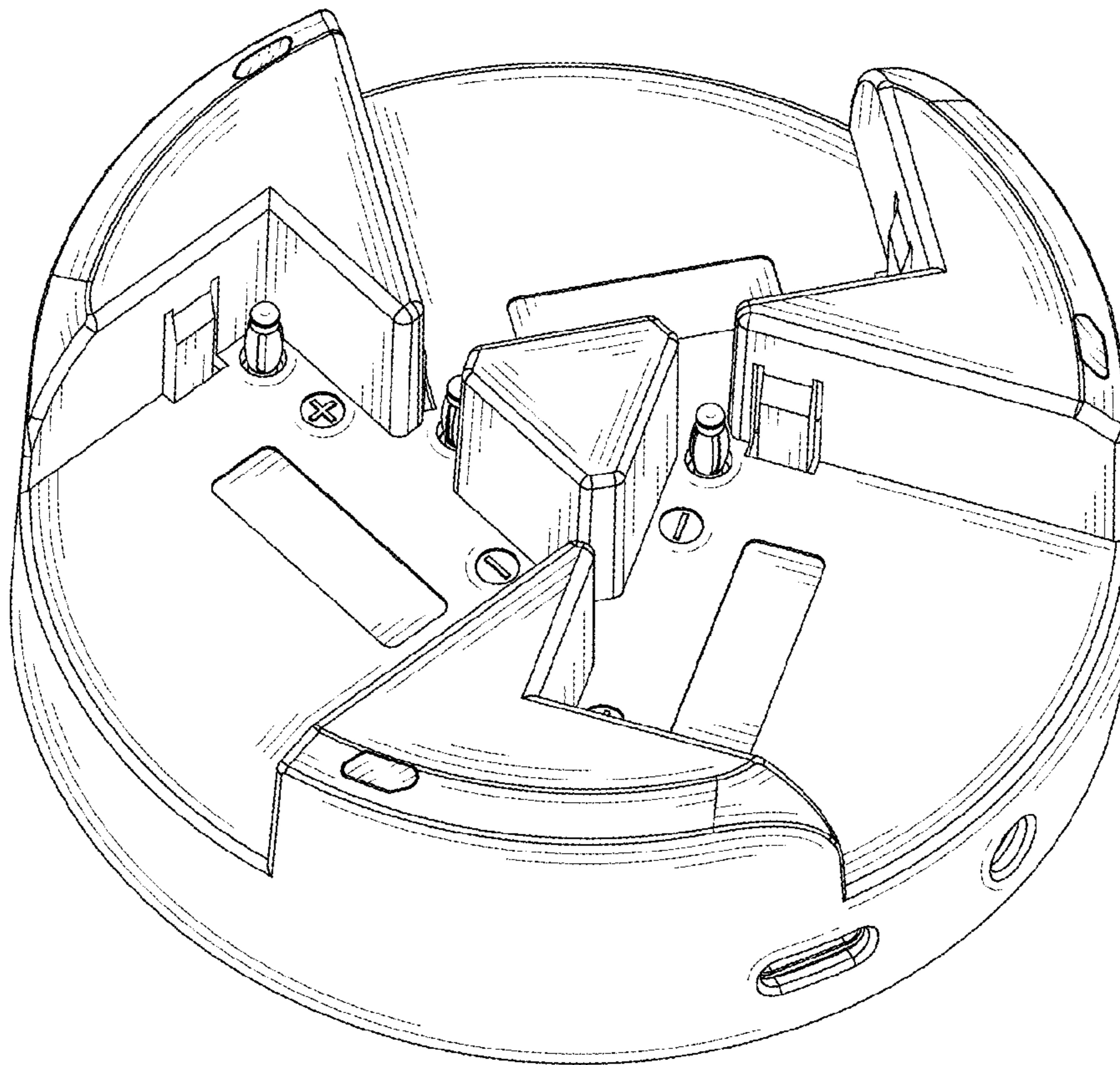


FIG. 1

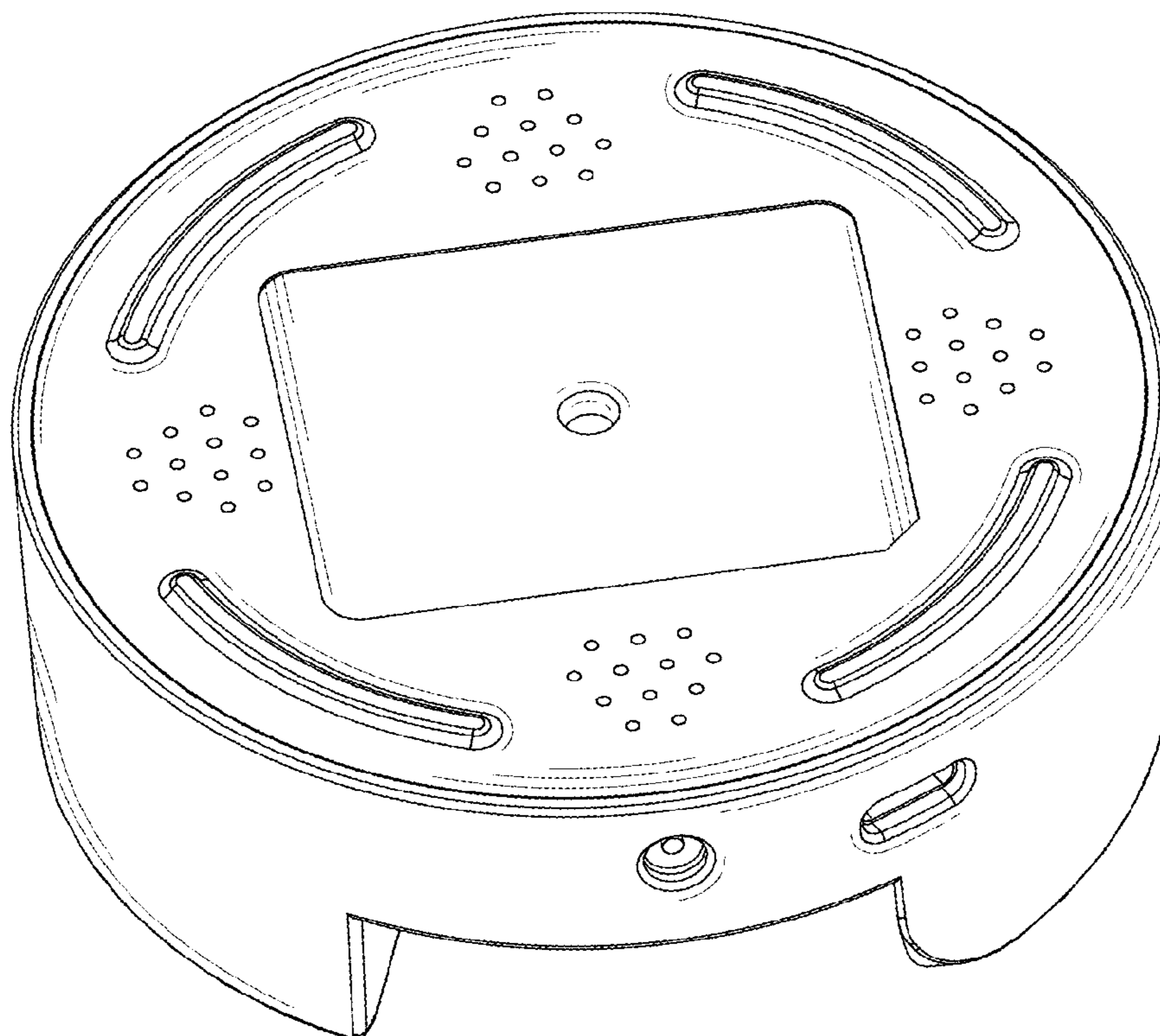


FIG. 2

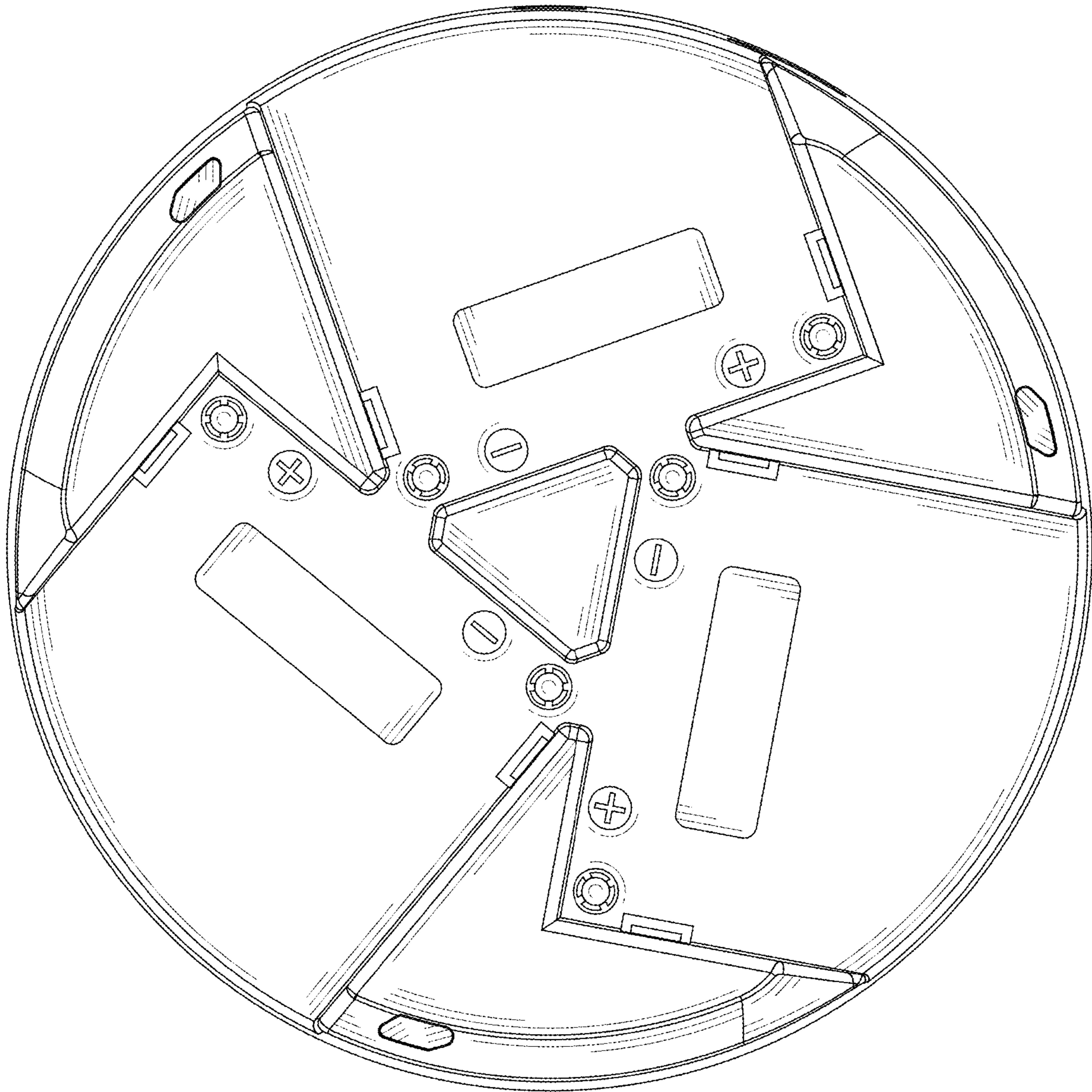


FIG. 3

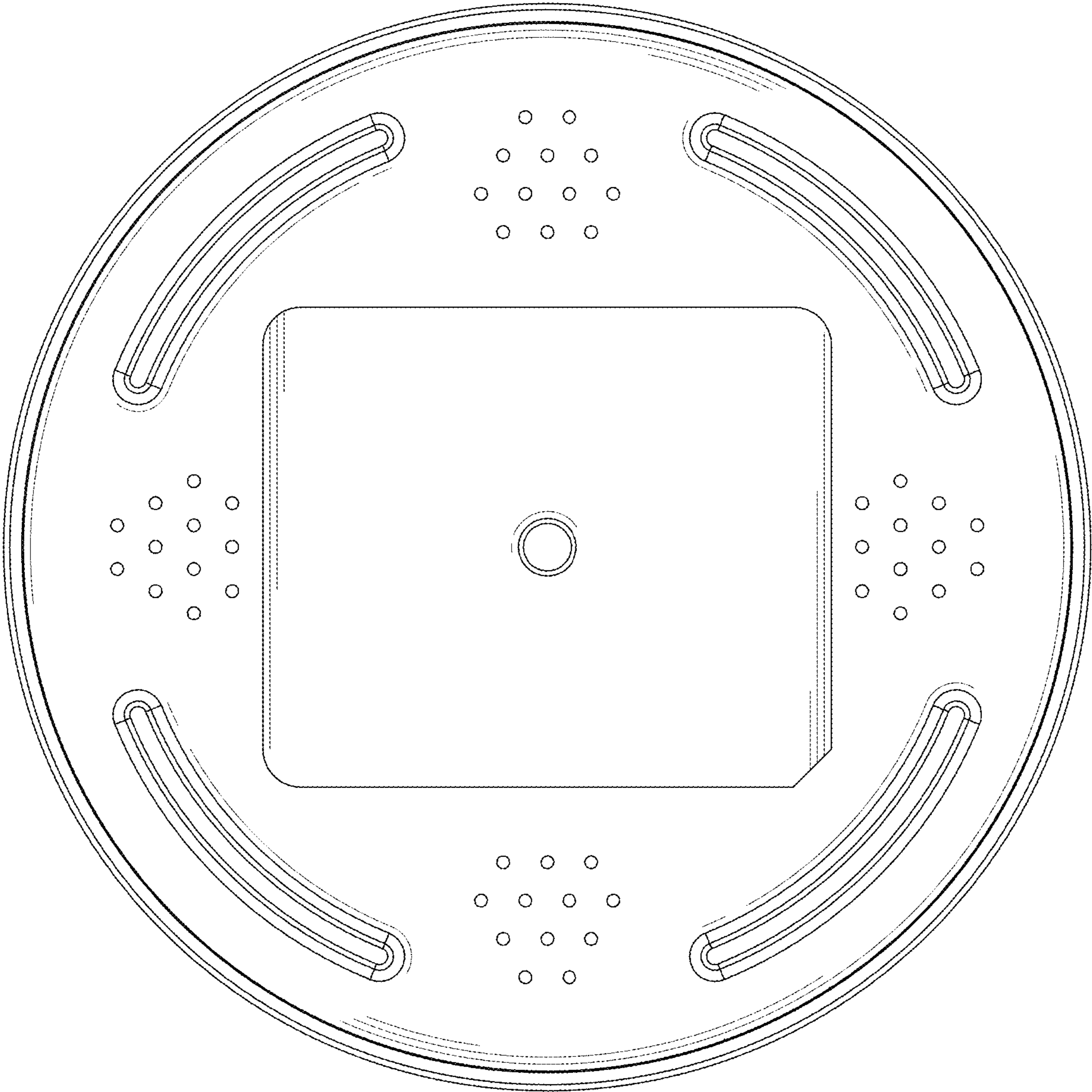


FIG. 4

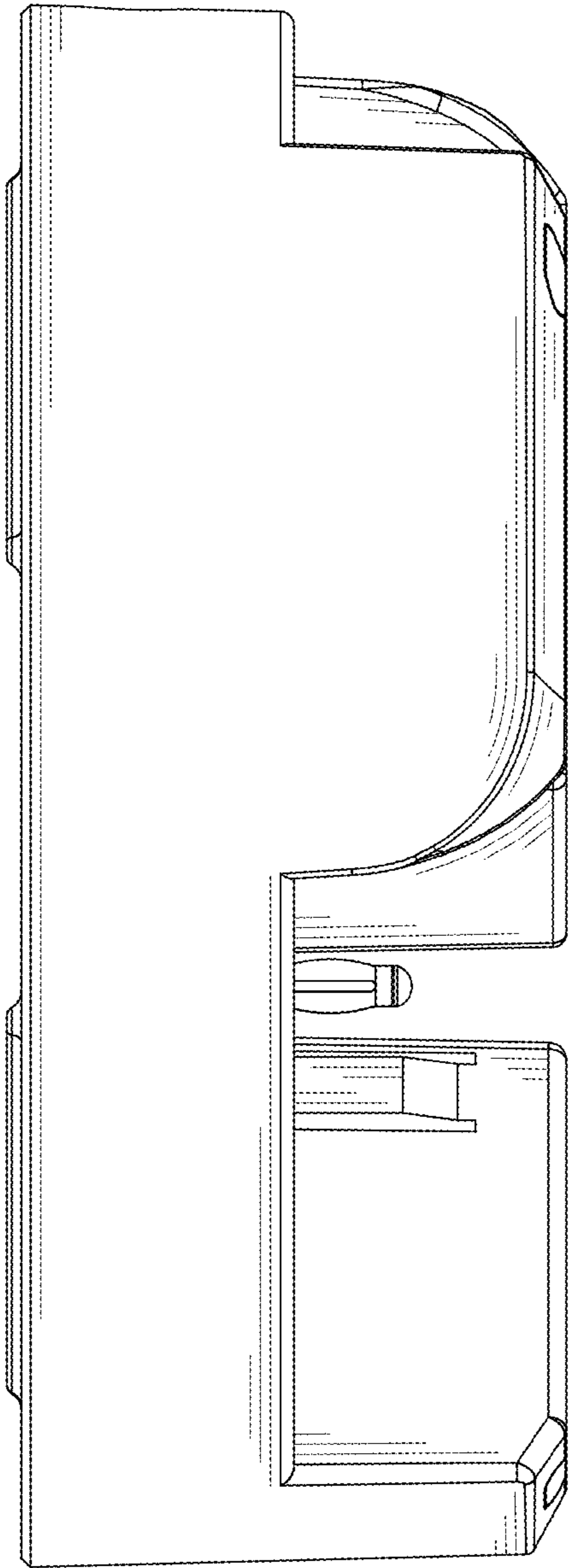


FIG. 5

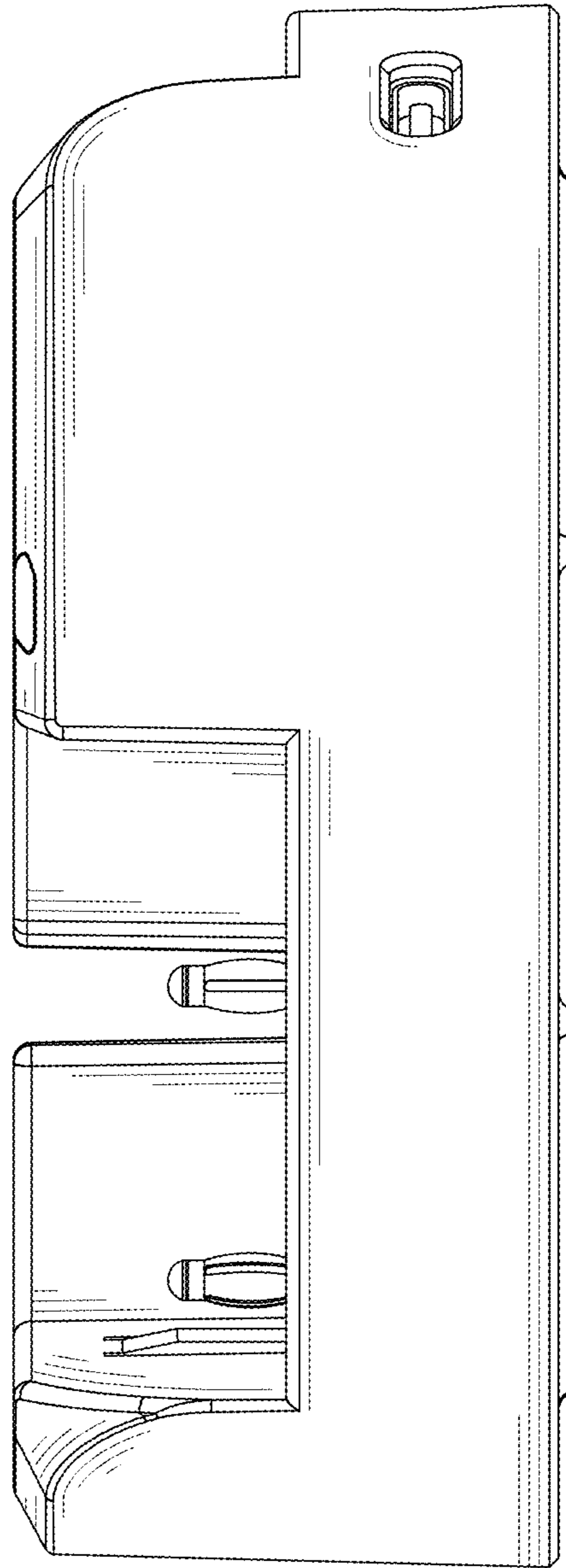


FIG. 6

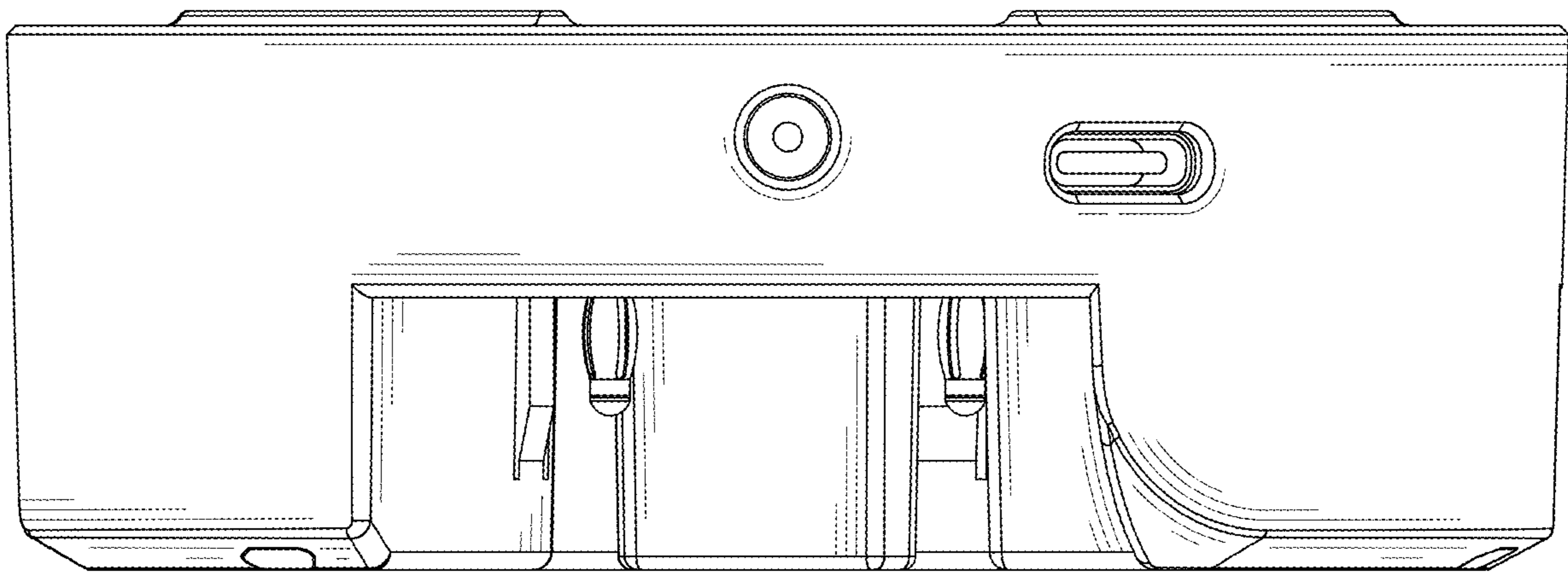


FIG. 7

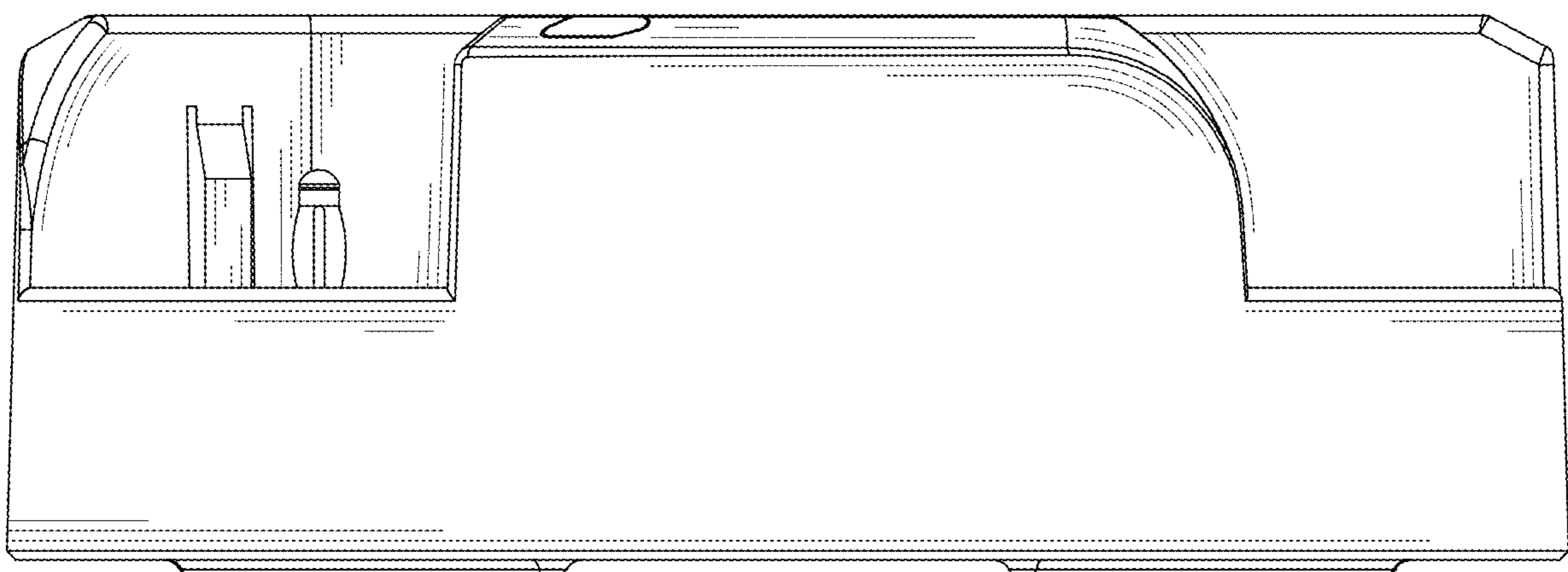


FIG. 8