



US00D892725S

(12) **United States Design Patent** (10) **Patent No.:** **US D892,725 S**
Baxter et al. (45) **Date of Patent:** **** Aug. 11, 2020**

(54) **ELECTRIC VEHICLE CHARGING STATION**

(56)

References Cited

(71) Applicant: **ChargePoint, Inc.**, Campbell, CA (US)

U.S. PATENT DOCUMENTS

(72) Inventors: **David Baxter**, Monte Sereno, CA (US);
Darren Chin-Ho Kim, Oakland, CA (US);
Peter H. Muller, Woodside, CA (US);
Pasquale Romano, Los Gatos, CA (US);
Richard Lowenthal, Cupertino, CA (US);
Carl F. Hagenmaier, Jr., Los Altos, CA (US);
Craig T. Matsuno, San Jose, CA (US);
Milton T. Tormey, Los Altos, CA (US);
Anthony Watts Vastola, Pacific Grove, CA (US);
James M. Barbera, Palo Alto, CA (US);
Price B. Terzis, Los Altos Hills, CA (US)

3,418,552	A	12/1968	Holmes
D237,718	S	11/1975	Bosich et al.
4,158,102	A	6/1979	Bright
D270,831	S	10/1983	Jensen
D290,599	S	6/1987	Wyatt
D299,821	S	2/1989	Dively
D314,182	S	1/1991	Moerman
D354,739	S	1/1995	Durham
5,461,299	A	10/1995	Bruni
D371,111	S	6/1996	Jones
D434,001	S	11/2000	Sayger
6,459,234	B2	10/2002	Kajiura
6,844,494	B1	1/2005	Nevins
D517,011	S	3/2006	Burke
D534,869	S	1/2007	Stekelenburg
D597,937	S	8/2009	Haw et al.
D601,495	S	10/2009	Shum et al.
D601,496	S	10/2009	Shum et al.
D608,731	S	1/2010	Amit
D613,683	S	4/2010	Baxter et al.
D618,168	S	6/2010	Baxter et al.
D626,063	S	10/2010	Cutter et al.
D626,064	S	10/2010	Cutter et al.
D626,065	S	10/2010	Cutter et al.
D628,960	S	12/2010	Shimizu et al.
D629,747	S	12/2010	Rajakaruna
D632,645	S	2/2011	Blain
D634,267	S	3/2011	Blain
D635,510	S	4/2011	Inskeep
D641,694	S	7/2011	Akahori et al.
D642,521	S	8/2011	Markowitz
D646,631	S	10/2011	Gotou et al.
D647,053	S	10/2011	Gotou et al.
D652,791	S	1/2012	Petrie et al.
D654,430	S	2/2012	Demers et al.
D654,857	S	2/2012	Salazar et al.
D654,858	S	2/2012	Salazar et al.
D654,860	S	2/2012	Holthusen
D655,242	S	3/2012	Holthusen
D659,090	S	5/2012	Deroo et al.
D659,635	S	5/2012	Hou et al.
D660,791	S	5/2012	Murata et al.
D662,045	S	6/2012	Gotou et al.
D664,086	S	7/2012	Chin-Ho Kim et al.
D664,087	S	7/2012	Chin-Ho Kim et al.
D664,088	S	7/2012	Chin-Ho Kim et al.
D664,089	S	7/2012	Chin-Ho Kim et al.
D664,500	S	7/2012	Degn
D664,918	S	8/2012	Brandys et al.

(73) Assignee: **CHARGEPOINT, INC.**, Campbell, CA (US)

(**) Term: **14 Years**

(21) Appl. No.: **29/513,524**

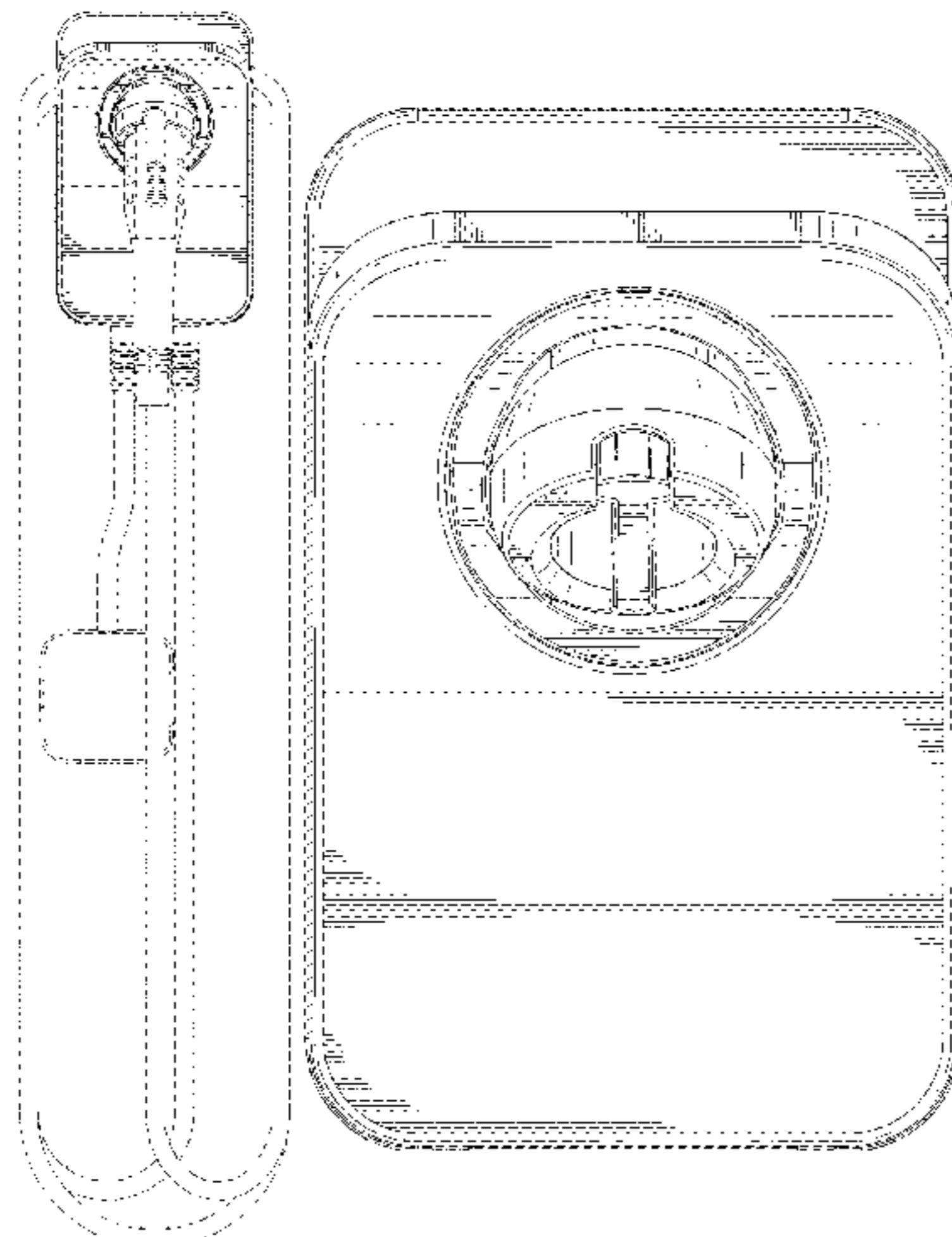
(22) Filed: **Dec. 31, 2014**

(51) **LOC (12) Cl.** **13-02**

(52) **U.S. Cl.**
USPC **D13/107**

(58) **Field of Classification Search**
USPC D13/107-110, 118, 119, 133, 144, 184;
D14/251, 253, 432, 434; 320/107-115
CPC Y02E 60/12; Y02T 90/14; Y02T 90/122;
Y02T 90/128; Y02T 90/163; H02J 7/025;
H02J 7/042; H02J 7/044; H02J 7/0003;
H02J 7/0027; H02J 7/0013; H02J 7/0054;
H02J 7/00; H02J 2001/008; H02J 3/32;
H02J 3/008; H01F 38/14; H01R 13/6675;
H01M 2/1022; H01M 2/1055; H01M
10/44; H01M 10/46; H01M 10/425; B60L
11/182; B60L 11/1809; B60L 11/1861;
B60R 16/03

See application file for complete search history.



US D892,725 S

Page 2

D665,344 S	8/2012	Petrie et al.	
D665,733 S	8/2012	Petrie et al.	
D669,026 S	10/2012	Oda et al.	
D669,428 S	10/2012	Li et al.	
D671,068 S	11/2012	Gieniec	
D672,714 S	12/2012	Brandys et al.	
D674,335 S	1/2013	Yamashita et al.	
D675,153 S	1/2013	Bianco	
D676,376 S	2/2013	Yamada et al.	
D683,306 S	5/2013	Lecoanet et al.	
D683,307 S	5/2013	Lecoanet et al.	
D683,308 S	5/2013	Lecoanet et al.	
D683,697 S	6/2013	Lecoanet et al.	
D688,199 S	8/2013	Behar et al.	
8,506,315 B2	8/2013	Canedo et al.	
D692,374 S	10/2013	Choi	
8,558,504 B2	10/2013	Brown et al.	
D698,309 S	1/2014	Moribe et al.	
8,686,683 B2 *	4/2014	Caskey	H01R 13/6675 320/107
8,710,372 B2	4/2014	Karner	
D706,213 S	6/2014	Titus	
D709,827 S	7/2014	Kang et al.	
D710,799 S	8/2014	Chin-Ho Kim et al.	
D711,313 S	8/2014	Chin-Ho Kim et al.	
D711,315 S	8/2014	Chin-Ho Kim et al.	
D720,285 S	12/2014	Gilomen	
D729,158 S *	5/2015	Gilomen	D13/107
D730,822 S *	6/2015	Chin-Ho Kim	D13/107
D733,047 S	6/2015	Shin	
9,054,539 B2	6/2015	Muller et al.	
D733,647 S *	7/2015	Farrell	D13/107
D734,252 S *	7/2015	Behar	D13/107
9,139,102 B2	9/2015	DeBoer et al.	
9,148,030 B1	9/2015	Johnson	
D742,820 S *	11/2015	Behar	D13/107
D749,503 S *	2/2016	Ferguson	D13/107
2001/0003416 A1	6/2001	Kajiura	
2010/0013433 A1	1/2010	Baxter et al.	
2010/0013434 A1	1/2010	Taylor-Haw et al.	
2010/0320966 A1	12/2010	Baxter et al.	
2011/0037429 A1	2/2011	Deboer et al.	
2011/0140656 A1	6/2011	Starr et al.	
2011/0145141 A1	6/2011	Blain	
2011/0169447 A1	7/2011	Brown et al.	
2011/0174875 A1	7/2011	Wurzer	
2011/0316479 A1	12/2011	Baxter et al.	
2012/0206100 A1	8/2012	Brown et al.	
2012/0212180 A1	8/2012	Iida et al.	
2013/0020990 A1 *	1/2013	DeBoer	B60L 11/1824 320/109
2013/0021162 A1 *	1/2013	DeBoer	B60L 11/1824 340/635
2013/0169227 A1	7/2013	Tremblay et al.	
2013/0175083 A1 *	7/2013	Bonwit	B60L 11/1818 174/520
2013/0181670 A1	7/2013	Bonwit et al.	
2013/0181674 A1	7/2013	Tremblay et al.	
2013/0187599 A1	7/2013	Ranga et al.	
2013/0207606 A1	8/2013	Ranga et al.	
2013/0335021 A1	12/2013	Meier	
2014/0028255 A1	1/2014	Brimacombe	
2014/0055083 A1 *	2/2014	Moribe	H02J 7/0042 320/107
2014/0111158 A1	4/2014	Kinomura et al.	
2014/0117144 A1	5/2014	Kinomura et al.	
2014/0266017 A1	9/2014	Hamada et al.	
2015/0028811 A1	1/2015	Krammer et al.	
2015/0042276 A1 *	2/2015	Biedrzycki	B60L 11/1809 320/109

FOREIGN PATENT DOCUMENTS

CH	133540 A	2/2007
CN	20113008322.8	11/2011
EM	001957606-002	1/2012
EM	002591040-0001	12/2014

JP	1424600 S	10/2012
JP	1434802 S	2/2013
JP	1503619 S	7/2014

OTHER PUBLICATIONS

Abandonment from U.S. Appl. No. 29/340,436, dated Mar. 5, 2010, 1 pages.

Abandonment from U.S. Appl. No. 29/450,162, dated Oct. 31, 2013, 1 pages.

Abandonment from U.S. Appl. No. 29/450,166, dated Oct. 15, 2013, 1 pages.

Abandonment from U.S. Appl. No. 29/450,172, dated Oct. 15, 2013, 1 pages.

Abandonment from U.S. Appl. No. 29/450,176, dated Oct. 15, 2013, 1 pages.

Abandonment from U.S. Appl. No. 29/460,142, dated Apr. 22, 2014, 1 pages.

Abandonment from U.S. Appl. No. 29/460,143, dated Apr. 4, 2014, 1 pages.

Abandonment from U.S. Appl. No. 29/466,400, dated Feb. 28, 2014, 1 pages.

Abandonment from U.S. Appl. No. 29/466,792, dated Apr. 4, 2014, 1 pages.

Abandonment from U.S. Appl. No. 29/466,901, dated Feb. 28, 2014, 1 pages.

Elektrobay Technical Specifications, Elektromotive LTD, The Sussex Innovation Centre, United Kingdom, 2008, 1 page.

Notice of Allowance from U.S. Appl. No. 29/340,435, dated Dec. 3, 2009, 5 pages.

Notice of Allowance from U.S. Appl. No. 29/340,436, dated Dec. 1, 2009, 7 pages.

Notice of Allowance from U.S. Appl. No. 29/397,168, dated Mar. 23, 2012, 8 pages.

Notice of Allowance from U.S. Appl. No. 29/397,169, dated Mar. 26, 2012, 8 pages.

Notice of Allowance from U.S. Appl. No. 29/397,170, dated Mar. 20, 2012, 8 pages.

Notice of Allowance from U.S. Appl. No. 29/397,171, dated Mar. 26, 2012, 10 pages.

Notice of Allowance from U.S. Appl. No. 29/450,162, dated Jul. 5, 2013, 8 pages.

Notice of Allowance from U.S. Appl. No. 29/450,166, dated Jun. 12, 2013, 3 pages.

Notice of Allowance from U.S. Appl. No. 29/450,172, dated Jun. 6, 2013, 8 pages.

Notice of Allowance from U.S. Appl. No. 29/450,176, dated Jun. 11, 2013, 3 pages.

Notice of Allowance from U.S. Appl. No. 29/460,142, dated Jan. 3, 2014, 9 pages.

Notice of Allowance from U.S. Appl. No. 29/460,143, dated Dec. 24, 2013, 9 pages.

Notice of Allowance from U.S. Appl. No. 29/466,400, dated Nov. 6, 2013, 11 pages.

Notice of Allowance from U.S. Appl. No. 29/466,792, dated Dec. 19, 2013, 12 pages.

Notice of Allowance from U.S. Appl. No. 29/466,901, dated Nov. 6, 2013, 11 pages.

Notice of Allowance from U.S. Appl. No. 29/469,093, dated Mar. 31, 2014, 9 pages.

Notice of Allowance from U.S. Appl. No. 29/481,527, dated Mar. 28, 2014, 10 pages.

Notice of Allowance from U.S. Appl. No. 29/481,533, dated Mar. 28, 2014, 10 pages.

Notice of Allowance from U.S. Appl. No. 29/485,528, dated Feb. 4, 2015, 12 pages.

Notice of Allowance from U.S. Appl. No. 29/485,885, dated Jan. 20, 2015, 9 pages.

Notice of Allowance from U.S. Appl. No. 29/485,887, dated Jan. 16, 2015, 9 pages.

U.S. Design Appl. No. 29/450,162, filed Mar. 15 2013, Chin Ho Kim et al., "Dual Electric Vehicle Charging Station," 9 pages.

U.S. Design Appl. No. 29/450,166, filed Mar. 15 2013, Chin Ho Kim et al., "Dual Electric Vehicle Charging Station," 9 pages.
U.S. Design Appl. No. 29/450,172, filed Mar. 15 2013, Chin Ho Kim et al., "Dual Electric Vehicle Charging Station," 9 pages.
U.S. Design Application No. 29/450,176, filed Mar. 15 2013, Chin Ho Kim et al., "Dual Electric Vehicle Charging Station," 9 pages.
U.S. Appl. No. 29/460,142, filed Jul. 8 2013, Chin Ho Kim et al., "Dual Electric Vehicle Charging Station," 8 pages.
U.S. Design Appl. No. 29/460,143, filed Jul. 8 2013, Chin Ho Kim et al., "Dual Electric Vehicle Charging Station," 8 pages.

* cited by examiner

Primary Examiner — Rosemary K Tarcza

Assistant Examiner — Christy Nemeth

(74) *Attorney, Agent, or Firm* — Nicholson De Vos
Webster & Elliott LLP

(57) **CLAIM**

The ornamental design for an electric vehicle charging station, as shown and described.

DESCRIPTION

FIG. 1 shows a perspective view of an electric vehicle charging station in a first position;
FIG. 2 shows a front view of the electric vehicle charging station of FIG. 1 in the first position;
FIG. 3 shows a back view of the electric vehicle charging station of FIG. 1 in the first position;
FIG. 4 shows a right view of the electric vehicle charging station of FIG. 1 in the first position;
FIG. 5 shows a left view of the electric vehicle charging station of FIG. 1 in the first position;
FIG. 6 shows a top view of the electric vehicle charging station of FIG. 1 in the first position;
FIG. 7 shows a bottom view of the electric vehicle charging station of FIG. 1 in the first position;
FIG. 8 shows a perspective view of the electric vehicle charging station of FIG. 1 without certain broken lines in the first position;

FIG. 9 shows a front view of the electric vehicle charging station of FIG. 1 without certain broken lines in the first position;

FIG. 10 shows a back view of the electric vehicle charging station of FIG. 1 without certain broken lines in the first position;

FIG. 11 shows a right view of the electric vehicle charging station of FIG. 1 without certain broken lines in the first position;

FIG. 12 shows a left view of the electric vehicle charging station of FIG. 1 without certain broken lines in the first position;

FIG. 13 shows a top view of the electric vehicle charging station of FIG. 1 without certain broken lines in the first position;

FIG. 14 shows a bottom view of the electric vehicle charging station of FIG. 1 without certain broken lines in the first position;

FIG. 15 shows a perspective view of the electric vehicle charging station of FIG. 1 without certain broken lines in a second position;

FIG. 16 shows a right view of the electric vehicle charging station of FIG. 1 without certain broken lines in the second position;

FIG. 17 shows a left view of the electric vehicle charging station of FIG. 1 without certain broken lines in the second position;

FIG. 18 shows a perspective view of the electric vehicle charging station of FIG. 1 without certain broken lines in a third position;

FIG. 19 shows a right view of the electric vehicle charging station of FIG. 1 without certain broken lines in the third position; and,

FIG. 20 shows a left view of the electric vehicle charging station of FIG. 1 without certain broken lines in the third position.

The broken lines illustrate environmental structure and form no part of the claimed design.

1 Claim, 16 Drawing Sheets

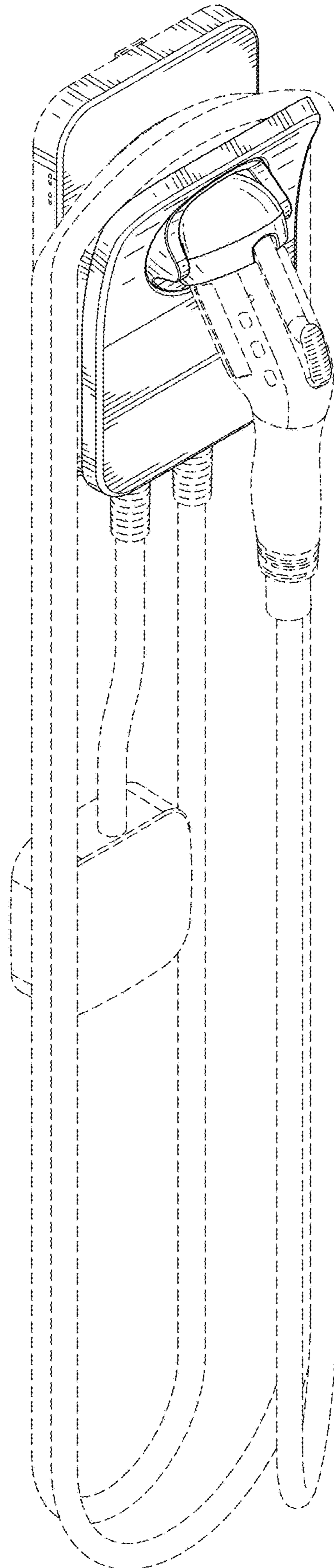


FIG. 1

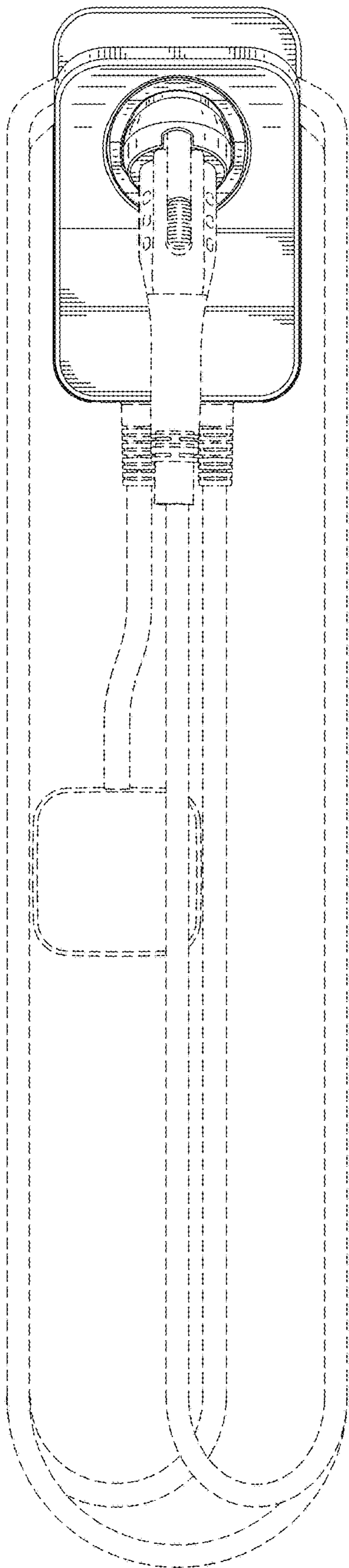


FIG. 2

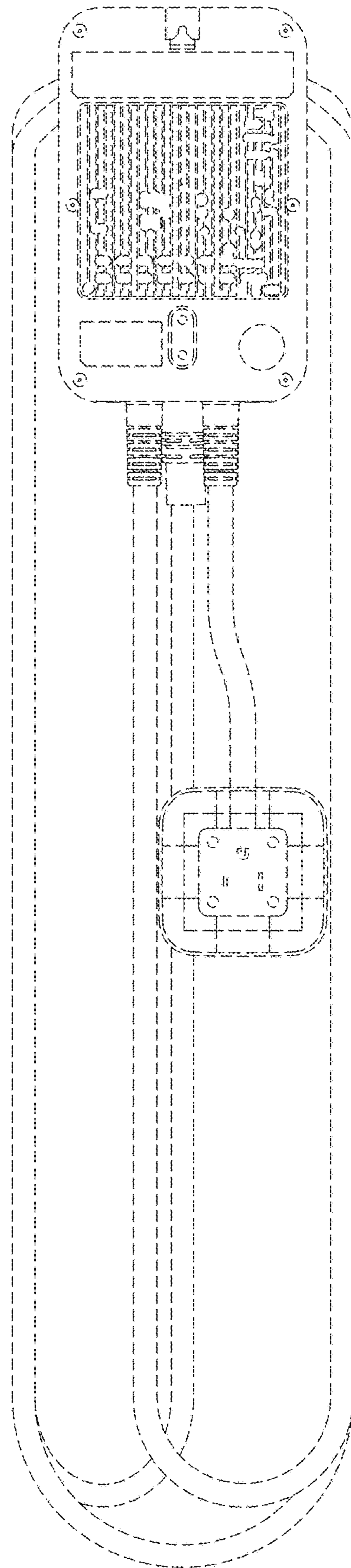


FIG. 3

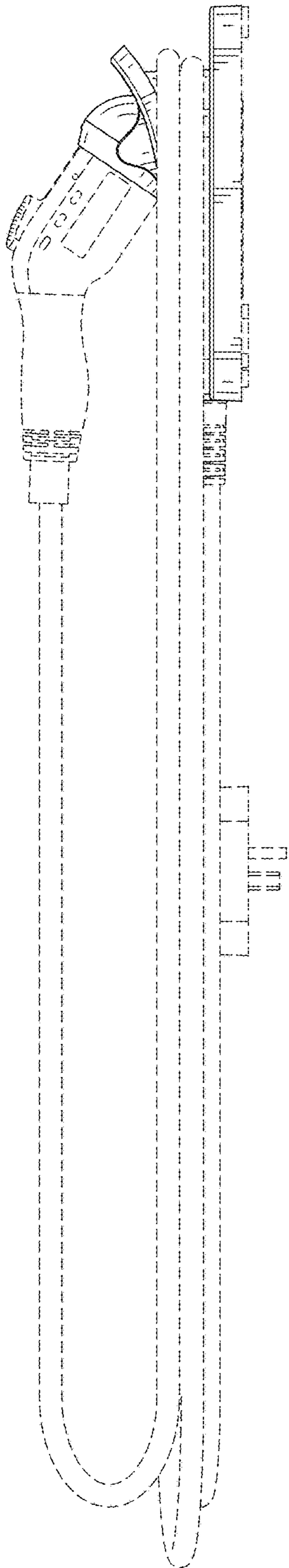


FIG. 4

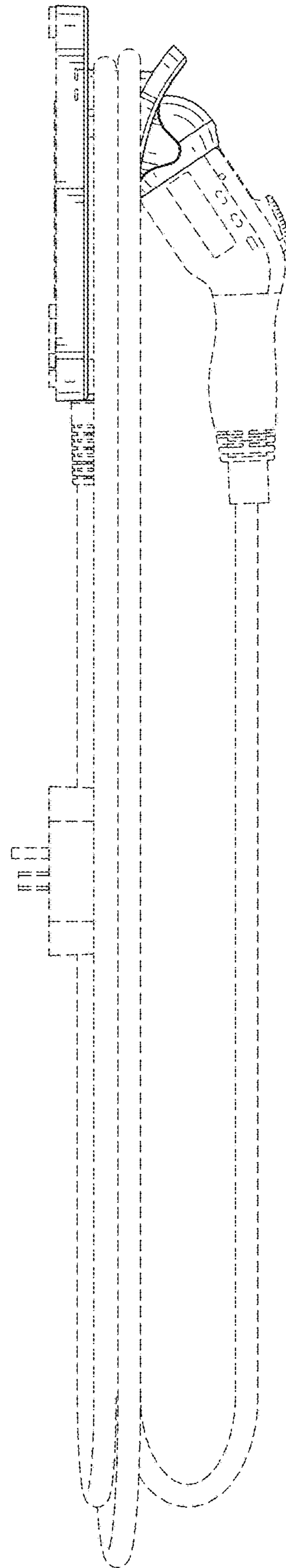


FIG. 5

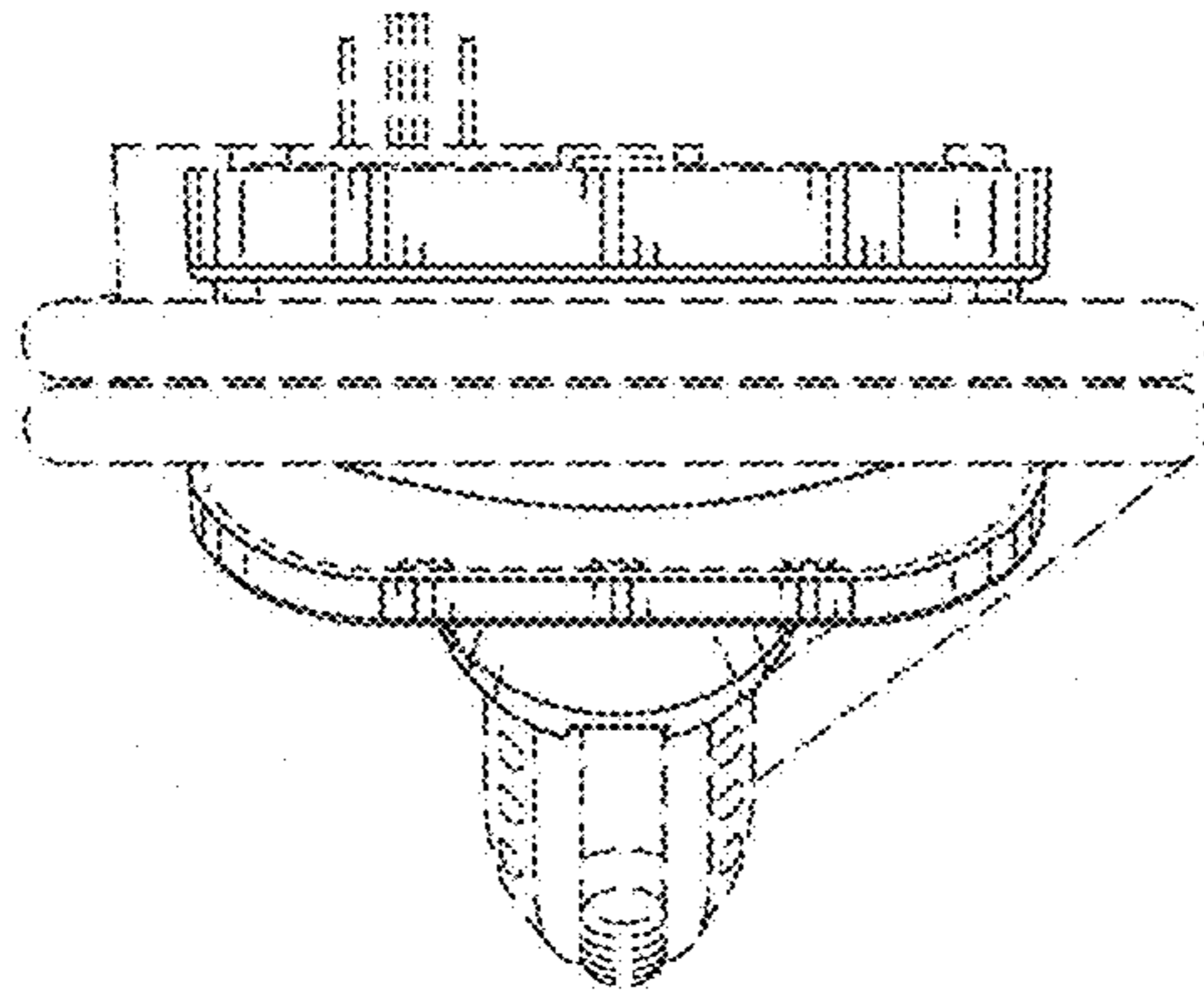


FIG. 6

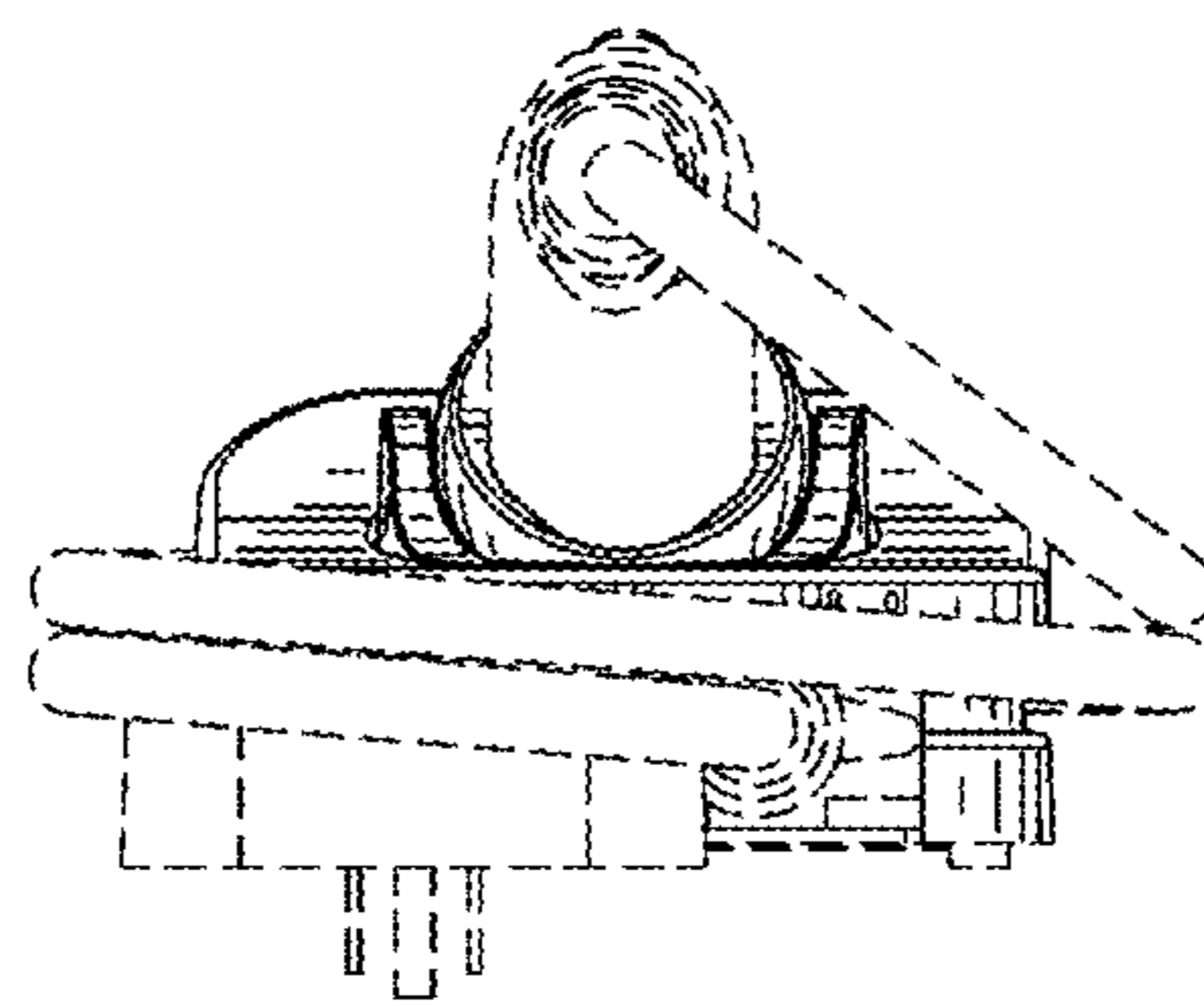


FIG. 7

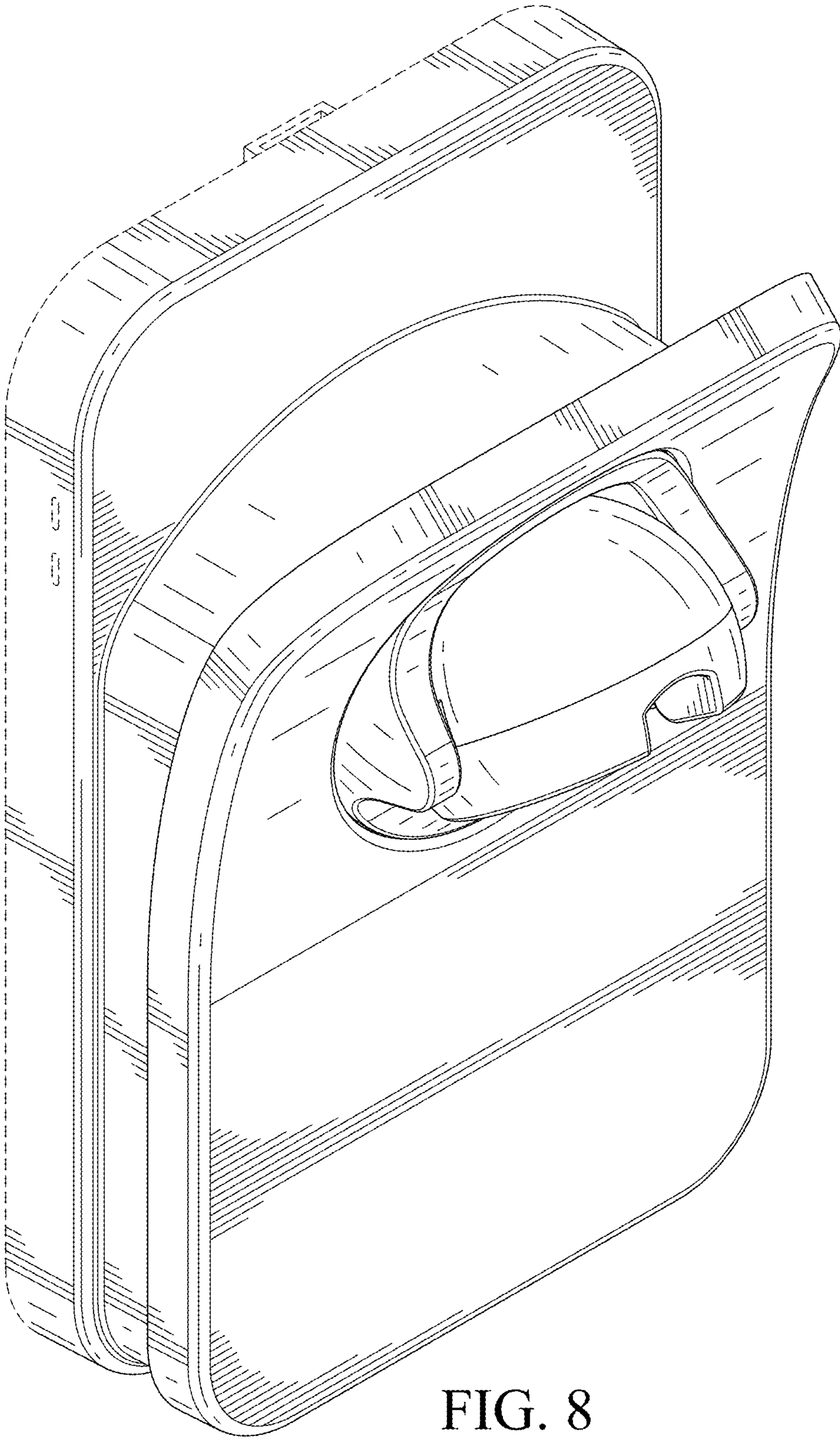


FIG. 8

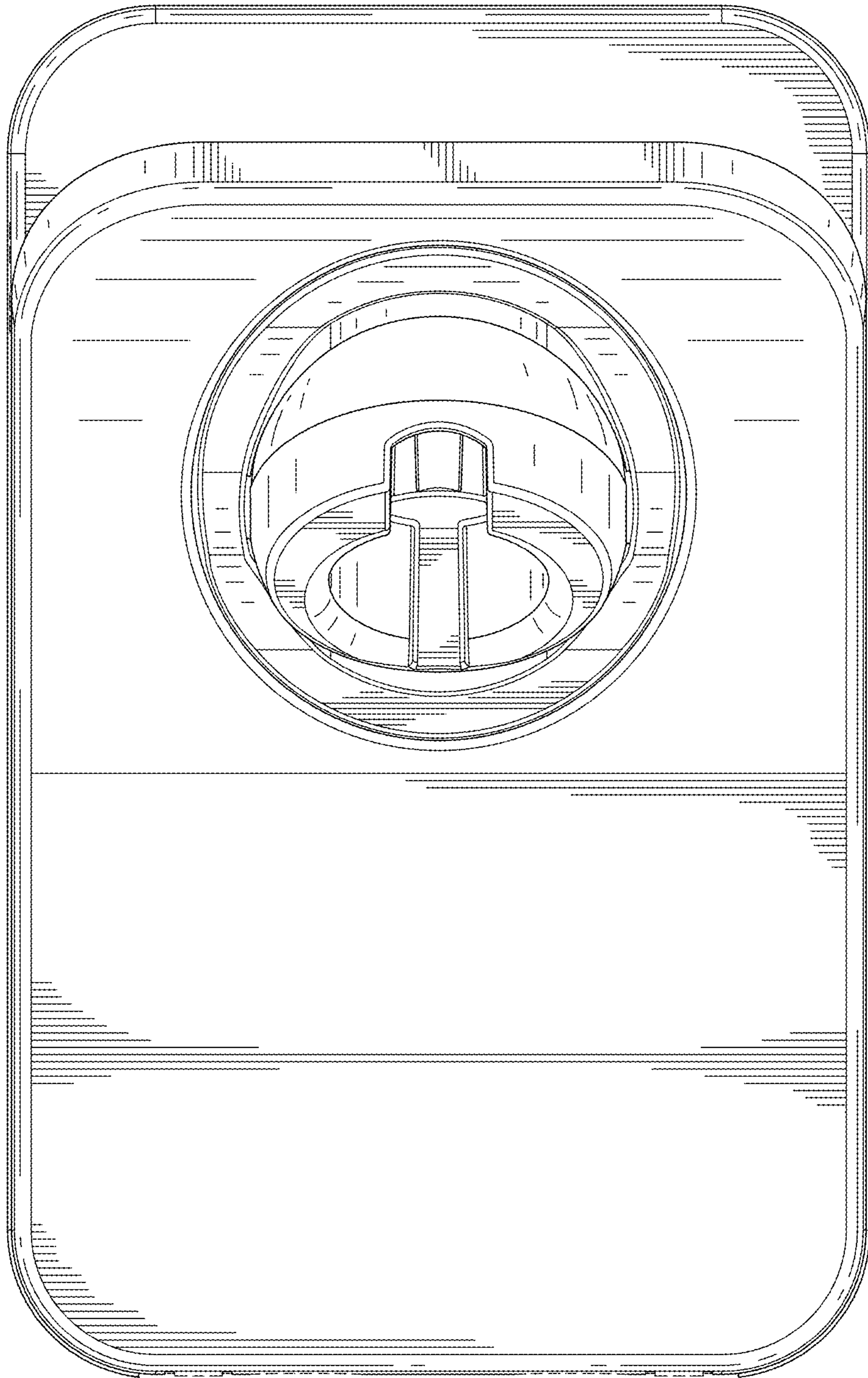


FIG. 9

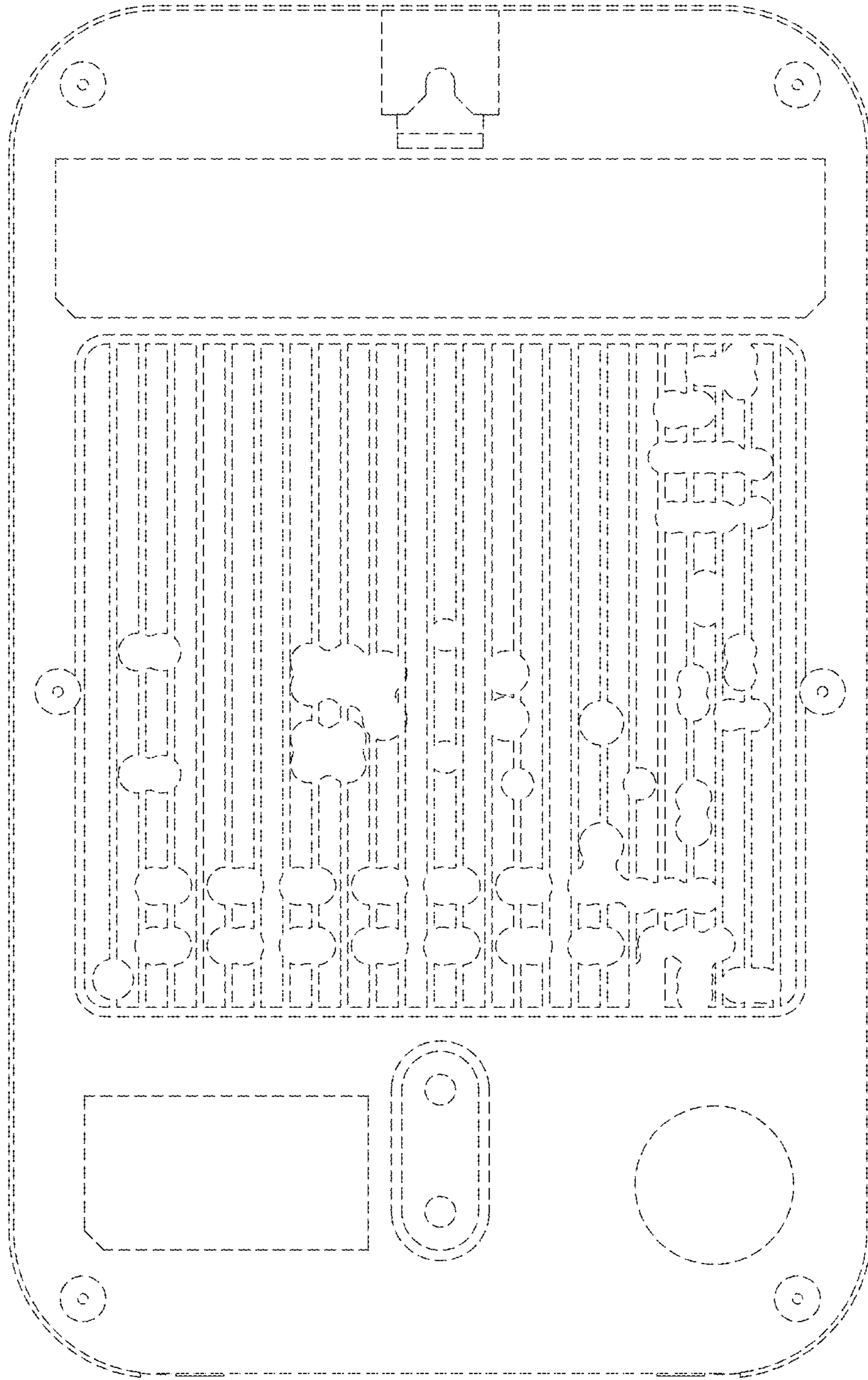


FIG. 10

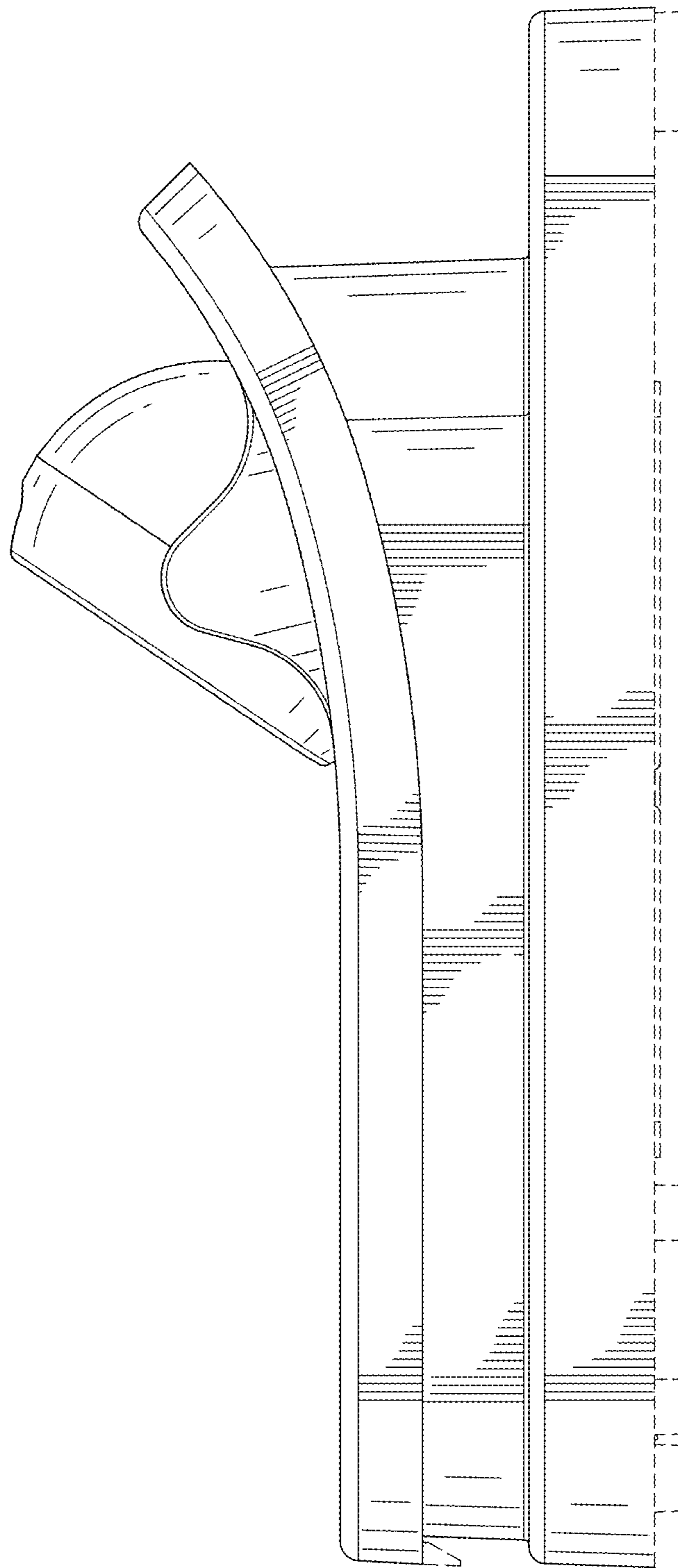


FIG. 11

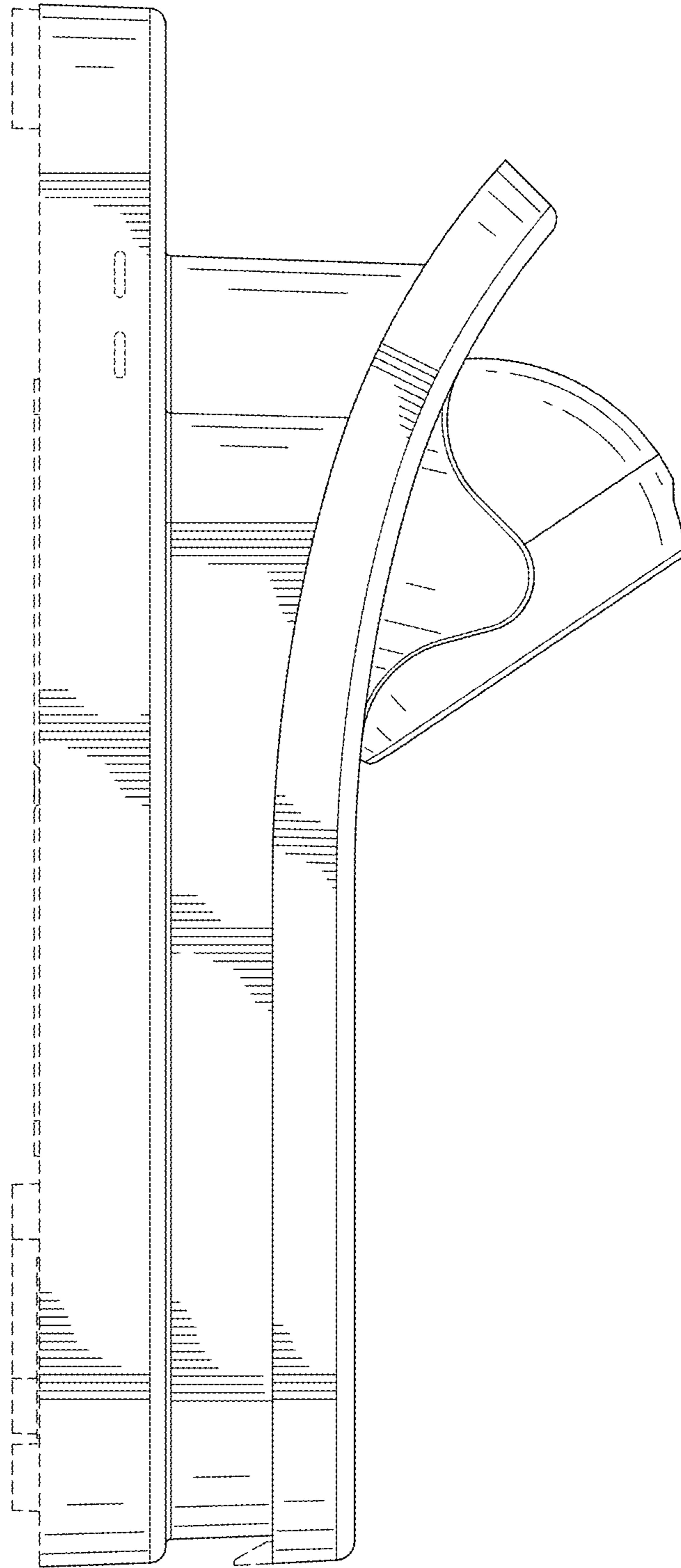


FIG. 12

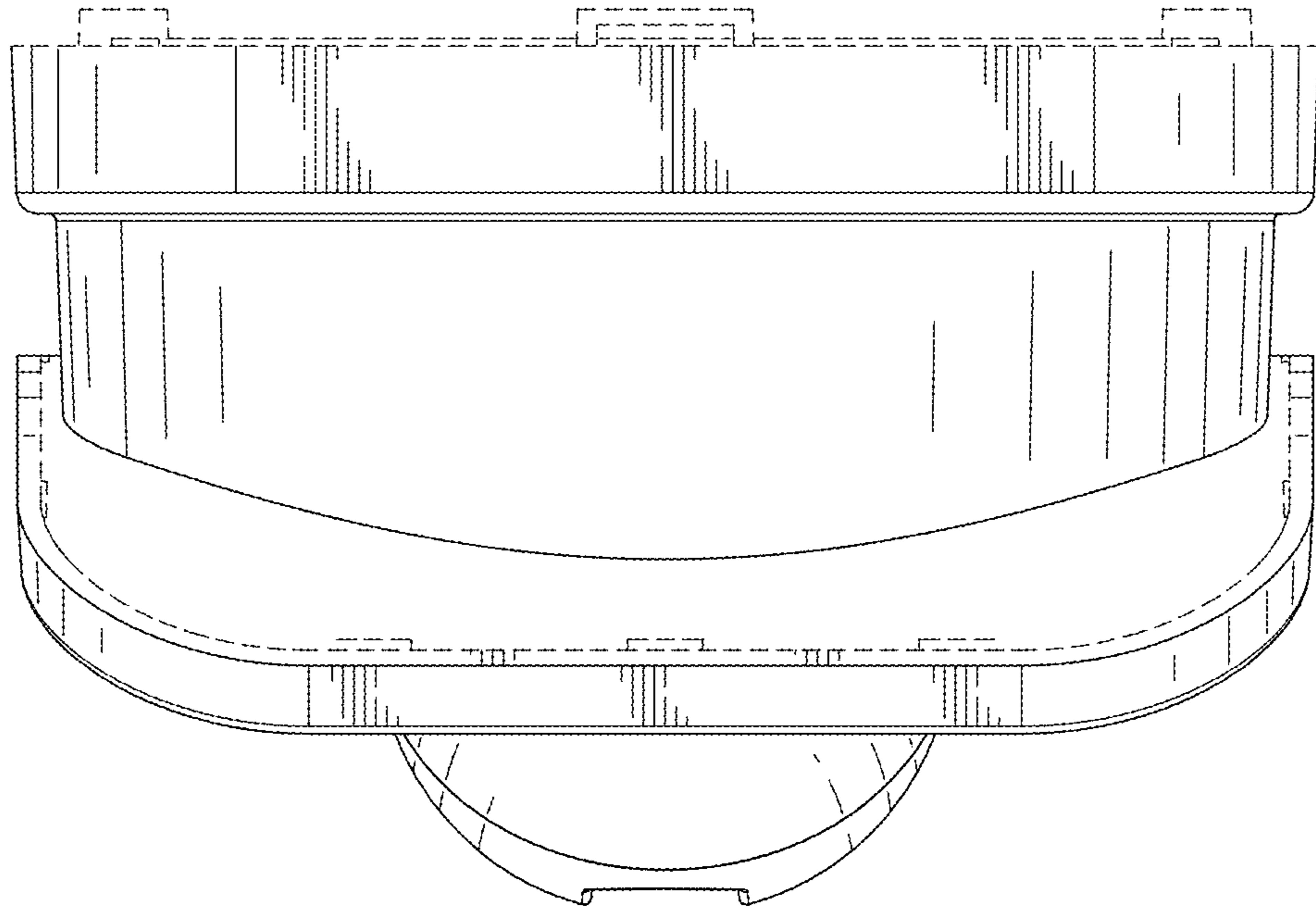


FIG. 13

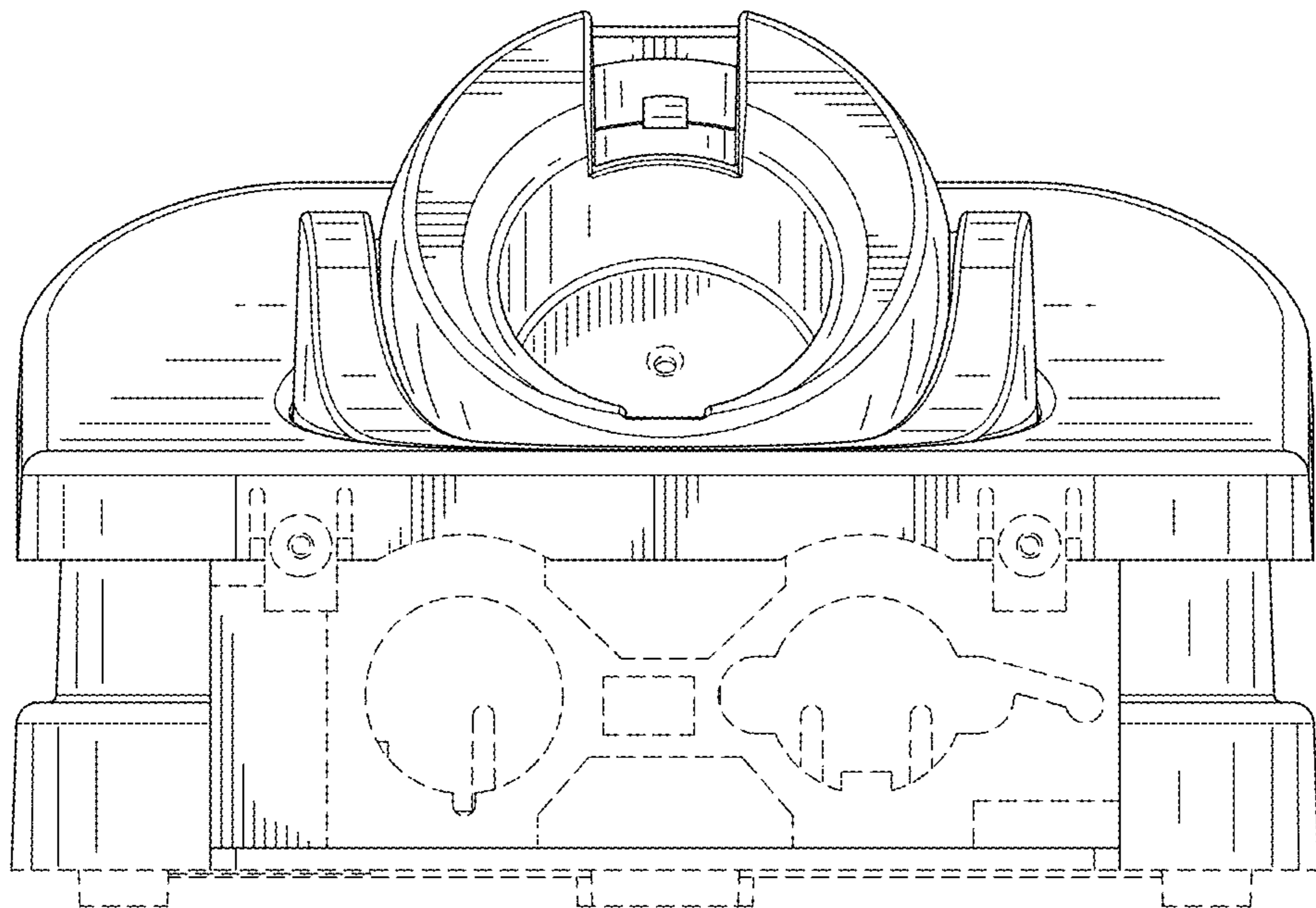


FIG. 14

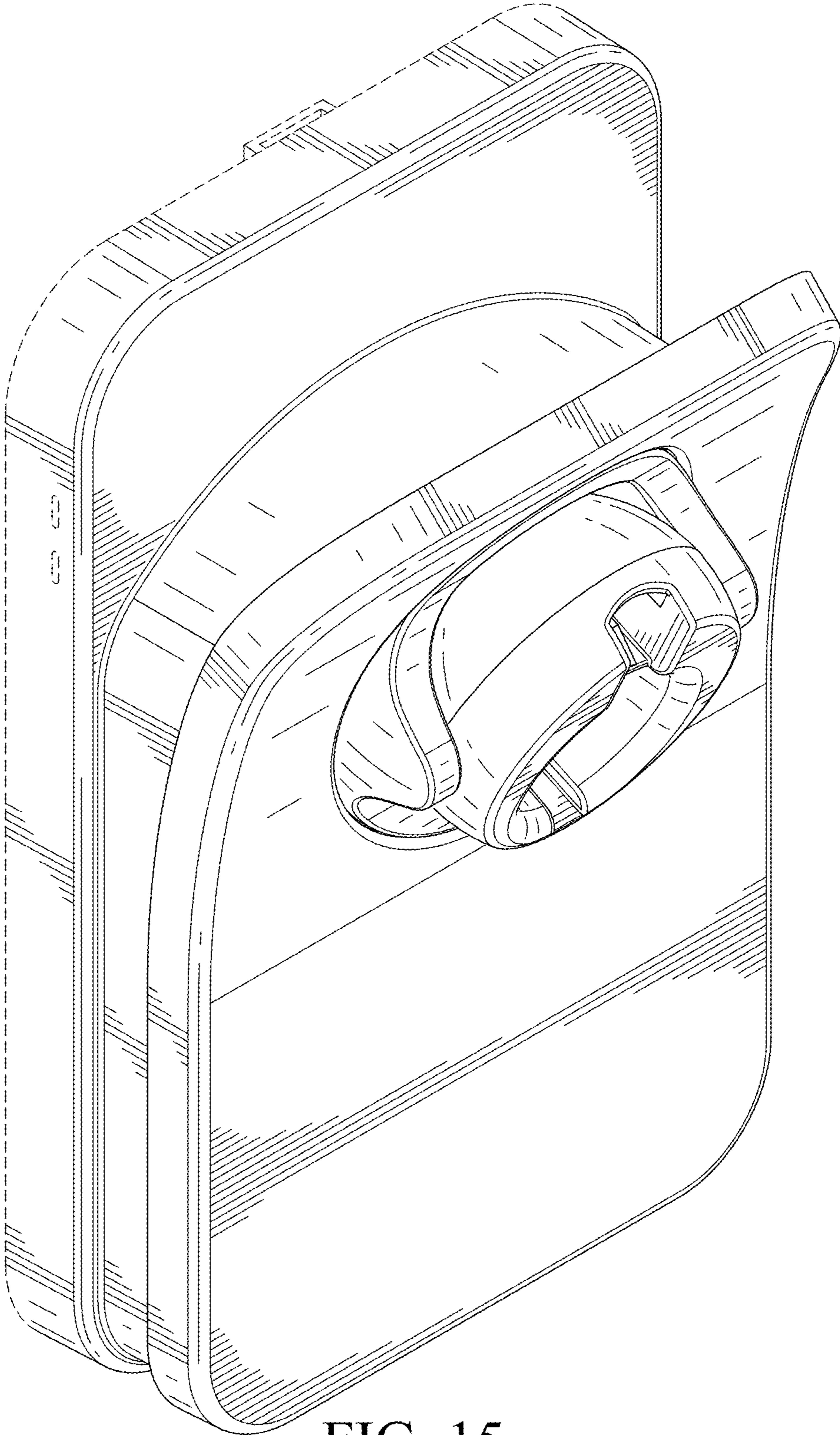


FIG. 15

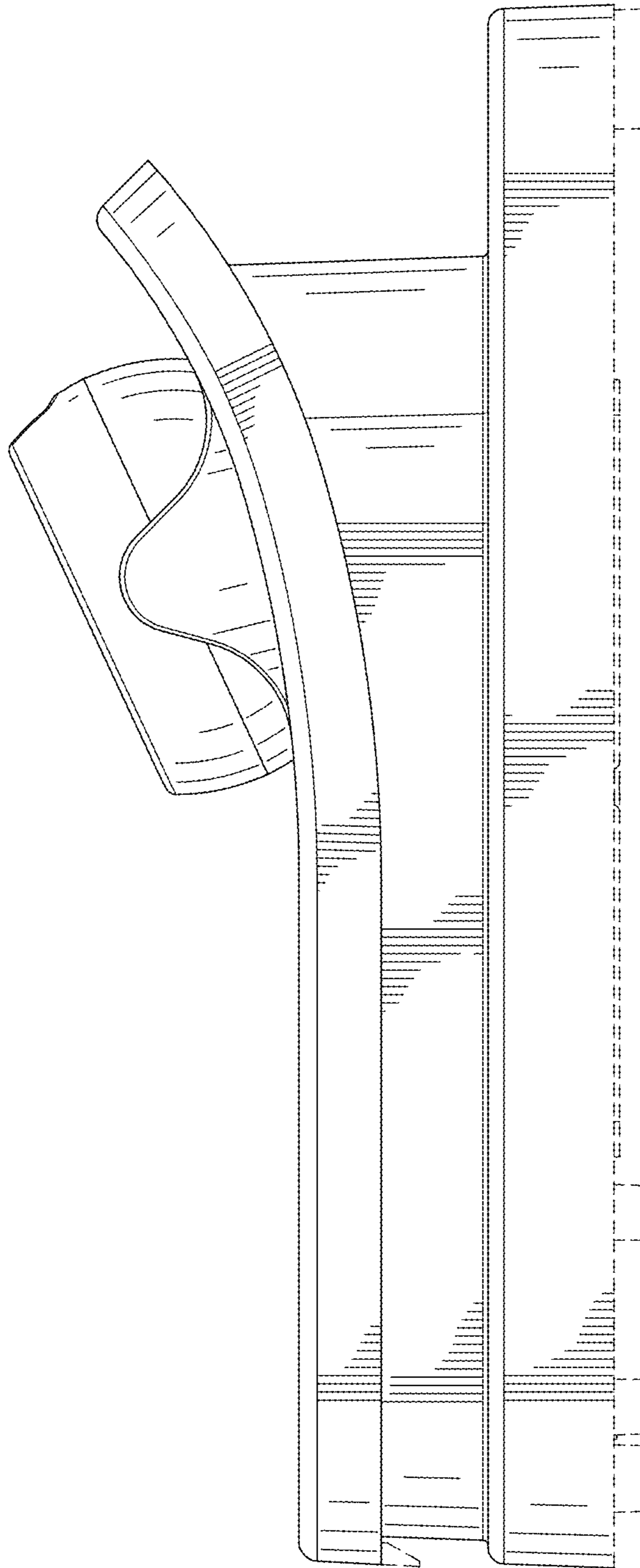


FIG. 16

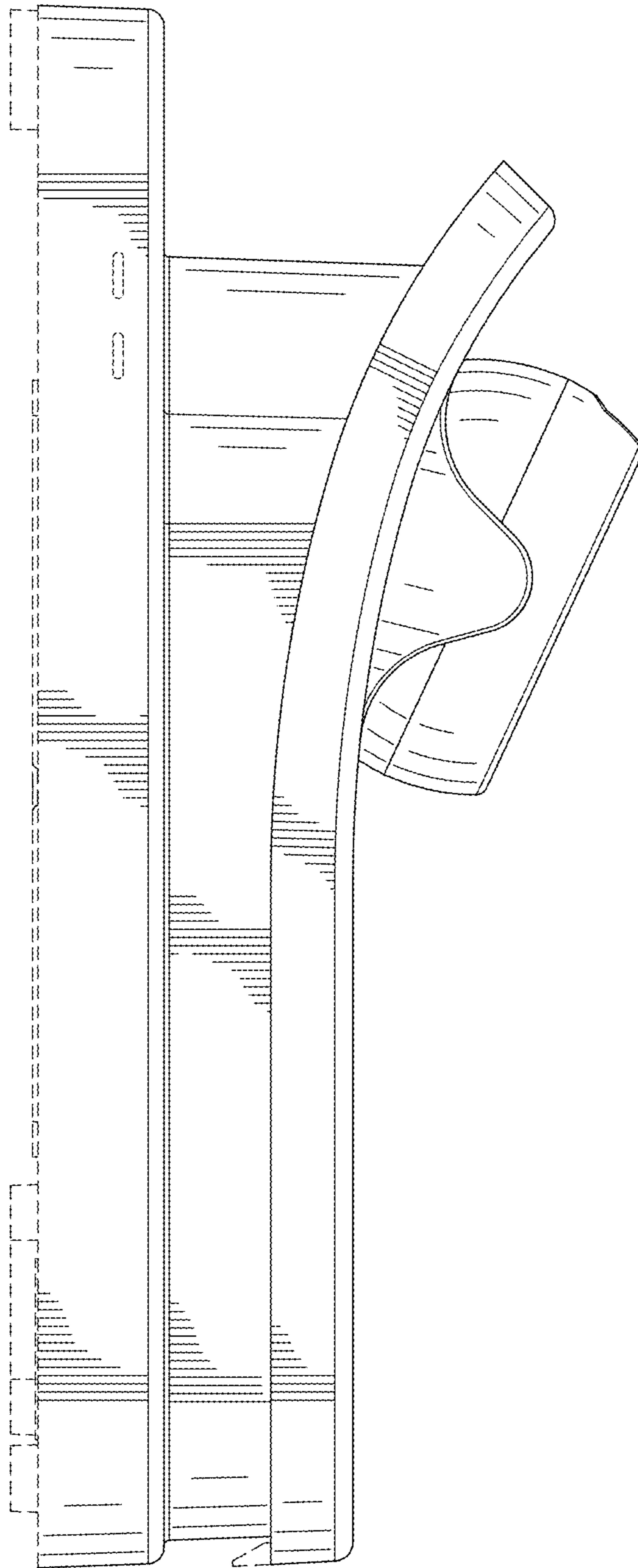


FIG. 17

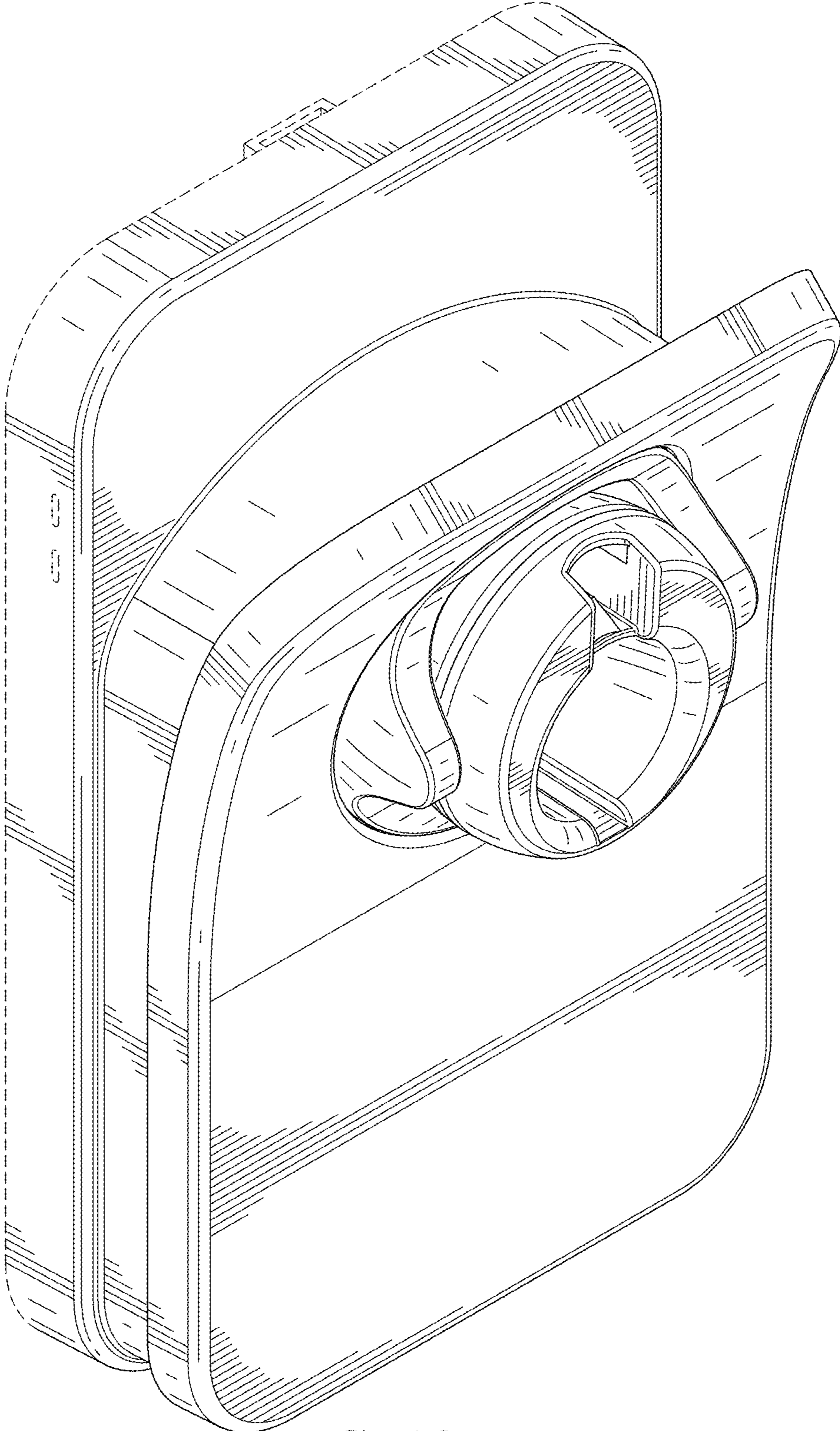


FIG. 18

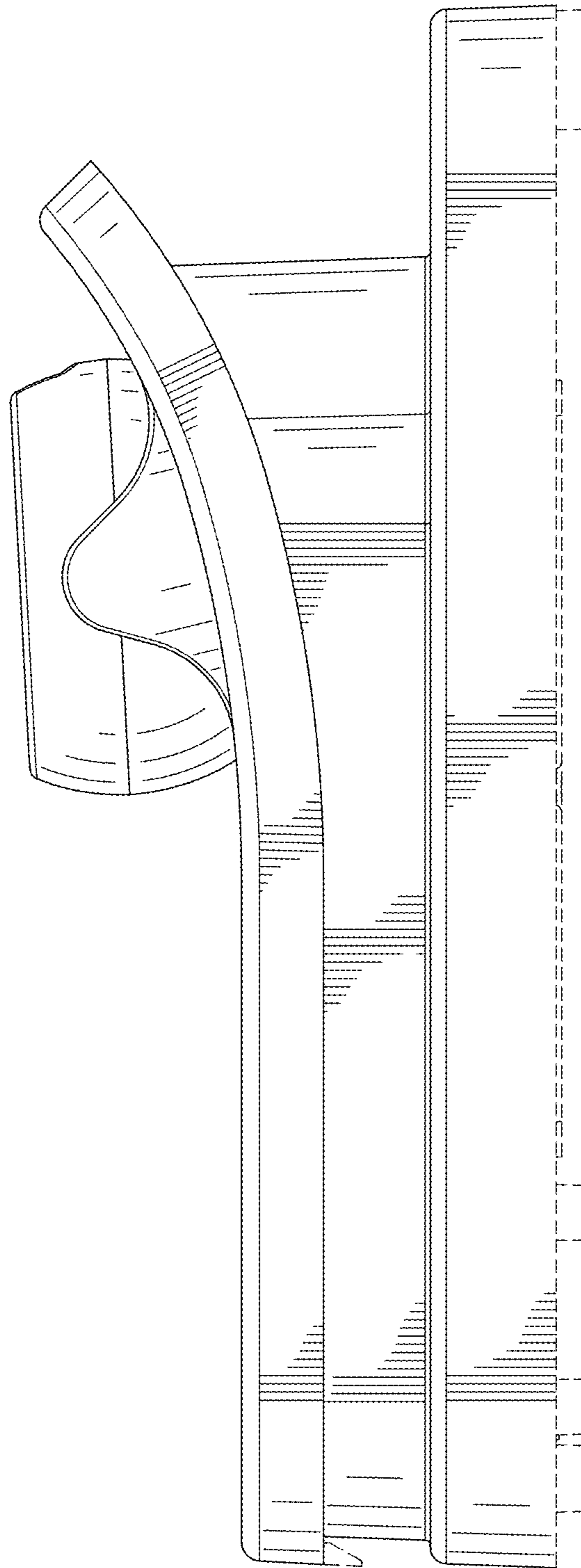


FIG. 19

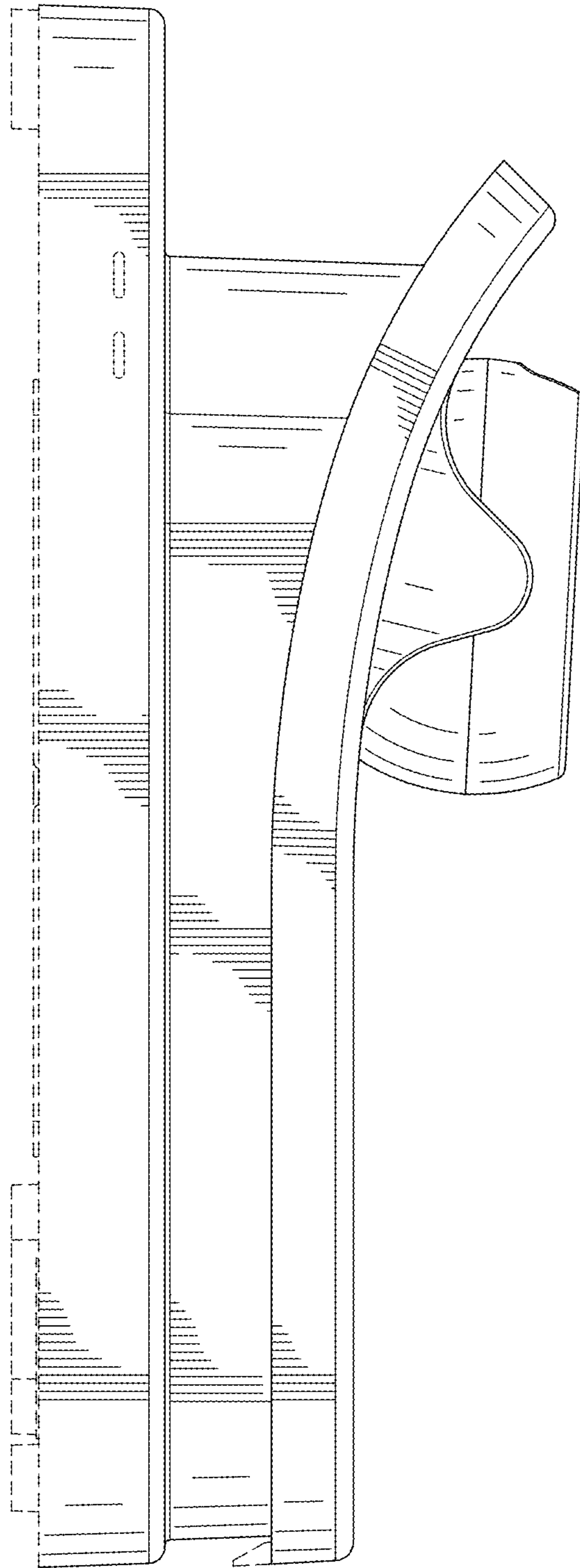


FIG. 20