



US00D892723S

(12) **United States Design Patent** (10) **Patent No.:** **US D892,723 S**  
**Ferguson** (45) **Date of Patent:** **\*\* \*Aug. 11, 2020**

(54) **COMBINATION BATTERY AND HOLDER ASSEMBLY**

- (71) Applicant: **RIVERPOINT MEDICAL, LLC**,  
Portland, OR (US)
- (72) Inventor: **John Thomas Ferguson**, Portland, OR  
(US)
- (73) Assignee: **RIVERPOINT MEDICAL, LLC**,  
Portland, OR (US)
- (\*) Notice: This patent is subject to a terminal disclaimer.
- (\*\*) Term: **15 Years**

- (21) Appl. No.: **29/632,592**
- (22) Filed: **Jan. 9, 2018**
- (51) **LOC (12) Cl.** ..... **13-02**
- (52) **U.S. Cl.**  
USPC ..... **D13/103; D13/108**
- (58) **Field of Classification Search**  
USPC .... D13/102-110, 139.8, 118-119, 184, 199;  
D14/356, 432  
CPC ..... Y02E 60/10; Y02E 60/12; Y02E 60/122;  
Y02E 60/124; Y02E 60/50; H01M 2/02;  
H01M 2/022; H01M 2/0202; H01M  
2/0207; H01M 2/0212; H01M 2/1061;  
H01M 2/1022; H01M 2/1055; H01M  
2/1066; H01M 2/105; H01M 2/20; H01M  
2/204; H01M 2/206; H01M 10/44; H01M  
10/46; H01M 10/465; H01M 10/482;  
H01M 2200/30; H01M 2250/30; H01M  
2250/40; H02J 7/00; H02J 7/0003; H02J  
7/0011; H02J 7/0013; H02J 7/0054; H02J  
7/0055; H02J 7/0057; H02J 2007/0062  
See application file for complete search history.

(56) **References Cited**

U.S. PATENT DOCUMENTS

D546,277 S *	7/2007	Andre	.....	D13/103
D686,155 S *	7/2013	Nguyen	.....	D13/103
D695,947 S *	12/2013	Jun	.....	D26/113
D700,136 S *	2/2014	Morris	.....	D13/103
D720,292 S *	12/2014	Buck	.....	D13/119
D722,956 S *	2/2015	Alima	.....	D13/103
D741,264 S *	10/2015	Vanbecelaere	.....	D13/120
D752,791 S *	3/2016	Ferguson	.....	D26/39
D757,646 S *	5/2016	Pearson	.....	D13/103
D762,564 S *	8/2016	Patton	.....	D13/103
D780,690 S *	3/2017	Clapper	.....	D13/108
D788,697 S *	6/2017	Verleur	.....	D13/103
9,707,707 B2	7/2017	Ferguson		
D807,291 S *	1/2018	Juds	.....	D13/110

(Continued)

*Primary Examiner* — Nathaniel D. Buckner  
(74) *Attorney, Agent, or Firm* — Timothy E. Siegel Patent Law, PLLC; Timothy E. Siegel

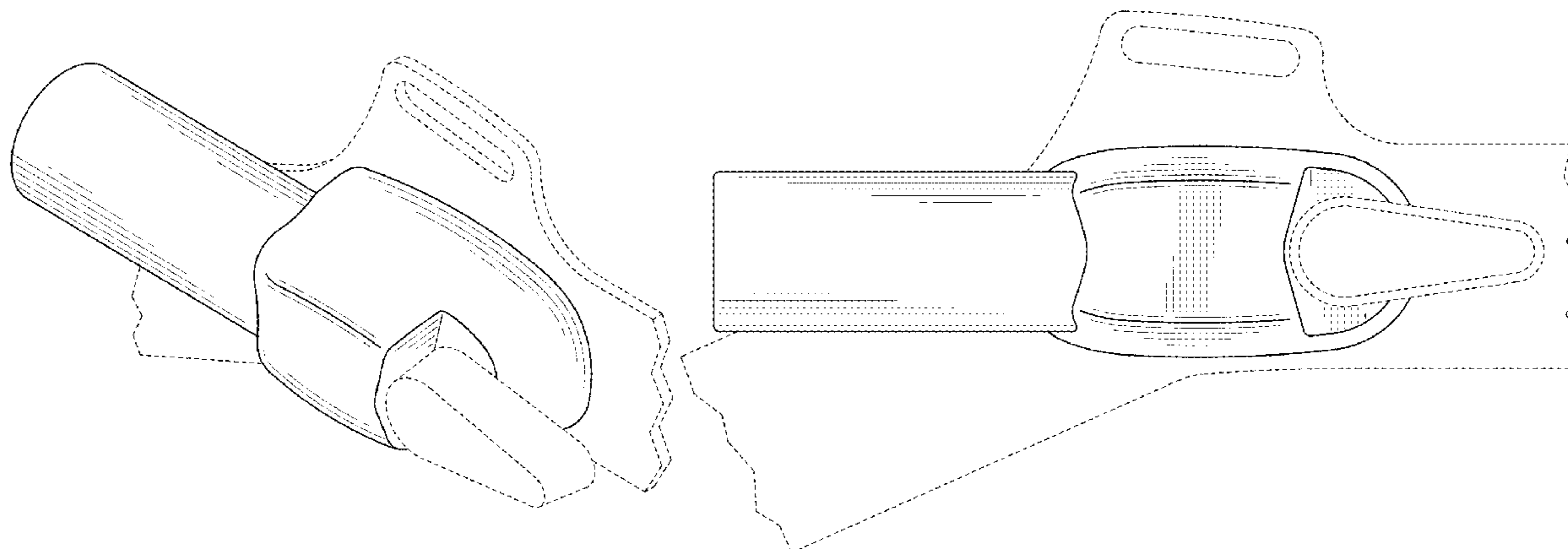
(57) **CLAIM**

The ornamental design for a combination battery and holder assembly, as shown and described.

**DESCRIPTION**

FIG. 1 is a perspective view of a combination battery and holder assembly showing my new design;  
FIG. 2 is a side view of the combination battery and holder assembly;  
FIG. 3 is a top view of the combination battery and holder assembly;  
FIG. 4 is a bottom view of the combination battery and holder assembly;  
FIG. 5 is a front view of the combination battery and holder assembly; and,  
FIG. 6 is a back view of the combination battery and holder assembly.  
The broken lines in the figures depict portions of the article which forms no part of the claimed design.

**1 Claim, 2 Drawing Sheets**



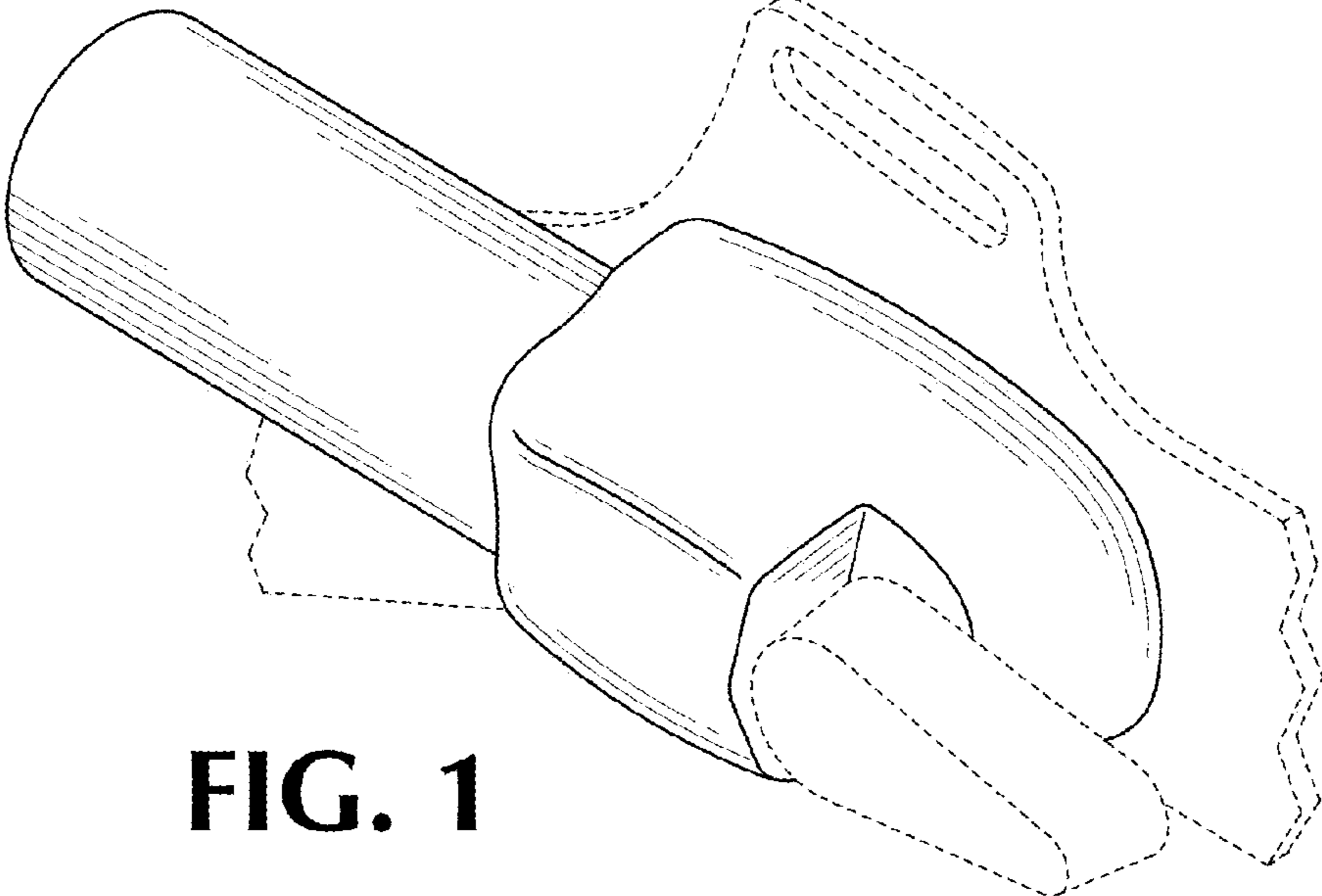
(56)

**References Cited**

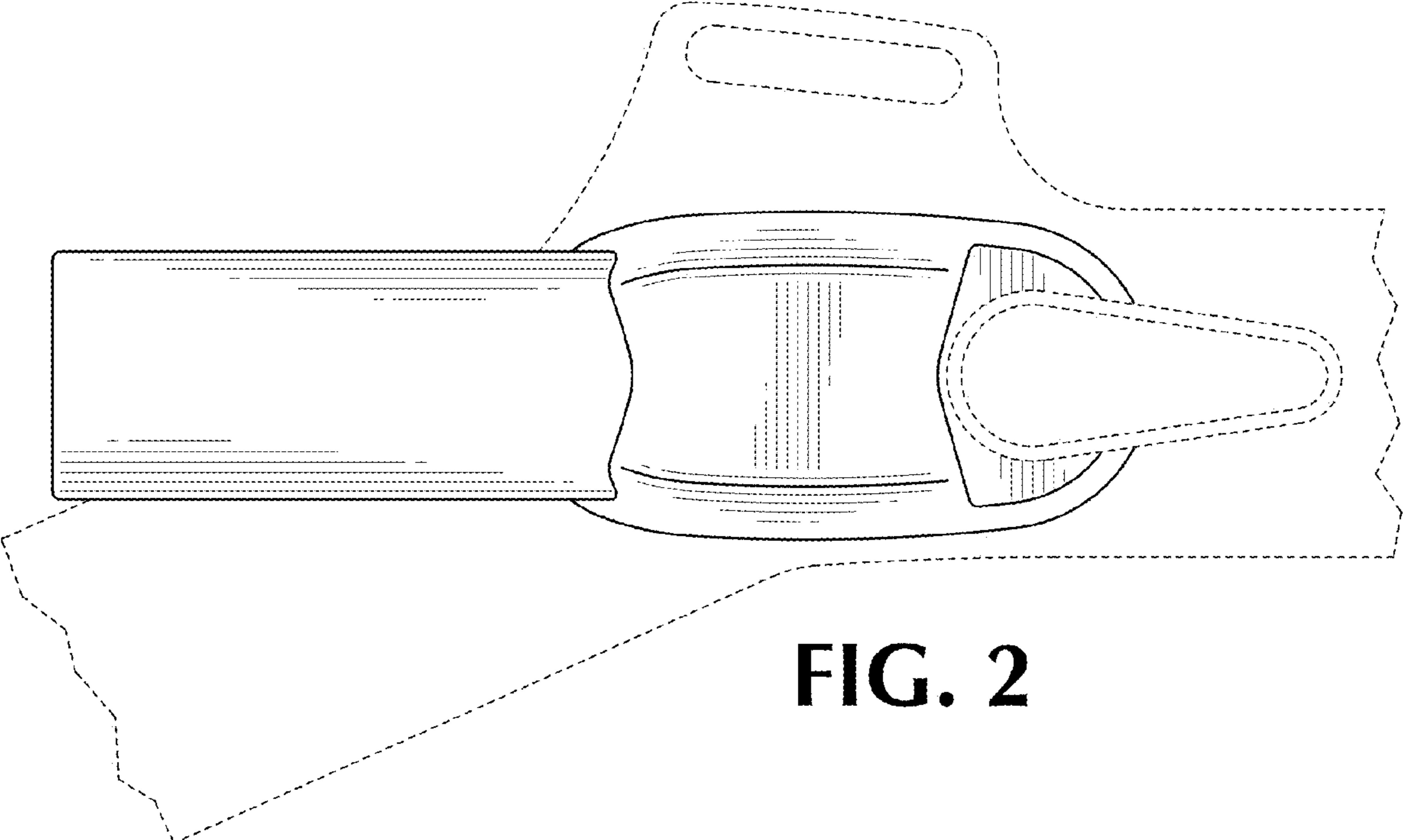
U.S. PATENT DOCUMENTS

D817,280 S \* 5/2018 Nook ..... D13/133  
D844,557 S \* 4/2019 Wang ..... D13/103

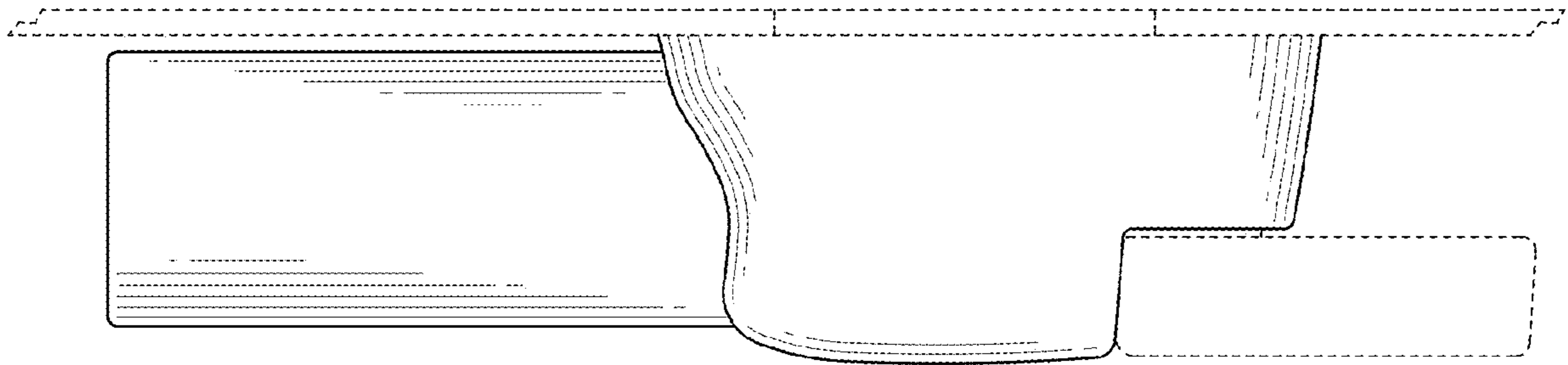
\* cited by examiner



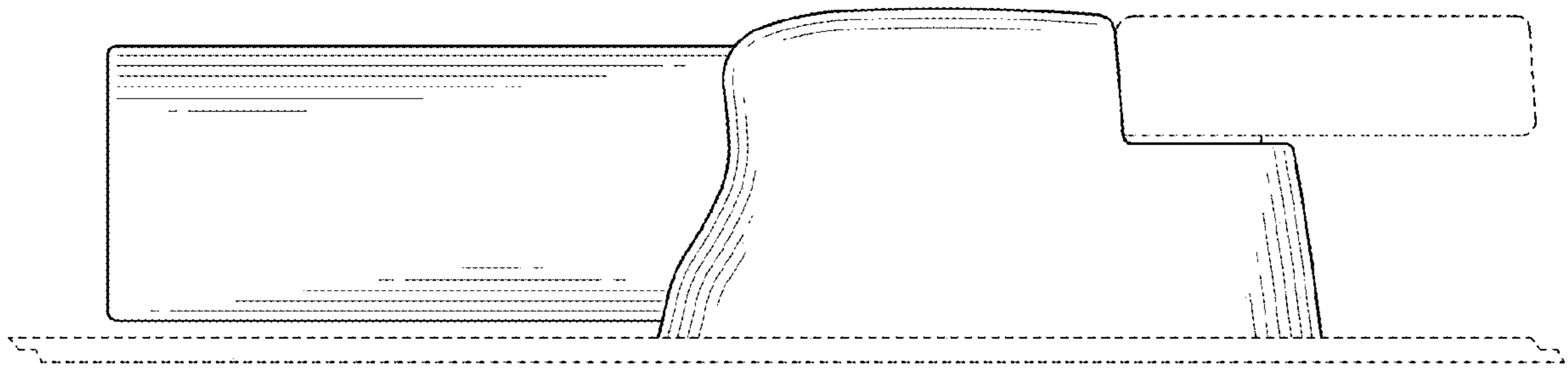
**FIG. 1**



**FIG. 2**

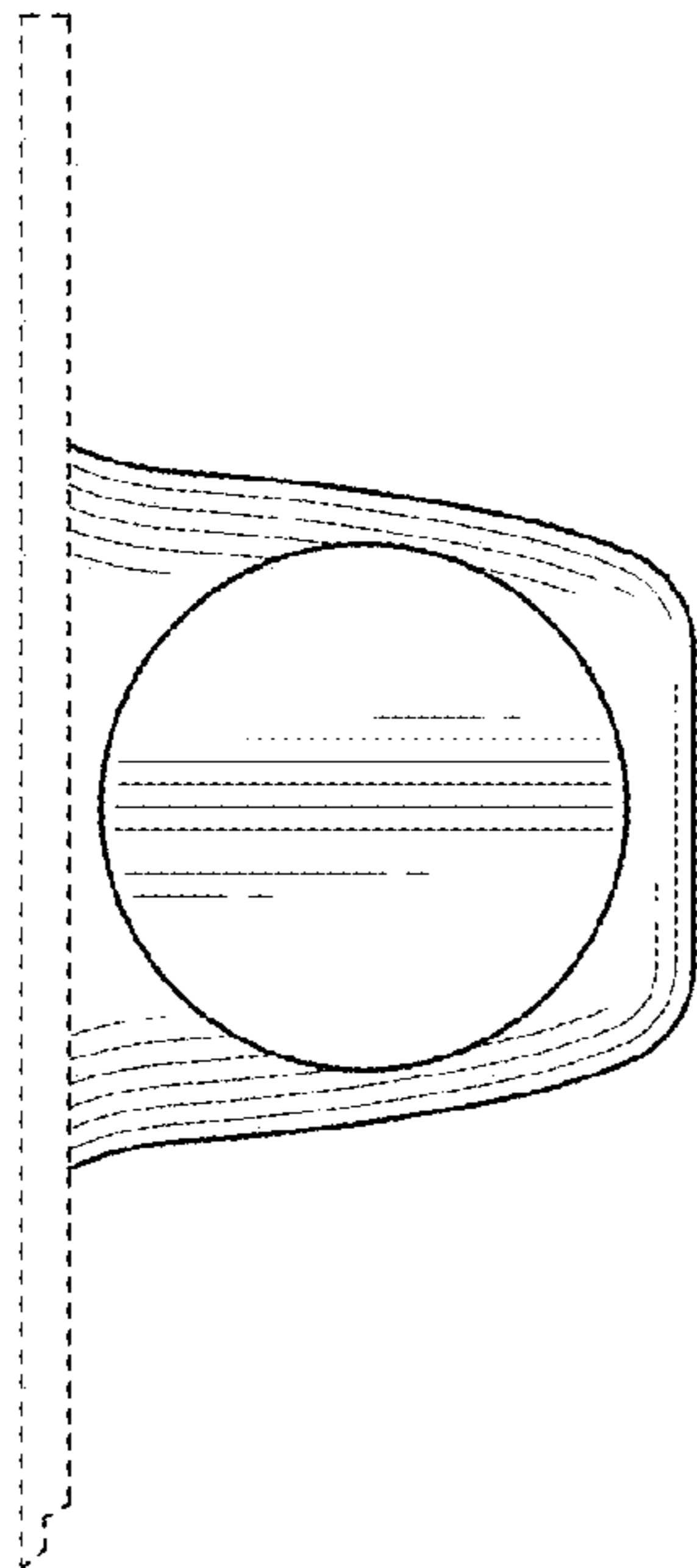


**FIG. 3**



**FIG. 4**

**FIG. 5**



**FIG. 6**

