



US00D892718S

(12) **United States Design Patent**
Chu

(10) **Patent No.:** **US D892,718 S**

(45) **Date of Patent:** **** Aug. 11, 2020**

- (54) **TIRE**
- (71) Applicant: **Giti Radial Tire (ANHUI) Company LTD.**, Anhui (CN)
- (72) Inventor: **Yunlong Chu**, Anhui (CN)
- (73) Assignee: **Giti Radial Tire (ANHUI) Company LTD.**, Anhui (CN)
- (**) Term: **15 Years**
- (21) Appl. No.: **29/689,201**
- (22) Filed: **Apr. 29, 2019**
- (51) **LOC (12) Cl.** **12-15**
- (52) **U.S. Cl.**
USPC **D12/600**
- (58) **Field of Classification Search**
USPC D12/579, 586, 587, 588, 589, 590, 594,
D12/595, 600, 601
CPC B60C 11/0306; B60C 11/04; B60C 11/11
See application file for complete search history.

D648,672 S *	11/2011	Koog	D12/600
D648,673 S *	11/2011	Koog	D12/600
D662,459 S *	6/2012	Kojima	D12/604
D734,713 S *	7/2015	Maehara	D12/600
D746,224 S *	12/2015	Drake	D12/600
D772,152 S *	11/2016	Matsuda	D12/594
D790,437 S *	6/2017	Choi	D12/502
D822,587 S *	7/2018	Wang	D12/588
D851,023 S *	6/2019	Wang	D12/600
D864,103 S *	10/2019	Kong	D12/594

* cited by examiner

Primary Examiner — Robert M. Spear
(74) *Attorney, Agent, or Firm* — JCIPRNET

(57) **CLAIM**

The ornamental design for a tire, as shown and described.

DESCRIPTION

FIG. 1 is a first perspective view of a tire showing my new design, it being understood that the pattern repeats uniformly throughout the circumference of the tread;
 FIG. 2 is a second perspective view thereof;
 FIG. 3 is a front elevational view thereof;
 FIG. 4 is a left side elevational view thereof; the right side elevational view being identical thereto;
 FIG. 5 is an enlarged fragmentary front elevational view thereof; and,
 FIG. 6 is a cross-sectional view taken along line 6-6 of FIG. 3.

1 Claim, 6 Drawing Sheets

- (56) **References Cited**
U.S. PATENT DOCUMENTS
D503,921 S * 4/2005 Yamaura D12/579
D637,148 S * 5/2011 Tamura D12/579
D637,150 S * 5/2011 Koshio D12/579
D637,549 S * 5/2011 Kojima D12/579
D643,360 S * 8/2011 Yamaguchi D12/588

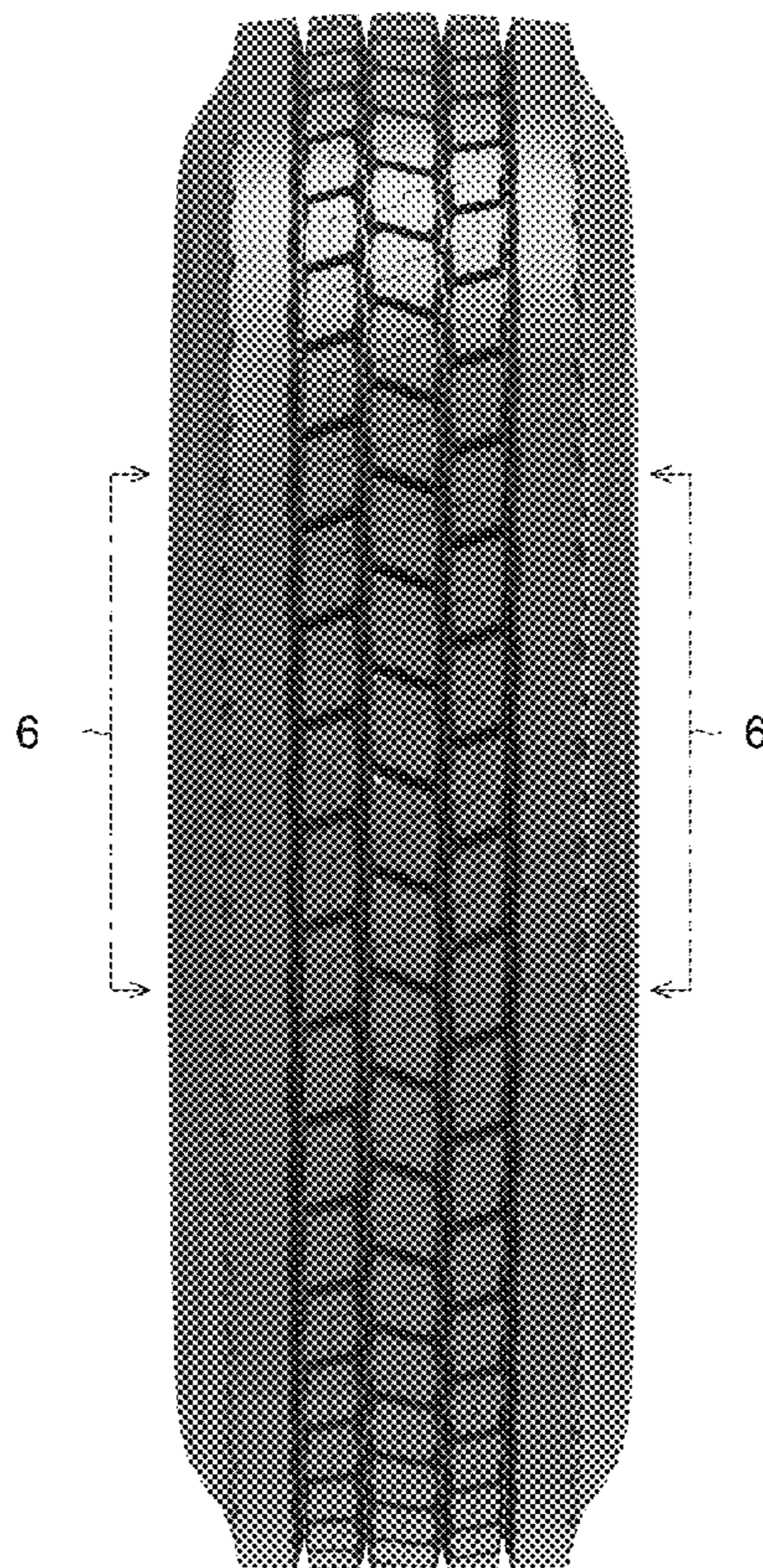




FIG. 1



FIG. 2

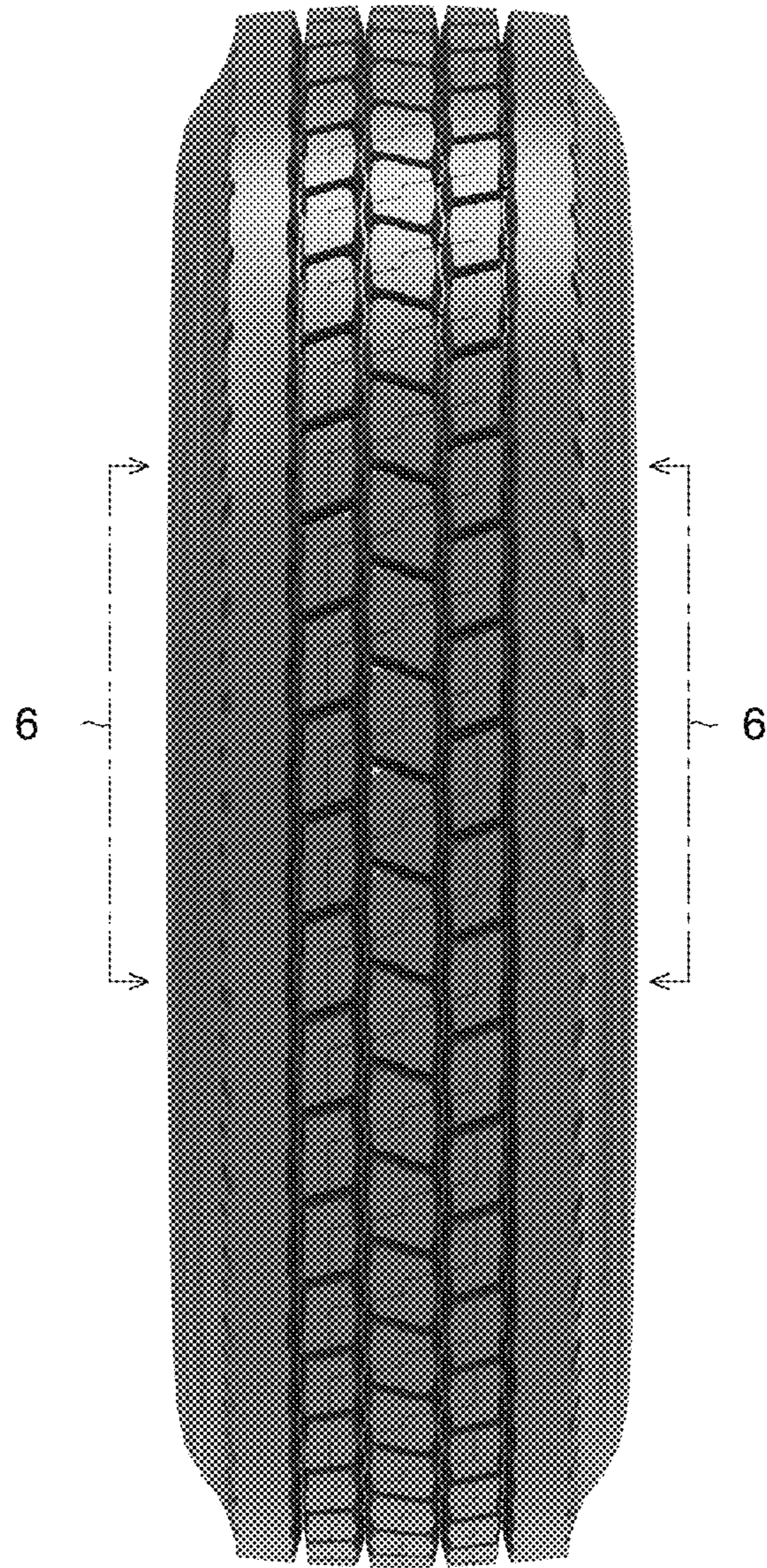


FIG. 3

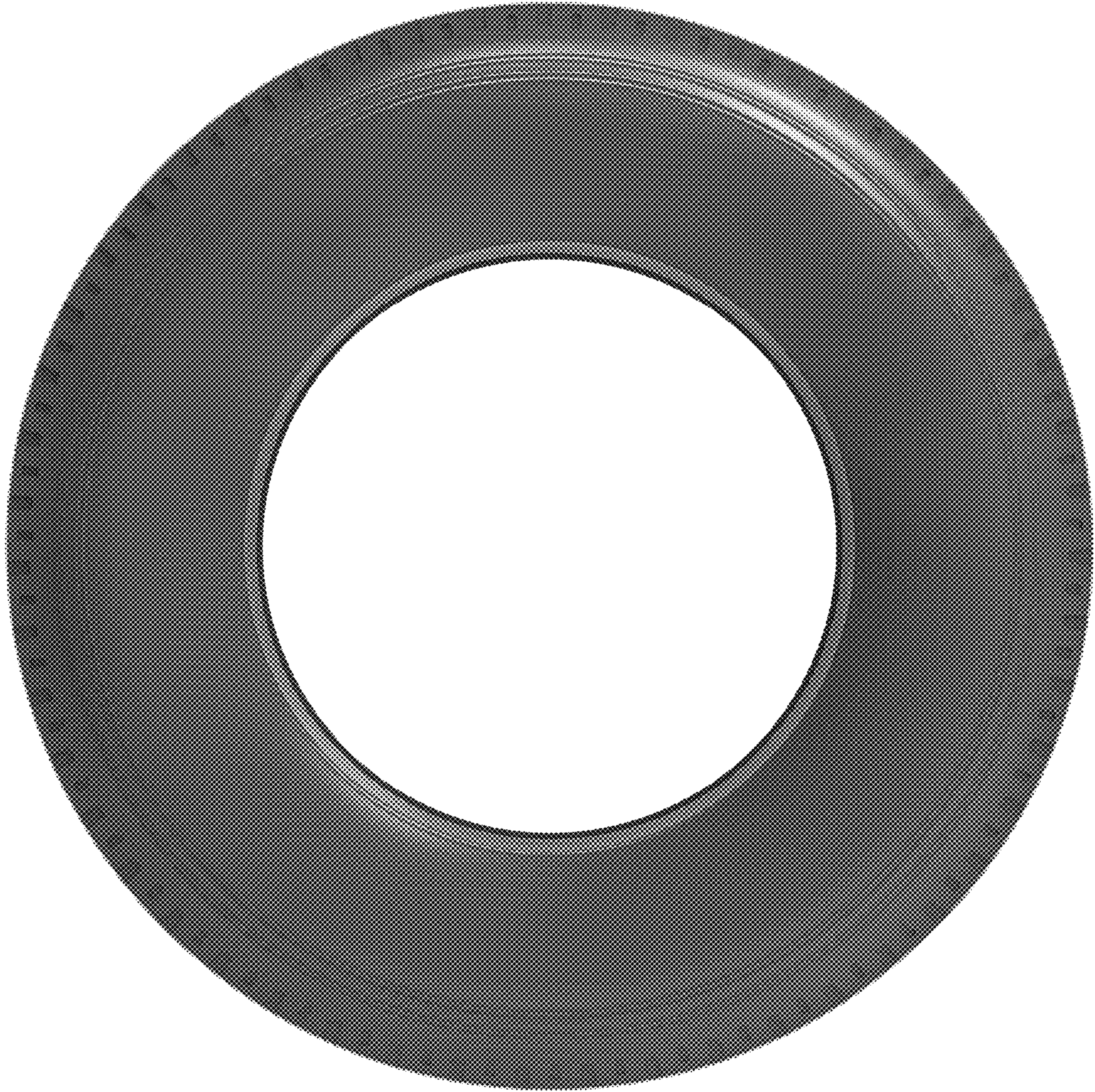


FIG. 4

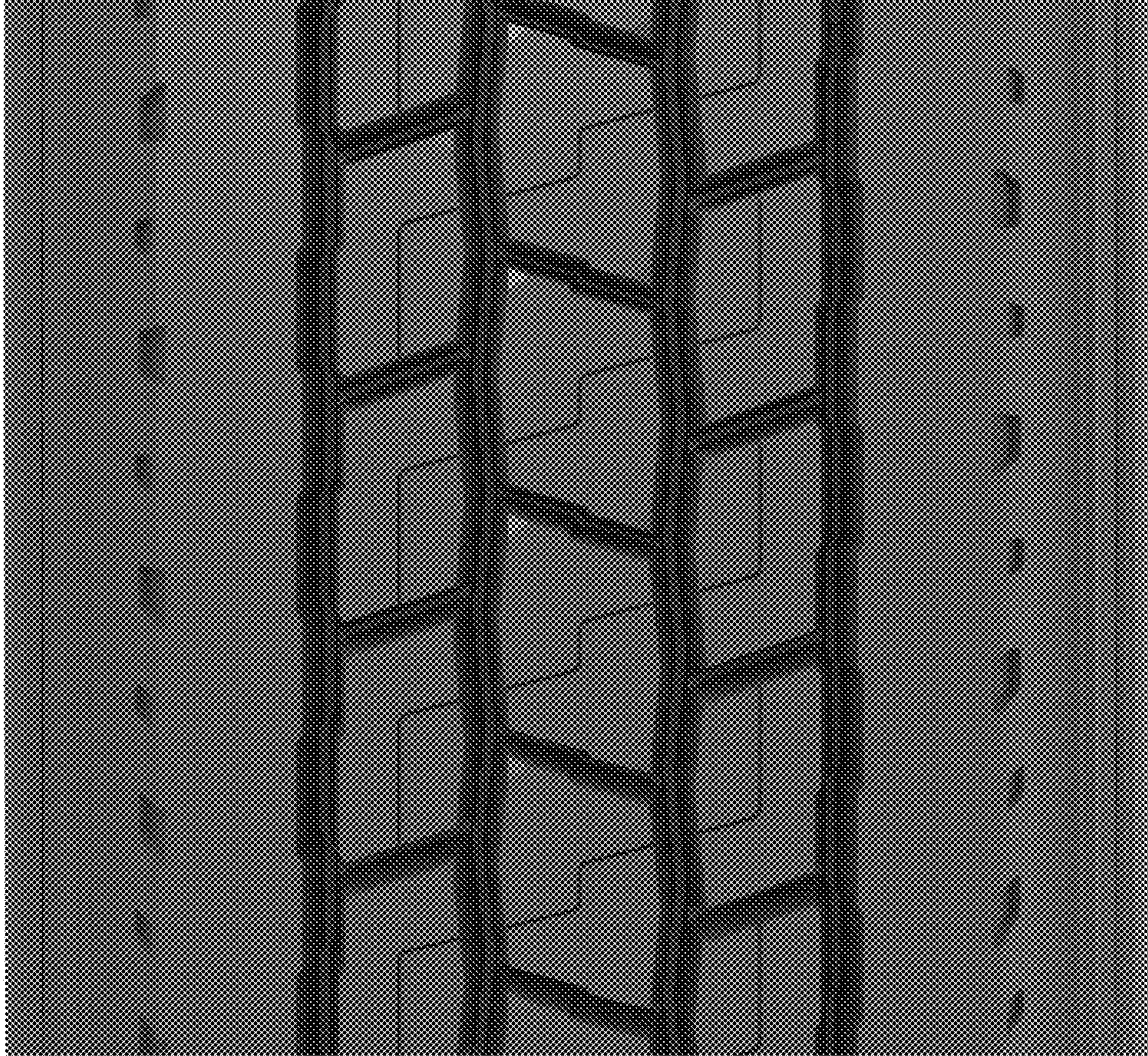


FIG. 5

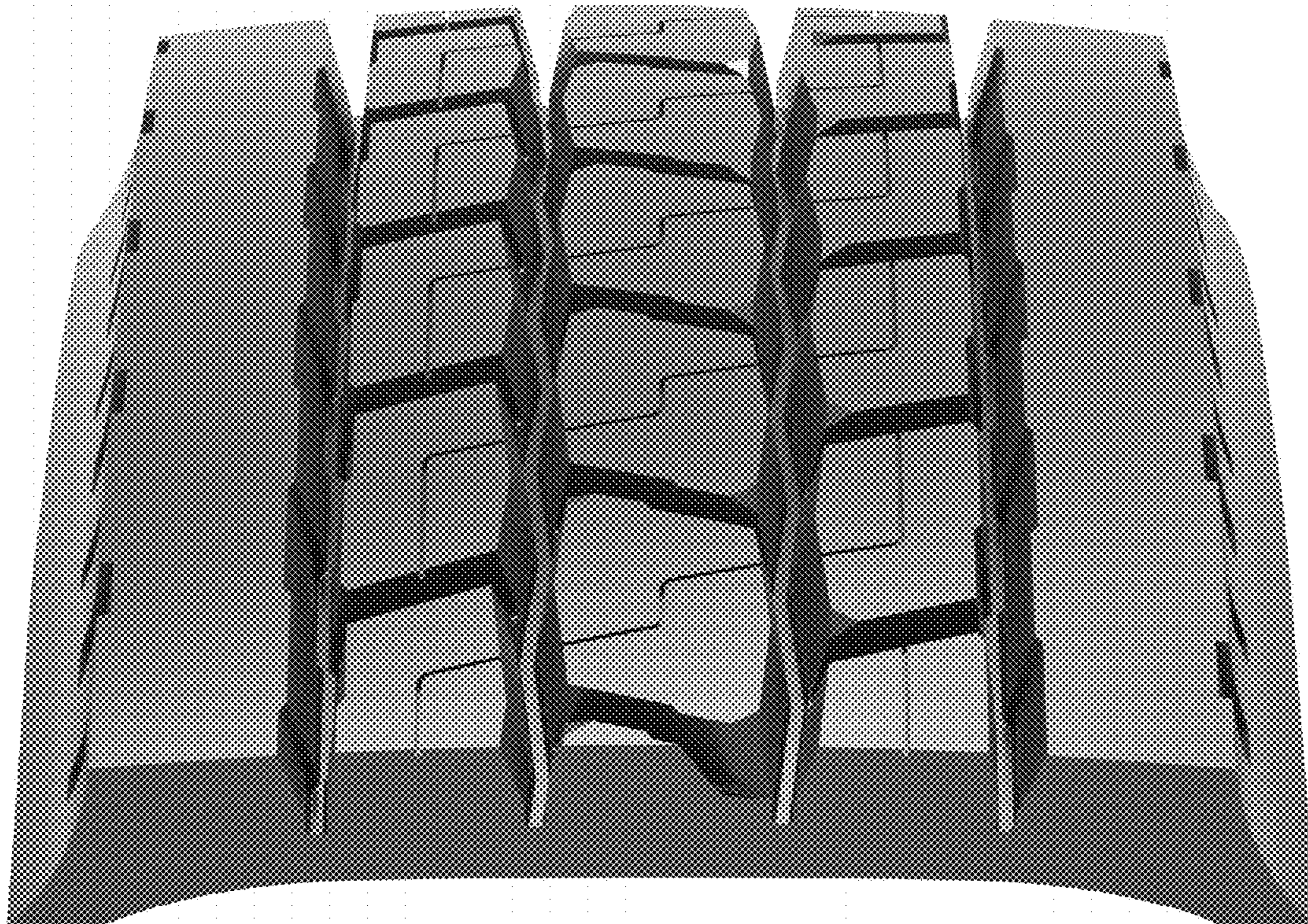


FIG. 6