



US00D892715S

(12) **United States Design Patent**
Sato

(10) **Patent No.:** **US D892,715 S**

(45) **Date of Patent:** **** Aug. 11, 2020**

(54) **TIRE**

D877,055 S * 3/2020 Jens Christensen D12/579
D879,020 S * 3/2020 Sato D12/579
D879,021 S * 3/2020 Bonifas D12/579

(71) Applicant: **Toyo Tire Corporation**, Itami-shi,
Hyogo (JP)

FOREIGN PATENT DOCUMENTS

(72) Inventor: **Yoshiki Sato**, Itami (JP)

JP 1540172 S 12/2015
JP 1527963 S 6/2016

(73) Assignee: **Toyo Tire Company**, Itami-shi (JP)

* cited by examiner

(**) Term: **15 Years**

Primary Examiner — Robert M. Spear
(74) *Attorney, Agent, or Firm* — Sterne, Kessler,
Goldstein & Fox P.L.L.C.

(21) Appl. No.: **29/695,595**

(22) Filed: **Jun. 20, 2019**

(57) **CLAIM**

The ornamental design for a tire, as shown and described.

(30) **Foreign Application Priority Data**

DESCRIPTION

Dec. 26, 2018 (JP) 2018-028515

(51) **LOC (12) Cl.** **12-15**

(52) **U.S. Cl.**
USPC **D12/579**

(58) **Field of Classification Search**
USPC D12/579, 593, 594, 600, 601, 602, 603,
D12/605

CPC B60C 11/01; B60C 11/11
See application file for complete search history.

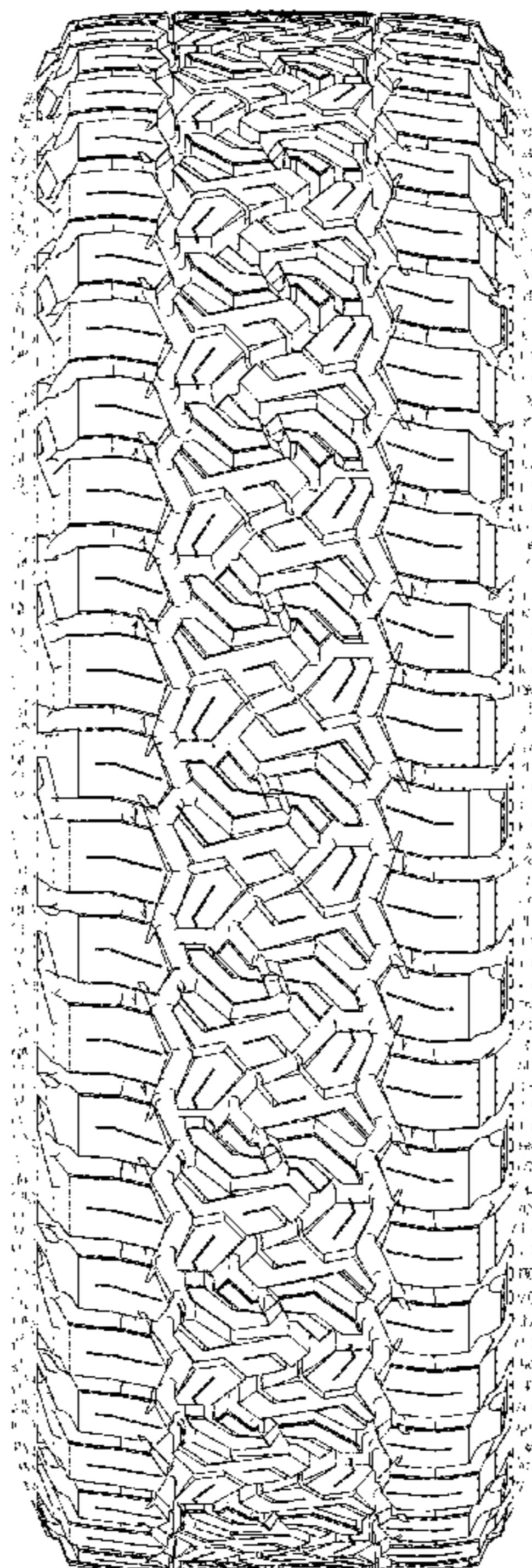
FIG. 1 is a front right perspective view of a tire showing the claimed design;
FIG. 2 is a front left perspective view thereof;
FIG. 3 is a front view thereof;
FIG. 4 is a rear view thereof;
FIG. 5 is a top plan view thereof, the bottom plan view being the same;
FIG. 6 is a right side view thereof;
FIG. 7 is a left side view thereof;
FIG. 8 is an enlarged view taken along line 8-8 in FIG. 1;
FIG. 9 is an enlarged view taken along line 9-9 in FIG. 2;
FIG. 10 is an enlarged view of the portion 10-10 in FIG. 3; and,
FIG. 11 is a cross-sectional view taken along line 11-11 in FIG. 10.
In the drawings, the broken lines show portions of the tire that form no part of the claimed design.

(56) **References Cited**

U.S. PATENT DOCUMENTS

D444,426 S * 7/2001 Marazzi D12/579
D567,750 S * 4/2008 Dixon D12/579
D713,328 S 9/2014 Umstot et al.
D859,298 S * 9/2019 Geng D12/579
D867,975 S * 11/2019 Geng D12/579
D875,649 S * 2/2020 Lo D12/579
D875,653 S * 2/2020 Geng D12/579

1 Claim, 11 Drawing Sheets



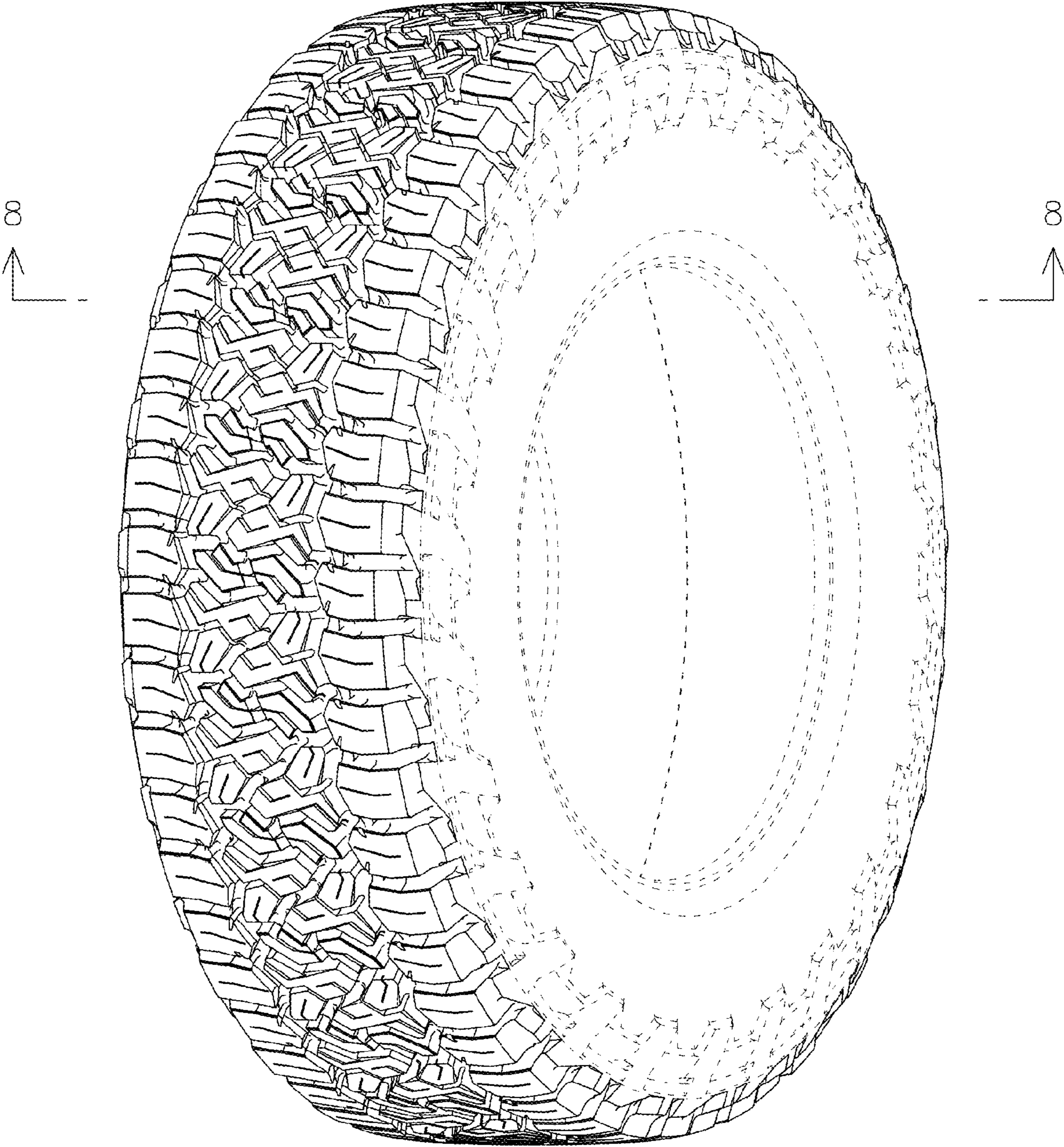


FIG. 1

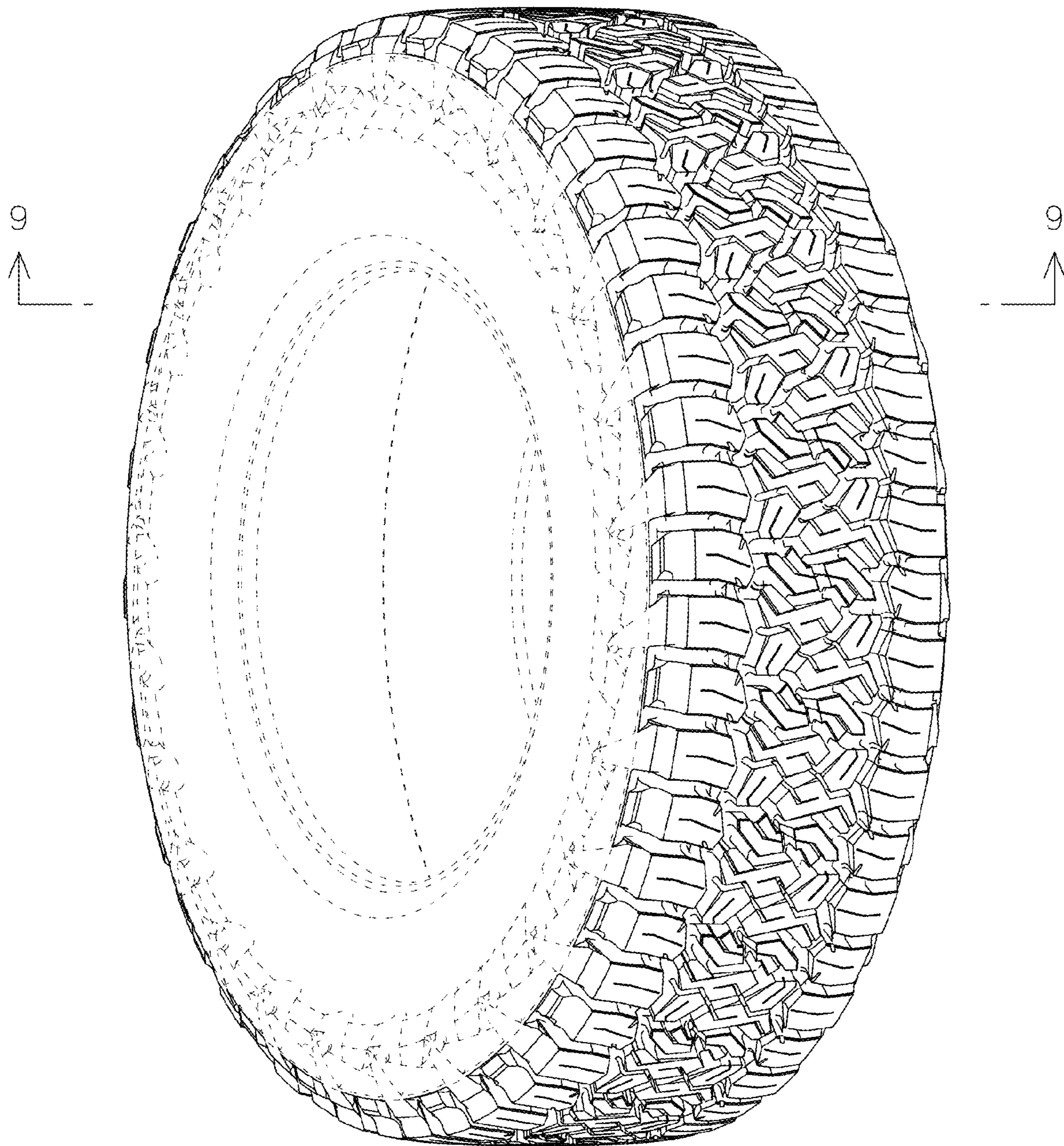


FIG. 2

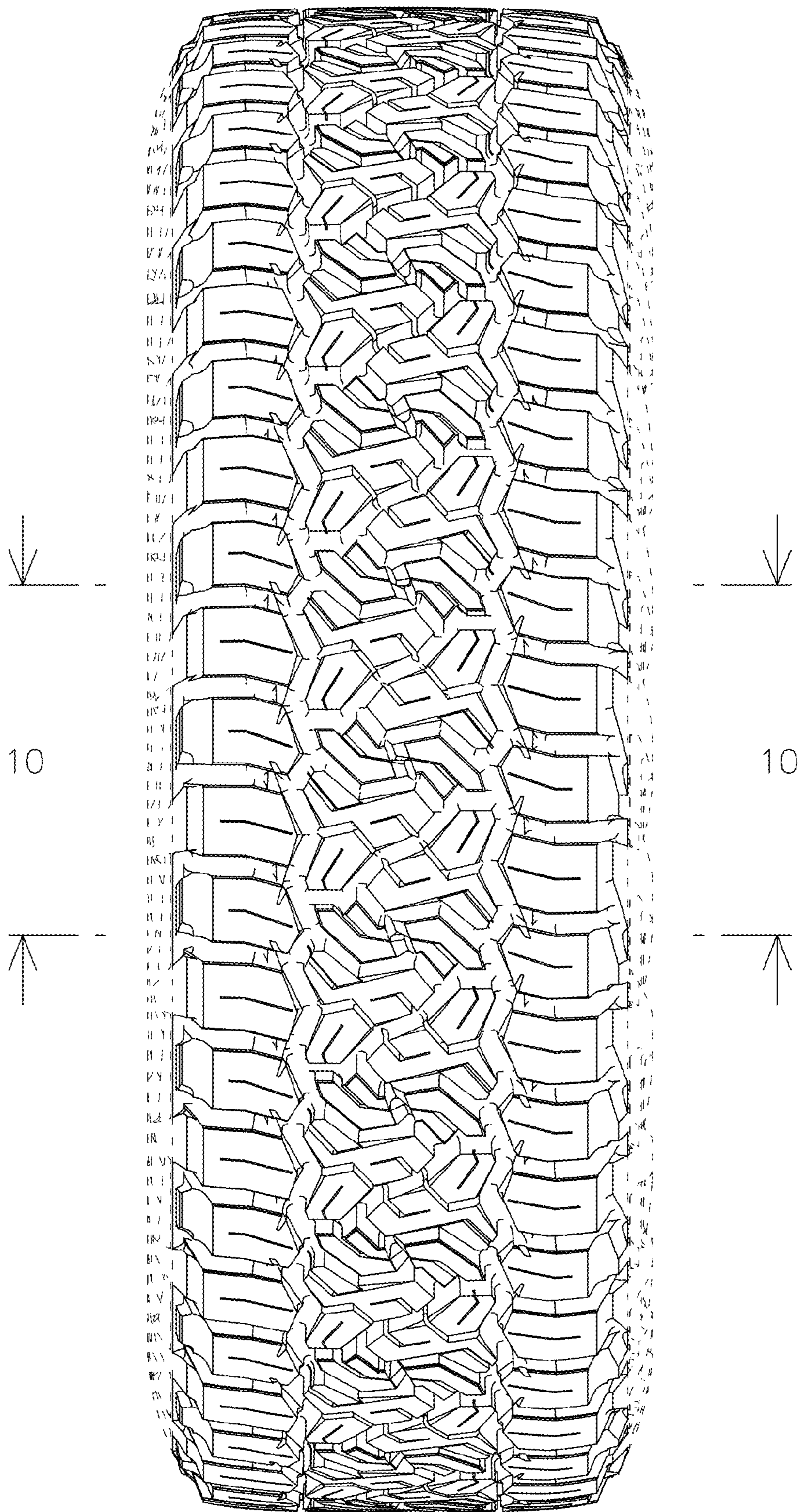


FIG. 3

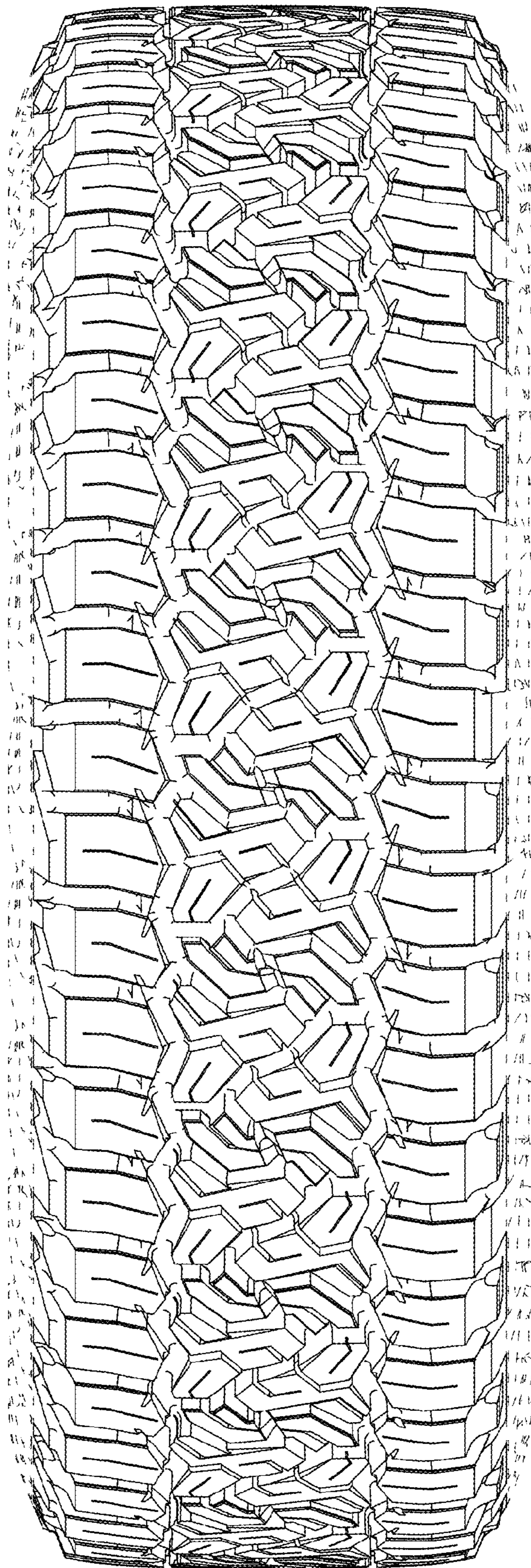


FIG. 4

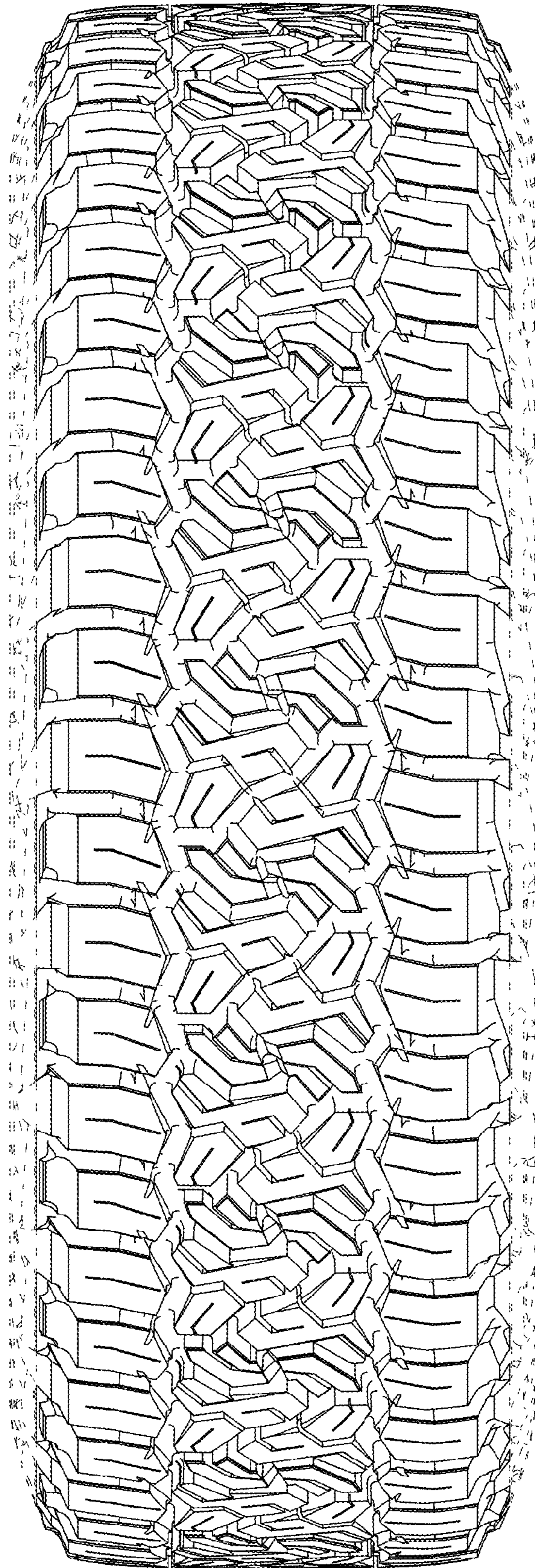


FIG. 5

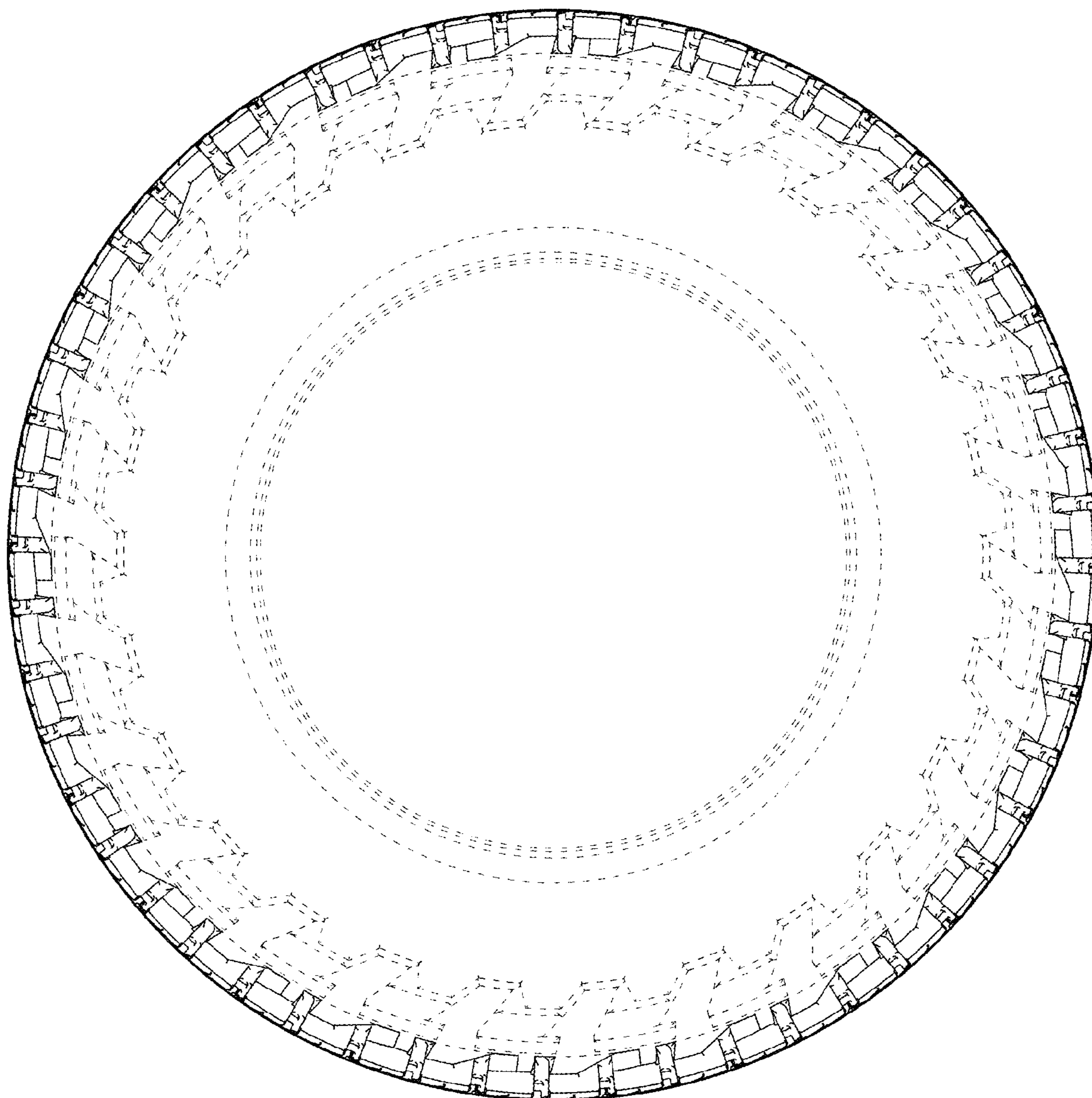


FIG. 6

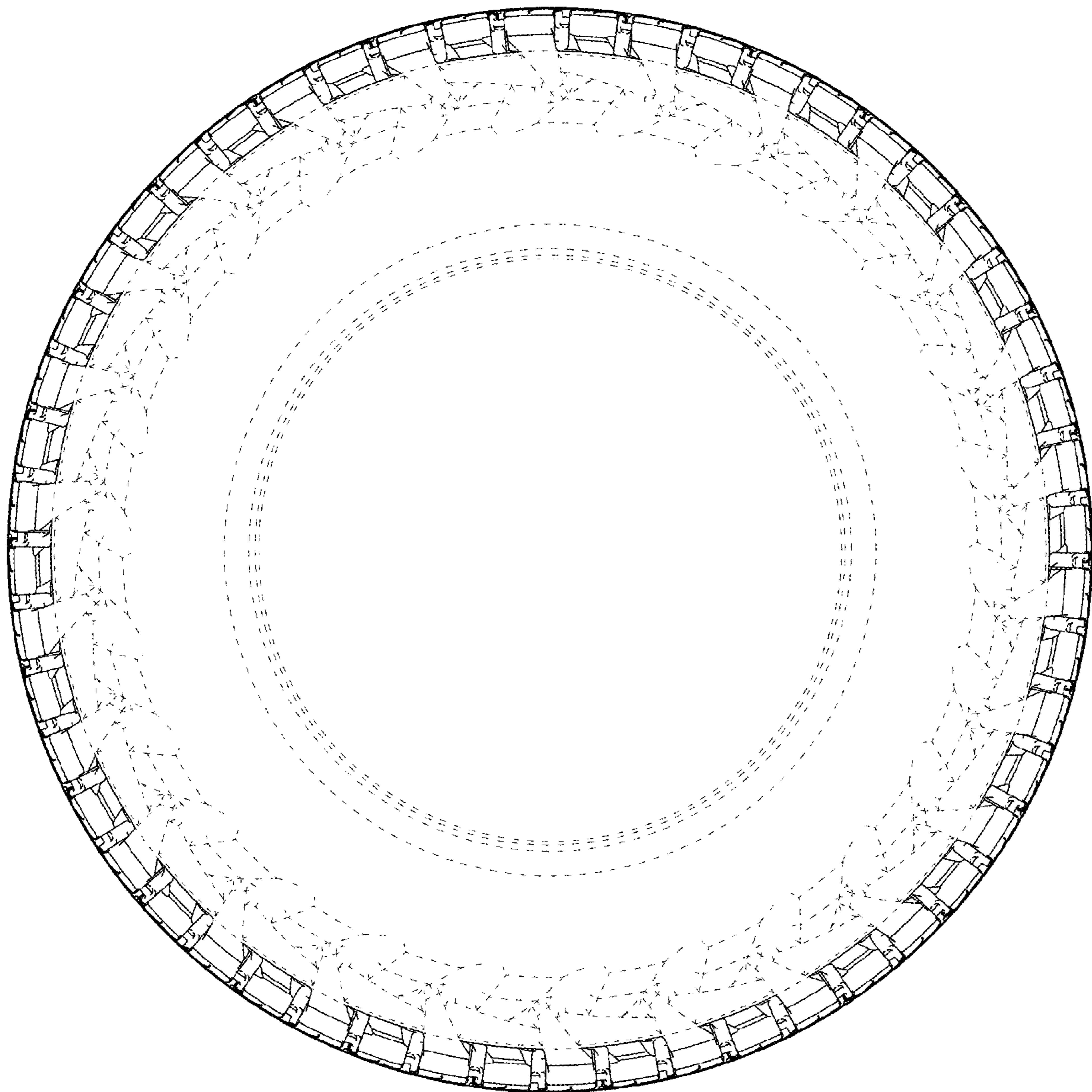


FIG. 7

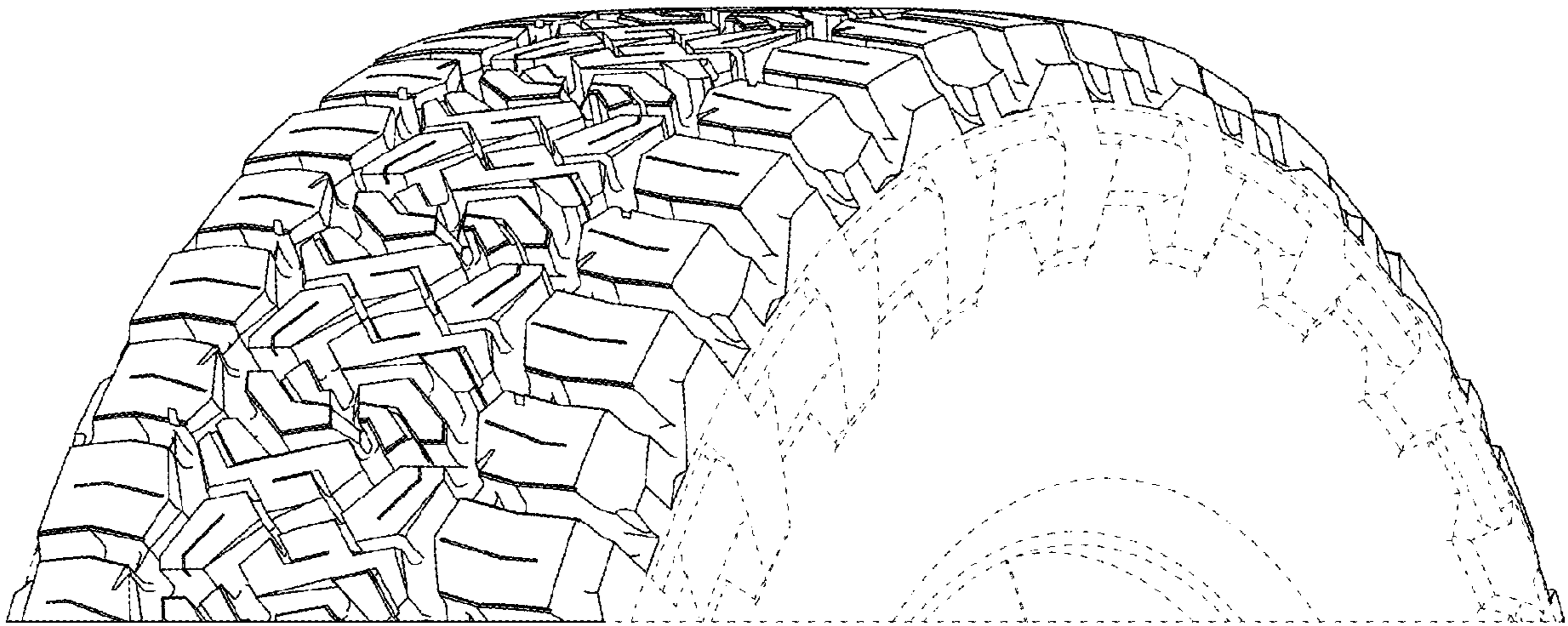


FIG. 8

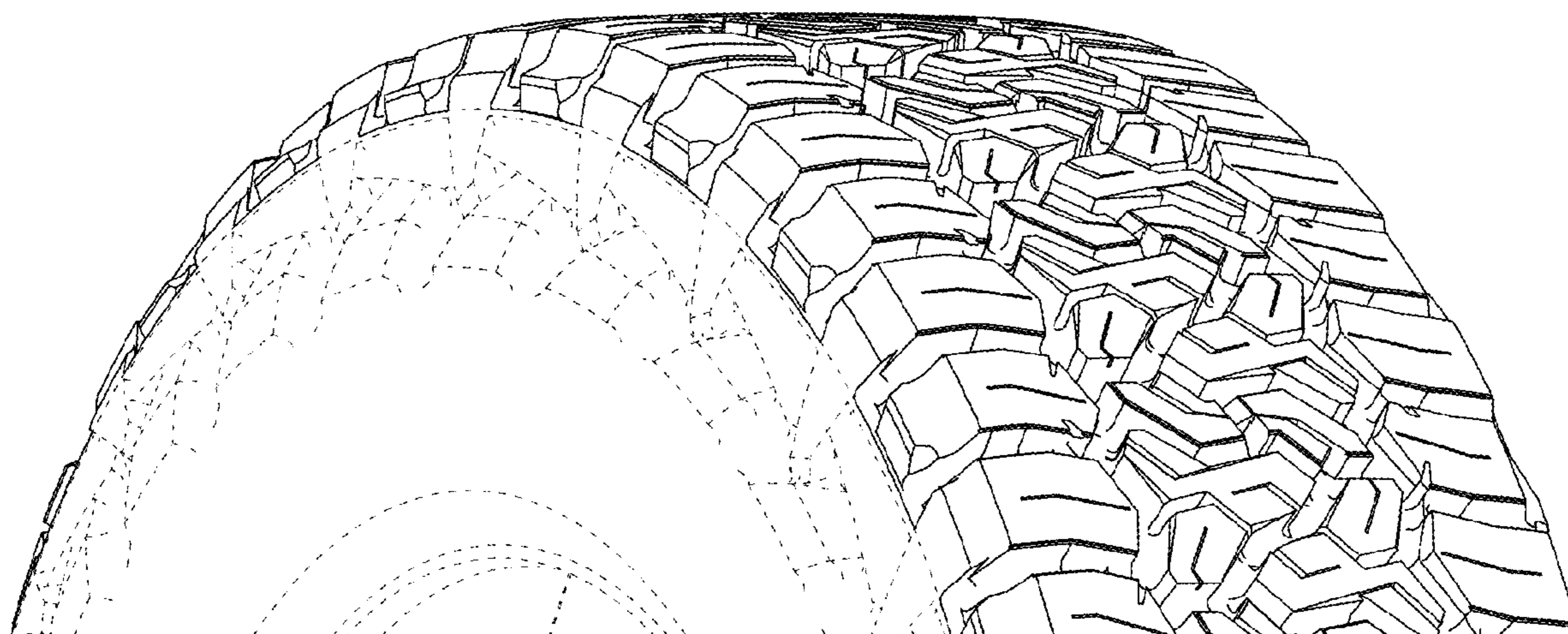


FIG. 9

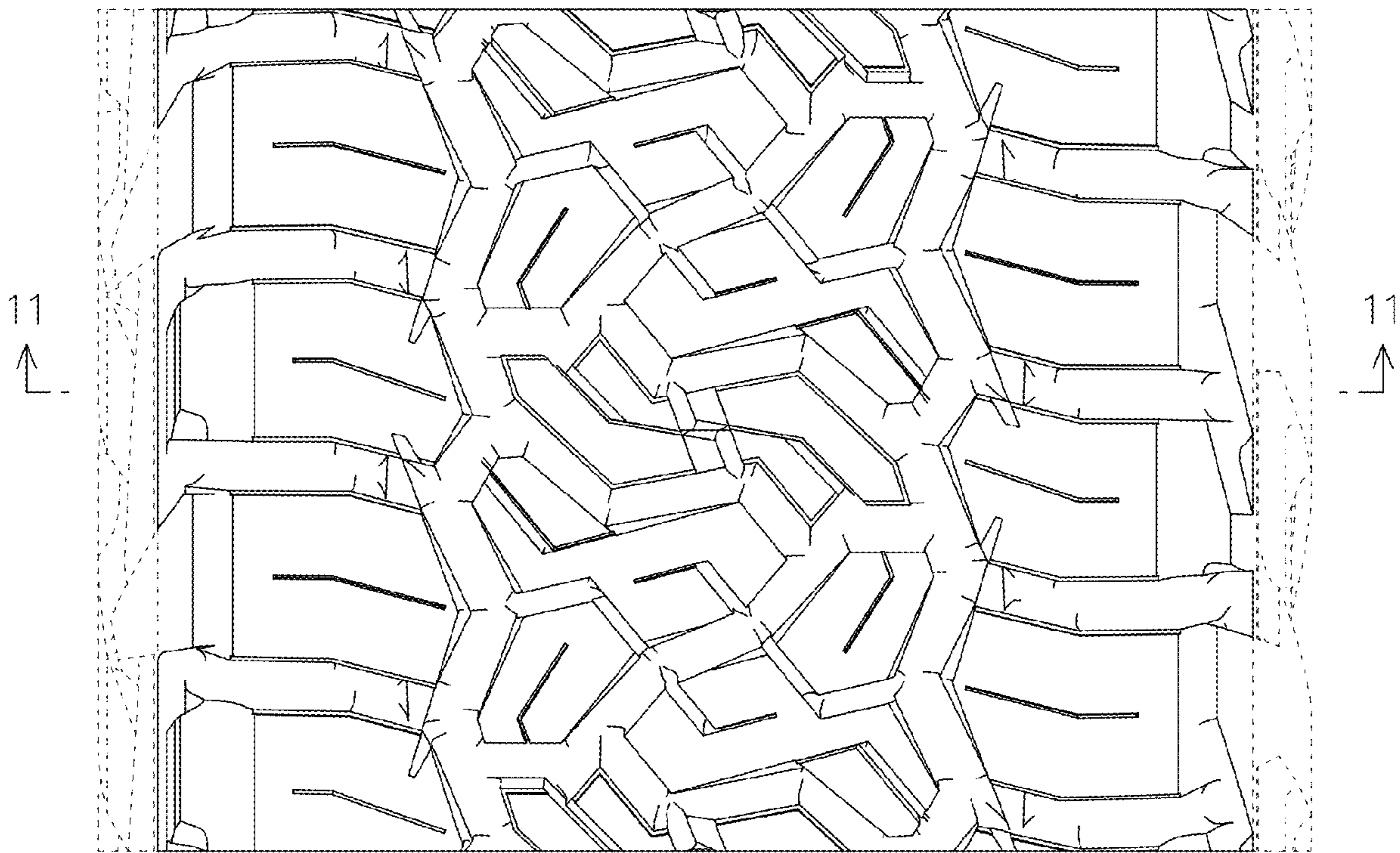


FIG. 10

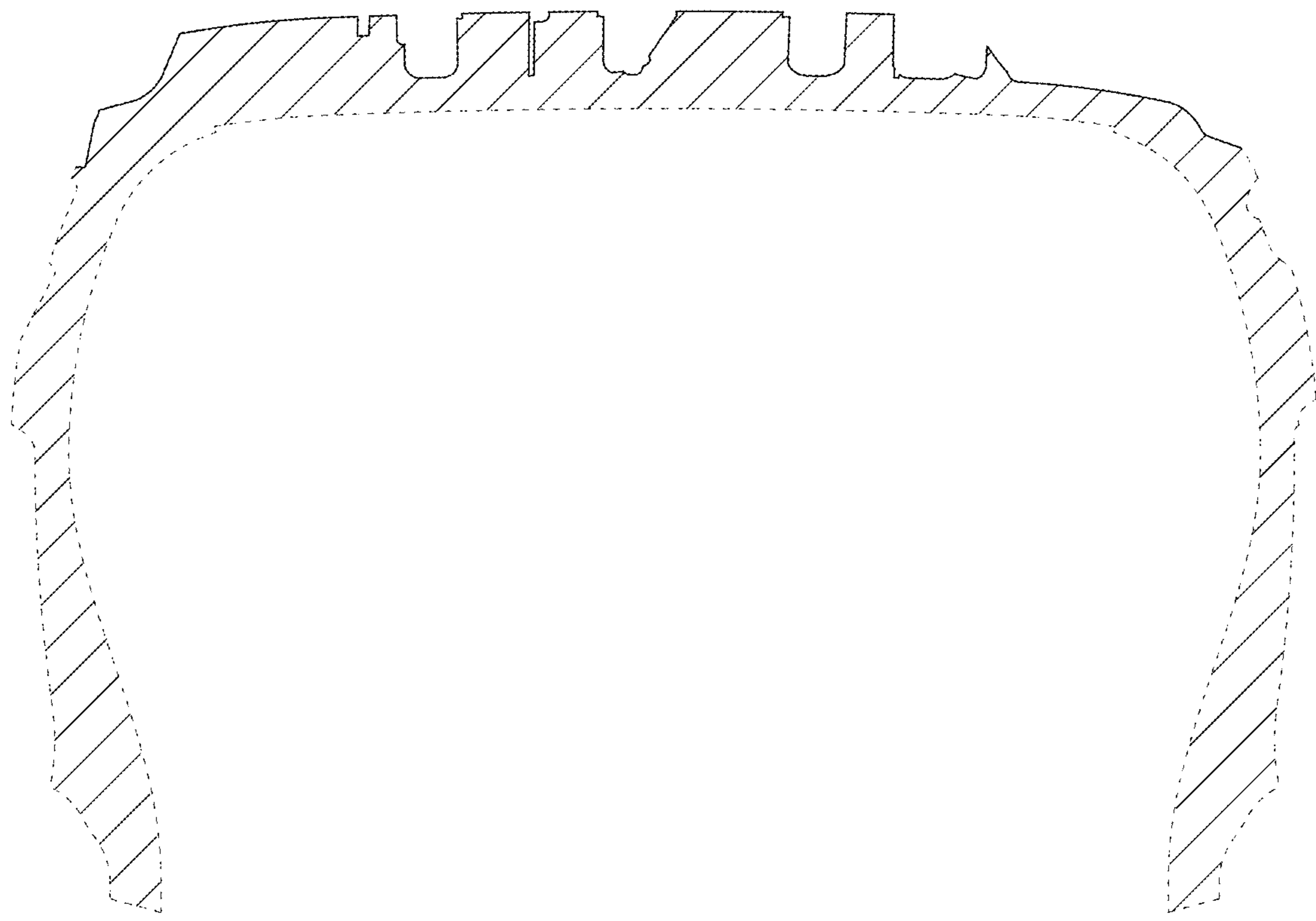


FIG. 11