



US00D892709S

(12) **United States Design Patent**  
**Berche et al.**

(10) **Patent No.:** **US D892,709 S**

(45) **Date of Patent:** **\*\* Aug. 11, 2020**

- (54) **WATERCRAFT FRONT FAIRING**
- (71) Applicant: **BOMBARDIER RECREATIONAL PRODUCTS INC.**, Valcourt (CA)
- (72) Inventors: **Charles-Edouard Berche**, Bromont (CA); **Francois Chenevert**, Sherbrooke (CA)
- (73) Assignee: **BOMBARDIER RECREATIONAL PRODUCTS INC.**, Valcourt (CA)
- (\*\*) Term: **15 Years**
- (21) Appl. No.: **29/715,959**
- (22) Filed: **Dec. 5, 2019**

- D476,612 S 7/2003 Bills et al.
- D479,702 S 9/2003 Cassell et al.
- D485,527 S 1/2004 Cassell et al.
- D487,718 S 3/2004 Bills et al.
- 6,843,192 B1 1/2005 Nugteren et al.
- D501,820 S 2/2005 Bucaccio et al.
- D507,230 S 7/2005 Bucaccio et al.
- D510,900 S 10/2005 Bucaccio et al.
- D511,320 S 11/2005 Bucaccio et al.
- D513,225 S 12/2005 Omae et al.
- D516,006 S 2/2006 Bucaccio et al.
- D516,993 S 3/2006 Bucaccio et al.
- D518,767 S 4/2006 Bucaccio et al.
- D519,437 S 4/2006 Bucaccio et al.
- D519,438 S 4/2006 Bucaccio et al.
- D519,909 S 5/2006 Bucaccio et al.
- D527,701 S 9/2006 Bucaccio et al.
- D550,603 S 9/2007 Cote et al.
- D550,605 S 9/2007 Cote et al.
- D569,781 S 5/2008 Hattori et al.

(Continued)

**Related U.S. Application Data**

- (62) Division of application No. 29/641,105, filed on Mar. 20, 2018.
- (51) **LOC (12) Cl.** ..... **12-06**
- (52) **U.S. Cl.**  
USPC ..... **D12/317; D12/307**
- (58) **Field of Classification Search**  
USPC ..... D12/6-11, 119, 307, 317, 318  
CPC ..... B63B 35/73; B63B 35/731; F02B 61/045  
See application file for complete search history.

*Primary Examiner* — Cynthia M. Chin

(74) *Attorney, Agent, or Firm* — BCF LLP

(57) **CLAIM**

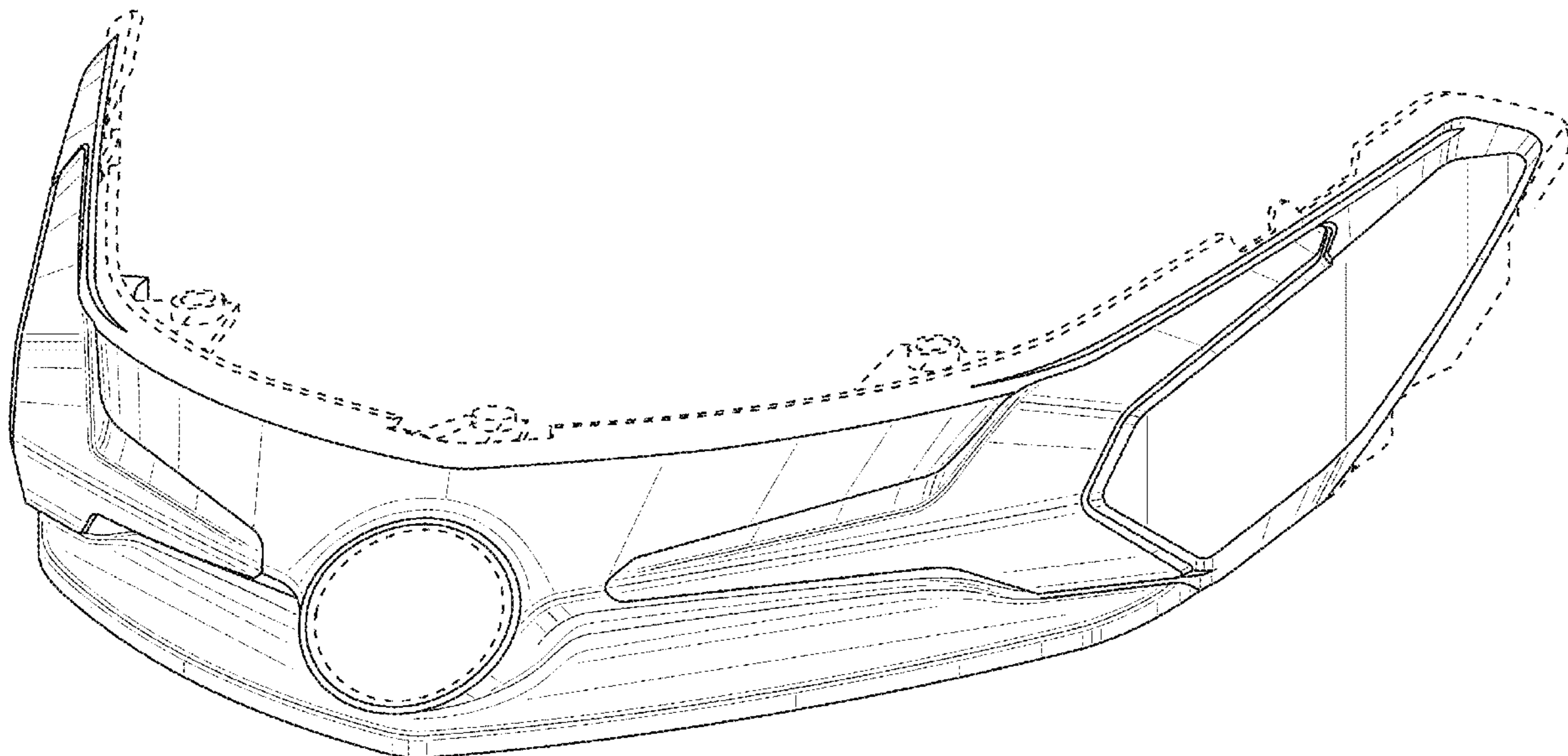
The ornamental design for a watercraft front fairing, as shown and described.

**DESCRIPTION**

FIG. 1 is a perspective view taken from a front, left side, of a watercraft front fairing according to our design;  
 FIG. 2 is a front elevation view thereof;  
 FIG. 3 is a rear elevation view thereof;  
 FIG. 4 is a right side elevation view thereof;  
 FIG. 5 is a left side elevation view thereof;  
 FIG. 6 is a top plan view thereof; and,  
 FIG. 7 is a bottom plan view thereof.  
 In the Figures, the dashed lines are included for the purpose of illustrating portions of the watercraft front fairing which form no part of the claimed design.

- (56) **References Cited**  
U.S. PATENT DOCUMENTS
- D307,414 S 4/1990 LaPointe
- D325,556 S 4/1992 LaPointe
- D326,839 S 6/1992 LaPointe
- D399,182 S 10/1998 LaPointe et al.
- 6,112,685 A 9/2000 Matsuda et al.
- D462,931 S 9/2002 Aselton et al.
- D464,015 S 10/2002 Bucaccio et al.
- D464,016 S 10/2002 Orr et al.
- D464,926 S 10/2002 Mizuta et al.

**1 Claim, 7 Drawing Sheets**



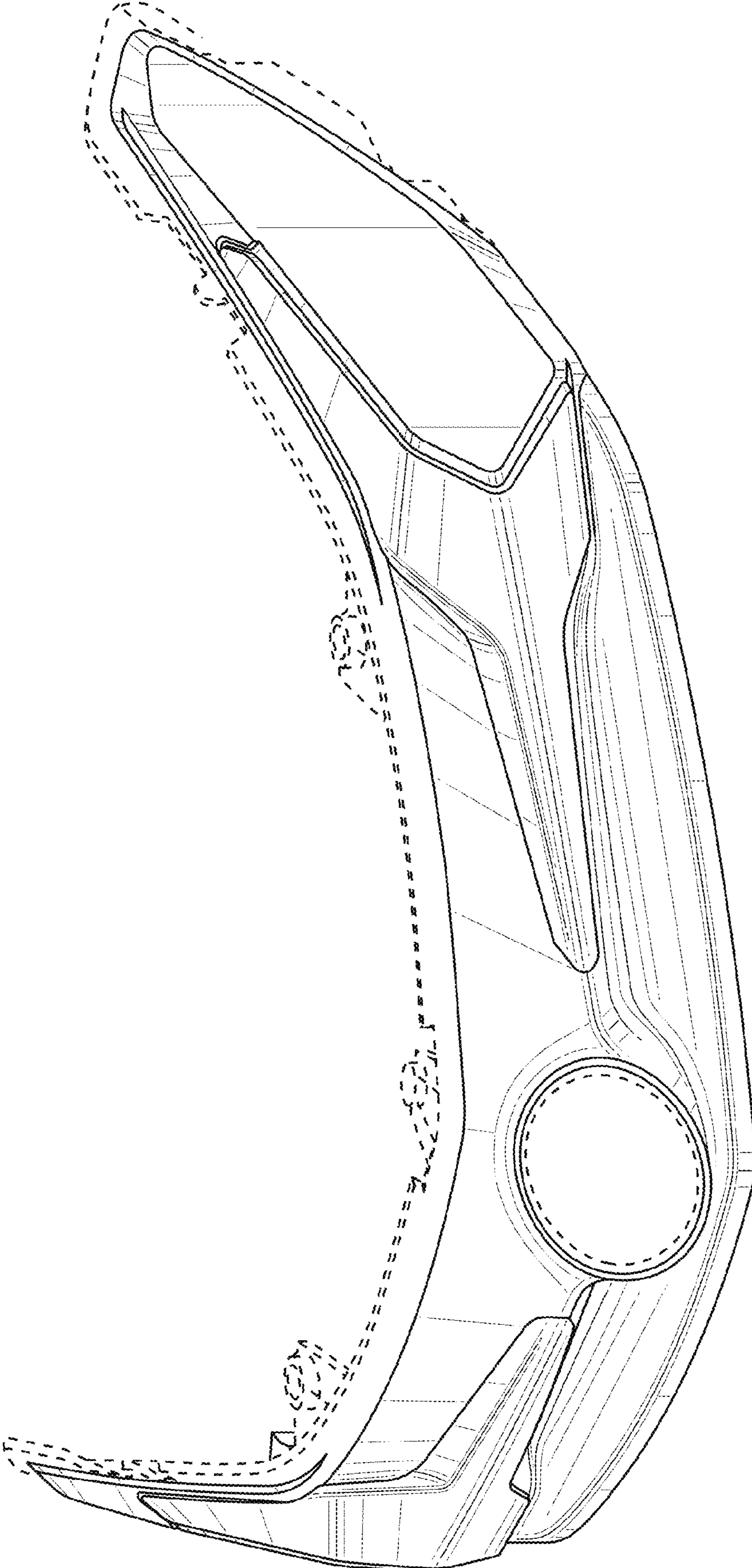
(56)

**References Cited**

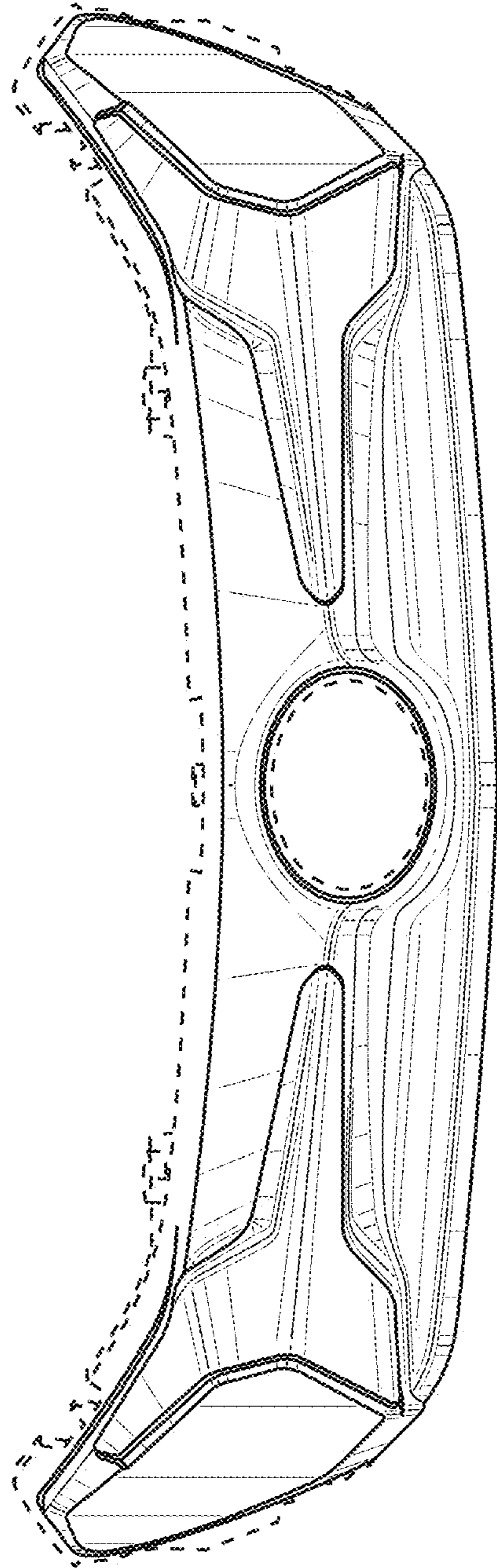
U.S. PATENT DOCUMENTS

D574,314	S	8/2008	Kato et al.	
D575,720	S	8/2008	Kato et al.	
D579,380	S	10/2008	Petit	
D580,822	S	11/2008	Longpre et al.	
D603,319	S	11/2009	Cote et al.	
D608,719	S	1/2010	Cote et al.	
D630,995	S	1/2011	Cote et al.	
D632,632	S	2/2011	Cote	
D636,322	S *	4/2011	Cote .....	D12/317
D636,323	S *	4/2011	Cote .....	D12/317
D636,324	S	4/2011	Cote	
D637,544	S	5/2011	Cote et al.	
D644,590	S	9/2011	Cote et al.	
D647,839	S	11/2011	Seymour	
D670,603	S *	11/2012	Lepine .....	D12/7
D691,939	S	10/2013	Cote et al.	
D692,366	S	10/2013	Cote et al.	
D693,286	S	11/2013	Cote et al.	
D721,634	S *	1/2015	Cote .....	D12/307
D734,239	S	7/2015	Cote et al.	
D796,401	S *	9/2017	Akita .....	D12/182
D802,473	S *	11/2017	Lepine .....	D12/7
D862,358	S *	10/2019	Berche .....	D12/317
2003/0131774	A1	7/2003	Funayose et al.	
2004/0168622	A1	9/2004	Thompson et al.	

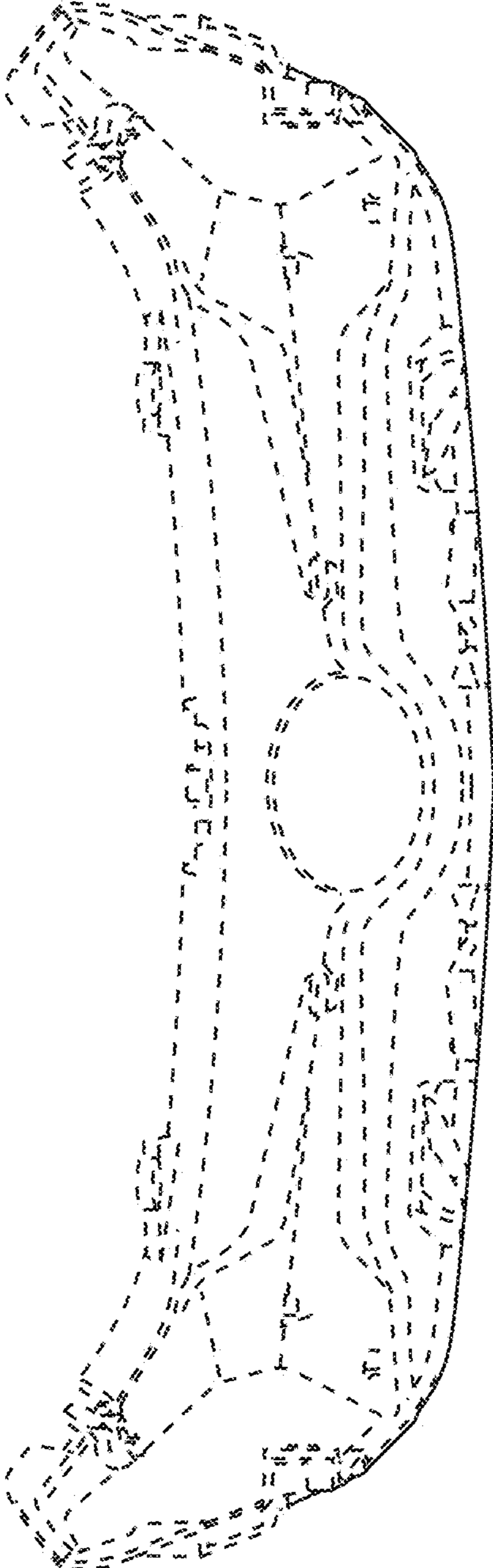
\* cited by examiner



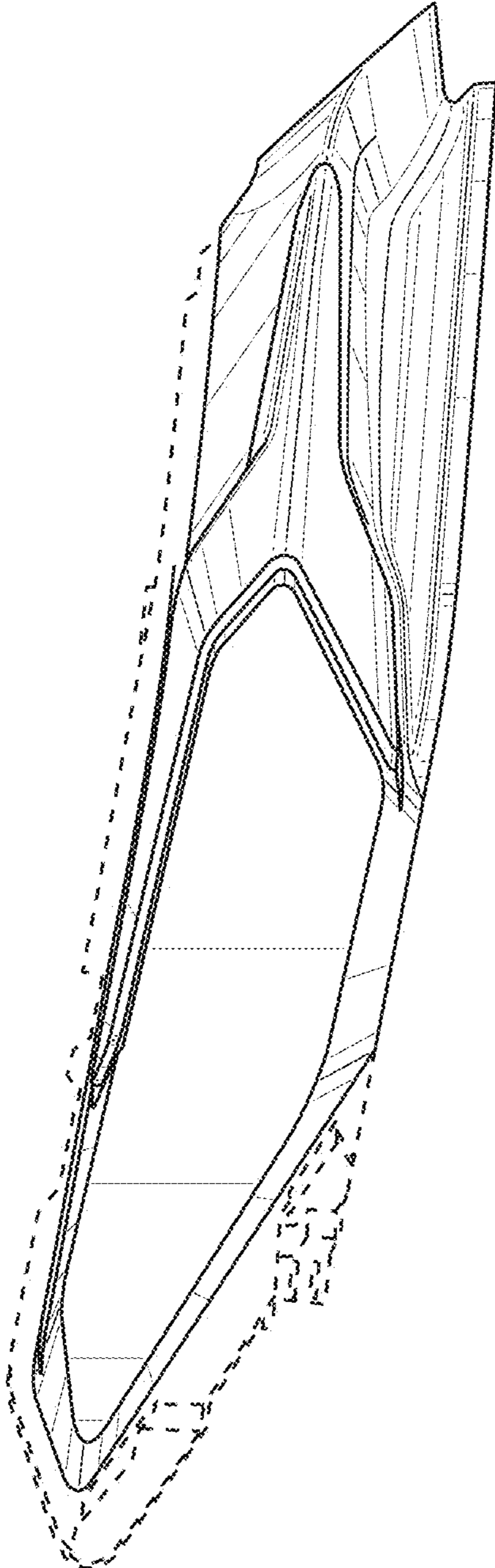
**FIG. 1**



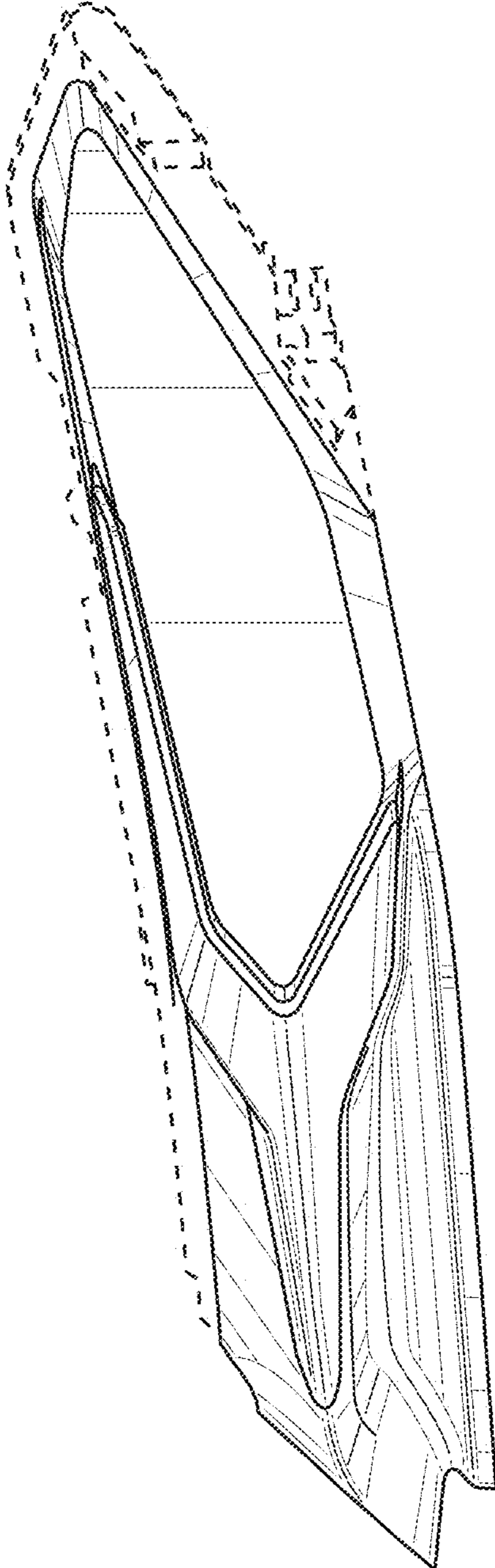
**FIG. 2**



**FIG. 3**



**FIG. 4**



**FIG. 5**

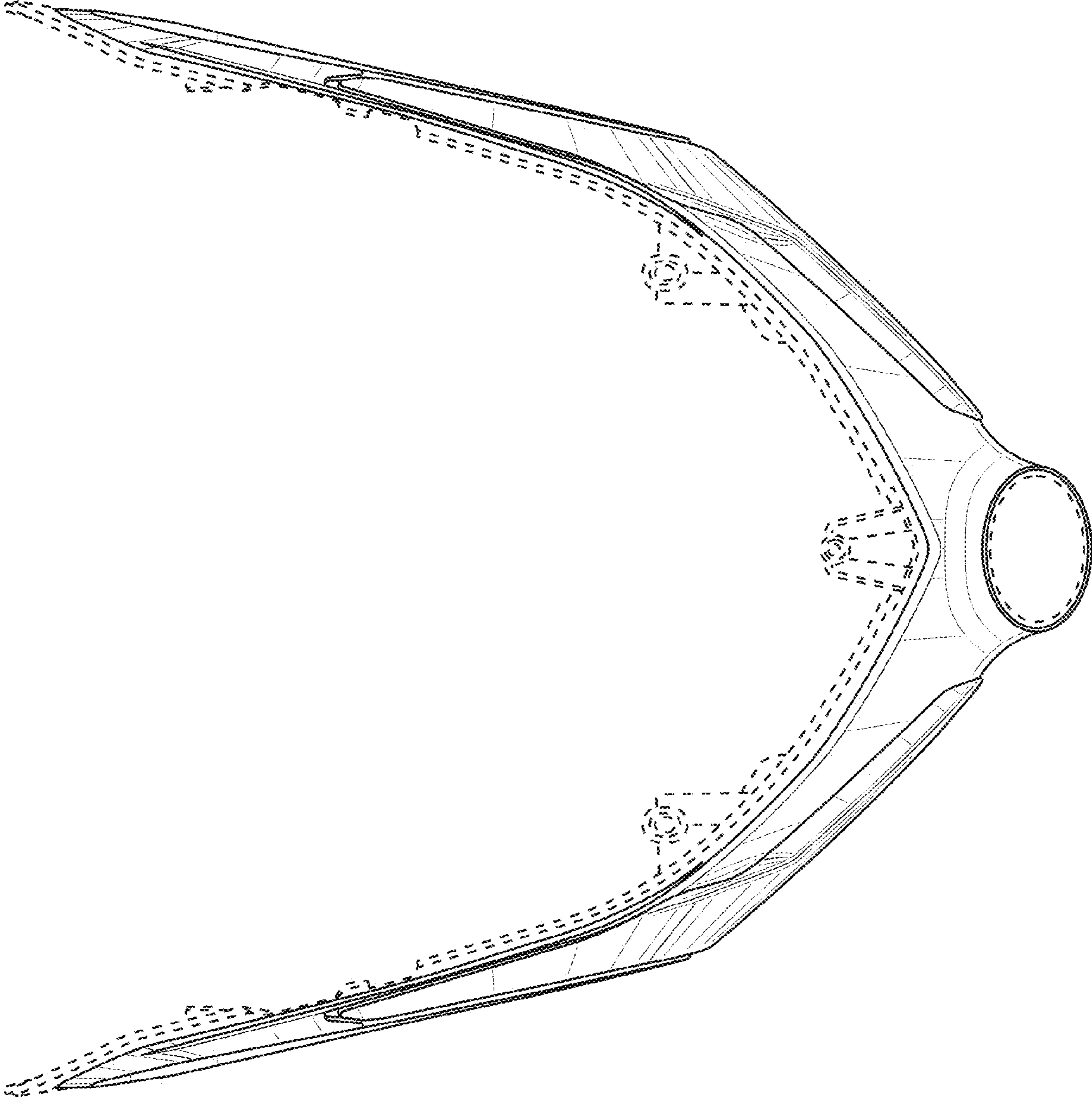
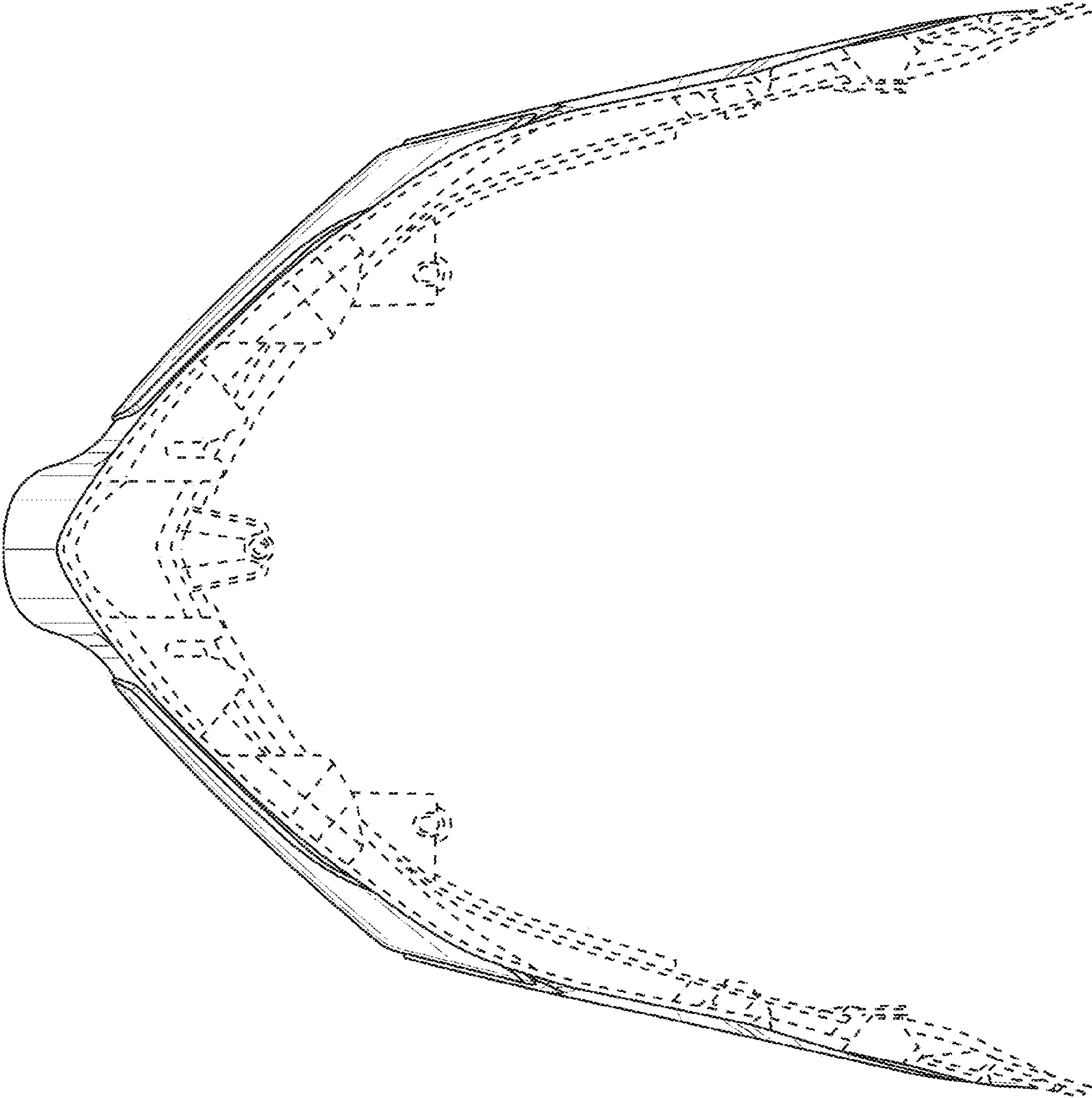


FIG. 6





**FIG. 7**