



US00D892708S

(12) **United States Design Patent**  
**Chen et al.**

(10) **Patent No.:** **US D892,708 S**

(45) **Date of Patent:** **\*\* Aug. 11, 2020**

(54) **UNDERWATER THRUSTER**

(71) Applicant: **E-Link Technology Co., Ltd.**,  
Shenzhen (CN)

(72) Inventors: **Minyi Chen**, Shenzhen (CN); **Pingzhi Li**,  
Shenzhen (CN); **Xihui Jiang**, Shenzhen (CN)

(\*\*) Term: **15 Years**

(21) Appl. No.: **29/687,775**

(22) Filed: **Apr. 16, 2019**

(51) **LOC (12) Cl.** ..... **12-06**

(52) **U.S. Cl.**  
USPC ..... **D12/308**

(58) **Field of Classification Search**  
USPC ..... D12/3, 214, 300, 305, 308, 309, 317,  
D12/324; D21/542  
CPC .... B63B 1/24; B63B 1/26; B63B 1/28; B63B  
34/40; B63B 32/60; B63C 11/00; B63C  
11/46; B63G 8/00; B63G 8/41; B63H  
7/02  
See application file for complete search history.

(56) **References Cited**

**U.S. PATENT DOCUMENTS**

3,503,356	A *	3/1970	Wilson	.....	A63B 35/00 114/315
D242,615	S *	12/1976	Henning	.....	D12/308
D323,808	S *	2/1992	DeSantis	.....	D12/300
5,399,111	A *	3/1995	Kobayashi	.....	B63B 34/00 440/6
5,634,423	A *	6/1997	Lashman	.....	A63B 35/12 114/315
D447,109	S *	8/2001	Paoli	.....	D12/308
8,651,041	B2 *	2/2014	Myers	.....	B63C 11/46 114/315
D861,572	S *	10/2019	Wei	.....	D12/308
D866,445	S *	11/2019	Wu	.....	D12/308
D869,373	S *	12/2019	Wei	.....	D12/308

**OTHER PUBLICATIONS**

Asiwo Turbo—Indiegogo, www.indiegogo.com [online]. Published on or before Sep. 27, 2019, [retrieved on May 21, 2020]. Retrieved from the Internet: <URL:https://www.indiegogo.com/projects/asiwo-turbo-the-fastest-underwater-scooter#/> (Year: 2019).\*

Underwater Sea Scooter—Asiwo Turbo, www.seascooter.co [online]. Published on or before May 21, 2020, [retrieved on May 21, 2020]. Retrieved from the Internet: <URL:https://www.seascooter.co/> (Year: 2020).\*

Underwater Scooter—Asiwo, asiwo.com [online]. Published on or before May 21, 2020, [retrieved on May 21, 2020]. Retrieved from the Internet: <URL:https://asiwo.com/underwater-scooter-electric-sea-scooter-with-3-speed-compatible-with-gopro-white.html> (Year: 2020).\*

\* cited by examiner

*Primary Examiner* — Karen E Kearney

*Assistant Examiner* — Adam C Mager

(74) *Attorney, Agent, or Firm* — ZANIP

(57) **CLAIM**

The ornamental design for an underwater thruster, as shown and described.

**DESCRIPTION**

FIG. 1 is a first perspective view of an underwater thruster showing my design;

FIG. 2 is a second perspective view thereof;

FIG. 3 is a front view thereof;

FIG. 4 is a back view thereof;

FIG. 5 is a left side view thereof;

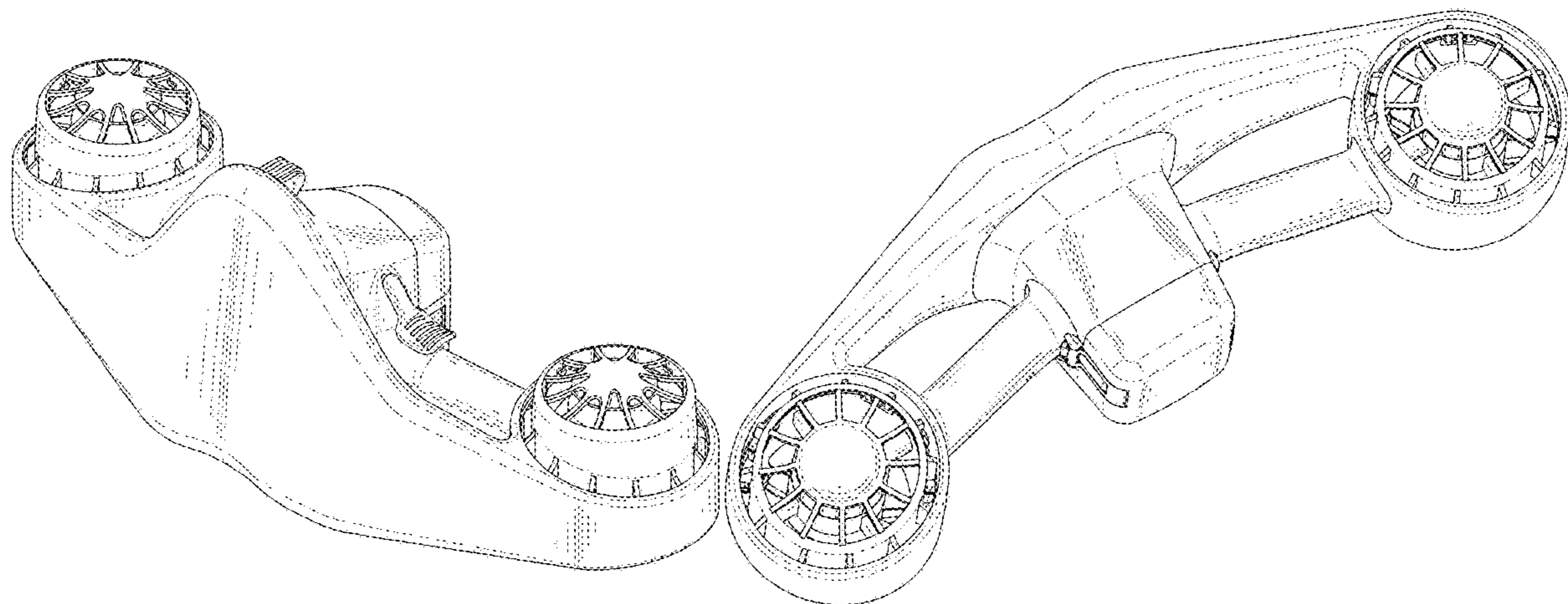
FIG. 6 is a right side view thereof;

FIG. 7 is a top view thereof; and,

FIG. 8 is a bottom view thereof.

The broken lines shown in the drawings depict portions of the underwater thruster in which the design is embodied that form no part of the claimed design.

**1 Claim, 8 Drawing Sheets**



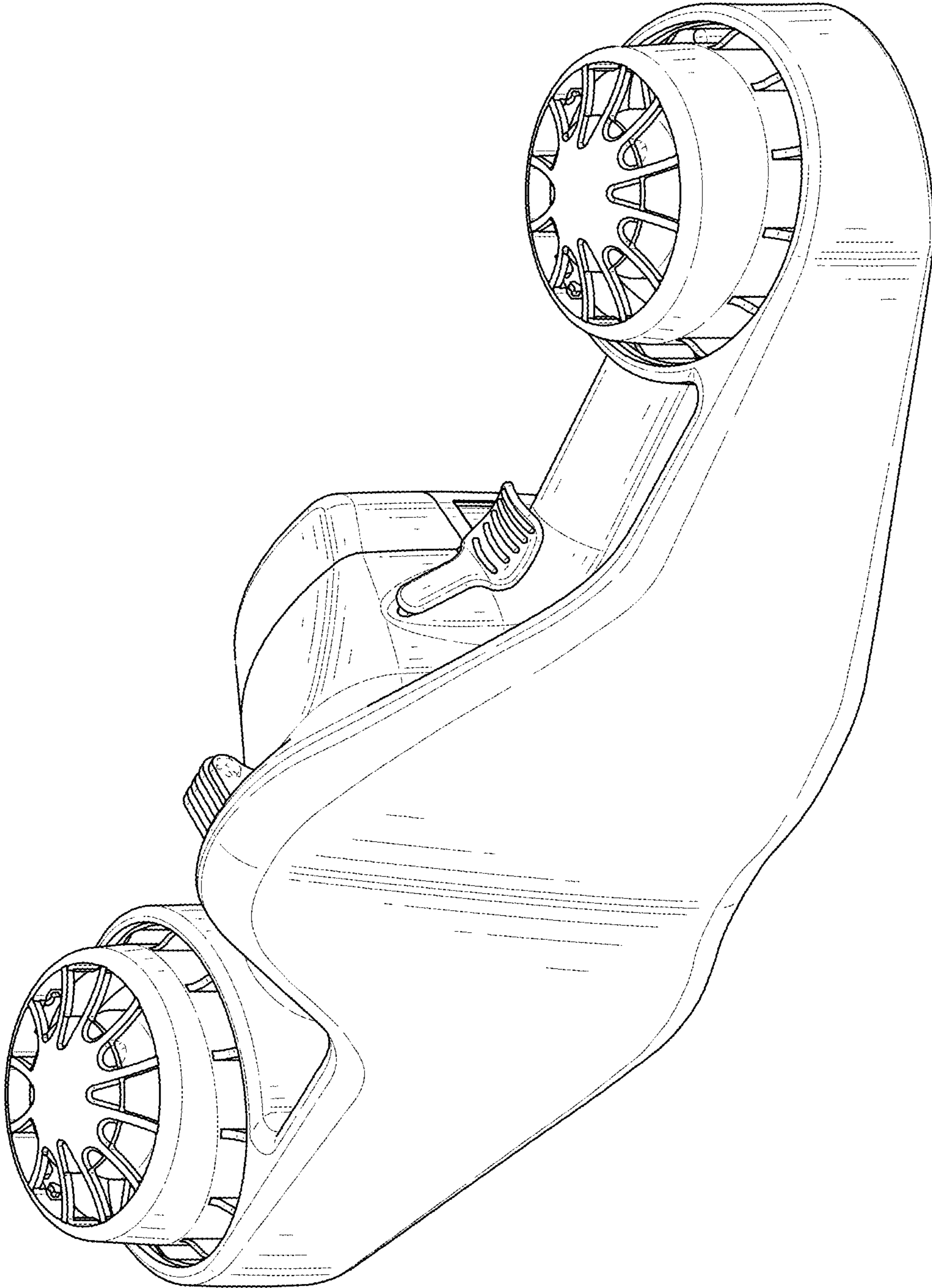


FIG. 1

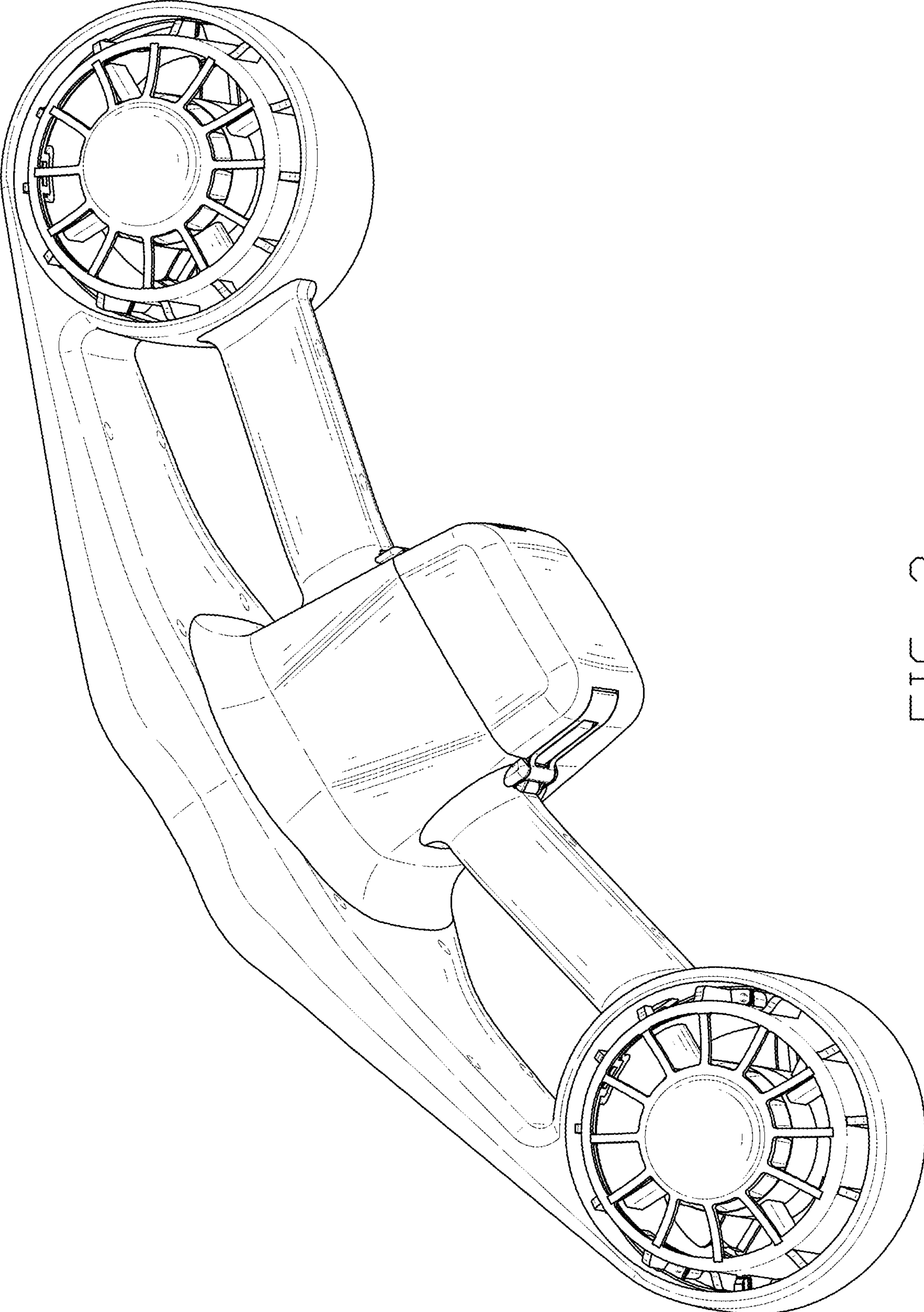


FIG. 2

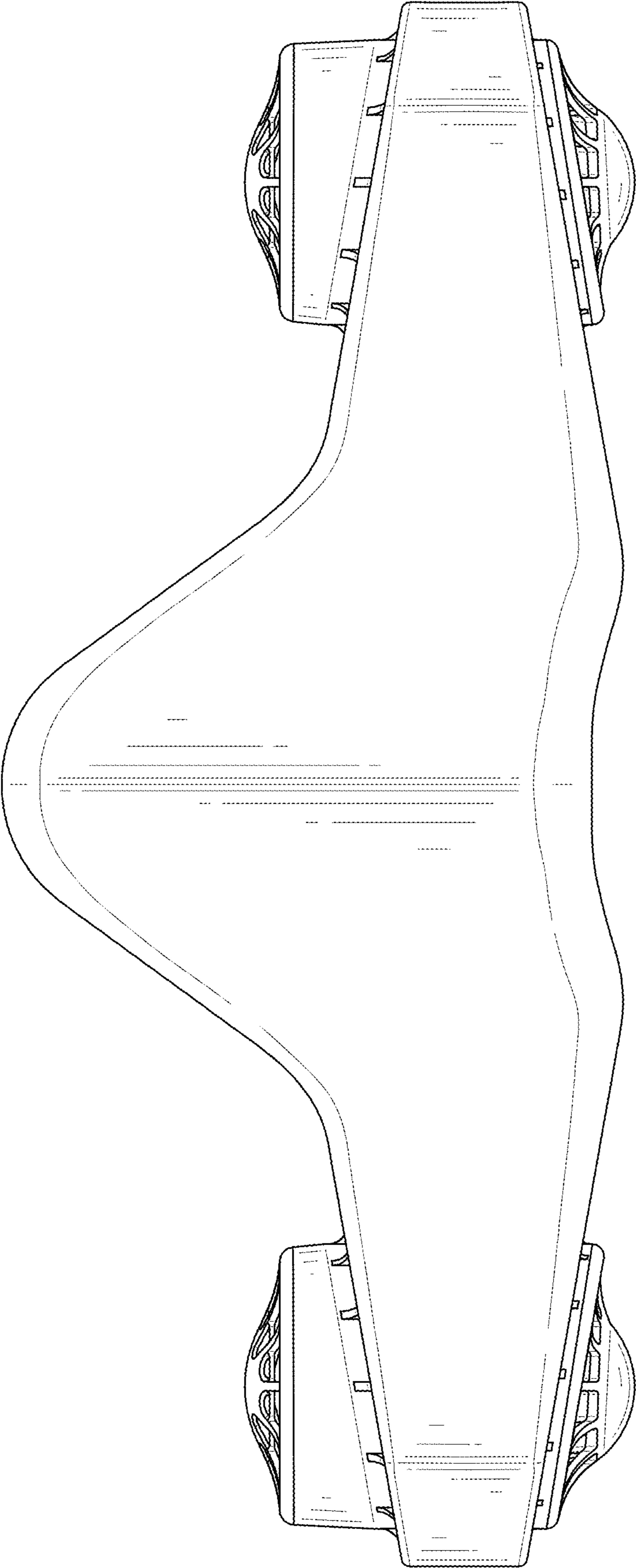


FIG. 3

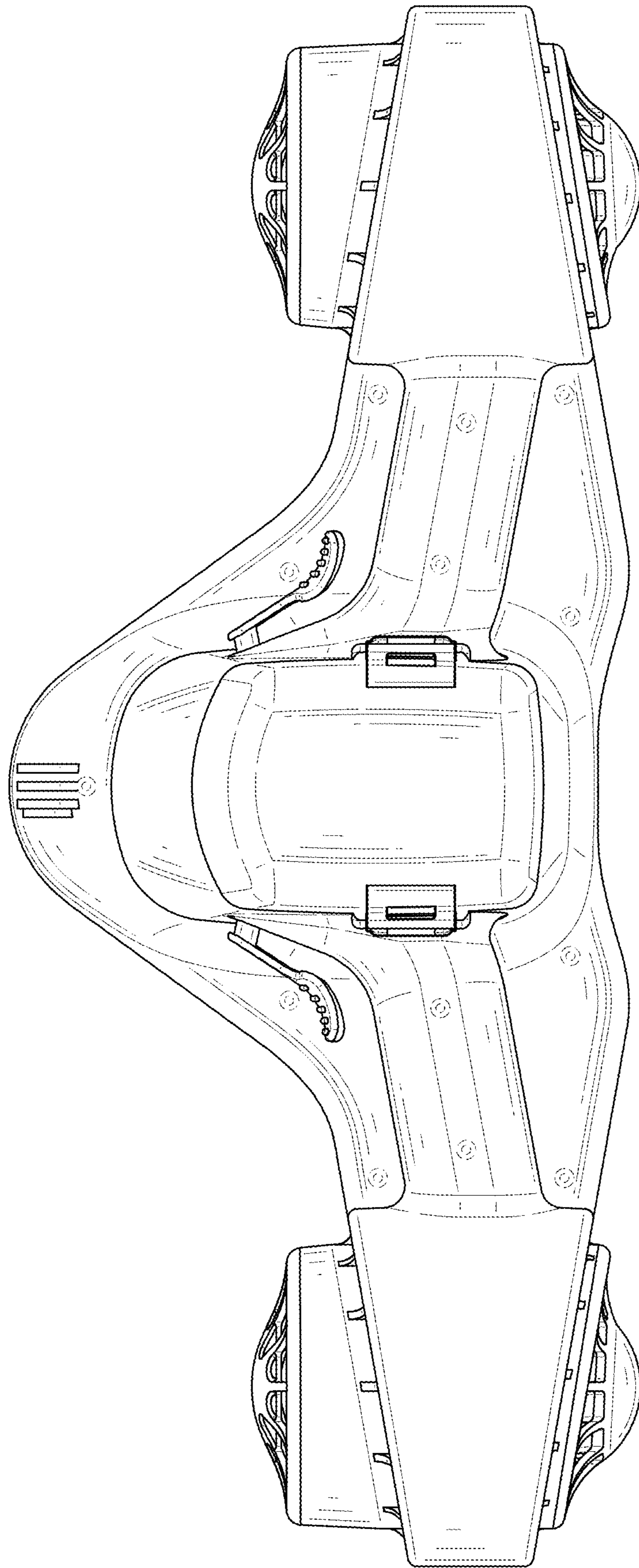


FIG. 4

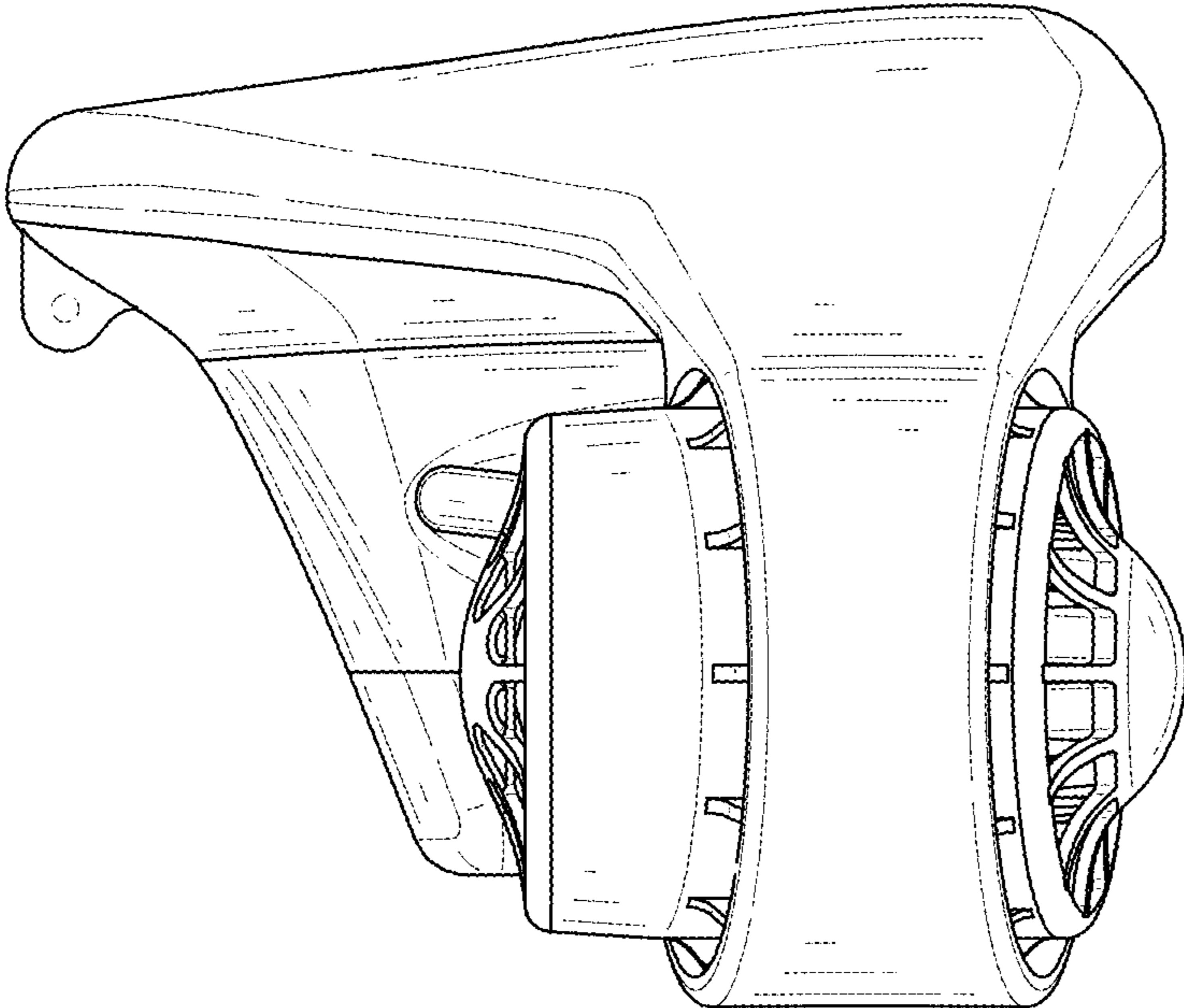


FIG. 5

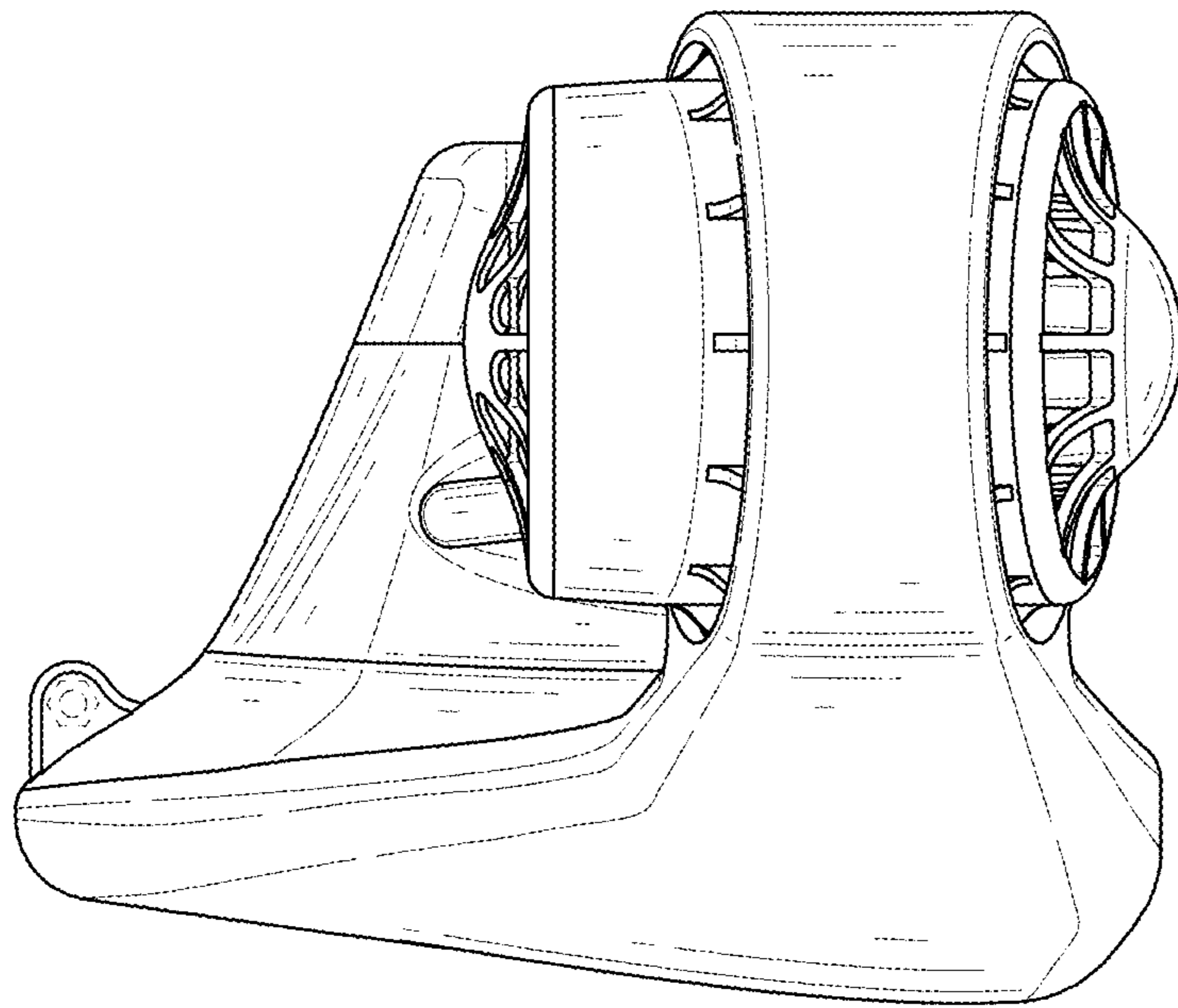


FIG. 6

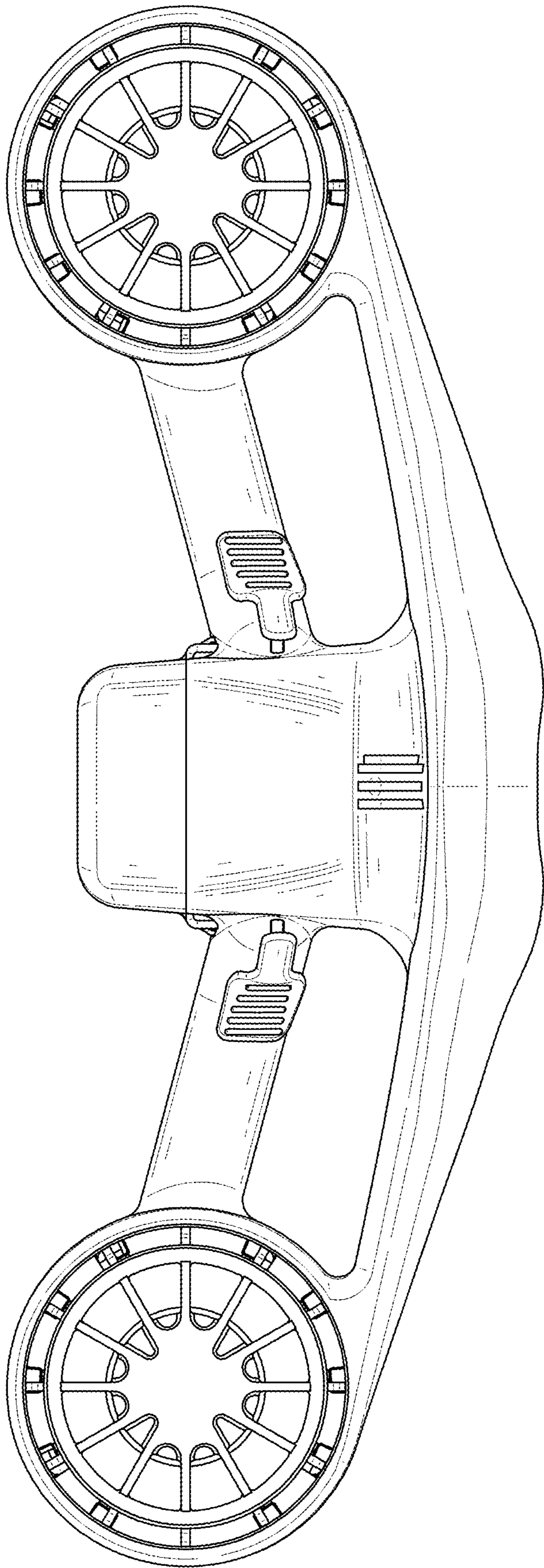


FIG. 7



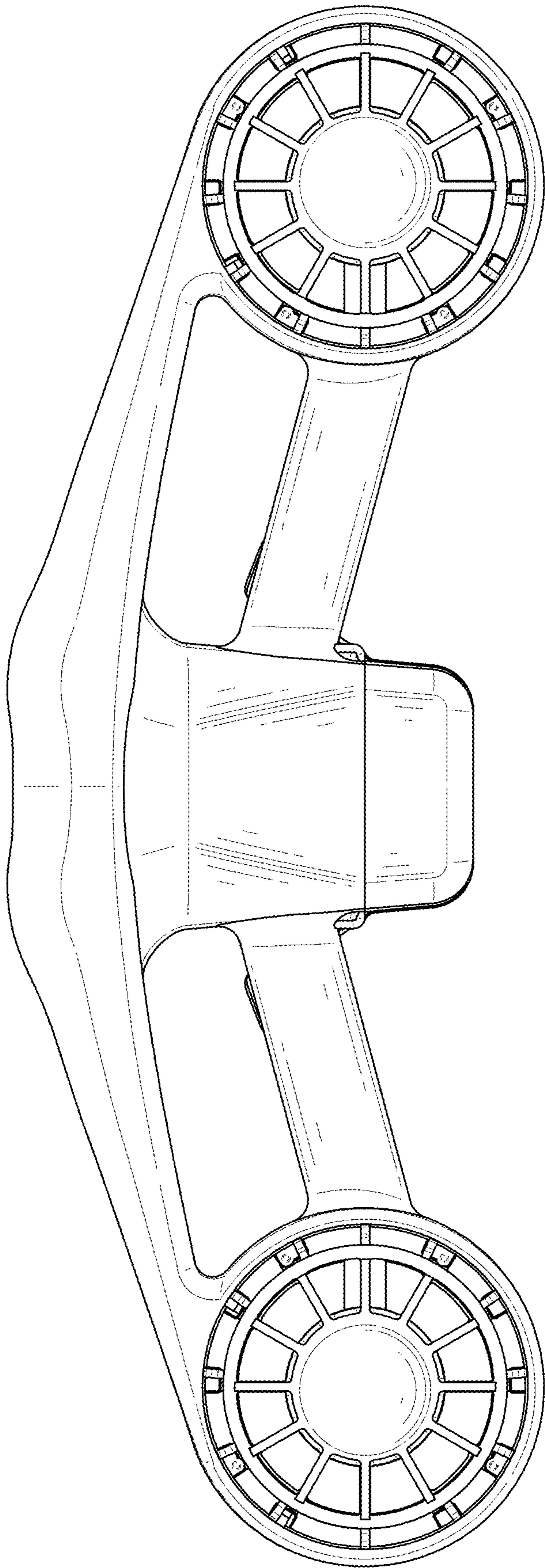


FIG. 8