



US00D892707S

(12) **United States Design Patent** (10) **Patent No.:** **US D892,707 S**  
**Sveum et al.** (45) **Date of Patent:** **\*\* \*Aug. 11, 2020**

- (54) **WHEEL CHOCK**
- (71) Applicant: **Rite-Hite Holding Corporation**,  
Milwaukee, WI (US)
- (72) Inventors: **Matthew Sveum**, Wauwatosa, WI (US);  
**Alan Mushynski**, Brookfield, WI (US)
- (73) Assignee: **RITE-HITE HOLDING CORPORATION**, Milwaukee, WI (US)
- (\*) Notice: This patent is subject to a terminal disclaimer.
- (\*\*) Term: **15 Years**
- (21) Appl. No.: **29/629,082**
- (22) Filed: **Dec. 11, 2017**
- (51) **LOC (12) Cl.** ..... **12-16**
- (52) **U.S. Cl.**  
USPC ..... **D12/217**
- (58) **Field of Classification Search**  
USPC ..... D12/217, 400, 223; D34/31, 32, 38;  
D25/102, 113; D8/354  
See application file for complete search history.

- 4,917,219 A \* 4/1990 Henry ..... B60T 3/00  
188/32
- D316,243 S \* 4/1991 Henry ..... D12/217
- D326,254 S \* 5/1992 Ziaylek, Jr. .... D12/217
- D409,554 S \* 5/1999 Henry ..... D12/217
- D503,139 S \* 3/2005 Colak ..... D12/217

(Continued)

**OTHER PUBLICATIONS**

PRC National Intellectual Property Administration, "Notice of Granting Patent Right for Design," issued in connection with Chinese Design Application No. 201830292408.X, dated Sep. 14, 2018, 3 pages.

(Continued)

*Primary Examiner* — Stacia A Cadmus  
(74) *Attorney, Agent, or Firm* — Hanley, Flight & Zimmerman, LLC

(57) **CLAIM**

The ornamental design for a wheel chock, as shown and described.

**DESCRIPTION**

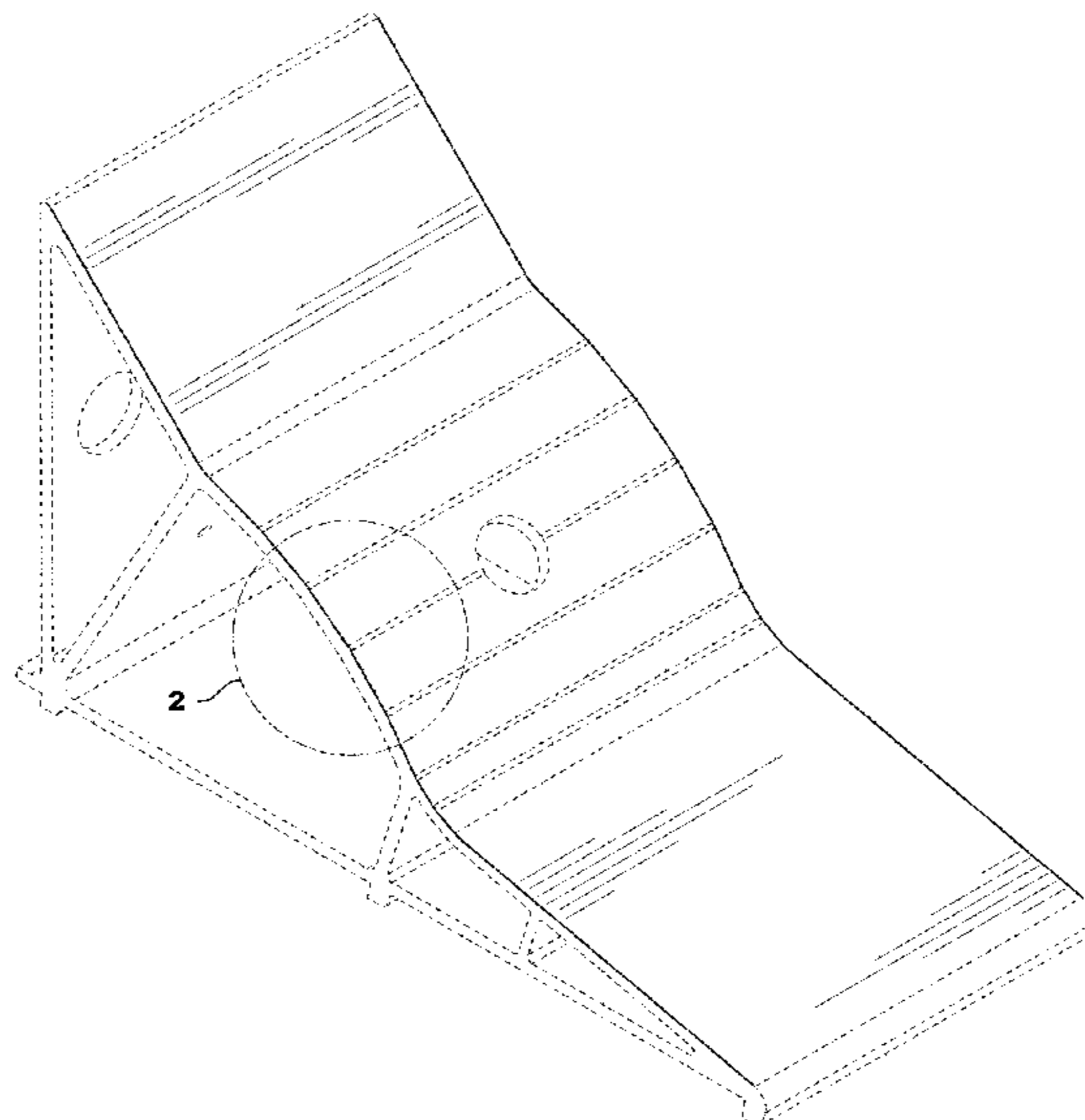
FIG. 1 is a left side, front perspective view of a wheel chock disclosed herein;  
FIG. 2 is an enlarged partial view of the wheel chock indicated by area 2 in FIG. 1;  
FIG. 3 is a left side elevation view thereof;  
FIG. 4 is a right side elevation view thereof;  
FIG. 5 is a front elevation view thereof;  
FIG. 6 is a rear elevation view thereof;  
FIG. 7 is a top plan view thereof;  
FIG. 8 is a bottom view thereof; and,  
FIG. 9 is a rear, left side perspective view thereof.  
The broken lines in the drawings illustrate portions of the wheel chock that form no part of the claimed design.

**1 Claim, 5 Drawing Sheets**

(56) **References Cited**

**U.S. PATENT DOCUMENTS**

- D57,774 S \* 5/1921 Francis ..... D12/217
- D210,304 S \* 2/1968 Davis ..... D12/217
- D219,236 S \* 11/1970 Hudak et al. .... D12/217
- 3,647,029 A \* 3/1972 Hanley ..... B60T 3/00  
188/32
- D235,332 S \* 6/1975 Richilano ..... D12/217
- 3,993,167 A \* 11/1976 Reed ..... B60T 3/00  
188/32
- 4,144,951 A \* 3/1979 Rea ..... B60T 3/00  
188/32
- 4,781,271 A \* 11/1988 Wokeck ..... B60T 3/00  
188/32



(56)

**References Cited**

U.S. PATENT DOCUMENTS

D520,438 S \* 5/2006 Colak ..... D12/217  
7,040,461 B2 \* 5/2006 Chrisco ..... B60T 3/00  
188/32  
D543,926 S \* 6/2007 Kutzler ..... D12/217  
D857,602 S \* 8/2019 Sveum ..... D12/217  
D875,640 S \* 2/2020 Sveum ..... D12/217

OTHER PUBLICATIONS

Intellectual Property Australia, "Certificate of Registration," issued in connection with Australian Design No. 201813456, dated Jul. 6, 2018, 8 pages.

Intellectual Property Australia, "Certificate of Registration," issued in connection with Australian Design No. 201813460, dated Jul. 9, 2018, 8 pages.

Intellectual Property Australia, "Certificate of Registration," issued in connection with Australian Design No. 201813461, dated Jul. 6, 2018, 8 pages.

Intellectual Property Australia, "Certificate of Registration," issued in connection with Australian Design No. 201813462, dated Jul. 6, 2018, 8 pages.

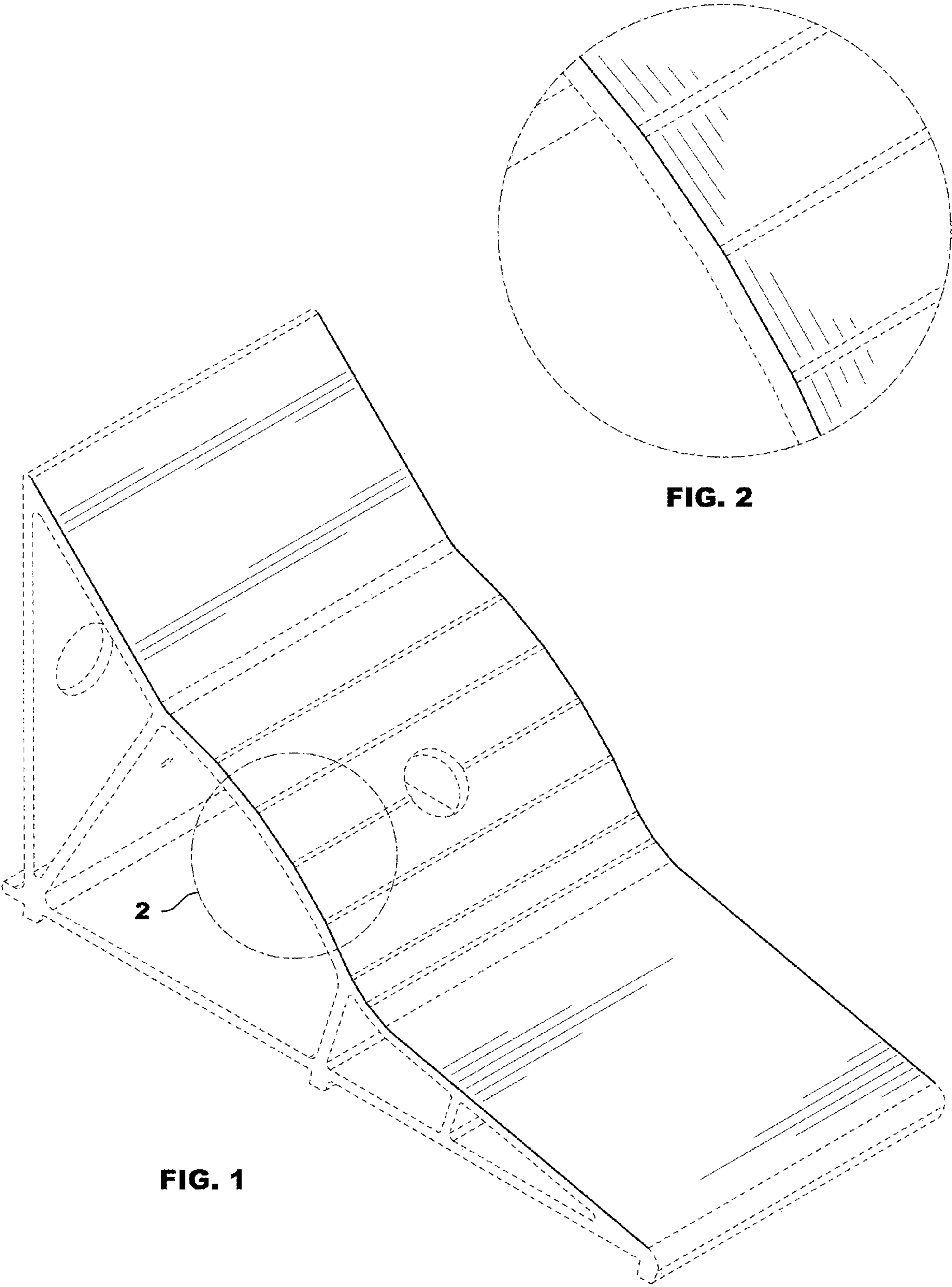
United States Patent and Trademark Office, "Notice of Allowance and Fee(s) Due," issued in connection with U.S. Appl. No. 29/629,036, dated Apr. 2, 2019, 20 pages.

United States Patent and Trademark Office, "Notice of Allowance and Fee(s) Due," issued in connection with U.S. Appl. No. 29/629,044, dated Oct. 10, 2019, 26 pages.

United States Patent and Trademark Office, "Non-Final Office Action," issued in connection with U.S. Appl. No. 29/629,050, dated Oct. 3, 2019, 21 pages.

United States Patent and Trademark Office, "Notice of Allowance and Fee(s) Due," issued in connection with U.S. Appl. No. 29/629,050, dated Mar. 23, 2020, 7 pages.

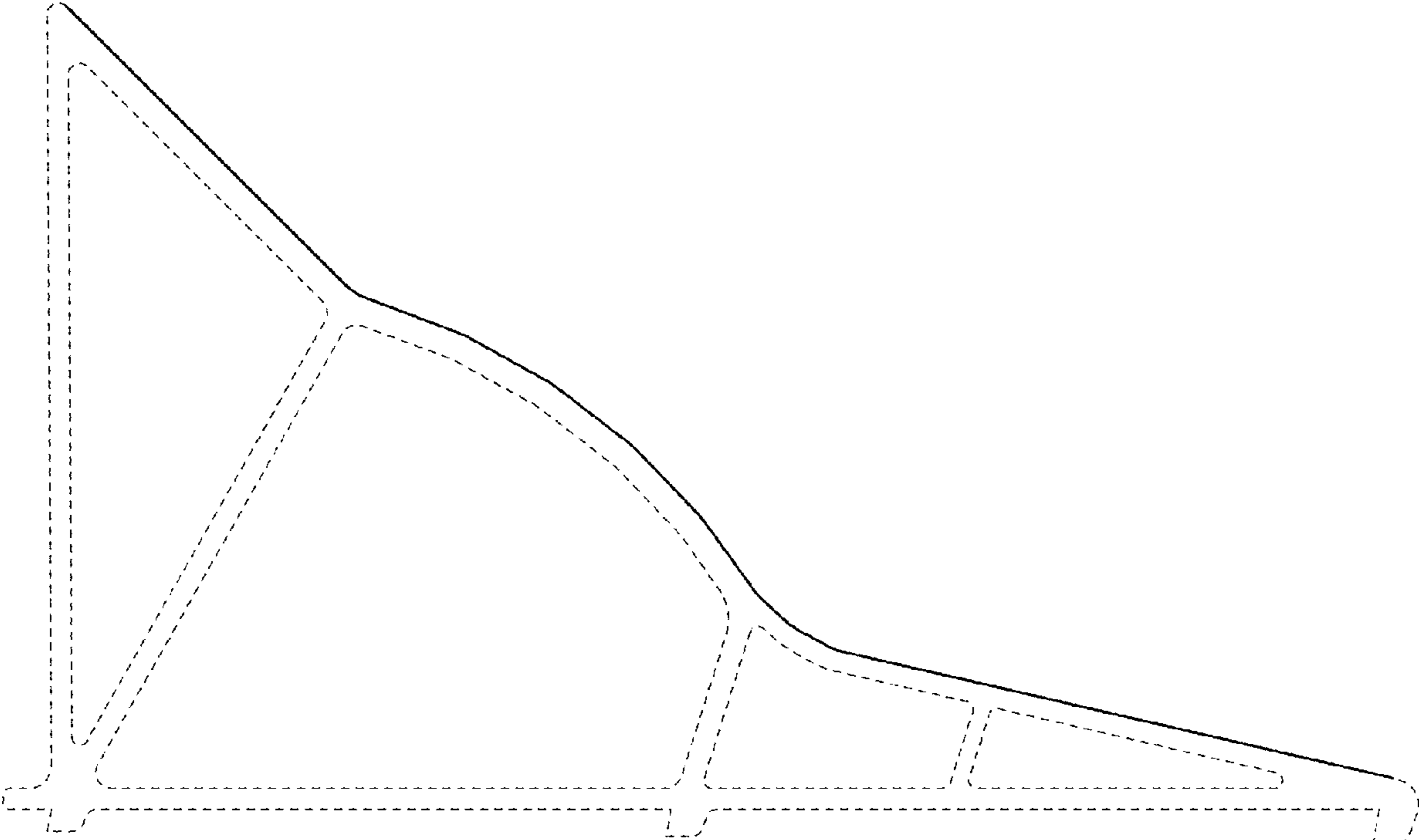
\* cited by examiner



2

FIG. 2

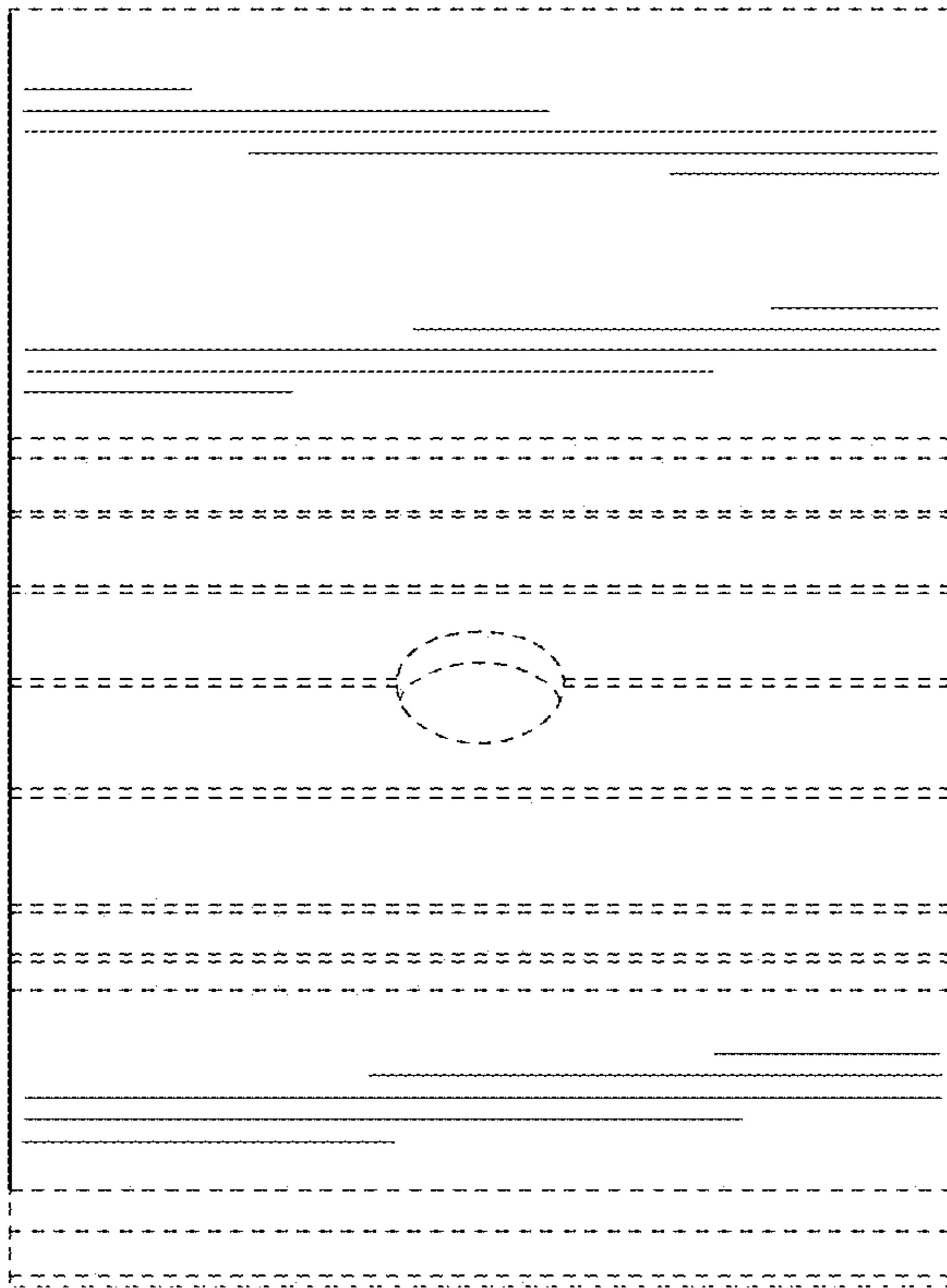
FIG. 1



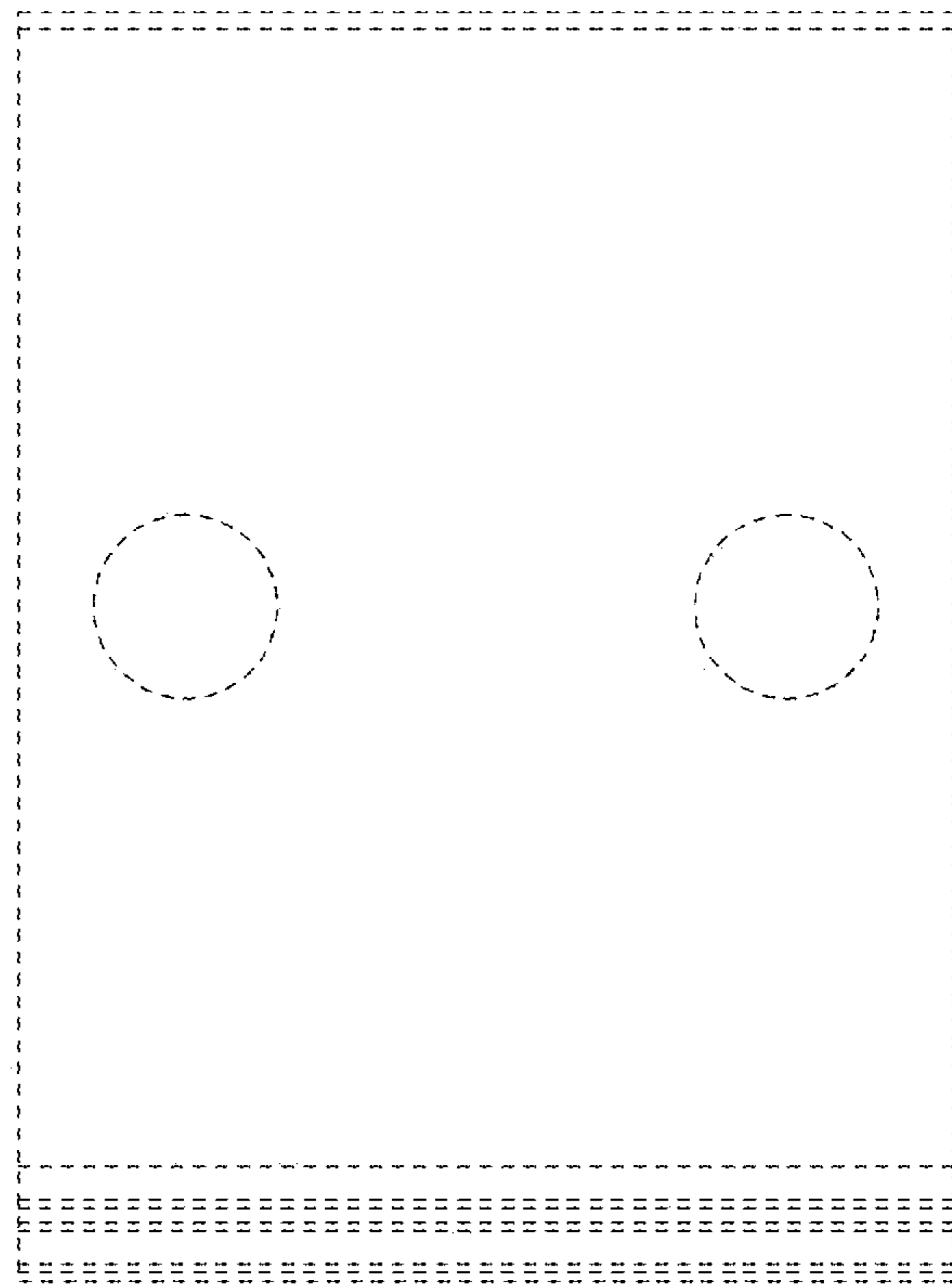
**FIG. 3**



**FIG. 4**

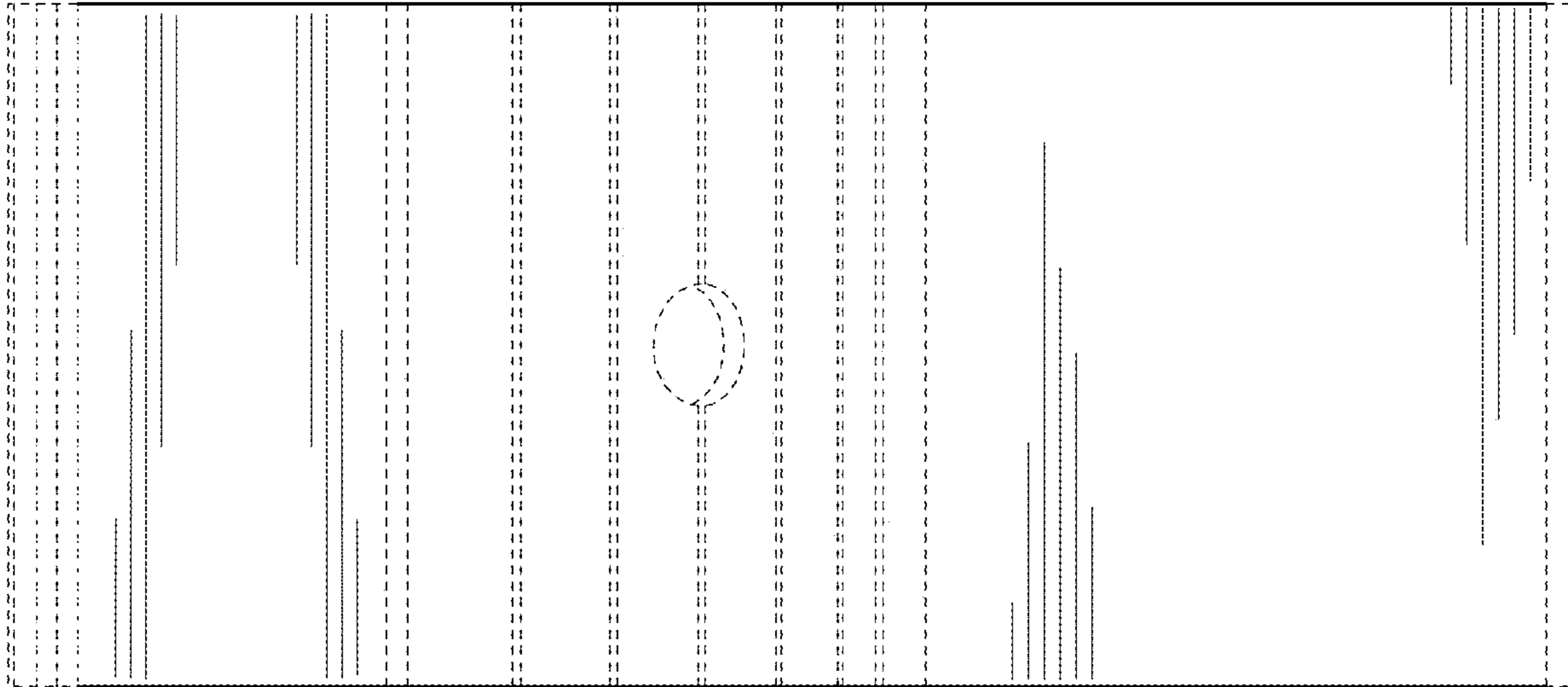


**FIG. 5**

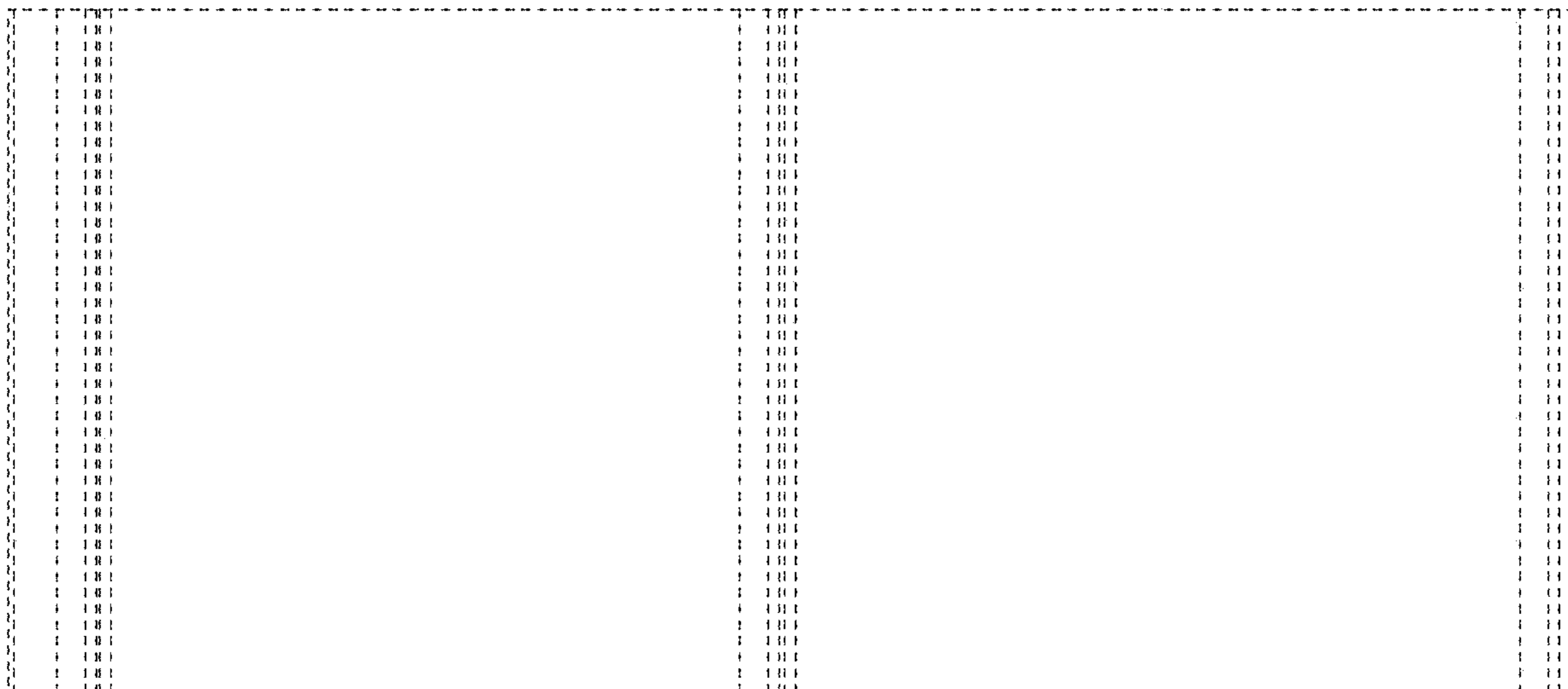


**FIG. 6**

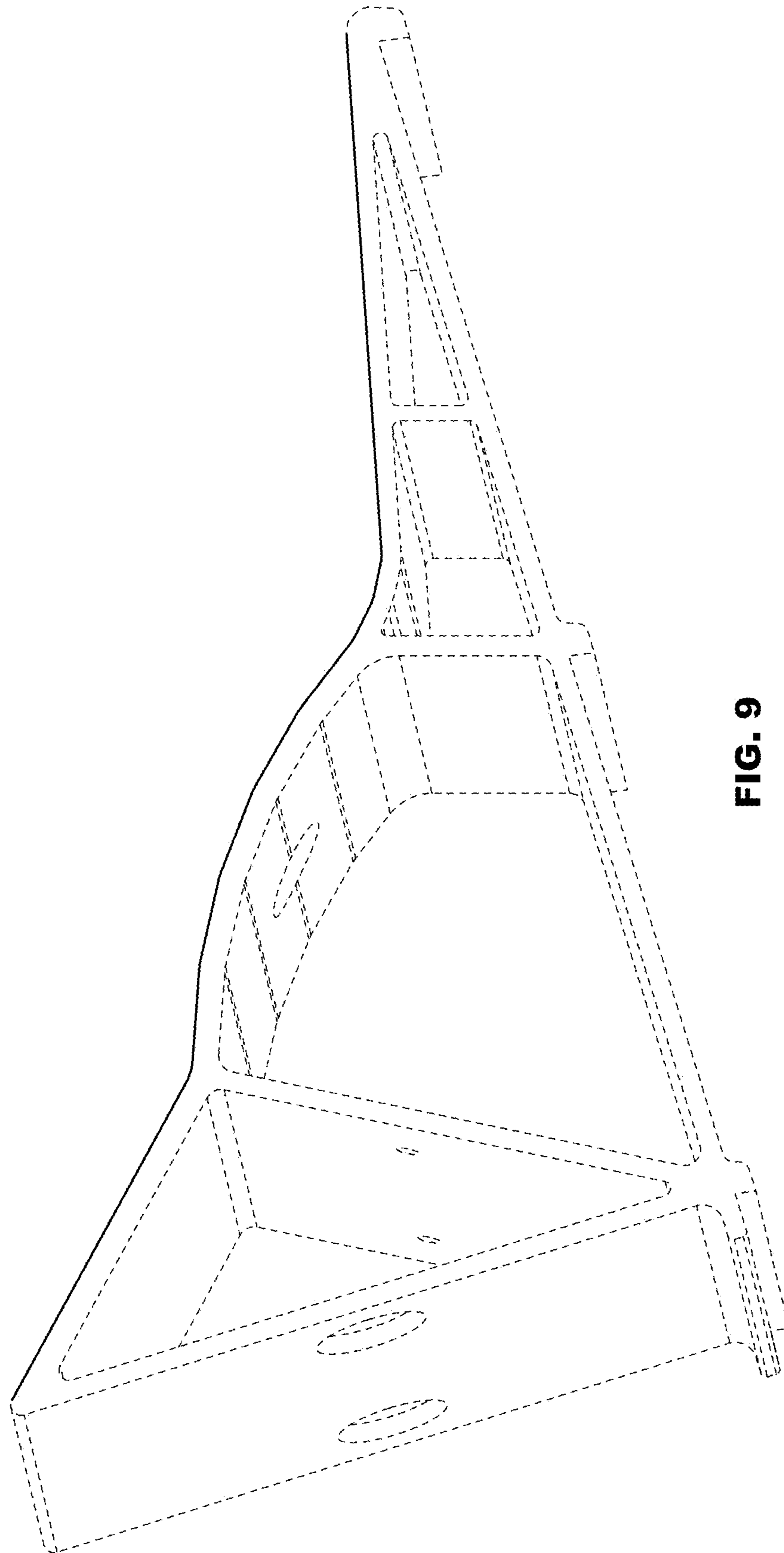




**FIG. 7**



**FIG. 8**



**FIG. 9**