



US00D892704S

(12) **United States Design Patent**
Bae

(10) **Patent No.:** **US D892,704 S**

(45) **Date of Patent:** **** Aug. 11, 2020**

(54) **WHEEL FOR AUTOMOBILE**

(71) Applicant: **HONDA MOTOR CO., LTD.**, Tokyo (JP)

(72) Inventor: **Sungjun Bae**, Wako (JP)

(73) Assignee: **HONDA MOTOR CO., LTD.**, Tokyo (JP)

(**) Term: **15 Years**

(21) Appl. No.: **29/692,630**

(22) Filed: **May 28, 2019**

(30) **Foreign Application Priority Data**

Nov. 30, 2018 (JP) 2018-026057

(51) **LOC (12) Cl.** **12-16**

(52) **U.S. Cl.**
USPC **D12/209**

(58) **Field of Classification Search**

USPC D12/204–213; D21/563
CPC B60B 7/00; B60B 7/02; B60B 7/04; B60B 7/01; B60B 7/06; B60B 3/02; B60B 3/04; B60B 3/06; B60B 3/10; B60B 1/00; B60B 1/08; B60B 1/10; B60B 1/12

See application file for complete search history.

(56) **References Cited**

U.S. PATENT DOCUMENTS

D614,558 S * 4/2010 Luciani D12/209
D671,477 S * 11/2012 Juergens D12/209

D714,203 S * 9/2014 George D12/209
D728,441 S * 5/2015 Zhang D12/209
D744,925 S * 12/2015 Wheel D12/209
D746,750 S * 1/2016 Curtis D12/209
D760,139 S * 6/2016 Dionisopoulos D12/209
D784,233 S * 4/2017 Hejtmanek D12/209
D794,526 S * 8/2017 Patel D12/209
D811,979 S * 3/2018 Svensson D12/211
D827,540 S * 9/2018 Hilton D12/209
D842,187 S * 3/2019 Tomasson D12/209
D875,016 S * 2/2020 Bucher D12/209

* cited by examiner

Primary Examiner — Stacia A Cadmus

(74) *Attorney, Agent, or Firm* — Westerman, Hattori, Daniels & Adrian, LLP

(57) **CLAIM**

The ornamental design for a wheel for automobile, as shown and described.

DESCRIPTION

FIG. 1 is a perspective view of a wheel for automobile; FIG. 2 is a front elevation view thereof; FIG. 3 is a right side elevation view thereof; FIG. 4 is a left side elevation view thereof; FIG. 5 is a top plan view thereof; FIG. 6 is a bottom plan view thereof; and, FIG. 7 is a partial enlarged view in the perspective thereof. The broken lines shown in the drawings illustrate portions of the wheel for automobile that form no part of the claimed design.

1 Claim, 7 Drawing Sheets

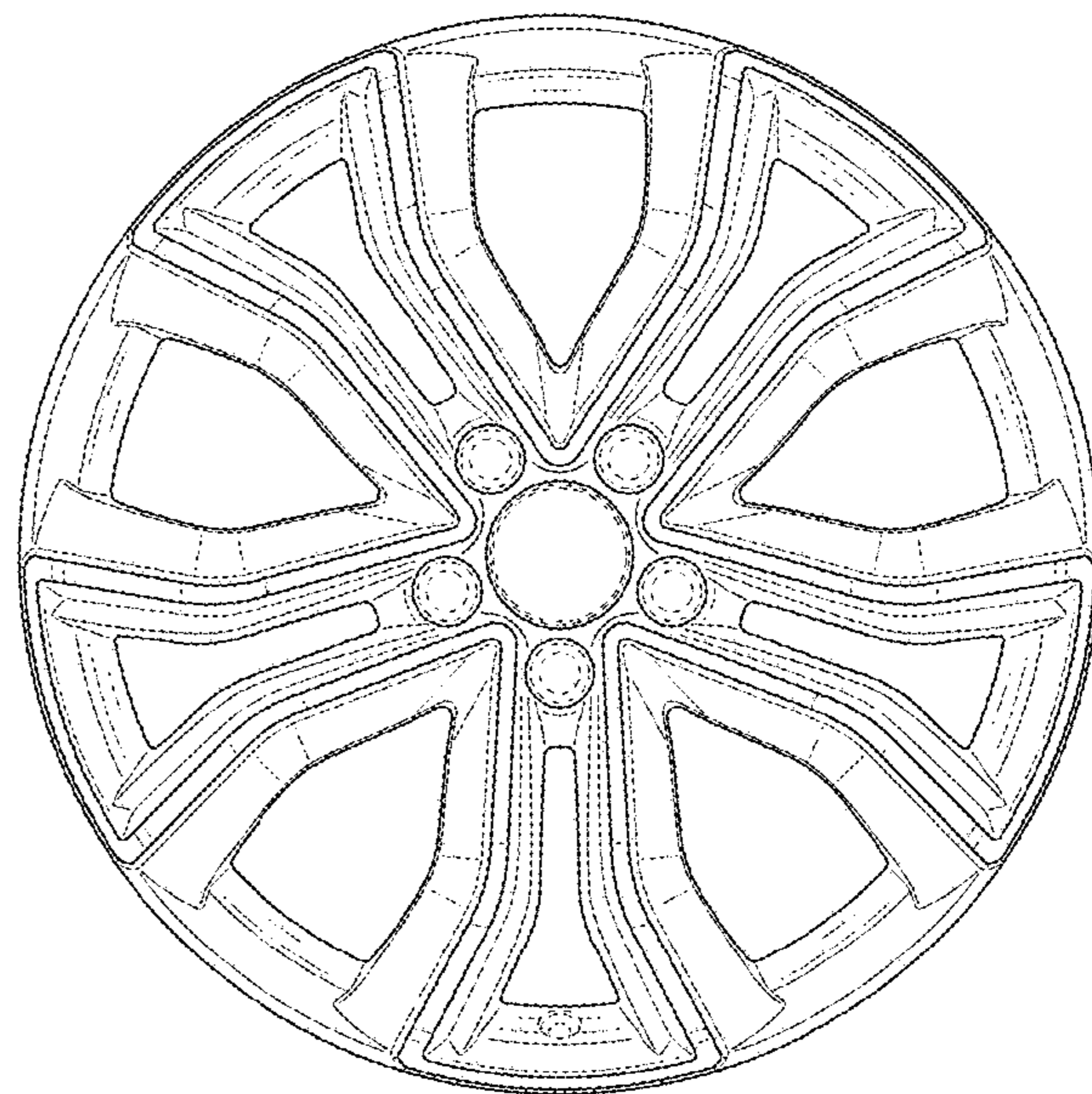
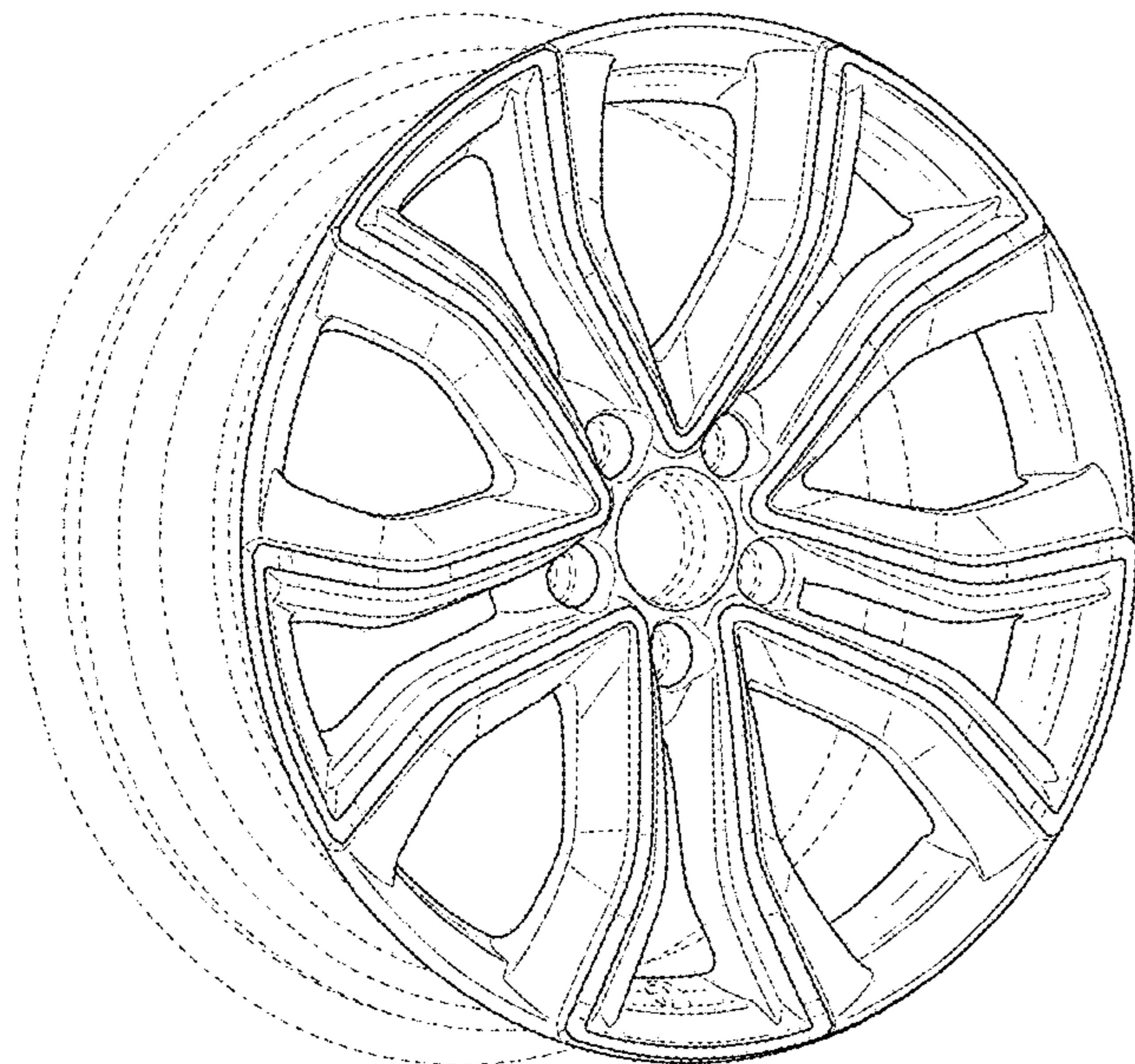


FIG. 1

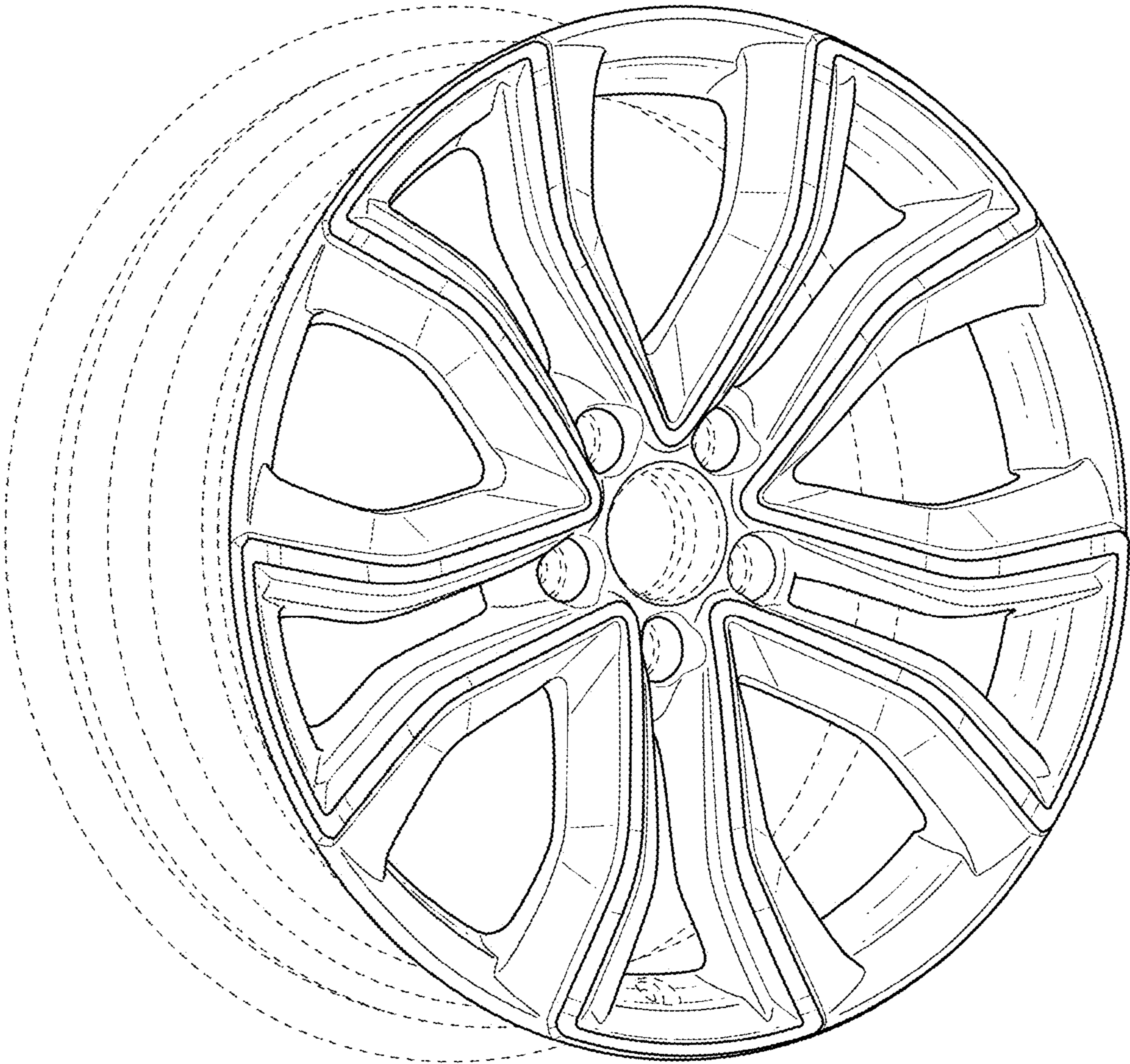


FIG. 2

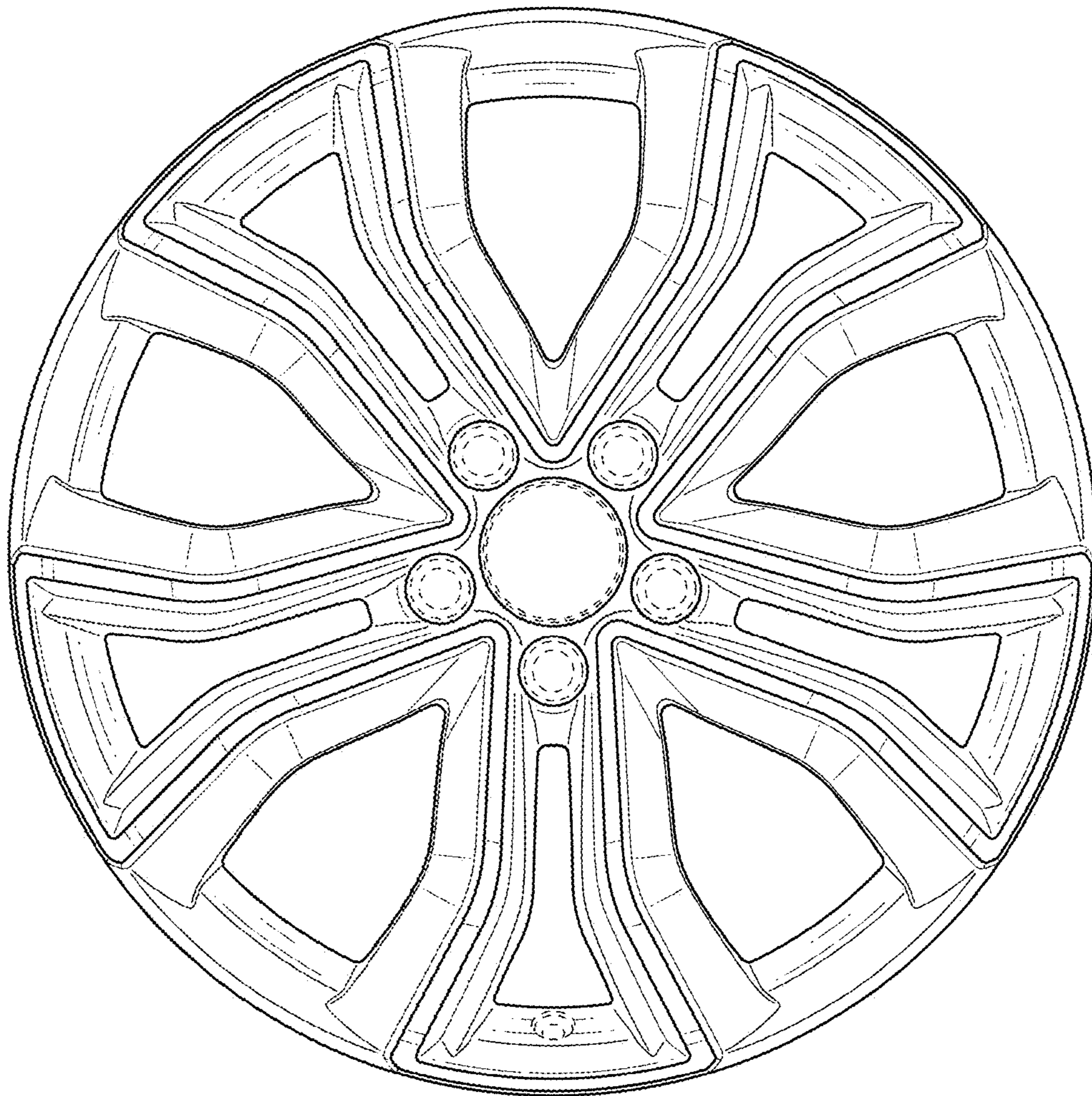


FIG. 3

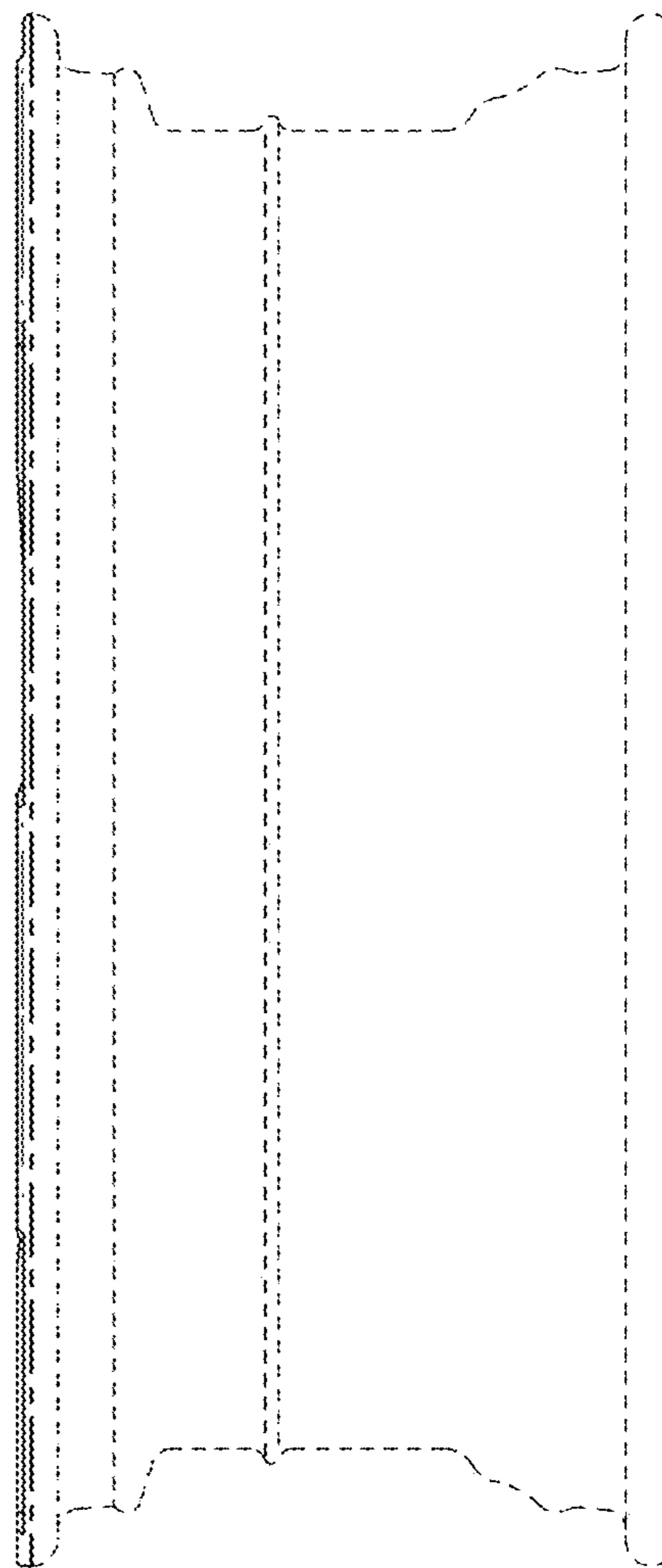


FIG. 4

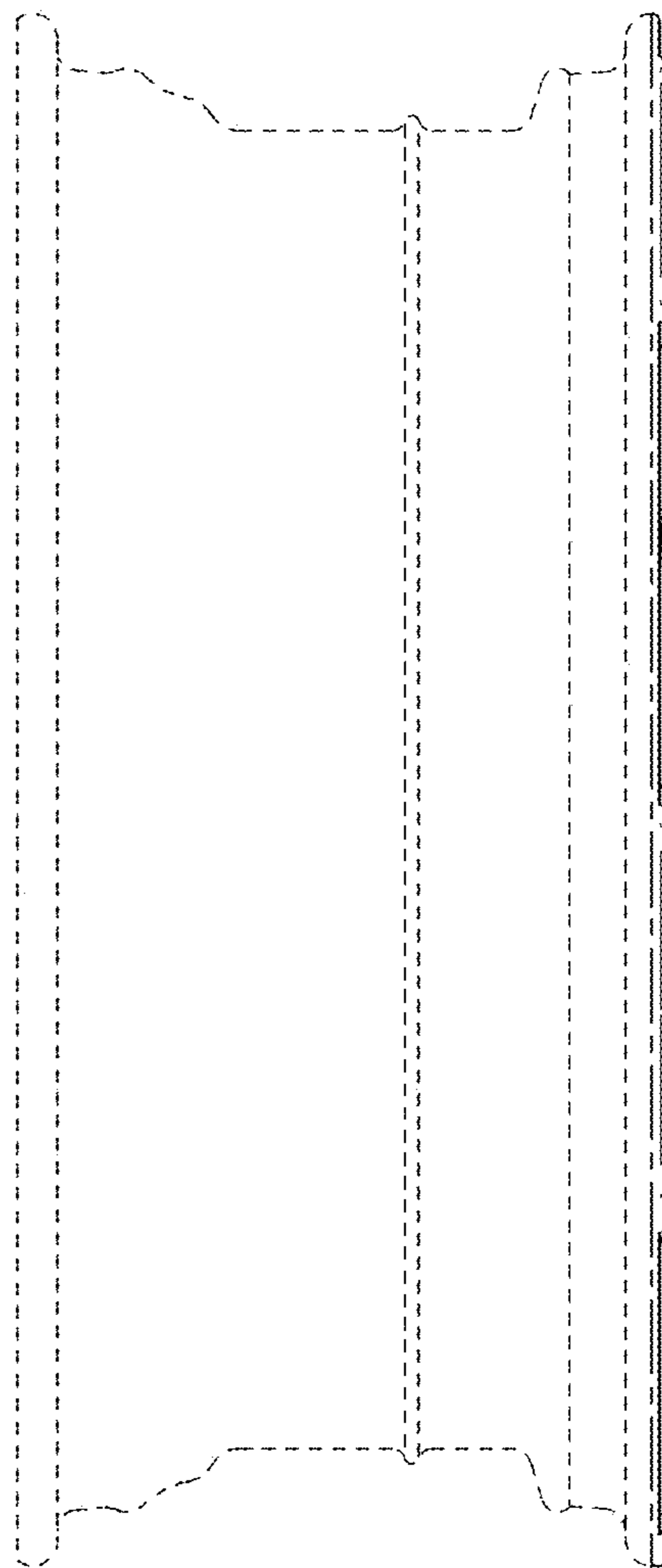


FIG. 5



FIG. 6

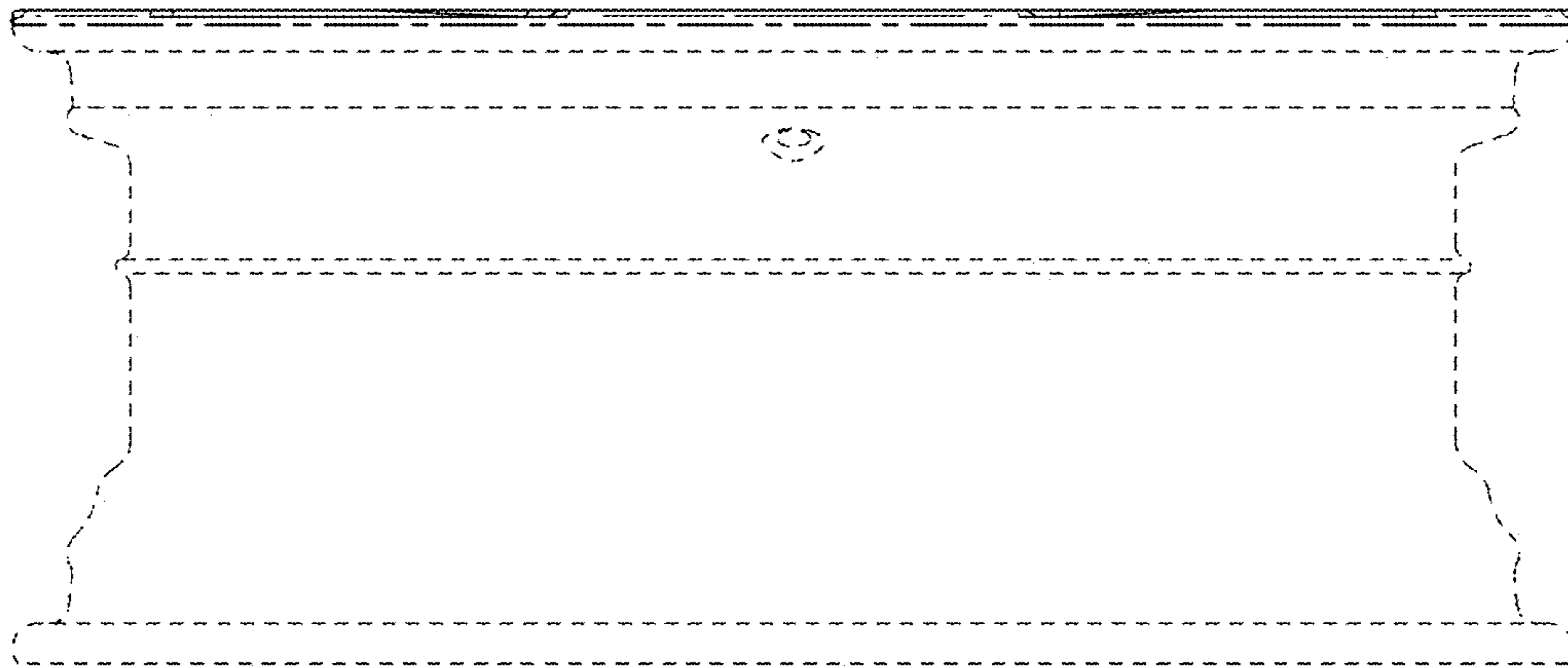


FIG. 7

