



US00D892703S

(12) **United States Design Patent**
Bae

(10) **Patent No.:** **US D892,703 S**

(45) **Date of Patent:** **** Aug. 11, 2020**

(54) **WHEEL FOR AUTOMOBILE**

(71) Applicant: **HONDA MOTOR CO., LTD.**, Tokyo (JP)

(72) Inventor: **Sungjun Bae**, Wako (JP)

(73) Assignee: **HONDA MOTOR CO., LTD.**, Tokyo (JP)

(**) Term: **15 Years**

(21) Appl. No.: **29/692,627**

(22) Filed: **May 28, 2019**

(30) **Foreign Application Priority Data**

Nov. 30, 2018 (JP) 2018-026054

(51) **LOC (12) Cl.** **12-16**

(52) **U.S. Cl.**
USPC **D12/209**

(58) **Field of Classification Search**

USPC D12/204-213; D21/563

CPC B60B 7/00; B60B 7/02; B60B 7/04; B60B

7/01; B60B 7/06; B60B 3/02; B60B 3/04;

B60B 3/06; B60B 3/10; B60B 1/00;

B60B 1/08; B60B 1/10; B60B 1/12

See application file for complete search history.

(56) **References Cited**

U.S. PATENT DOCUMENTS

D608,713 S * 1/2010 Bucher D12/209

D614,558 S * 4/2010 Luciani D12/209

D649,503 S * 11/2011 Platto D12/209

D674,330 S * 1/2013 Kito D12/209

D697,007 S * 1/2014 Pollmann D12/209

D728,441 S * 5/2015 Zhang D12/209

D734,234 S * 7/2015 Juergens D12/209

D744,925 S * 12/2015 Wheel D12/209

D760,139 S * 6/2016 Dionisopoulos D12/209

D766,153 S * 9/2016 Wheel D12/209

D777,076 S * 1/2017 Trpinac D12/211

D795,148 S * 8/2017 Ariga D12/209

D797,635 S * 9/2017 Rueckheim D12/209

D823,772 S * 7/2018 Mielke D12/209

D827,539 S * 9/2018 Behmer D12/209

D827,540 S * 9/2018 Hilton D12/209

D834,486 S * 11/2018 Patel D12/209

D856,894 S * 8/2019 Valencia Pollex D12/209

D875,016 S * 2/2020 Bucher D12/209

D879,697 S * 3/2020 Battams D12/209

* cited by examiner

Primary Examiner — Stacia A Cadmus

(74) *Attorney, Agent, or Firm* — Westerman, Hattori, Daniels & Adrian, LLP

(57) **CLAIM**

The ornamental design for a wheel for automobile, as shown and described.

DESCRIPTION

FIG. 1 is a perspective view of a wheel for automobile;

FIG. 2 is a front elevation view thereof;

FIG. 3 is a right side elevation view thereof;

FIG. 4 is a left side elevation view thereof;

FIG. 5 is a top plan view thereof;

FIG. 6 is a bottom plan view thereof; and,

FIG. 7 is a partial enlarged view in the perspective thereof.

The broken lines shown in the drawings illustrate portions of the wheel for automobile that form no part of the claimed design.

1 Claim, 7 Drawing Sheets

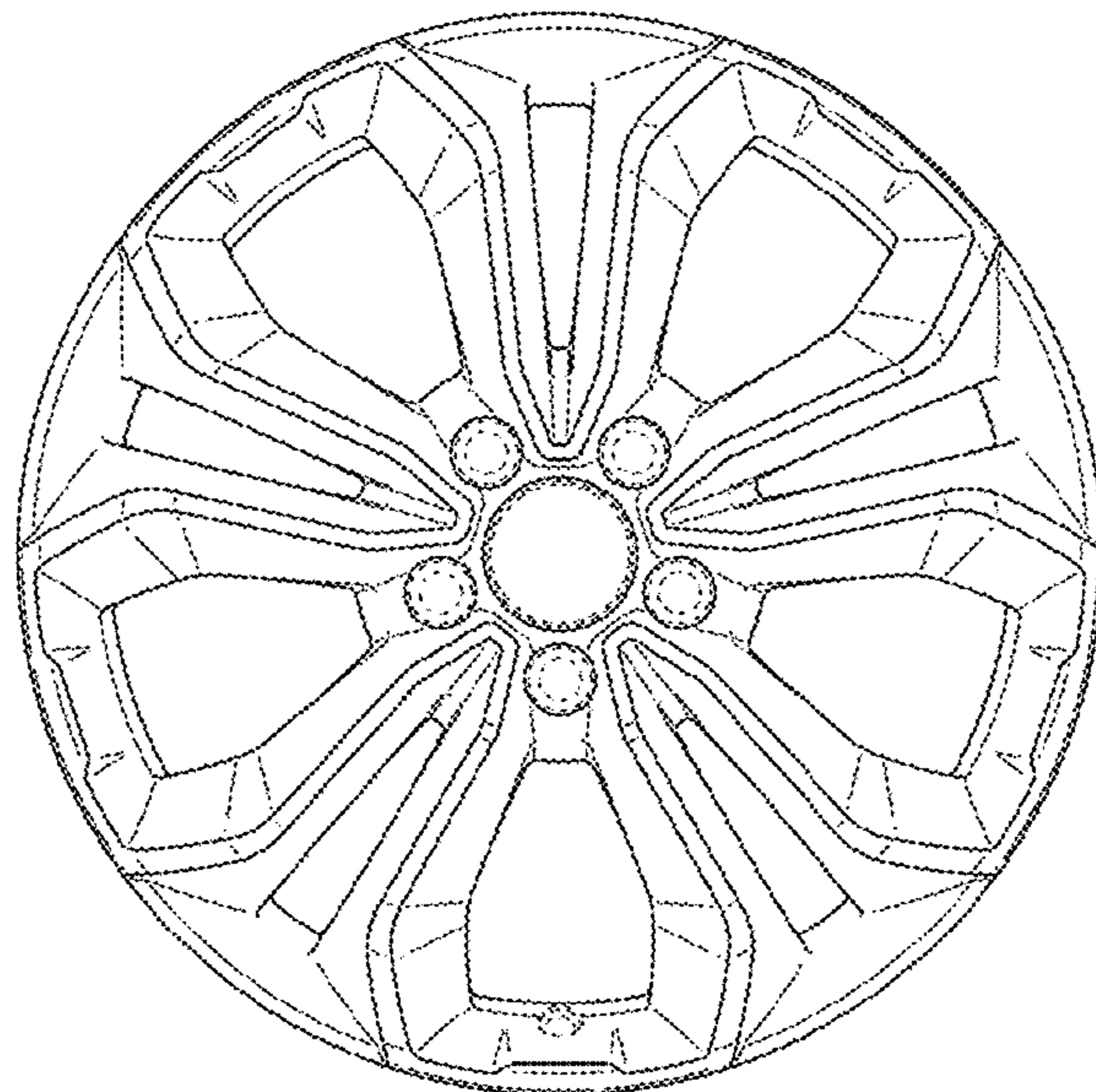
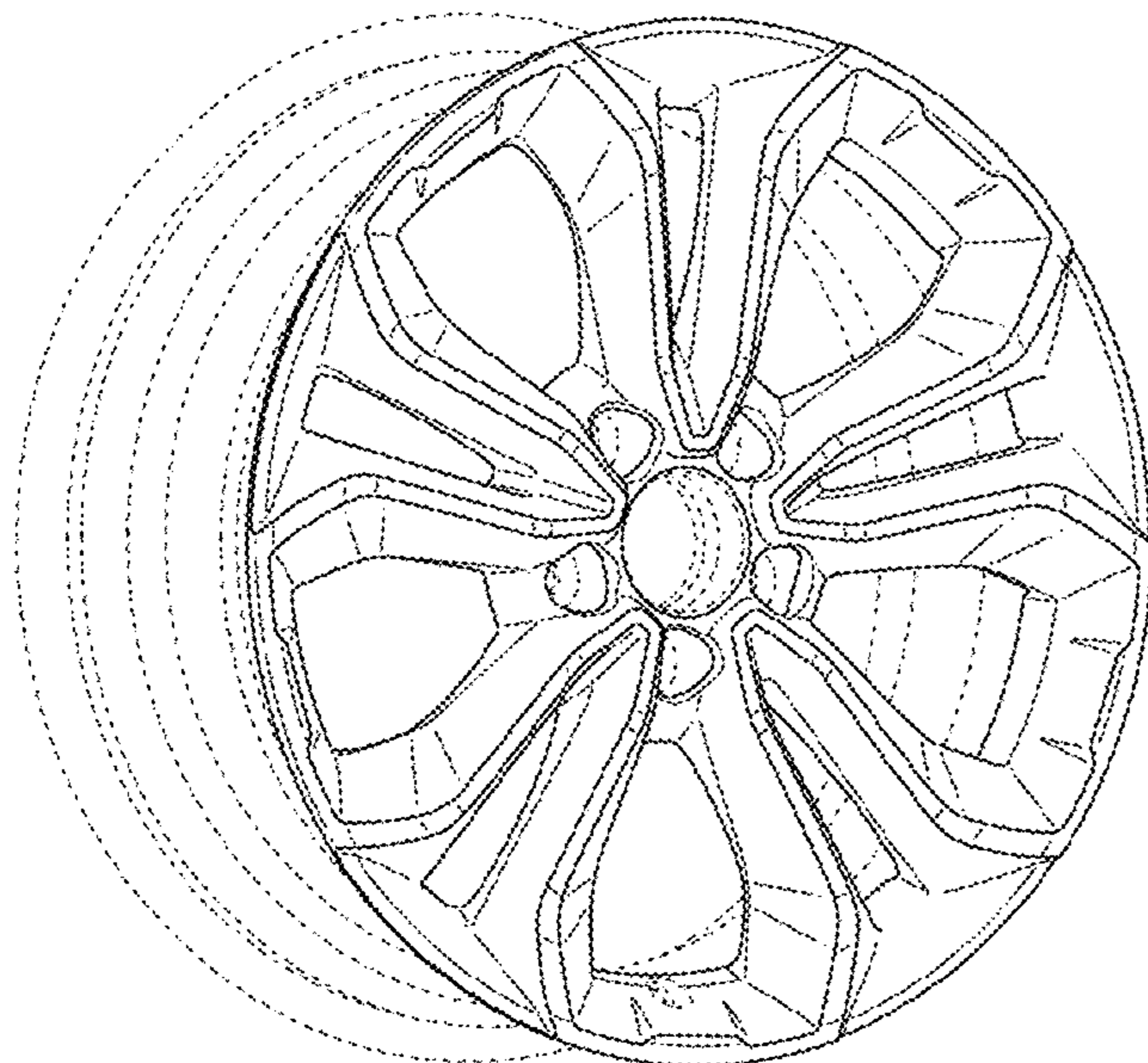


FIG. 1

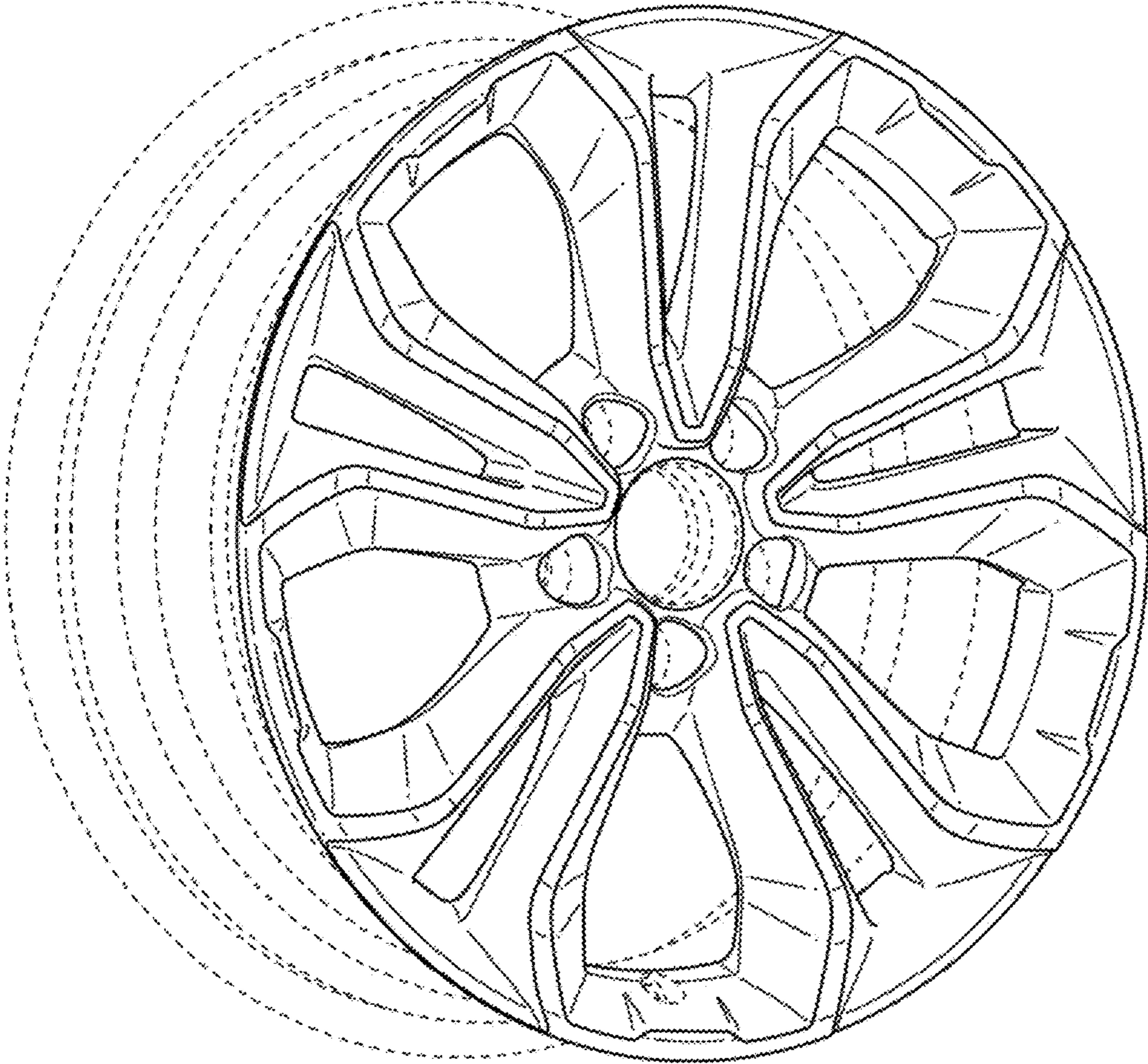


FIG. 2

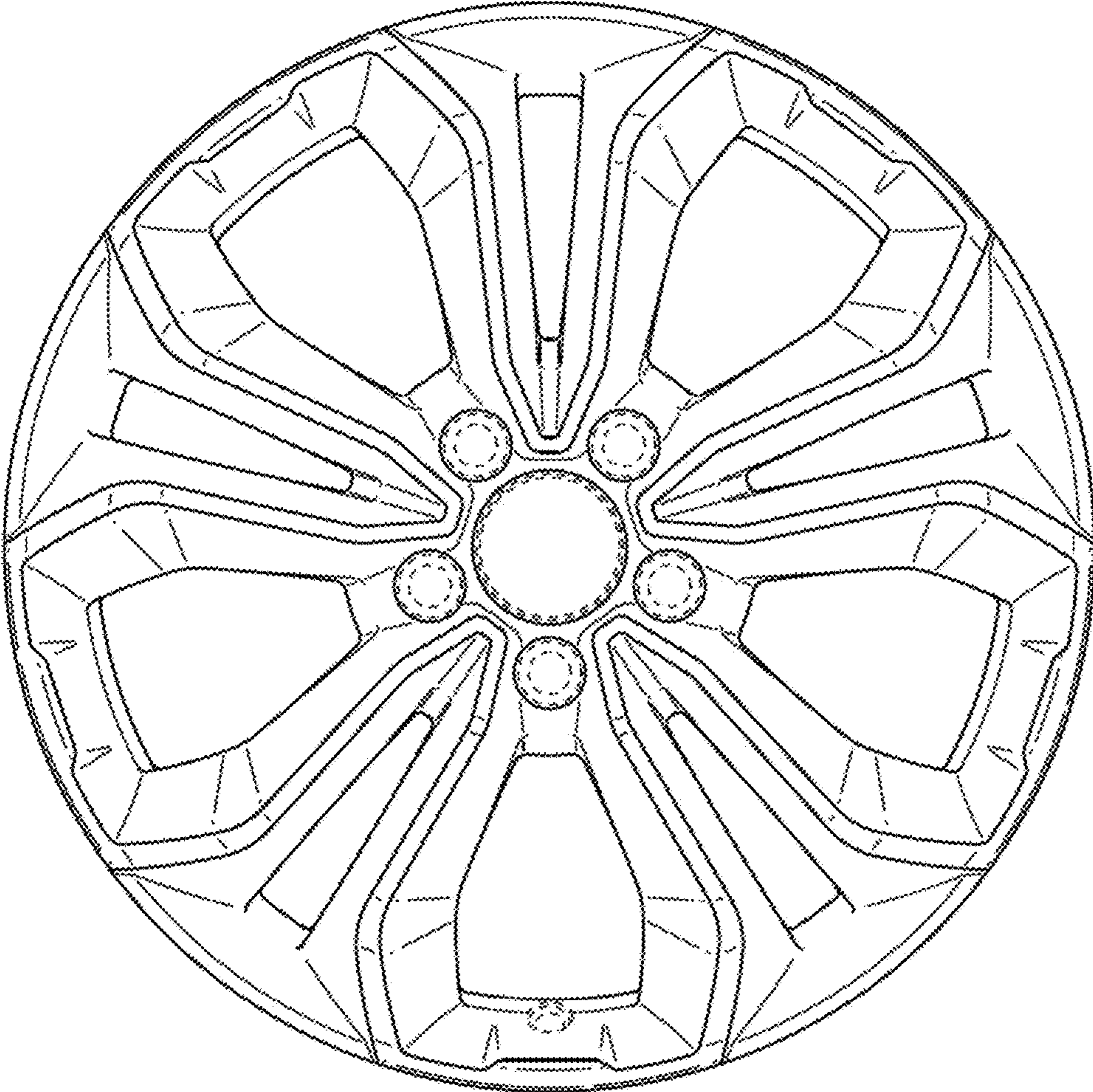


FIG. 3

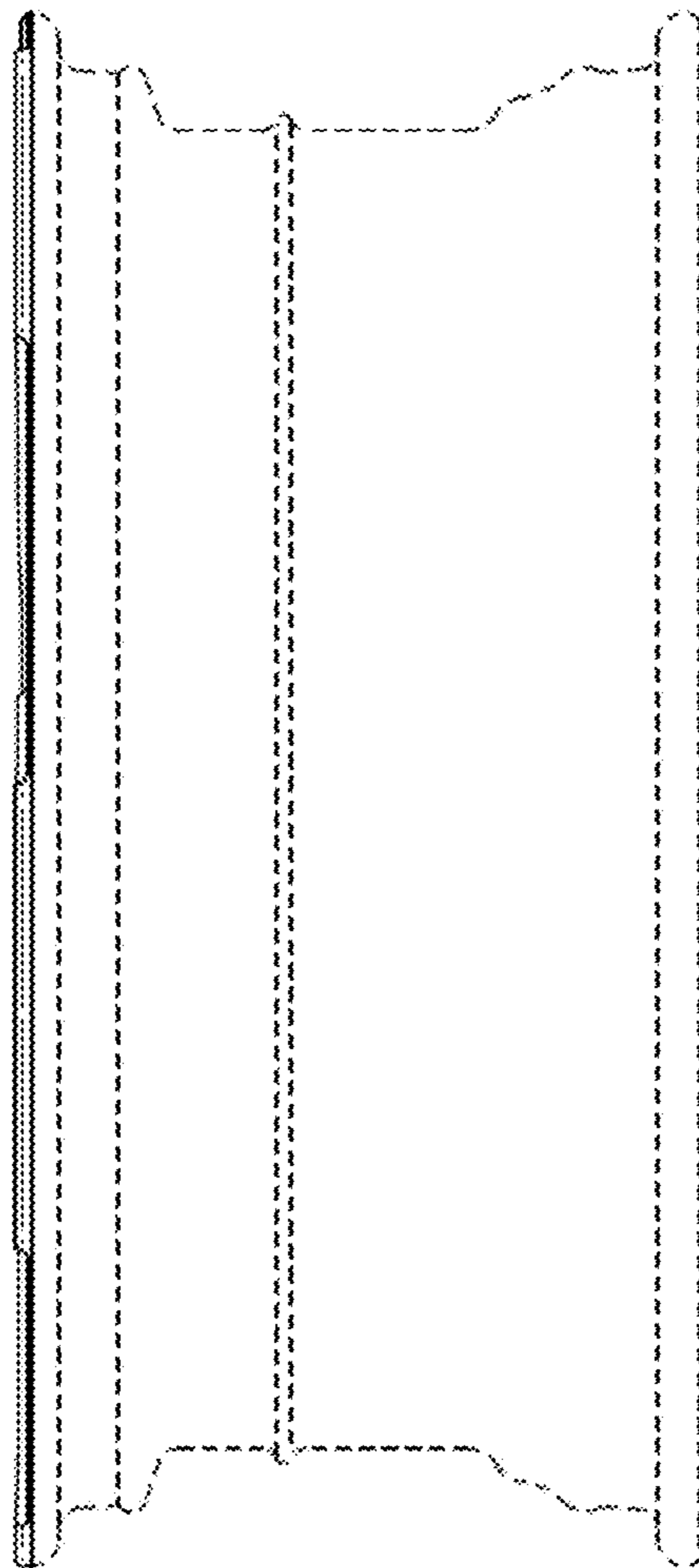


FIG. 4

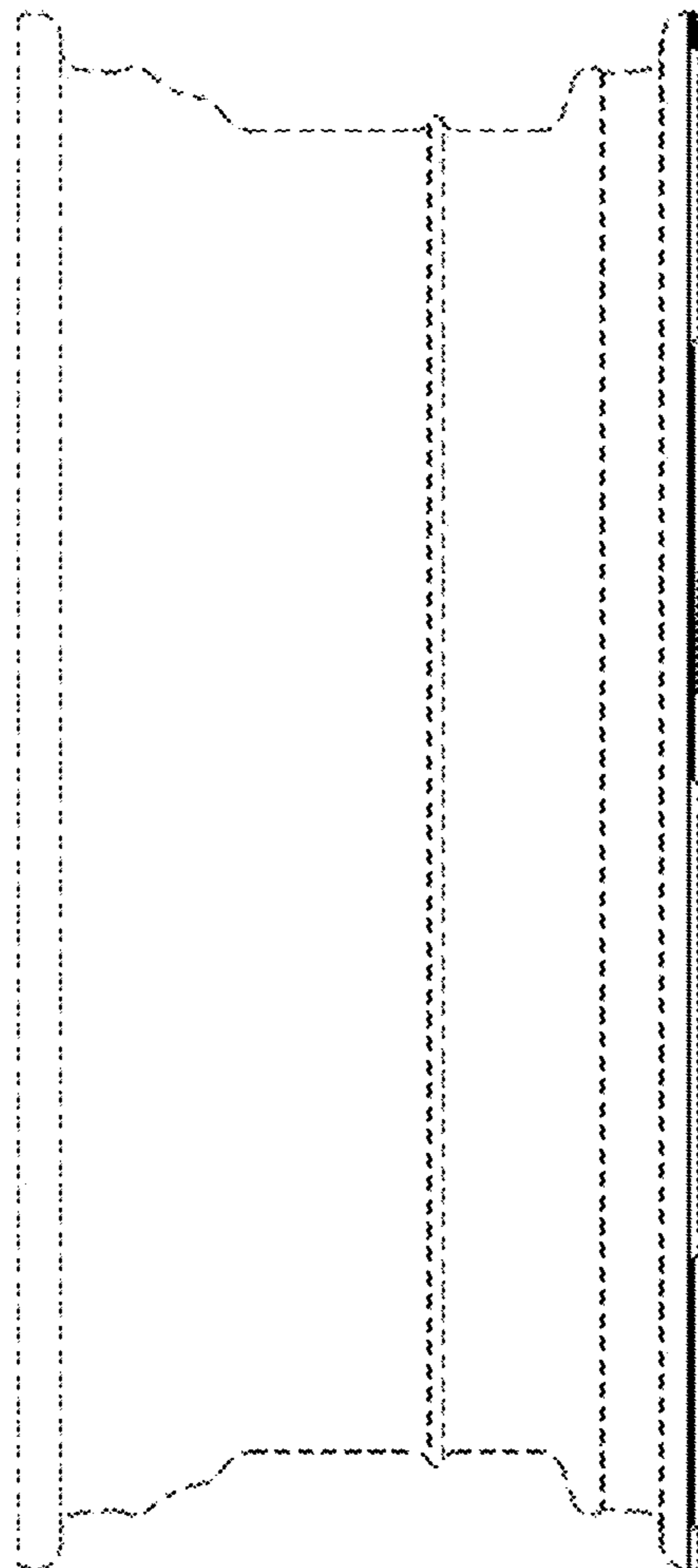


FIG. 5

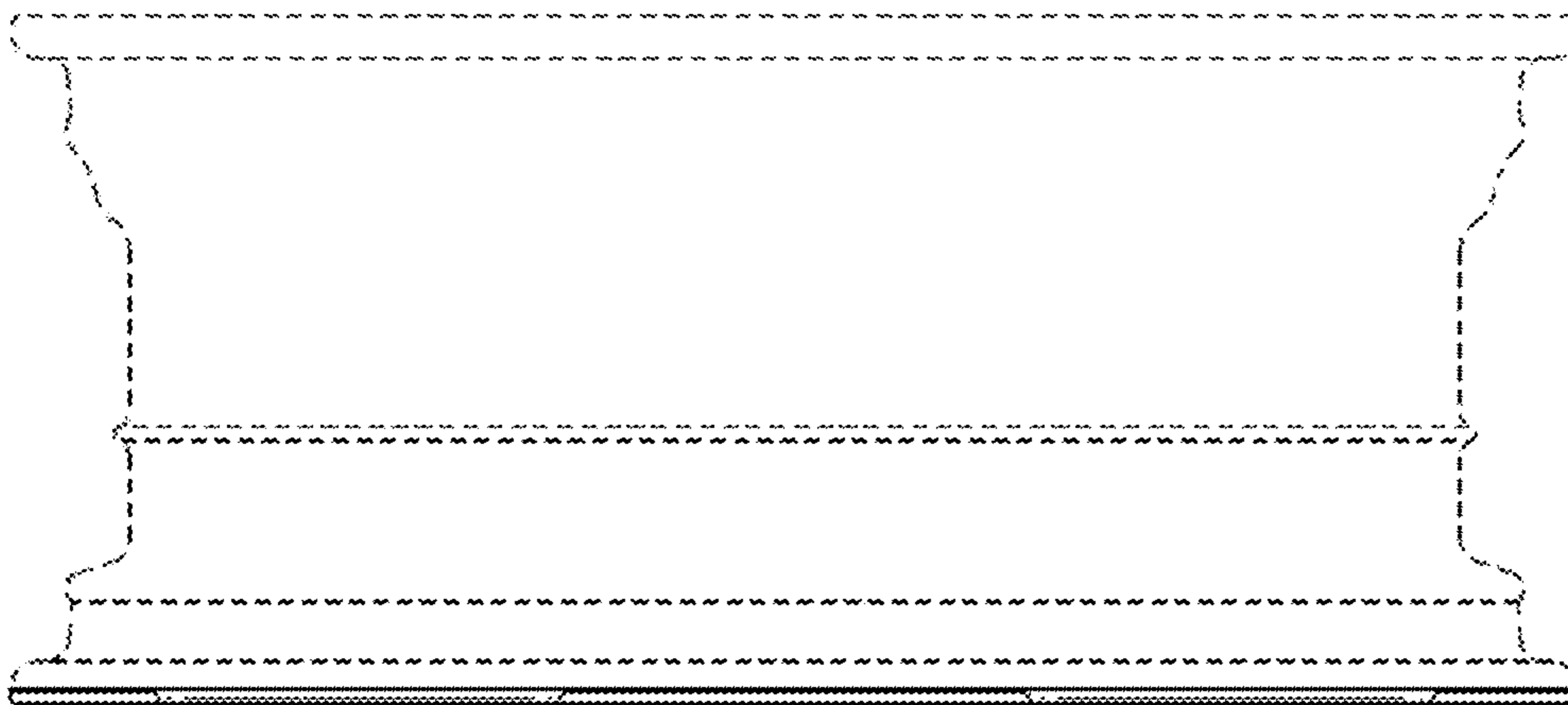


FIG. 6

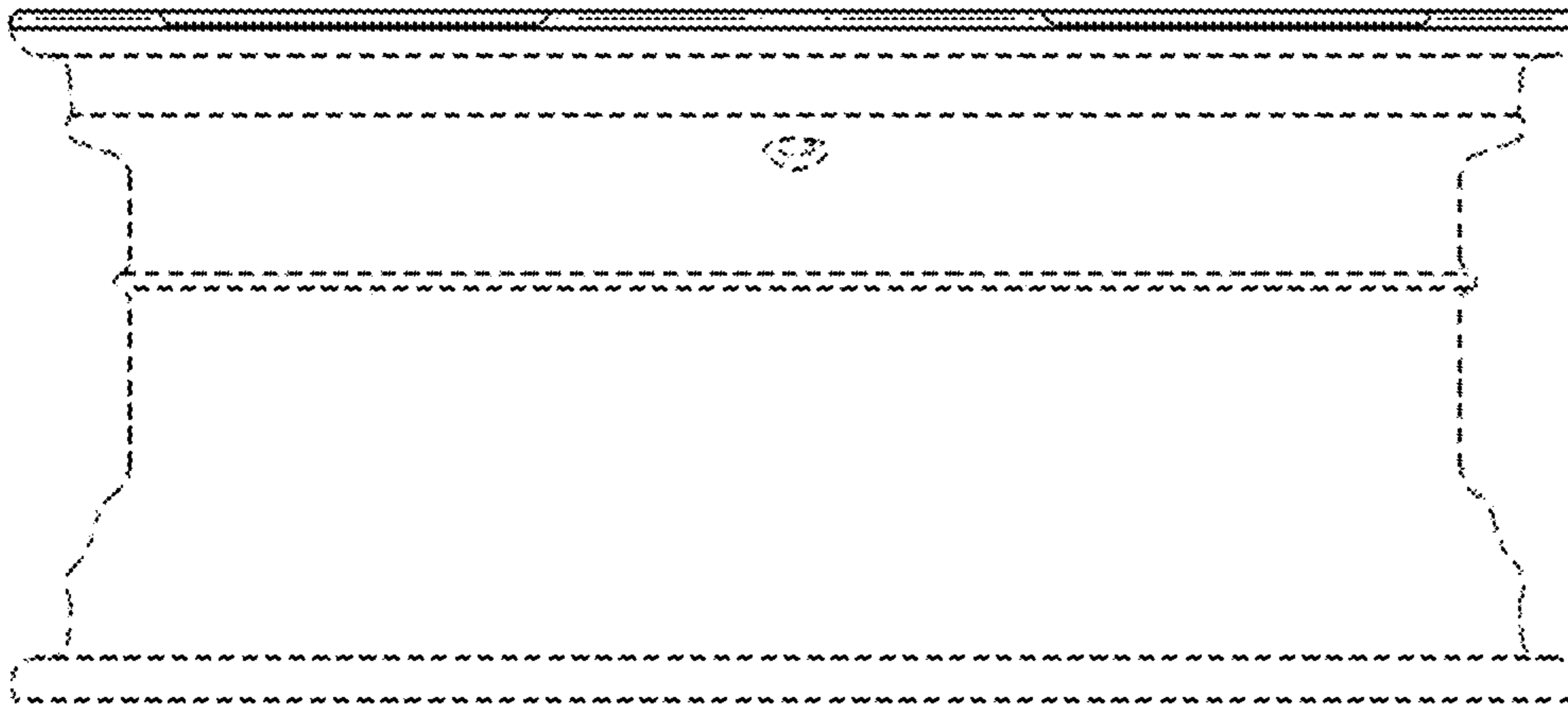


FIG. 7

