



US00D892702S

(12) **United States Design Patent**
Sugiyama

(10) **Patent No.:** **US D892,702 S**

(45) **Date of Patent:** **** Aug. 11, 2020**

(54) **WHEEL FOR AN AUTOMOBILE**

(71) Applicant: **HONDA MOTOR CO., LTD.**, Tokyo (JP)

(72) Inventor: **Tabito Sugiyama**, Wako (JP)

(73) Assignee: **HONDA MOTOR CO., LTD.**, Tokyo (JP)

(**) Term: **15 Years**

(21) Appl. No.: **29/690,994**

(22) Filed: **May 13, 2019**

(30) **Foreign Application Priority Data**

Nov. 15, 2018 (JP) 2008-024934

(51) **LOC (12) Cl.** **12-16**

(52) **U.S. Cl.**
USPC **D12/209**

(58) **Field of Classification Search**

USPC D12/204–213; D21/563

CPC B60B 7/00; B60B 7/02; B60B 7/04; B60B

7/01; B60B 7/06; B60B 3/02; B60B 3/04;

B60B 3/06; B60B 3/10; B60B 1/00;

B60B 1/08; B60B 1/10; B60B 1/12

See application file for complete search history.

(56) **References Cited**

U.S. PATENT DOCUMENTS

D373,562 S * 9/1996 Cole D12/211
D504,383 S * 4/2005 Pfeiffer D12/211

D513,219 S * 12/2005 Sinkwitz D12/209
D513,489 S * 1/2006 Momokawa D12/211
D520,933 S * 5/2006 Pfeiffer D12/211
D526,263 S * 8/2006 Brown D12/209
D528,962 S * 9/2006 Blasi D12/211
D539,722 S * 4/2007 Pfeiffer D12/211
D550,598 S * 9/2007 Schaefers D12/209
D696,617 S * 12/2013 Mueller-Stolz D12/211
D720,275 S * 12/2014 Szavits D12/211
D723,995 S * 3/2015 Zhao D12/211
D751,487 S * 3/2016 Harriton D12/211
D754,583 S * 4/2016 Valencia Pollex D12/211
D768,554 S * 10/2016 Rueckheim D12/211
D775,045 S * 12/2016 Peat D12/209
D820,185 S * 6/2018 Mielke D12/211

* cited by examiner

Primary Examiner — Stacia A Cadmus

(74) *Attorney, Agent, or Firm* — Westerman, Hattori, Daniels & Adrian, LLP

(57) **CLAIM**

The ornamental design for, a wheel for an automobile, as shown and described.

DESCRIPTION

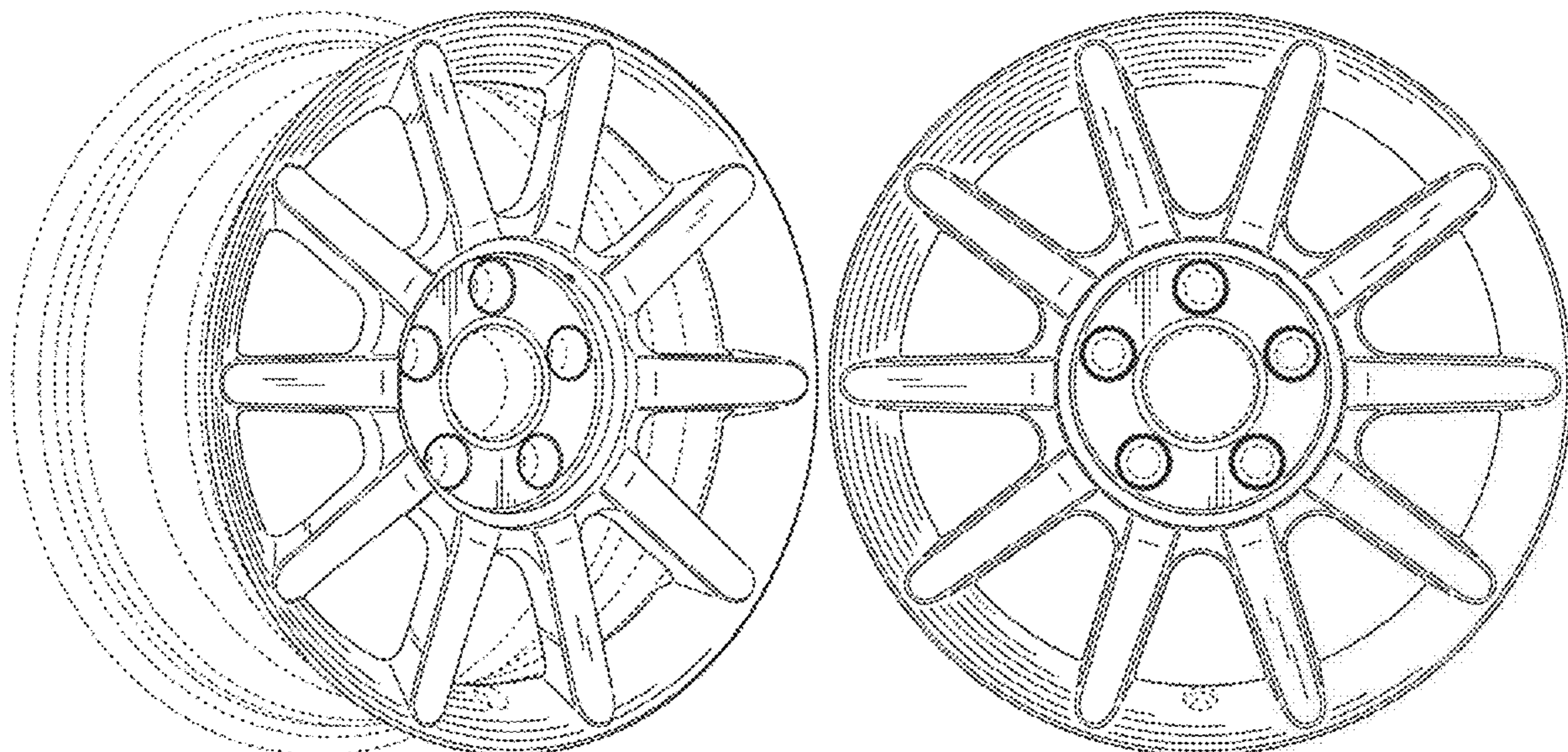
FIG. 1 is a front side perspective view of a wheel for an automobile, showing my new design;

FIG. 2 is an enlarged partial front side perspective view thereof; and,

FIG. 3 is a front view thereof.

The broken lines shown in the drawings illustrate portions of the wheel for an automobile that are environmental structures and form no part of the claimed design.

1 Claim, 3 Drawing Sheets



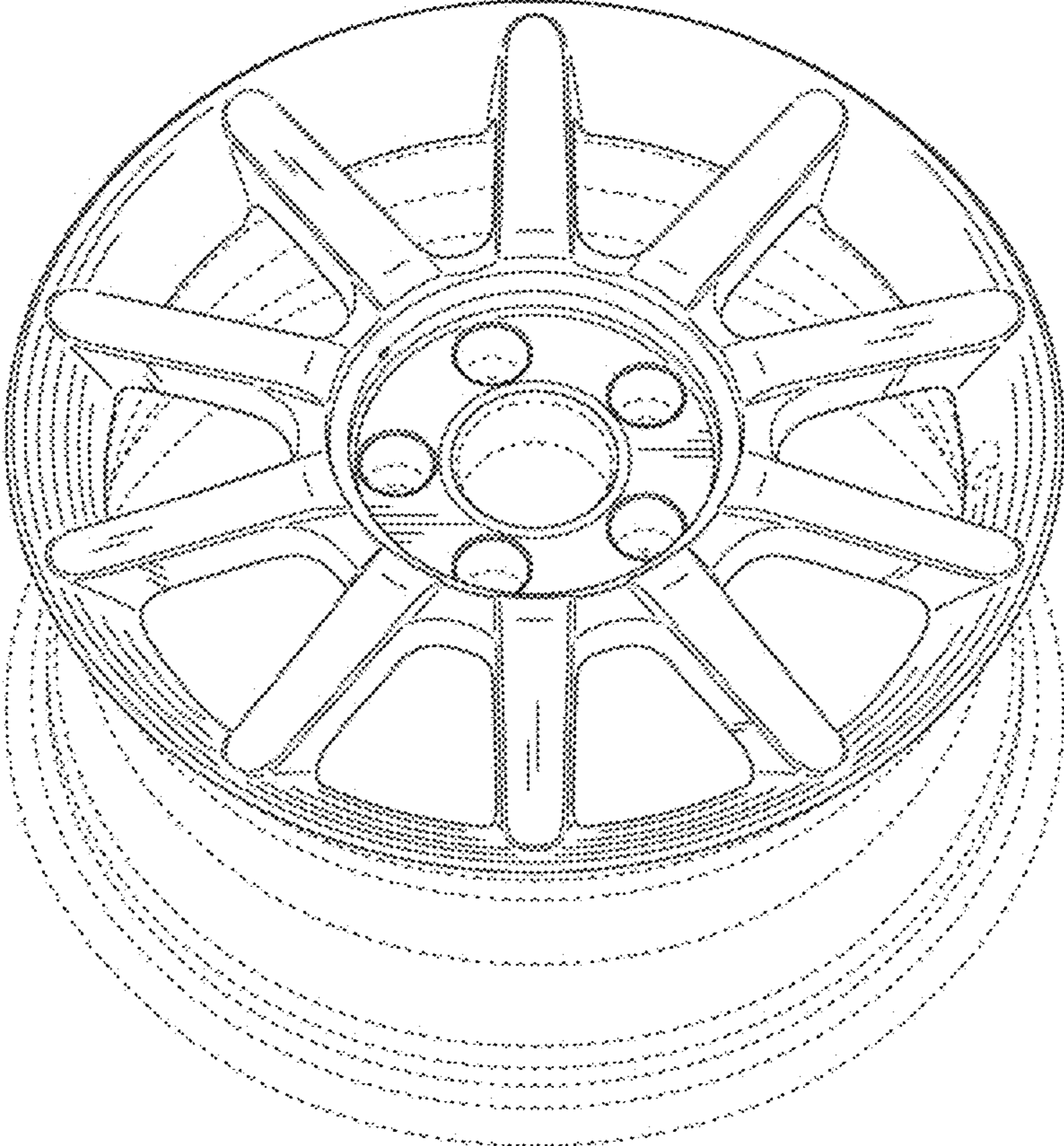


FIG. 1

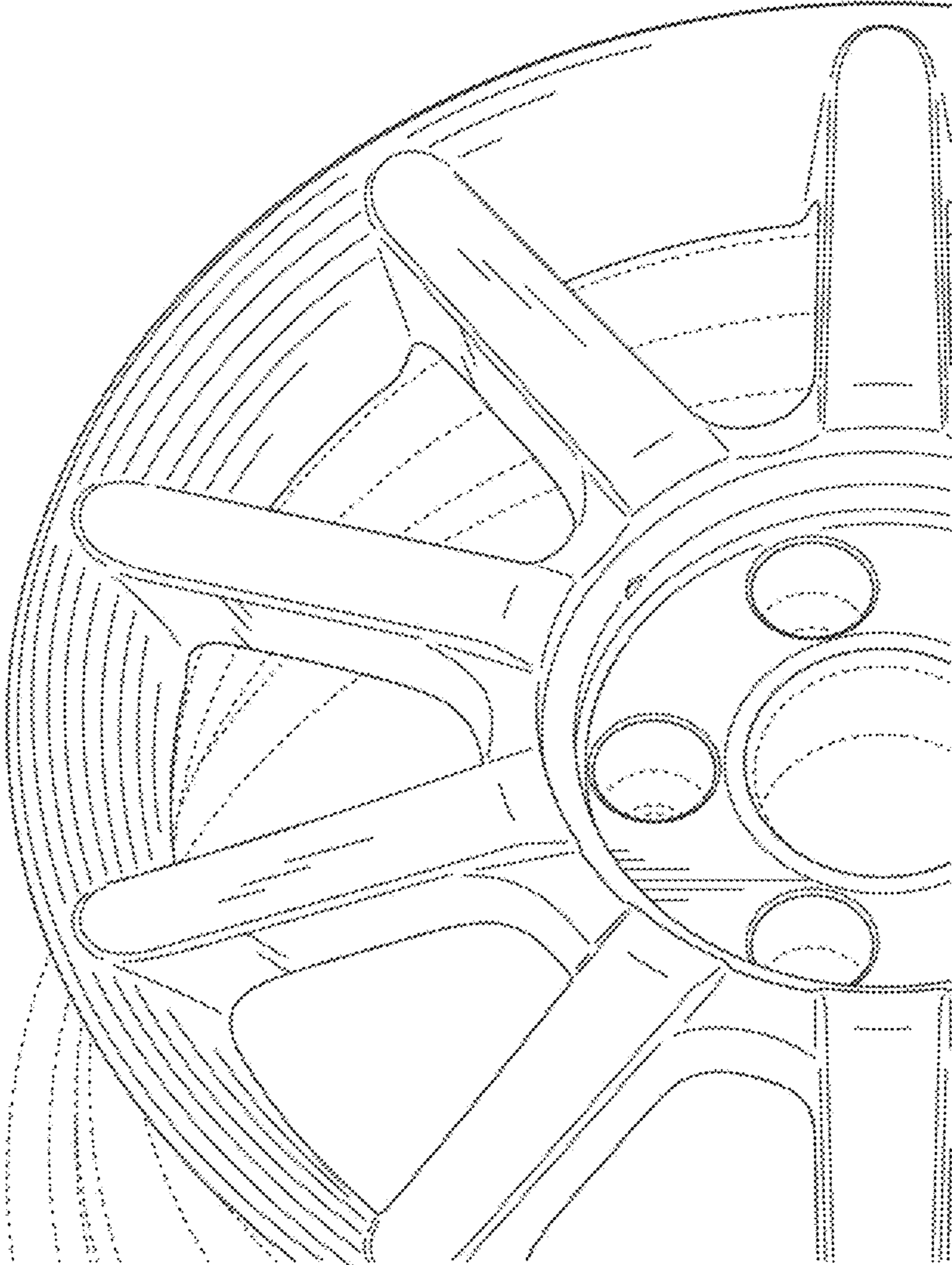


FIG. 2

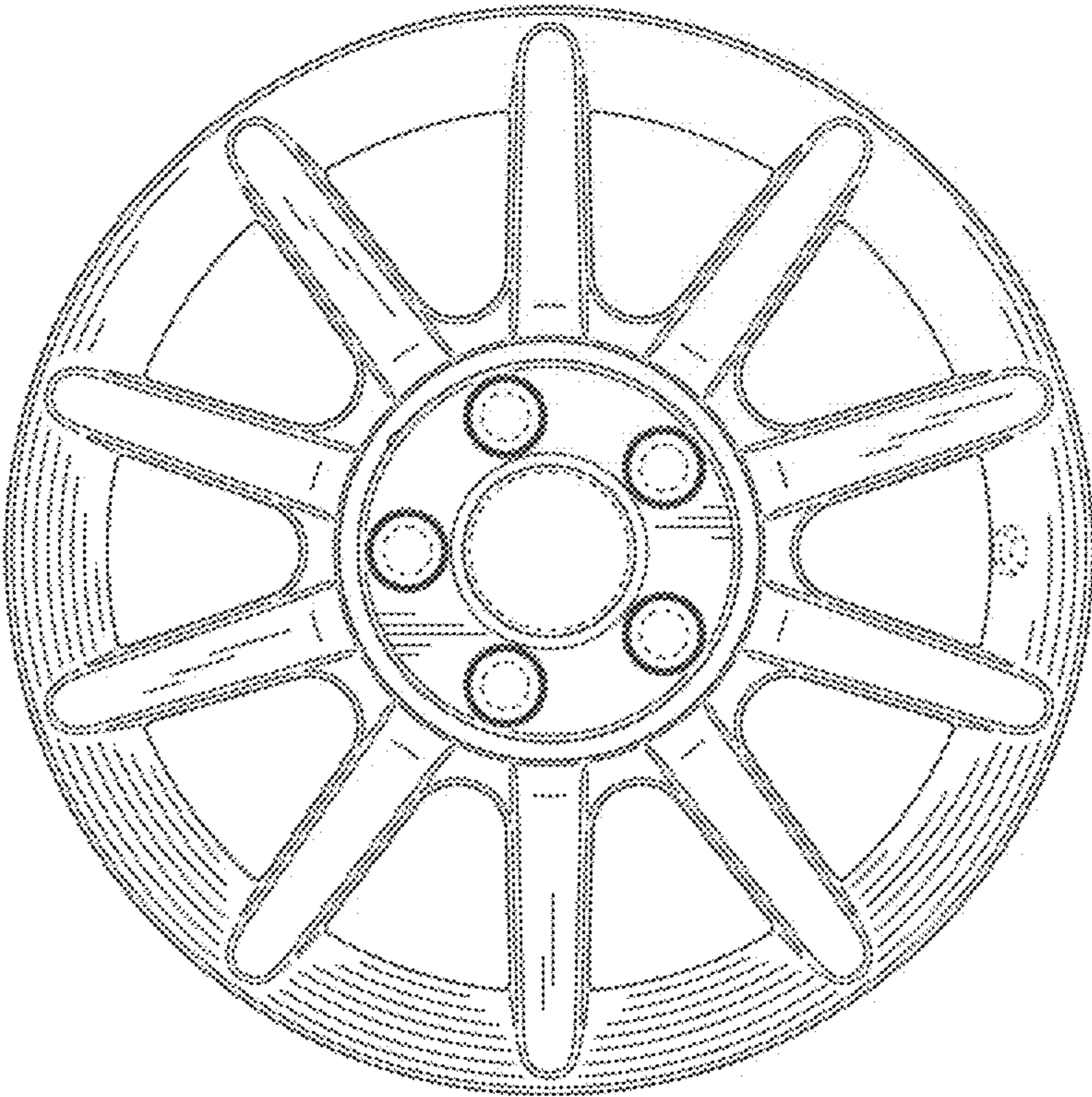


FIG. 3