

US00D892698S

(12) **United States Design Patent** (10) **Patent No.:** **US D892,698 S**
Hunt et al. (45) **Date of Patent:** **** Aug. 11, 2020**

(54) **WHEEL** D318,219 S 7/1991 Guile
D318,791 S 8/1991 Guile
(71) Applicant: **DEKA Products Limited Partnership,** 5,213,176 A 5/1993 Oroku et al.
Manchester, NH (US) (Continued)

(72) Inventors: **William Daniel Hunt,** Chicago, IL FOREIGN PATENT DOCUMENTS
(US); **Jason Michael Overson,**
Manchester, NH (US) CN 206579402 1/2017
KR 201300622 11/2013

(73) Assignee: **DEKA Products Limited Partnership,** OTHER PUBLICATIONS
Manchester, NH (US)

(**) Term: **15 Years** Vex Robotics Omni-wheel search—Vex Robotics (<https://www.vexrobotics.com>) <https://www.vexrobotics.com/catalogsearch/result/?q=holonomic> © 2002-2017. Vex Robotics, Inc. is a subsidiary of Innovation First International, Inc.
(21) Appl. No.: **29/714,648**
(22) Filed: **Nov. 25, 2019** (Continued)

Related U.S. Application Data

(60) Continuation of application No. 29/661,815, filed on Aug. 30, 2018, now Pat. No. Des. 867,953, which is a division of application No. 29/592,452, filed on Jan. 30, 2017, now Pat. No. Des. 829,627.

(51) **LOC (12) Cl.** **12-16**
(52) **U.S. Cl.**
USPC **D12/204**

(58) **Field of Classification Search**
USPC D12/204–213; D21/533, 561, 563
CPC B60B 7/00; B60B 7/02; B60B 7/04; B60B 7/06; B60B 3/02; B60B 3/04; B60B 3/06; B60B 3/10; B60B 1/00; B60B 1/08; B60B 1/10; B60B 1/12
See application file for complete search history.

(56) **References Cited**

U.S. PATENT DOCUMENTS

3,789,947 A * 2/1974 Blumrich B60B 19/003
180/6.48
3,882,885 A 5/1975 McCain
4,335,899 A 6/1982 Hiscock
D309,254 S 7/1990 Guile

Primary Examiner — Sheryl Lane
Assistant Examiner — Calvin E Vansant
(74) *Attorney, Agent, or Firm* — Kathleen Chapman

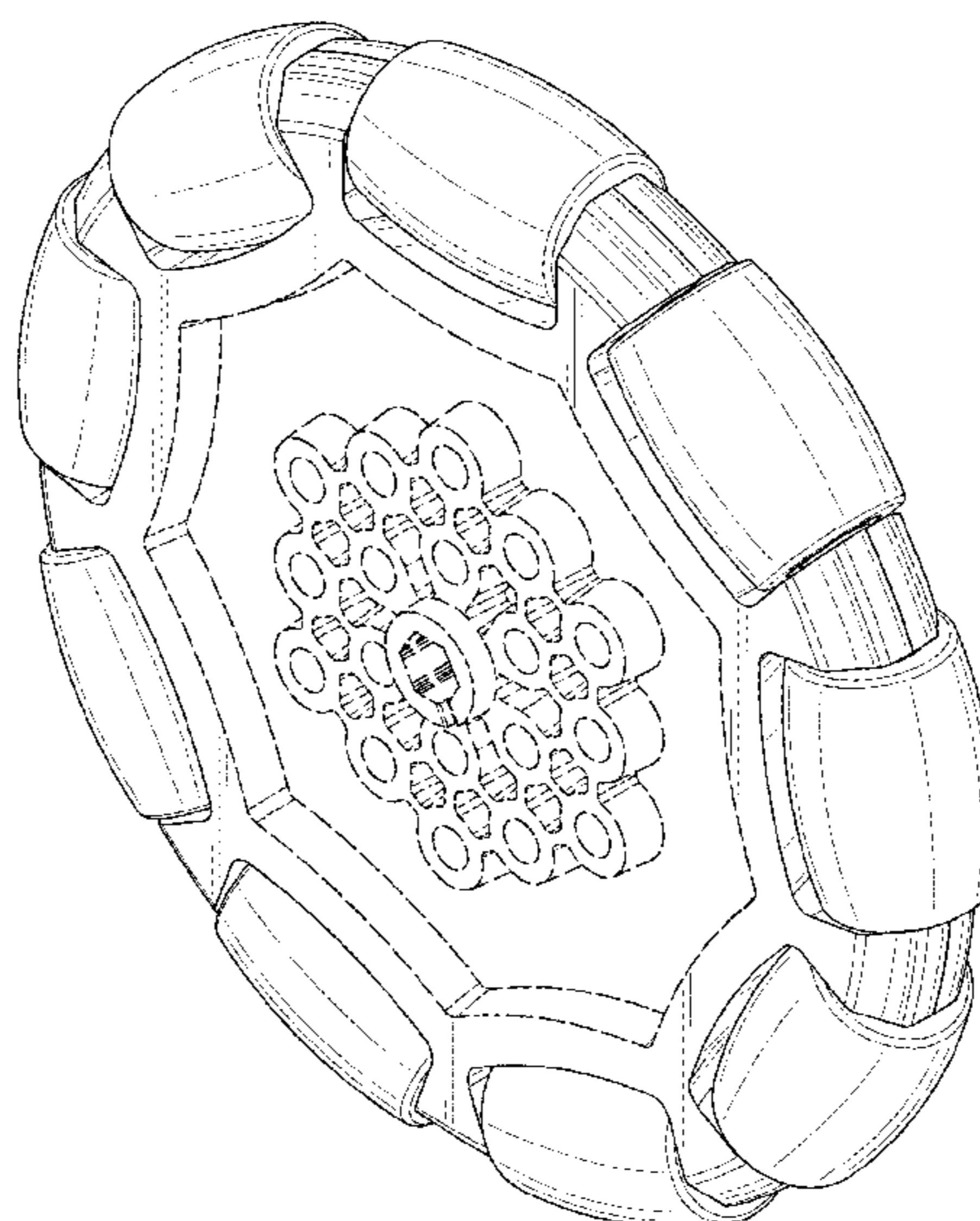
(57) **CLAIM**

The ornamental design for a wheel, as shown and described.

DESCRIPTION

FIG. 1 is a front, top, right side perspective view of a wheel, showing our new design;
FIG. 2 is a front, top, left side perspective view thereof;
FIG. 3 is a front side elevational view thereof;
FIG. 4 is a rear side elevational view thereof;
FIG. 5 is a left side elevational view thereof;
FIG. 6 is a right side elevational view thereof;
FIG. 7 is a top plan view thereof; and,
FIG. 8 is a bottom plan view thereof.
The ornamental design which is claimed is shown in solid lines in the drawings. Any broken lines in the drawings are for illustrative purposes only and form no part of the claimed design.

1 Claim, 6 Drawing Sheets



(56)

References Cited

U.S. PATENT DOCUMENTS

6,547,340	B2	4/2003	Harris	
6,857,707	B2	2/2005	Guile	
7,980,335	B2	7/2011	Potter	
D818,015	S	5/2018	Karol	
D824,971	S	8/2018	Karol	
D825,631	S	8/2018	Karol	
D829,627	S *	10/2018	Hunt A45C 5/14 D12/204
D867,953	S *	11/2019	Hunt B60B 19/003 D12/204
10,479,136	B2 *	11/2019	McKinnon B60B 19/12
2007/0096541	A1	5/2007	Guile	
2008/0202837	A1	8/2008	Fernand et al.	
2010/0140888	A1	6/2010	McKinnon	
2012/0256471	A1	10/2012	Scogna	
2013/0306925	A1	11/2013	Cozza	
2015/0115694	A1	4/2015	Bando et al.	
2015/0130260	A1	5/2015	Bando	
2017/0210164	A1	7/2017	Mjelde	
2017/0210437	A1	7/2017	Black	
2017/0297366	A1	10/2017	Parrott	
2019/0320770	A1 *	10/2019	McKinnon A45C 5/14

OTHER PUBLICATIONS

AndyMark Omni-Wheel Search—AndyMark, Inc. (<http://www.andymark.com>) <http://www.andymark.com/Search-s/545.htm?Search=omniwheel&Submit=©> 2017 AndyMark, Inc.

Tetrix Pitsco Omni-wheel Search—Tetrix Pitsco Inc. (<http://www.tetrixrobotics.com>)http://www.tetrixrobotics.com/Search/omni_wheel?st=0 © 2017 Pitsco, Inc.

Modern Robotics Omni-wheel search—Modern Robotics Inc. (<http://www.modernroboticsinc.com>) <http://www.modernroboticsinc.com/search?as=true&cid=0&q=omni&Sid=True&Isc=true> © 2017 Modern Robotics Inc.

AndyMark.com, 4" DuraOmni Wheel, Jan. 2017, online product page, retrieved Apr. 27, 2018 from <URL <http://www.andymark.com/product-p/am-3047.htm>> (Year: 2015).

Thingiverse.com, Lego Mecanum Wheel, Nov. 2015, online product page, retrieved Apr. 27, 2018 from <URL <https://www.thingiverse.com/thing:1119245>> (Year: 2015).

U.S. Appl. No. 15/600,703 (U22).

* cited by examiner

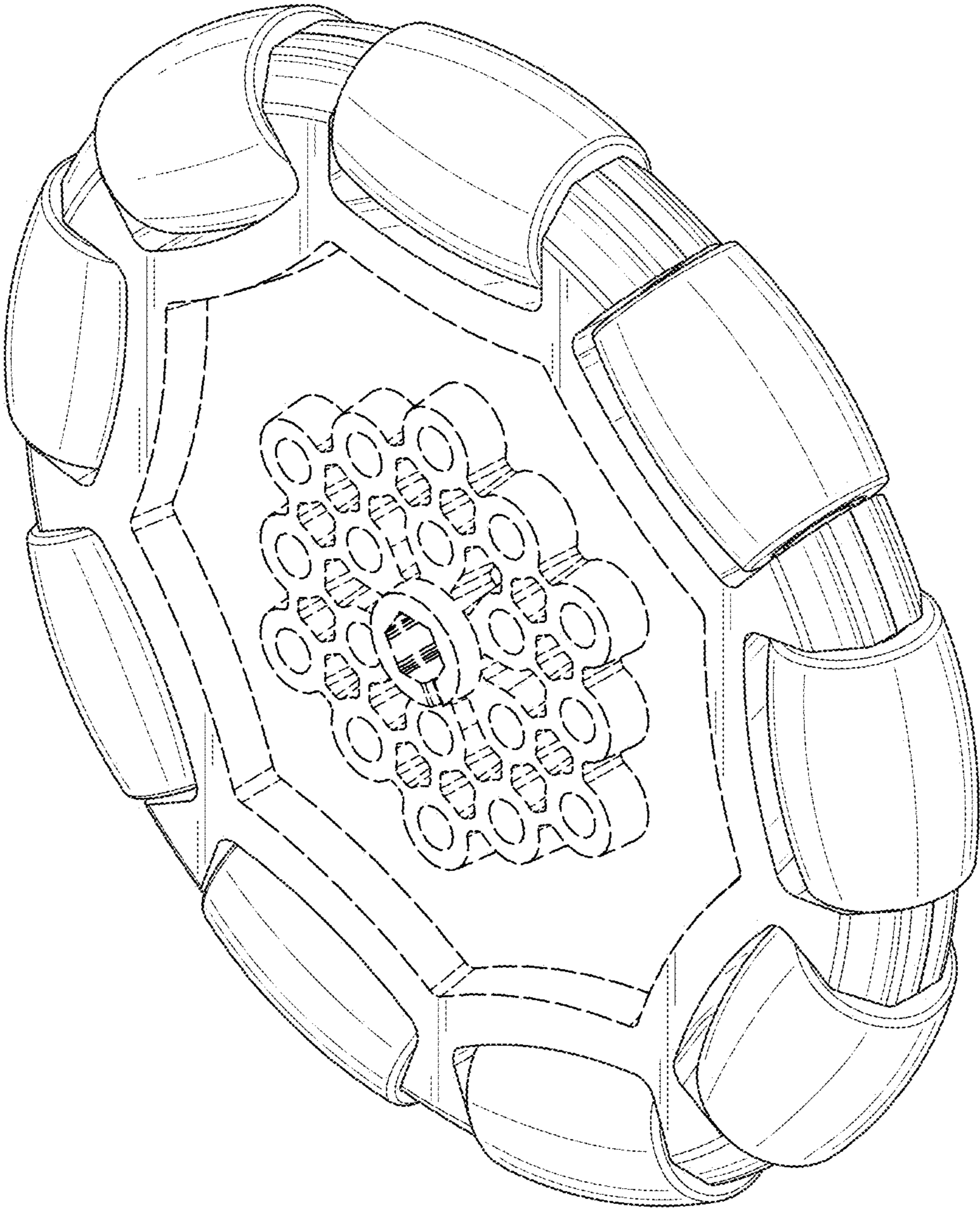


FIG. 1

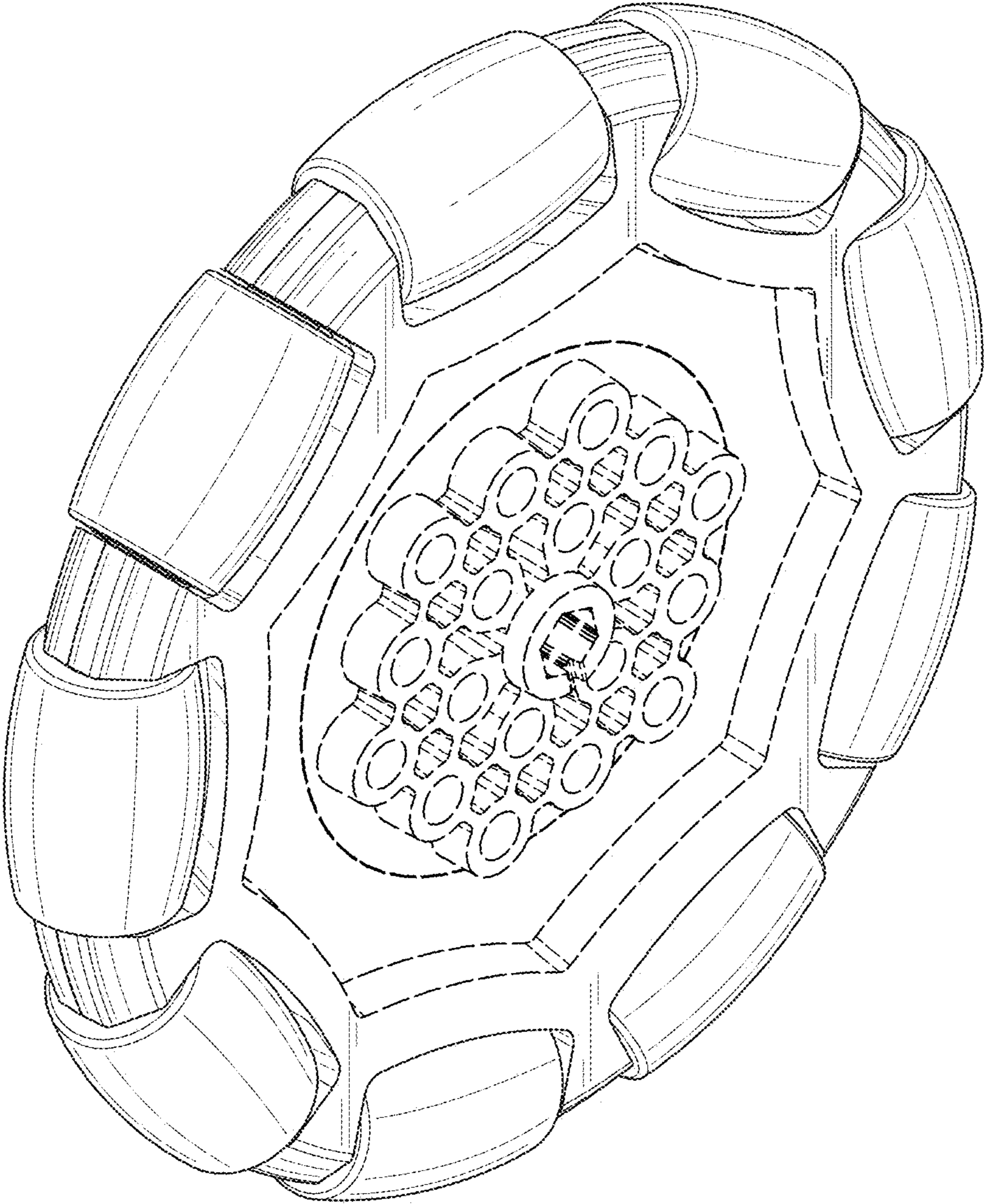


FIG. 2

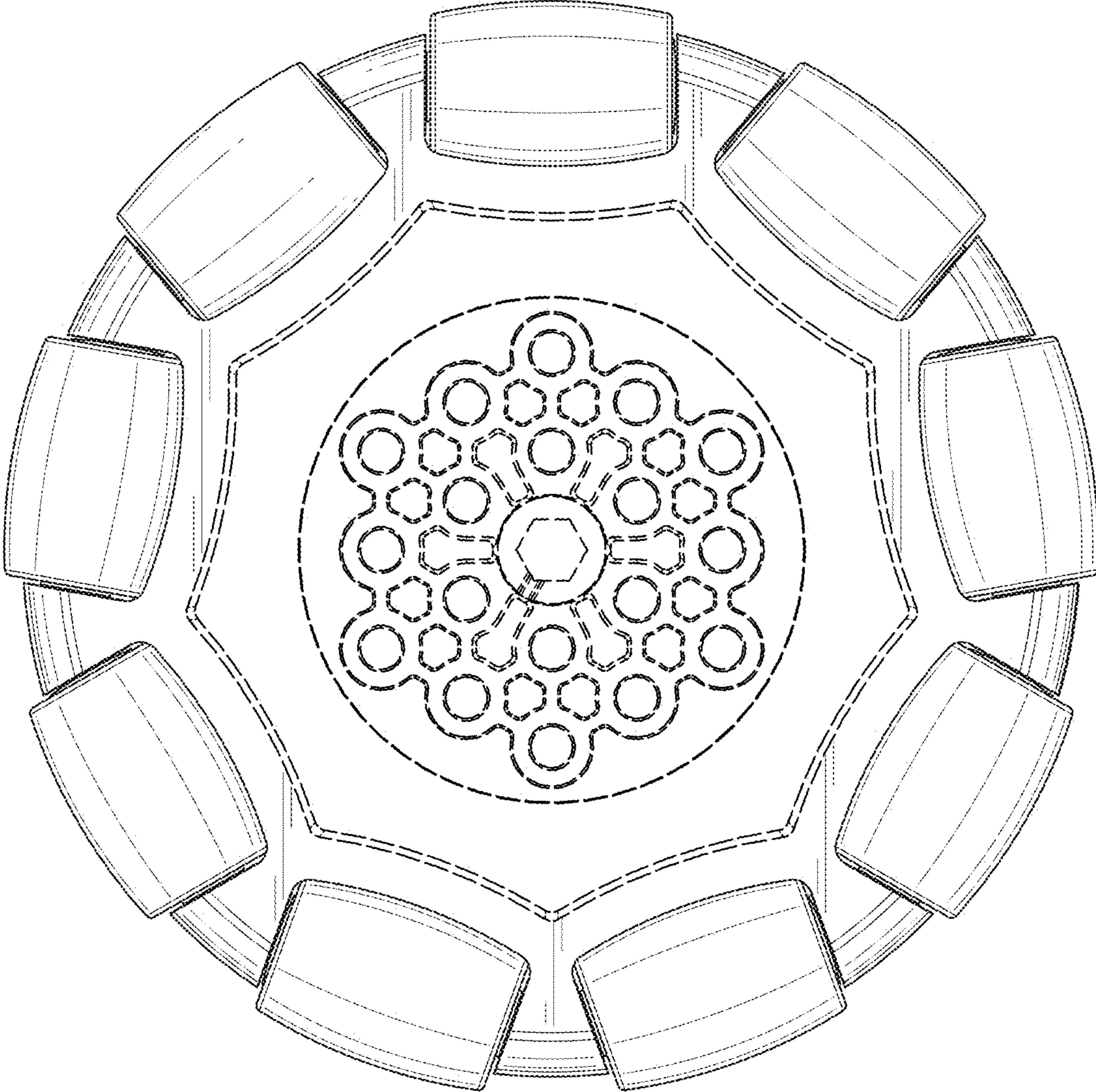


FIG. 3

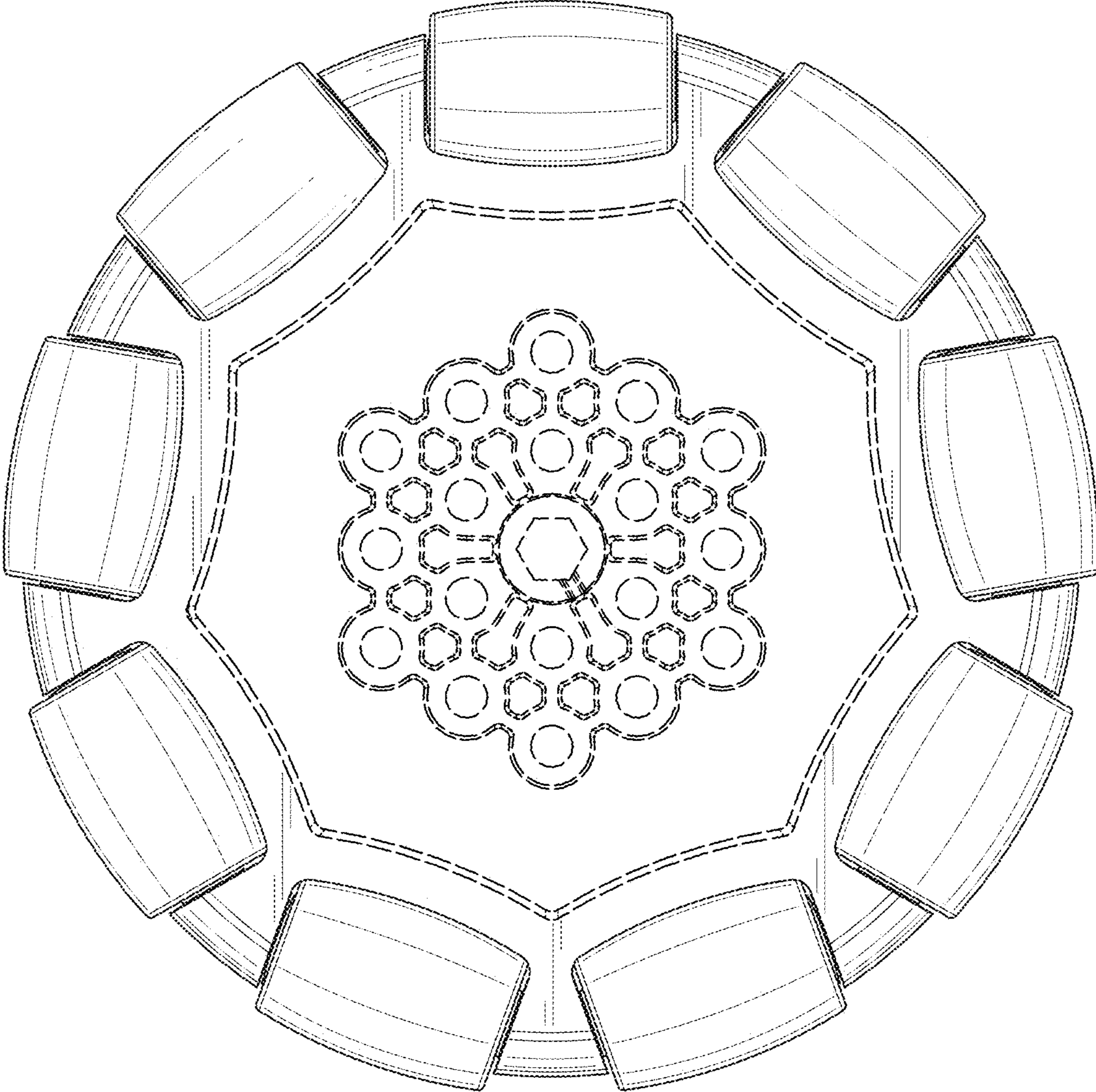


FIG. 4

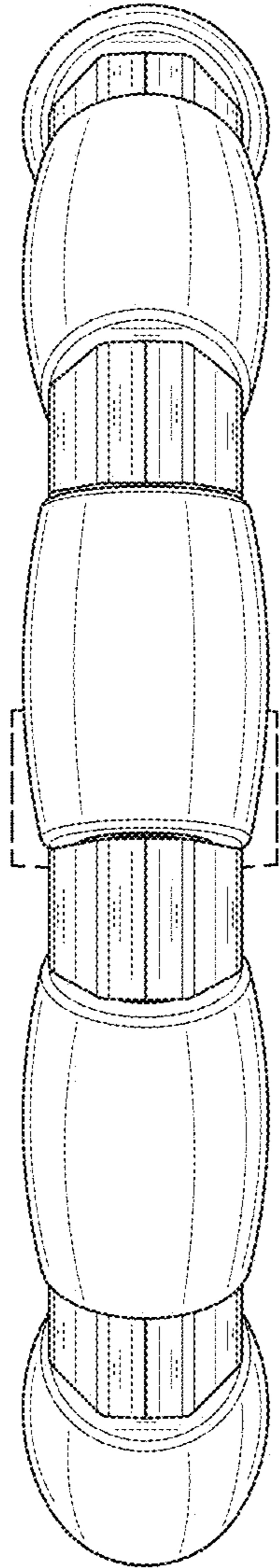


FIG. 5

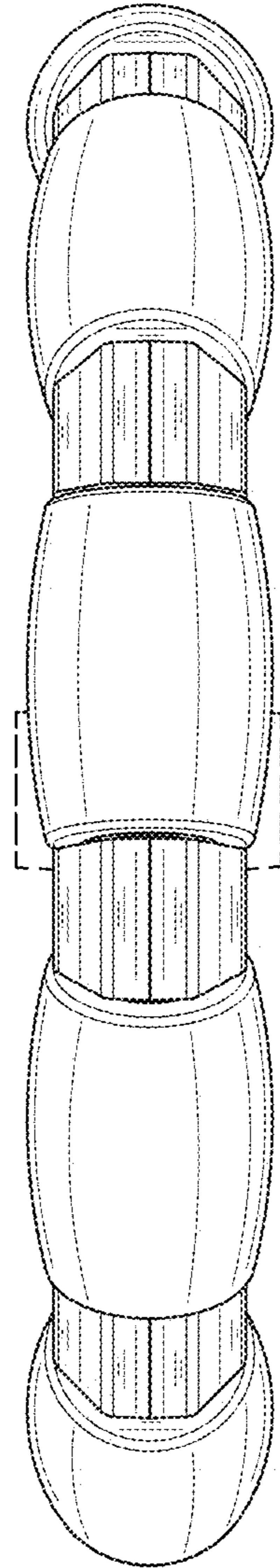


FIG. 6

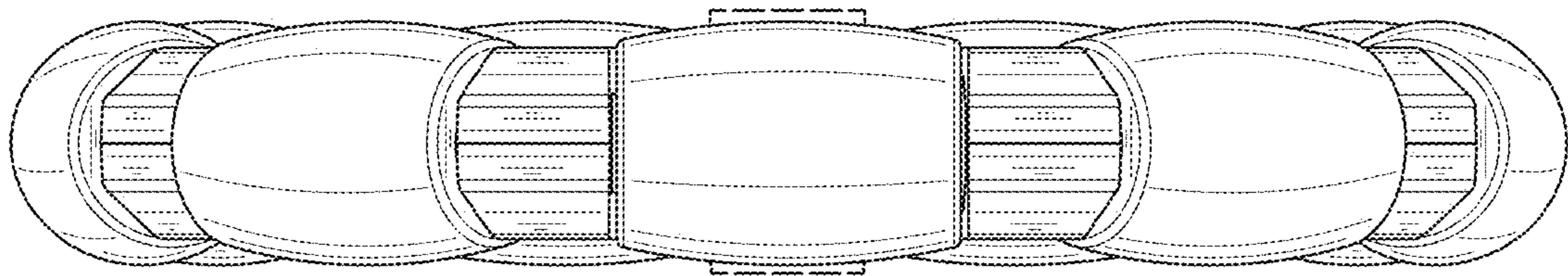


FIG. 7

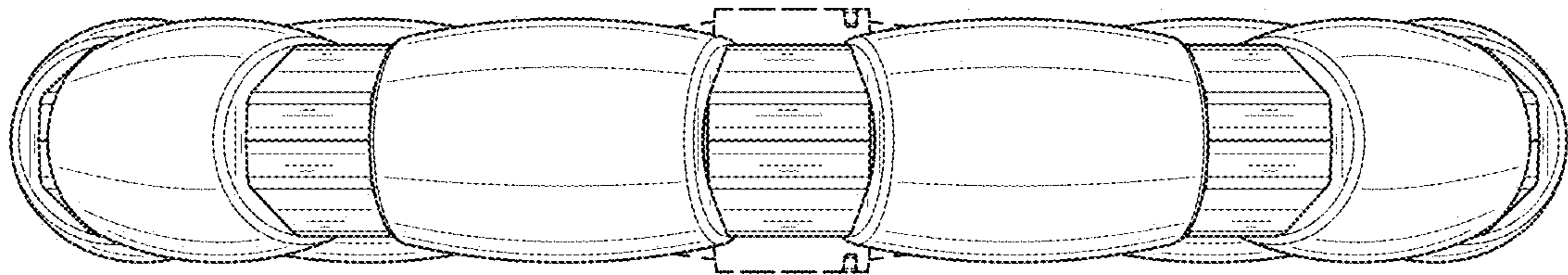


FIG. 8