



US00D892693S

(12) **United States Design Patent** (10) **Patent No.:** **US D892,693 S**  
**Jacob et al.** (45) **Date of Patent:** **\*\* Aug. 11, 2020**

(54) **DOOR PANEL**  
(71) Applicant: **Byton Limited**, Hong Kong (HK)  
(72) Inventors: **Benoit Jacob**, Munich (DE); **Yuheng Zhao**, Munich (DE); **Florian Kainz**, Munich (DE); **Felipe Roo-Clefas**, Munich (DE)  
(73) Assignee: **BYTON LIMITED**, Hong Kong (HK)  
(\*\*) Term: **15 Years**  
(21) Appl. No.: **29/675,745**  
(22) Filed: **Jan. 4, 2019**  
(51) **LOC (12) Cl.** ..... **12-16**  
(52) **U.S. Cl.**  
USPC ..... **D12/195**  
(58) **Field of Classification Search**  
USPC .... D12/195, 193, 44, 190, 196; D15/17, 28;  
D10/46, 98, 102-103  
CPC ..... B60J 5/04  
See application file for complete search history.

D853,922 S \* 7/2019 Sandys ..... D12/195  
D853,923 S \* 7/2019 Peat ..... D12/195  
D858,393 S \* 9/2019 Kakuta ..... D12/195  
D874,372 S \* 2/2020 Donfrancesco ..... D12/195

\* cited by examiner

*Primary Examiner* — Katrina A Betton  
(74) *Attorney, Agent, or Firm* — Womble Bond Dickinson (US) LLP

(57) **CLAIM**  
The ornamental design for a door panel, as shown and described.

**DESCRIPTION**

FIG. 1 is a front perspective view of a door panel for a vehicle according to an embodiment; the door panel includes controls to lower and raise windows on the vehicle. The door panel is shown without one or more hinges that connect the door panel to the vehicle, such as a car or a sports utility vehicle.

FIG. 2 is a front view of the door panel of the embodiment shown in FIG. 1.

FIG. 3 is a left side view of the door panel of the embodiment shown in FIG. 1.

FIG. 4 is a right side view of the door panel of the embodiment shown in FIG. 1.

FIG. 5 is a top view of the door panel of the embodiment shown in FIG. 1; and,

FIG. 6 is a bottom view of the door panel of the embodiment shown in FIG. 1.

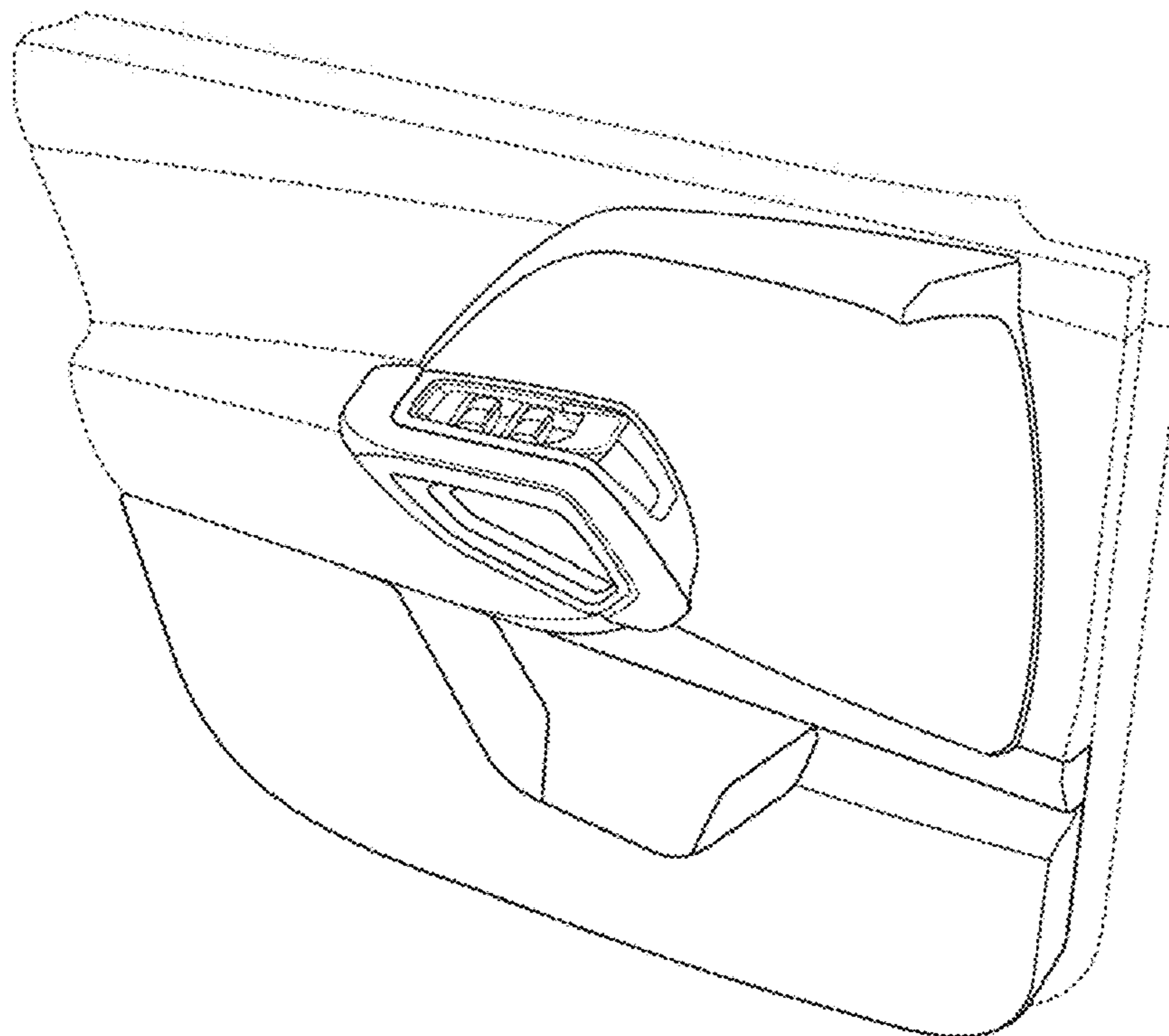
The broken (dashed) lines show portions of the door panel, but the broken lines form no part of the claimed design.

**1 Claim, 6 Drawing Sheets**

(56) **References Cited**

U.S. PATENT DOCUMENTS

D831,552 S \* 10/2018 Watkin ..... D12/195  
D835,555 S \* 12/2018 Ray ..... D12/195  
D835,556 S \* 12/2018 Ray ..... D12/195  
D839,160 S \* 1/2019 Kasano ..... D12/195  
D840,888 S \* 2/2019 Takagi ..... D12/195  
D844,517 S \* 4/2019 Brisbane ..... D12/195  
D852,102 S \* 6/2019 Webber ..... D12/195



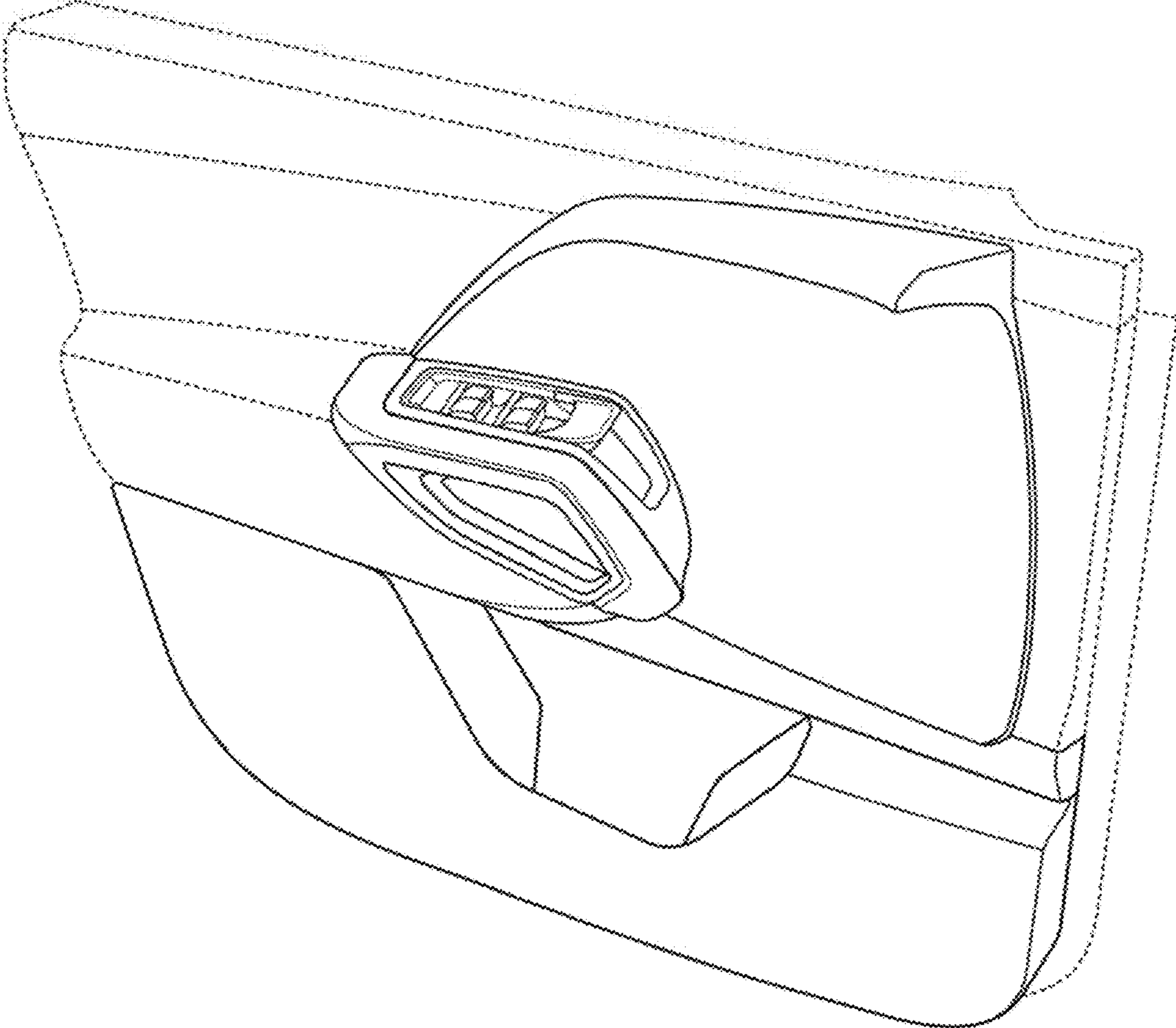


FIG. 1

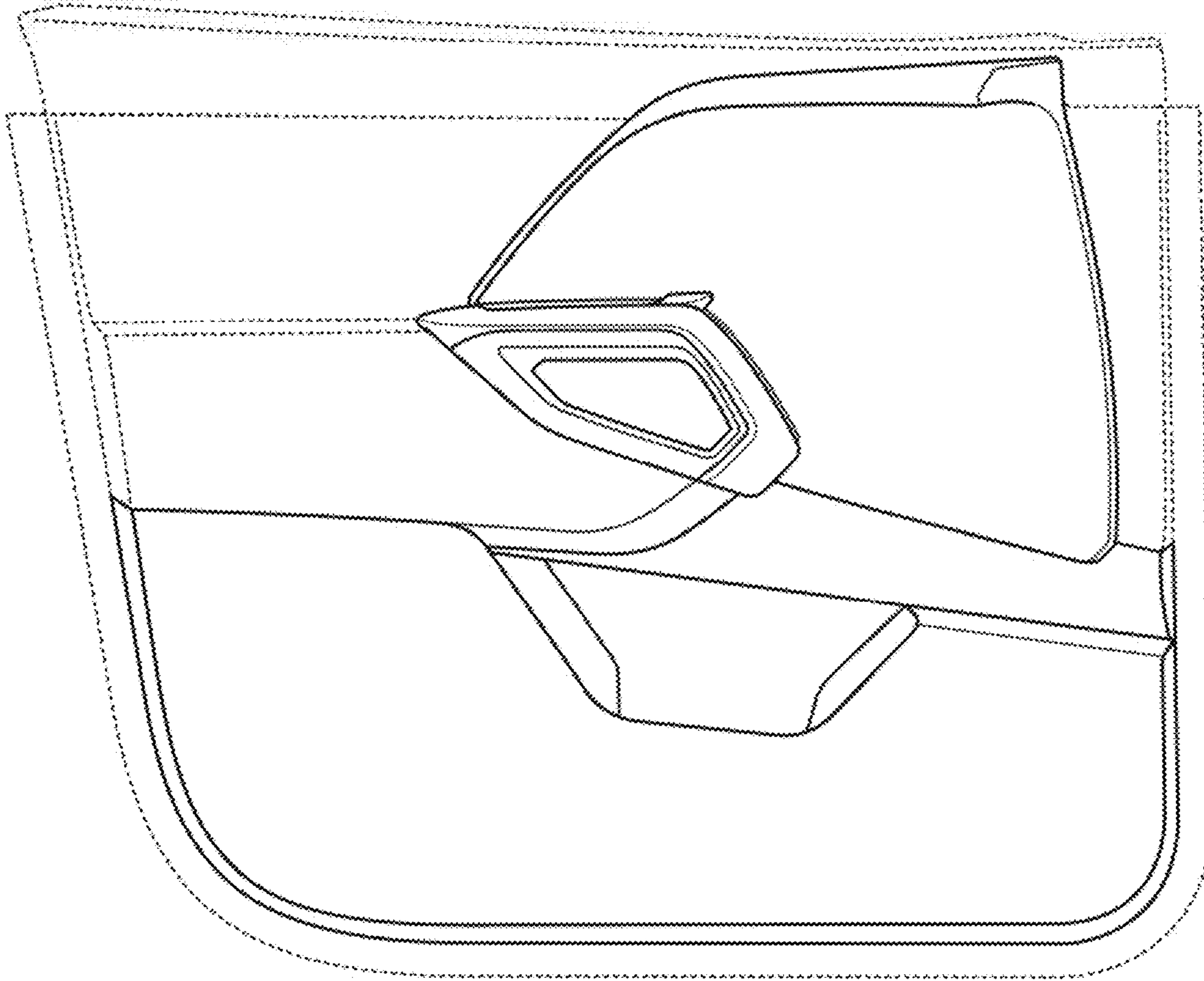


FIG. 2

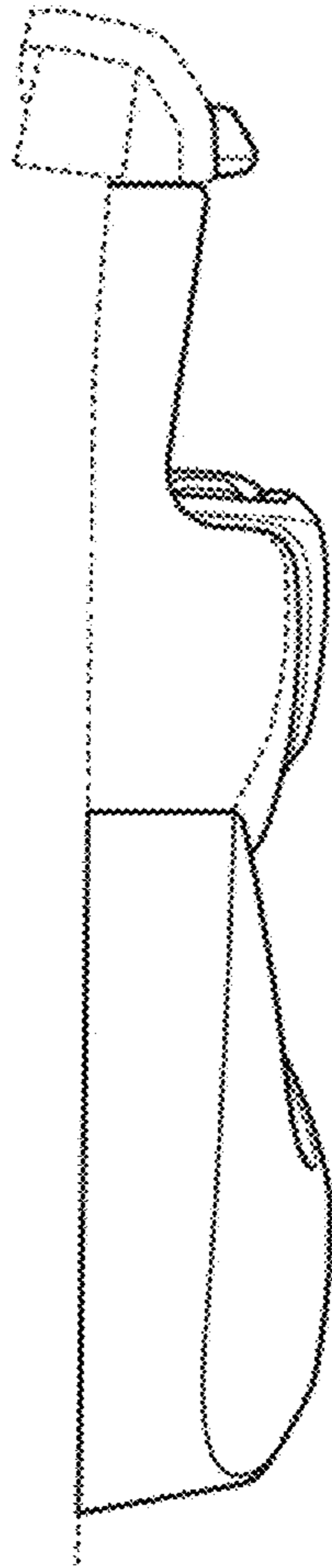


FIG. 3

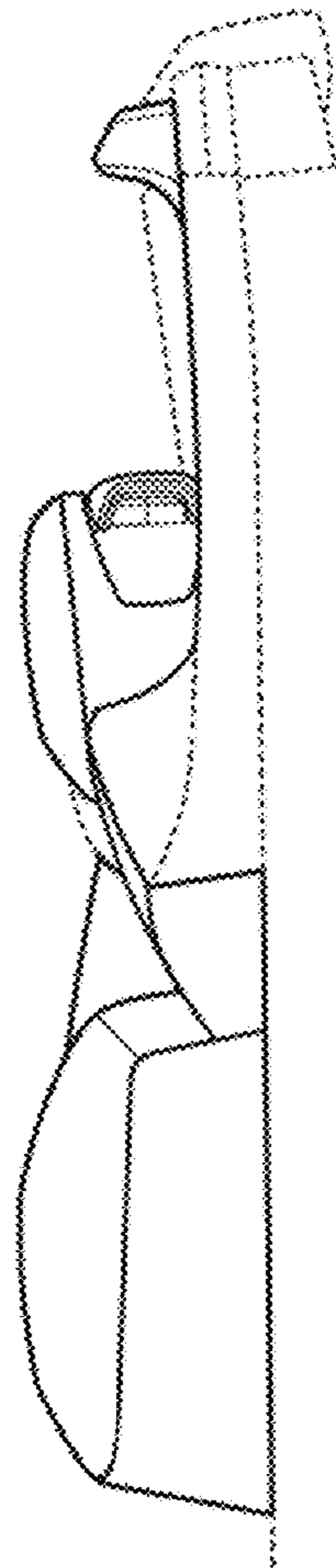


FIG. 4



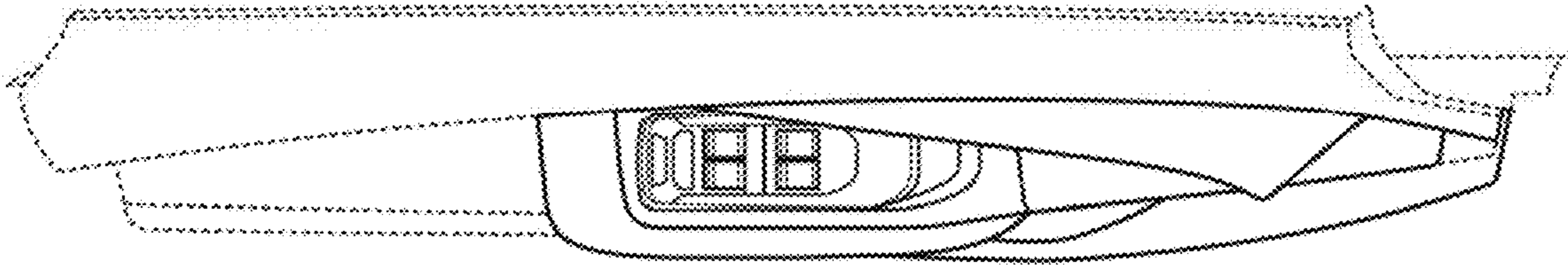


FIG. 5

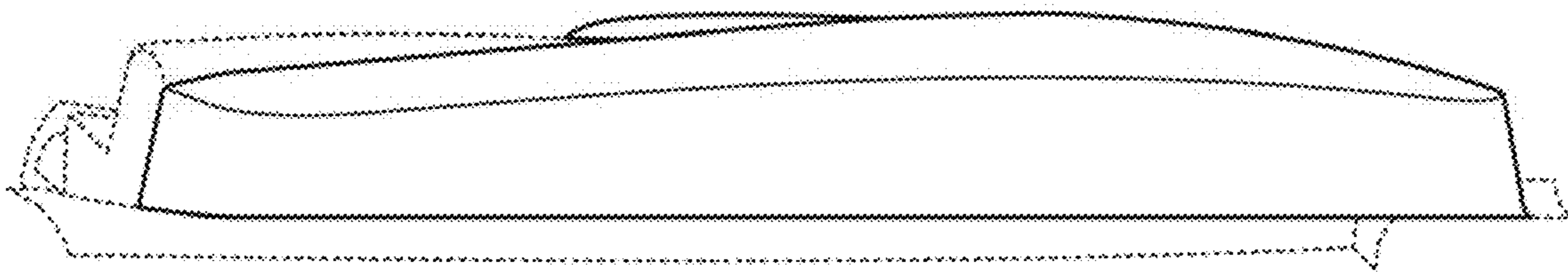


FIG. 6

