

US00D892692S

(12) **United States Design Patent**  
**Blades-Nixon et al.**

(10) **Patent No.:** **US D892,692 S**

(45) **Date of Patent:** **\*\* Aug. 11, 2020**

(54) **DOOR INTERIOR**

(71) Applicant: **TESLA, INC.**, Palo Alto, CA (US)

(72) Inventors: **Peter Blades-Nixon**, Long Beach, CA (US); **David Tadashi Imai**, Los Angeles, CA (US); **Franz von Holzhausen**, Malibu, CA (US)

(73) Assignee: **Tesla, Inc.**, Palo Alto, CA (US)

(\*\*) Term: **15 Years**

(21) Appl. No.: **29/670,452**

(22) Filed: **Nov. 15, 2018**

(51) **LOC (12) Cl.** ..... **12-08**

(52) **U.S. Cl.**  
USPC ..... **D12/195; D12/196**

(58) **Field of Classification Search**  
USPC ..... D12/90, 91, 92, 173, 190, 195, 196  
CPC ..... B60J 5/00; B60J 5/02; B60J 5/04; B60J 5/10; B62D 25/02; B62D 25/04  
See application file for complete search history.

(56) **References Cited**

**U.S. PATENT DOCUMENTS**

D519,429 S \* 4/2006 Miyashita ..... D12/195  
D615,017 S \* 5/2010 Smith ..... D12/195

D766,792 S \* 9/2016 Shimizu ..... D12/195  
D784,882 S \* 4/2017 Lee ..... D12/195  
D784,883 S \* 4/2017 Lee ..... D12/195

\* cited by examiner

*Primary Examiner* — George D. Kirschbaum

*Assistant Examiner* — Joseph J Kukella

(74) *Attorney, Agent, or Firm* — Knobbe, Martens, Olson & Bear, LLP

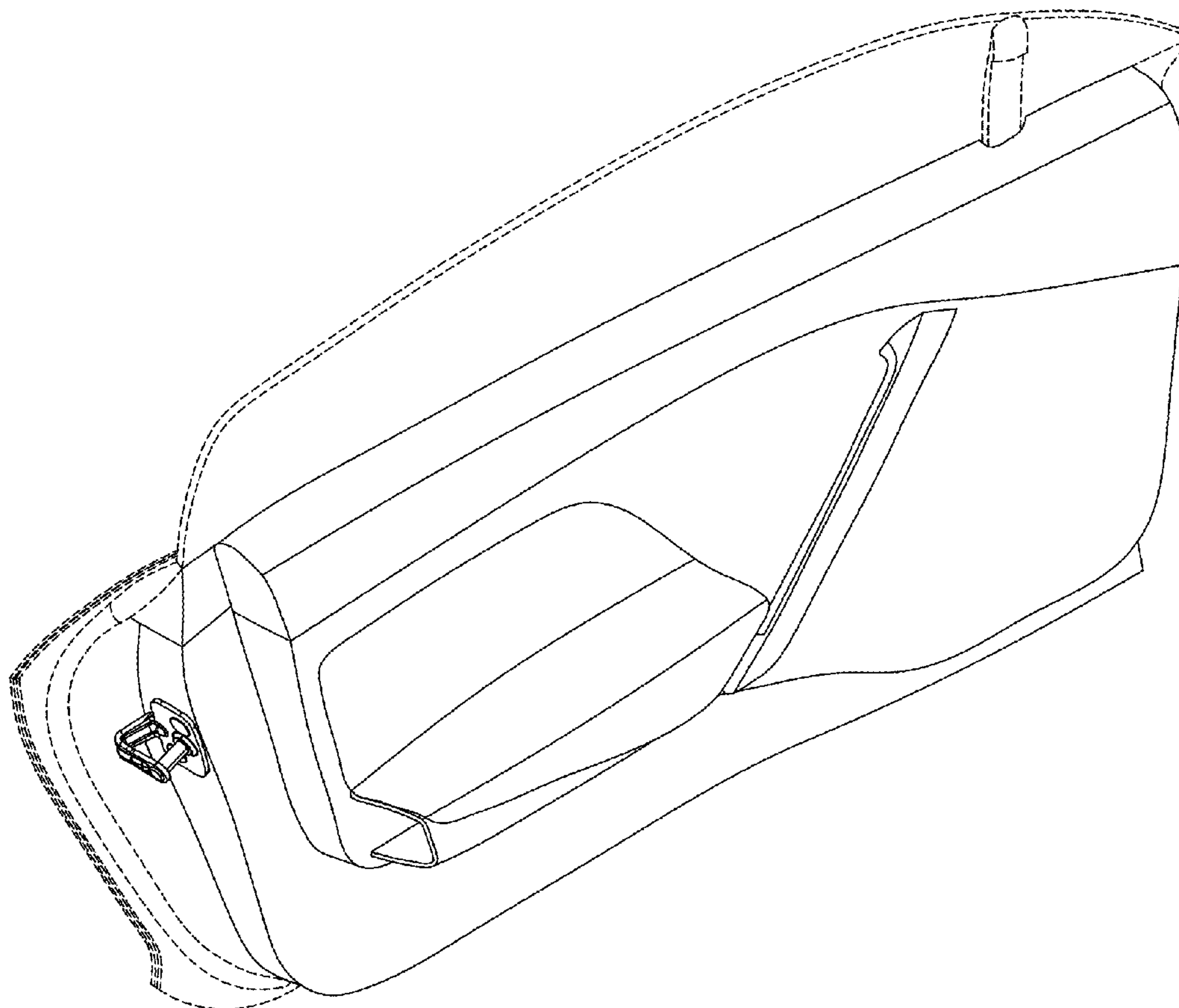
(57) **CLAIM**

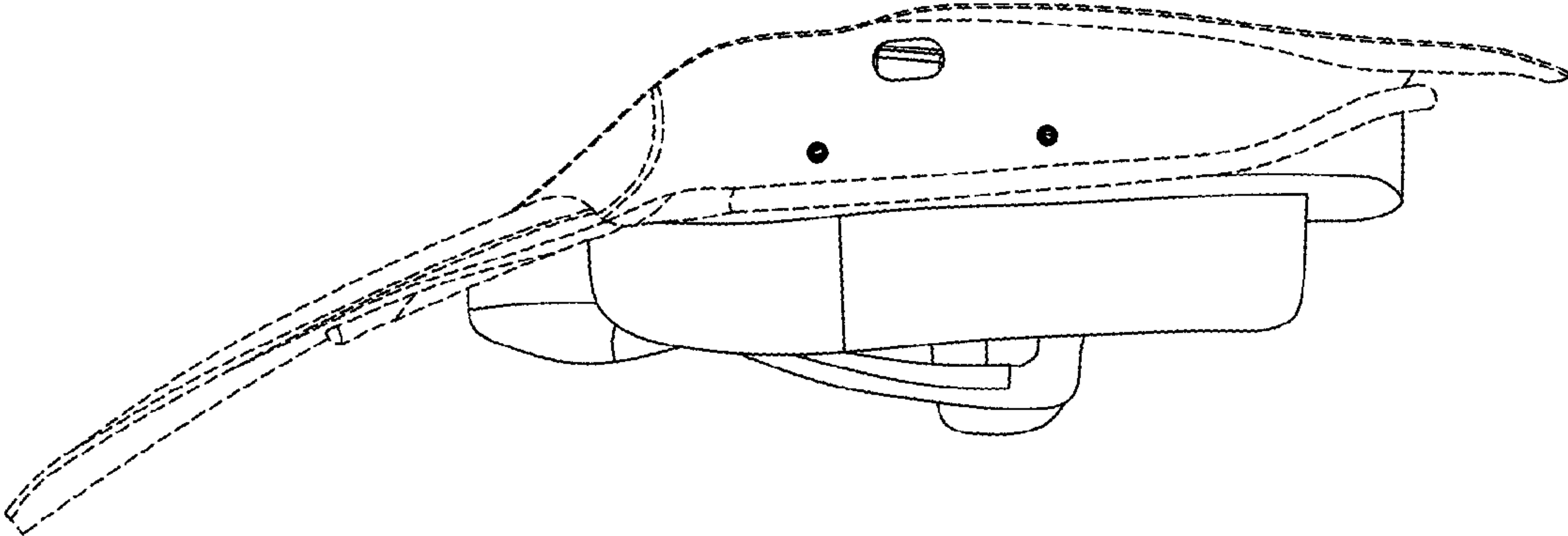
The ornamental design for a door interior, as shown and described.

**DESCRIPTION**

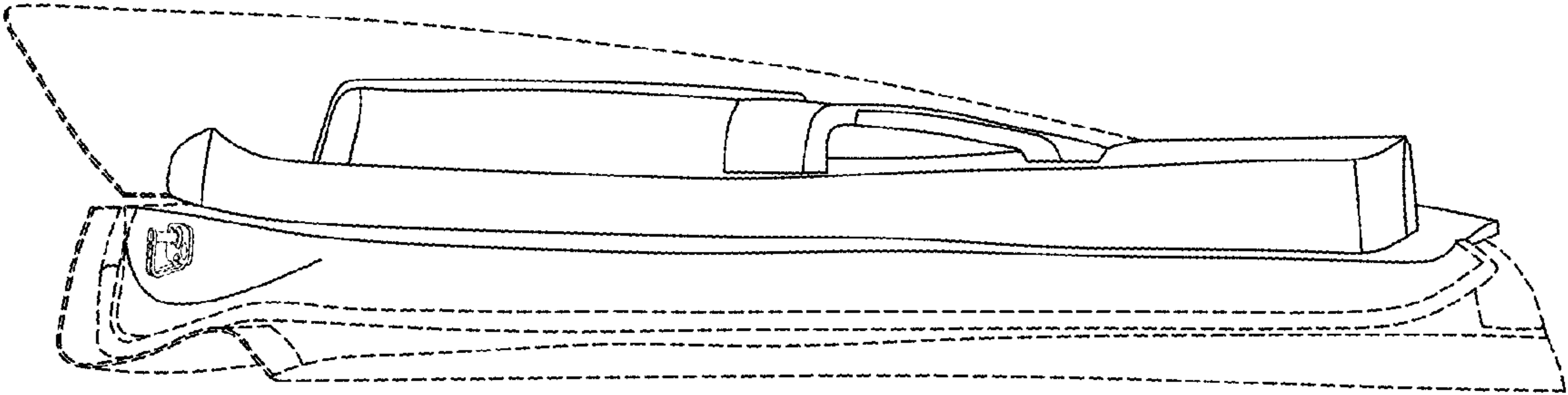
FIG. 1 is a back view of a door interior.  
FIG. 2 is a bottom view of the door interior of FIG. 1.  
FIG. 3 is a front view of the door interior of FIG. 1.  
FIG. 4 is an isometric view of the door interior of FIG. 1.  
FIG. 5 is a left-side view of the door interior of FIG. 1.  
FIG. 6 is a right-side view of the door interior of FIG. 1; and,  
FIG. 7 is a top view of the door interior of FIG. 1.  
In the drawings the broken lines depict portions of the door interior that form no part of the claimed design.

**1 Claim, 7 Drawing Sheets**





*FIG. 1*



*FIG. 2*

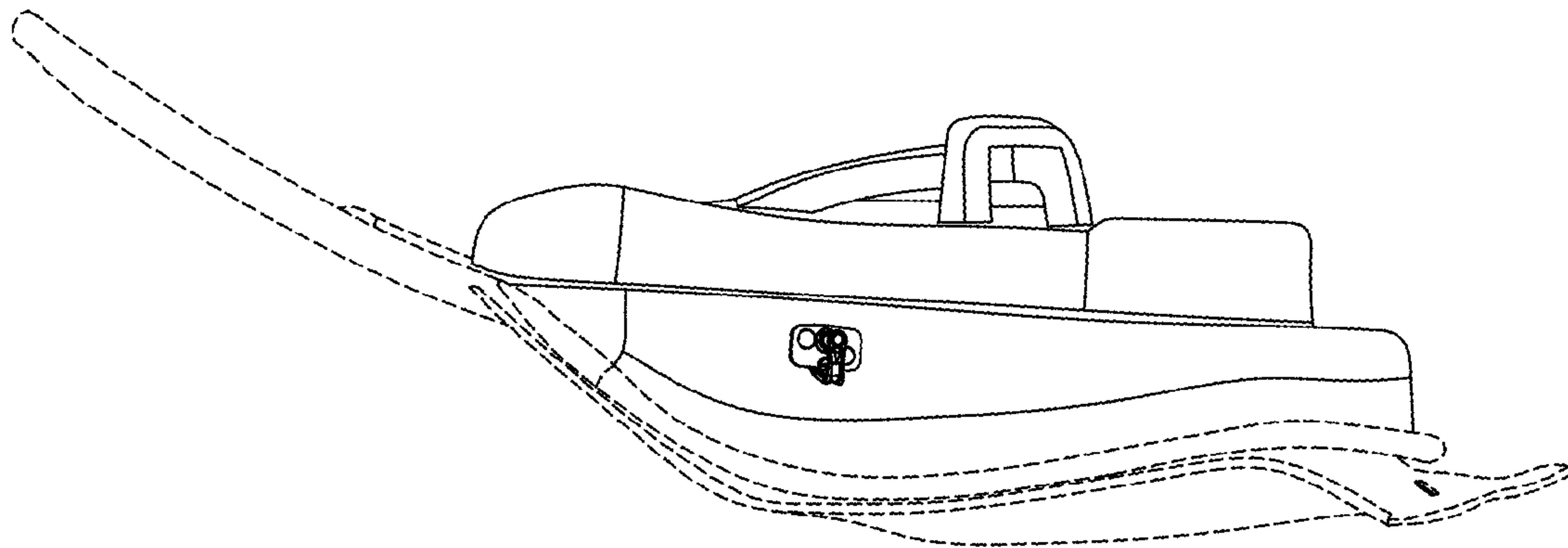


FIG. 3

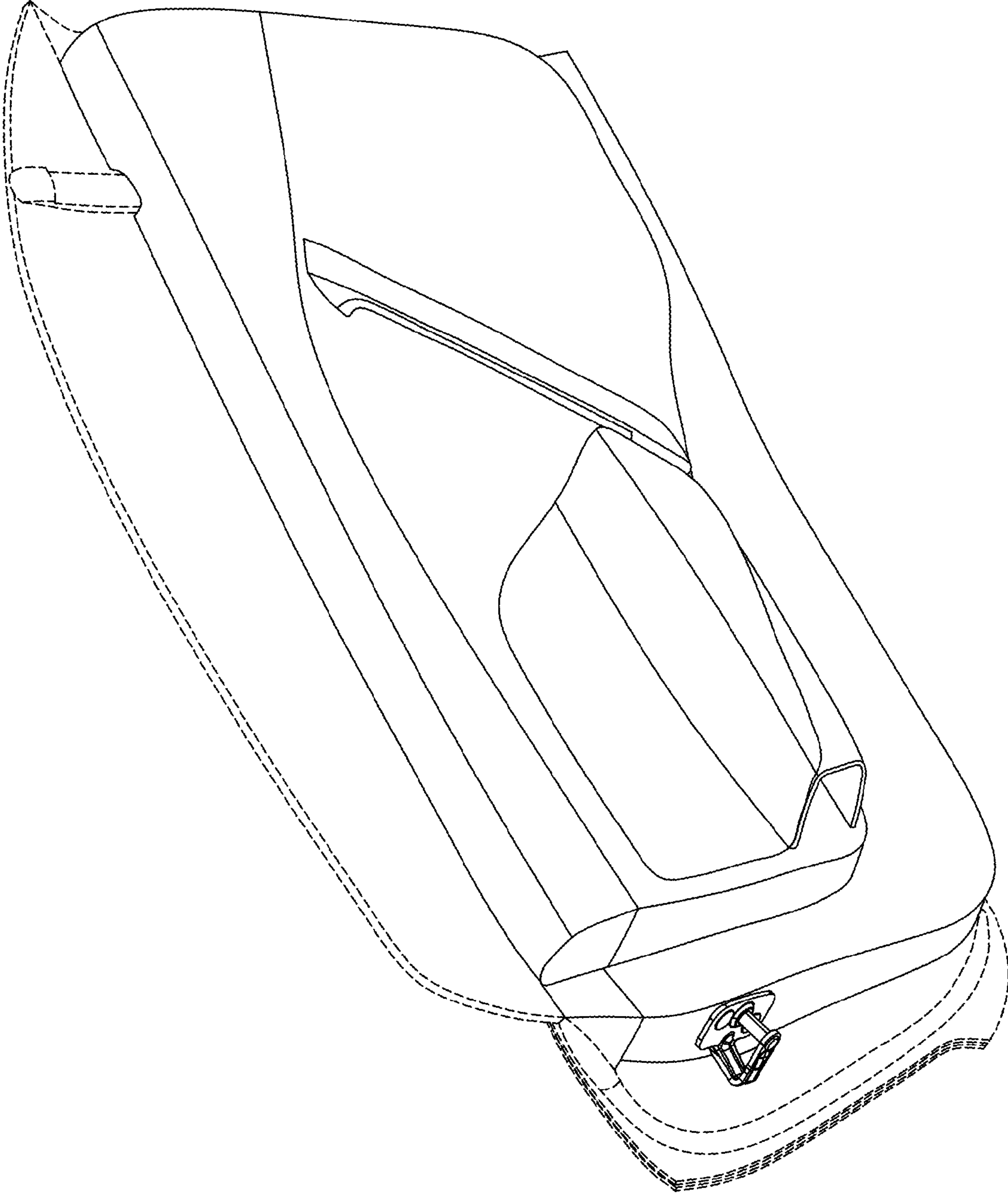
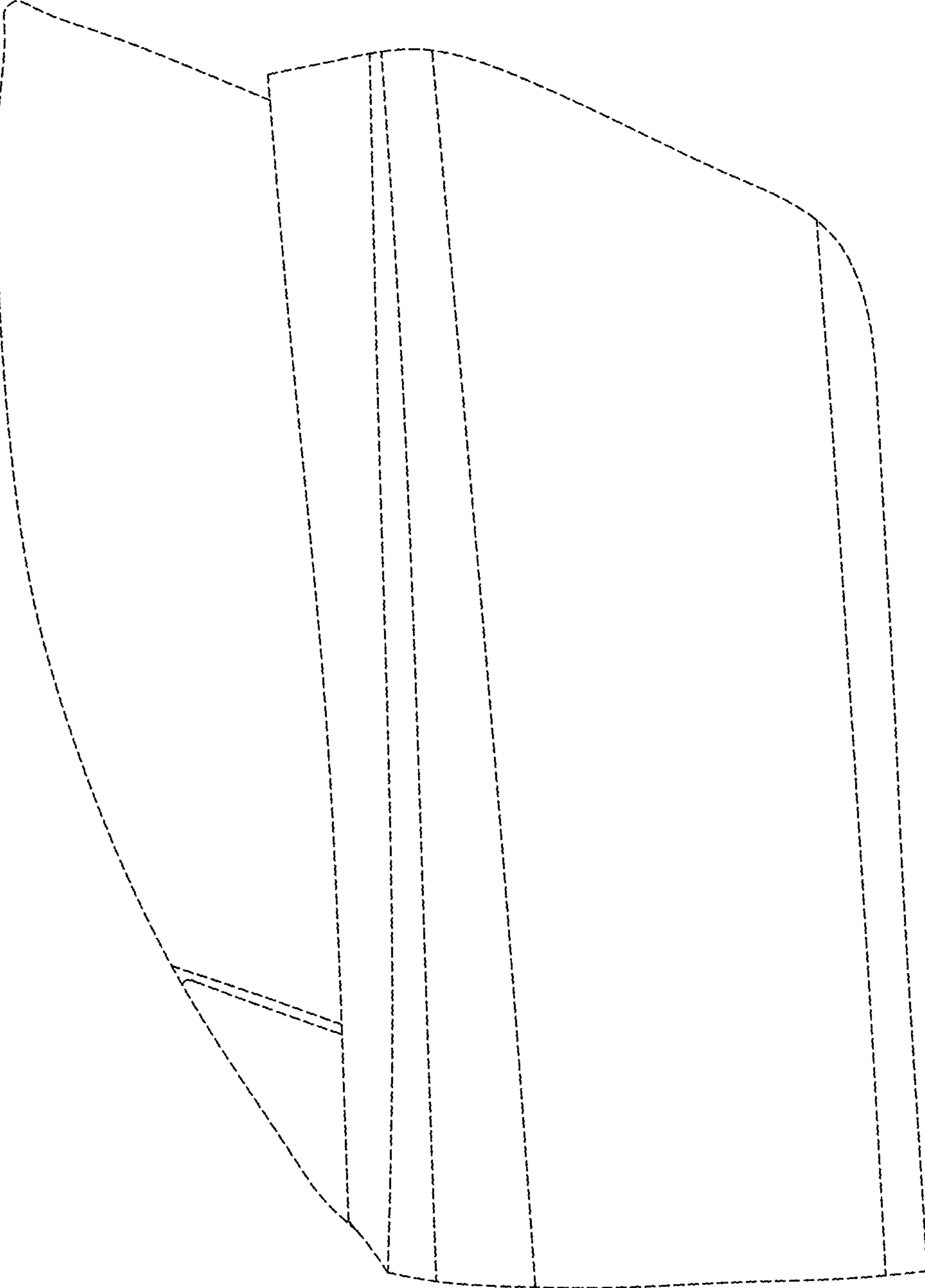
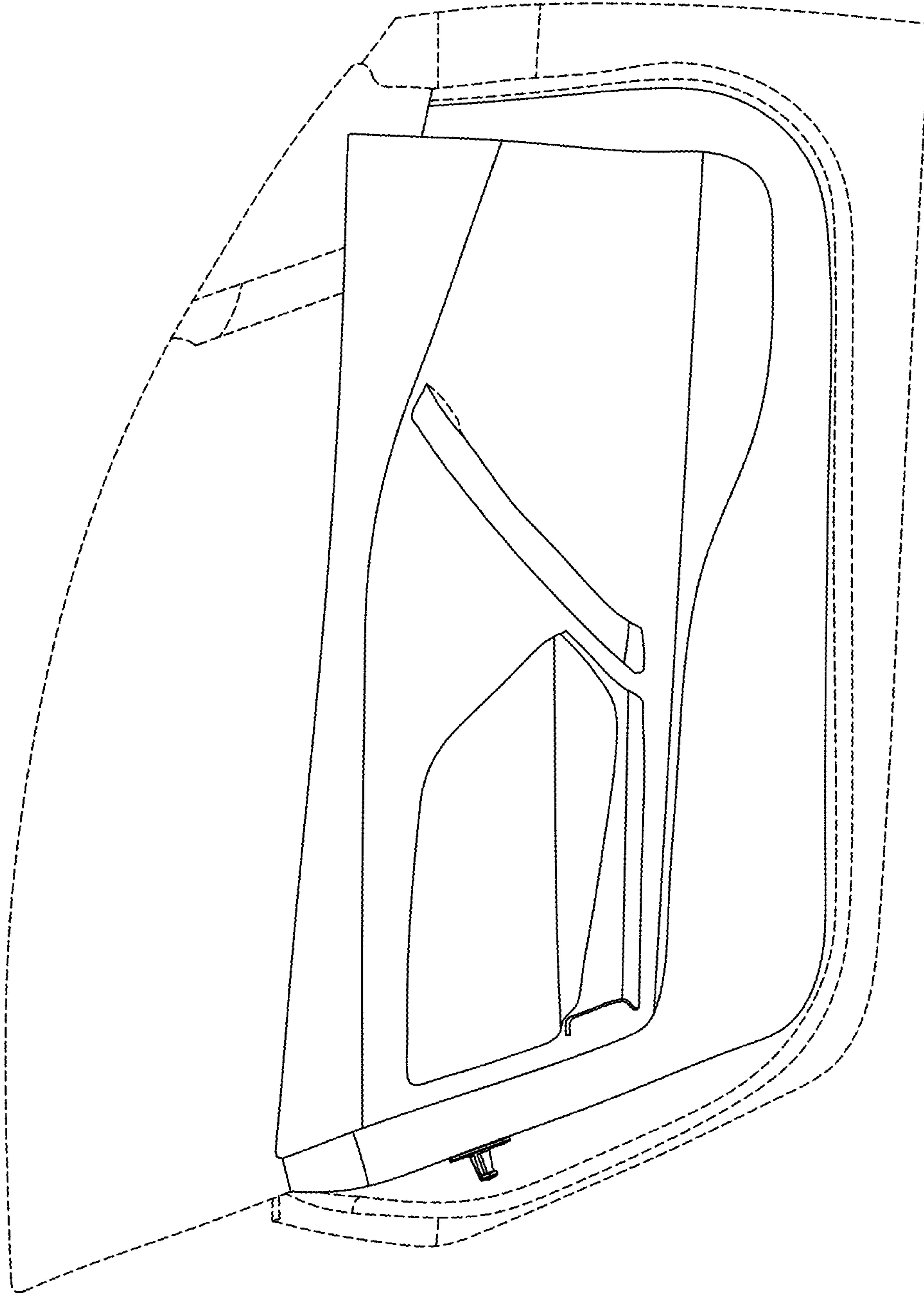


FIG. 4

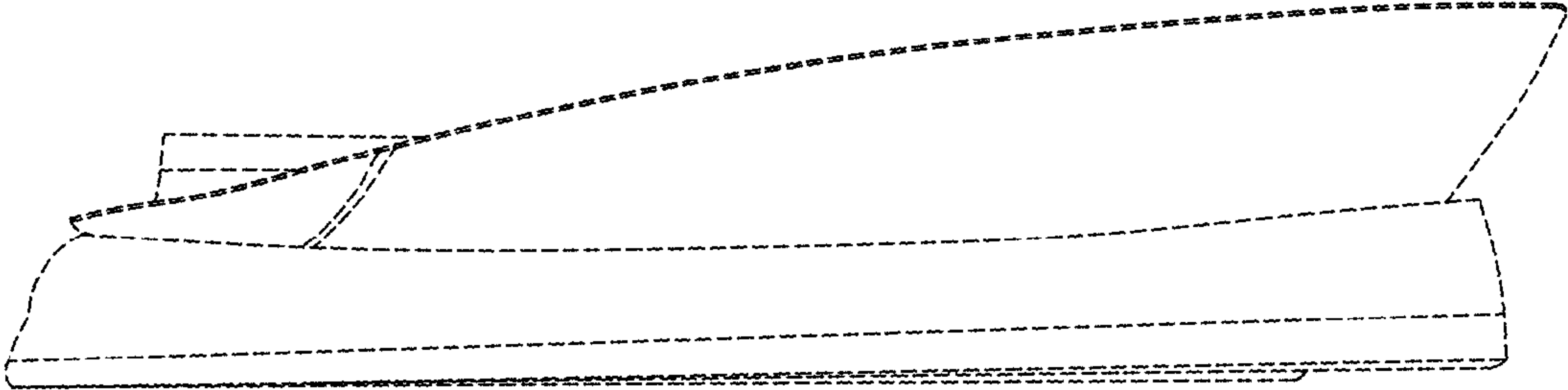


*FIG. 5*





*FIG. 6*



*FIG. 7*