



US00D892691S

(12) **United States Design Patent** (10) **Patent No.:** **US D892,691 S**  
**Filakousky** (45) **Date of Patent:** **\*\* \*Aug. 11, 2020**

- (54) **LICENSE PLATE FRAME**
- (71) Applicant: **Gerald Filakousky**, Westminster, CA (US)
- (72) Inventor: **Gerald Filakousky**, Westminster, CA (US)
- (\*) Notice: This patent is subject to a terminal disclaimer.
- (\*\*) Term: **15 Years**
- (21) Appl. No.: **29/665,160**
- (22) Filed: **Oct. 1, 2018**
- (51) **LOC (12) Cl.** ..... **12-16**
- (52) **U.S. Cl.**  
USPC ..... **D12/193**
- (58) **Field of Classification Search**  
USPC ..... D12/193; D6/300, 301, 302, 310, 311, D6/312, 313, 314; D20/13  
CPC ..... B60R 13/10; B60R 13/105; B60R 19/24; B60R 19/52  
See application file for complete search history.

- D676,792 S \* 2/2013 Benjamini ..... D12/193
- D689,803 S \* 9/2013 Spencer ..... D12/193
- D691,534 S \* 10/2013 Spencer ..... D12/193
- D715,203 S \* 10/2014 Spencer ..... D12/193
- D721,998 S \* 2/2015 Spencer ..... D12/193
- D791,665 S \* 7/2017 Filakousky ..... D12/193
- D792,825 S \* 7/2017 Filakousky ..... D12/193
- D816,569 S \* 5/2018 Huang ..... D12/193
- 10,220,801 B1 \* 3/2019 Spencer ..... B60R 13/105

\* cited by examiner

*Primary Examiner* — Natasha Vujcic  
(74) *Attorney, Agent, or Firm* — The Law Office of Austin Bonderer, PC; Austin Bonderer

(57) **CLAIM**

I claim, the ornamental design for a license plate frame, as shown and described.

**DESCRIPTION**

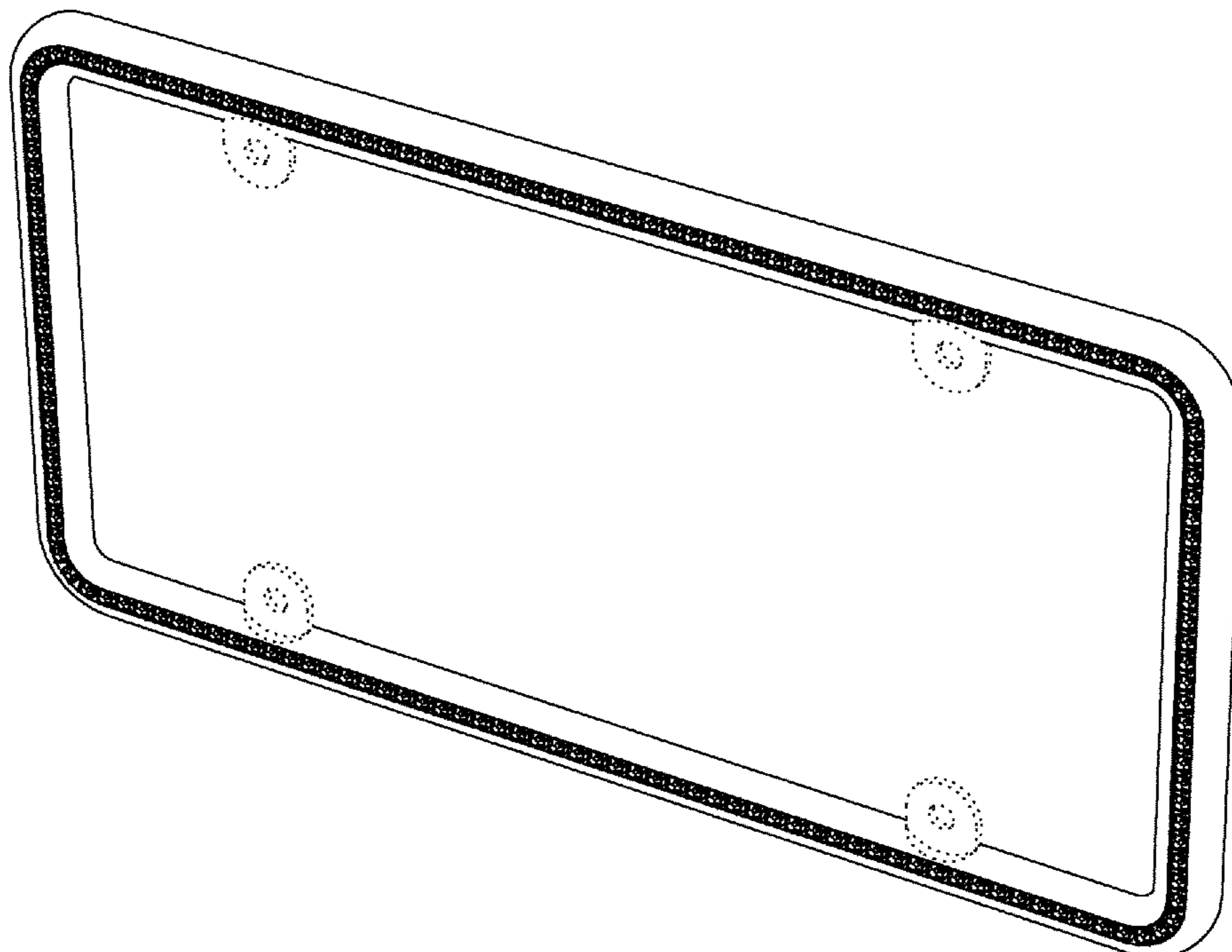
FIG. 1 is a perspective view of the license plate frame showing the new design;  
 FIG. 2 is a front view thereof;  
 FIG. 3 is a rear view thereof  
 FIG. 4 is a right side view thereof;  
 FIG. 5 is a left side view thereof;  
 FIG. 6 is a top view thereof; and  
 FIG. 7 is a bottom view thereof;  
 FIG. 8 is a detail of the corner of the license plate frame taken from the highlighted circle in FIGS. 2 and 11; and,  
 FIG. 9 is a cross-section view of the corner taken from the cut line 9-9 in FIG. 8.  
 The broken lines in the drawings illustrate portions of the license plate frame which form no part of the claimed design.

**1 Claim, 5 Drawing Sheets**

(56) **References Cited**

U.S. PATENT DOCUMENTS

- D521,916 S \* 5/2006 Spencer ..... D12/193
- D524,210 S \* 7/2006 Spencer ..... D12/193
- D537,395 S \* 2/2007 Magee ..... D12/193
- D538,722 S \* 3/2007 Tofer ..... D12/193
- D602,832 S \* 10/2009 Tharp ..... D12/193
- D636,713 S \* 4/2011 Ohm ..... D12/193
- D650,729 S \* 12/2011 Dong ..... D12/193
- D662,448 S \* 6/2012 Krankkala ..... D12/193



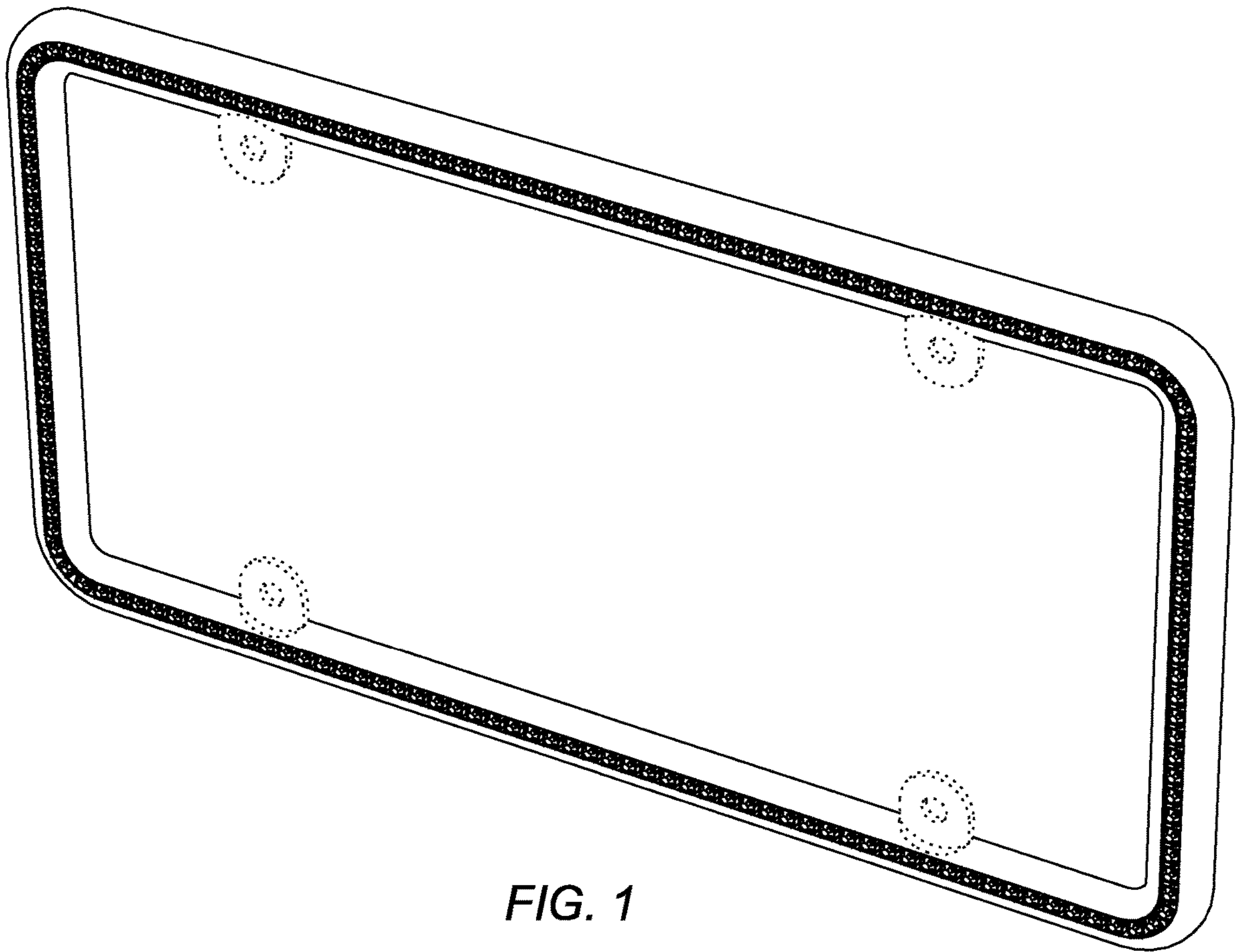


FIG. 1

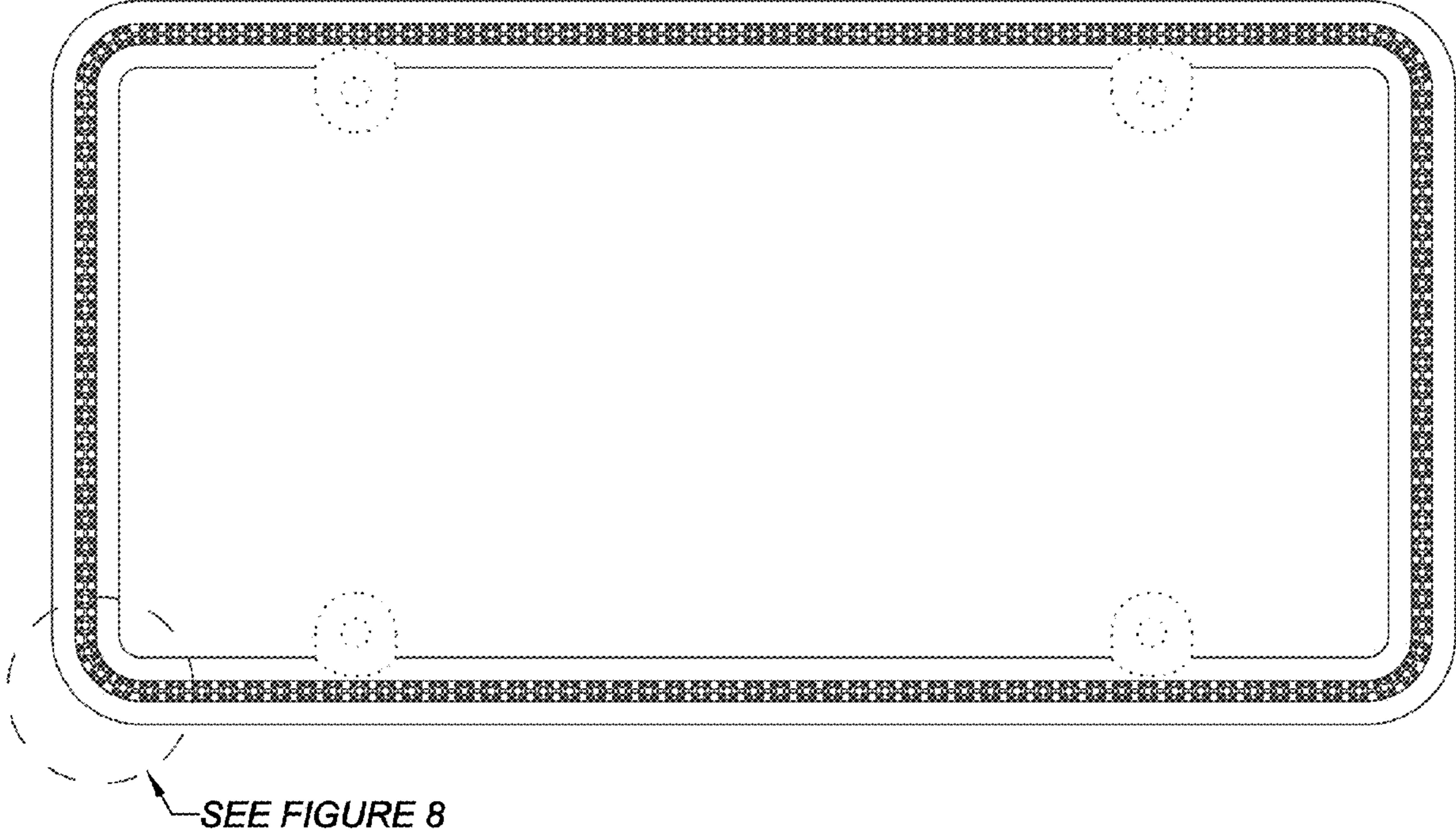
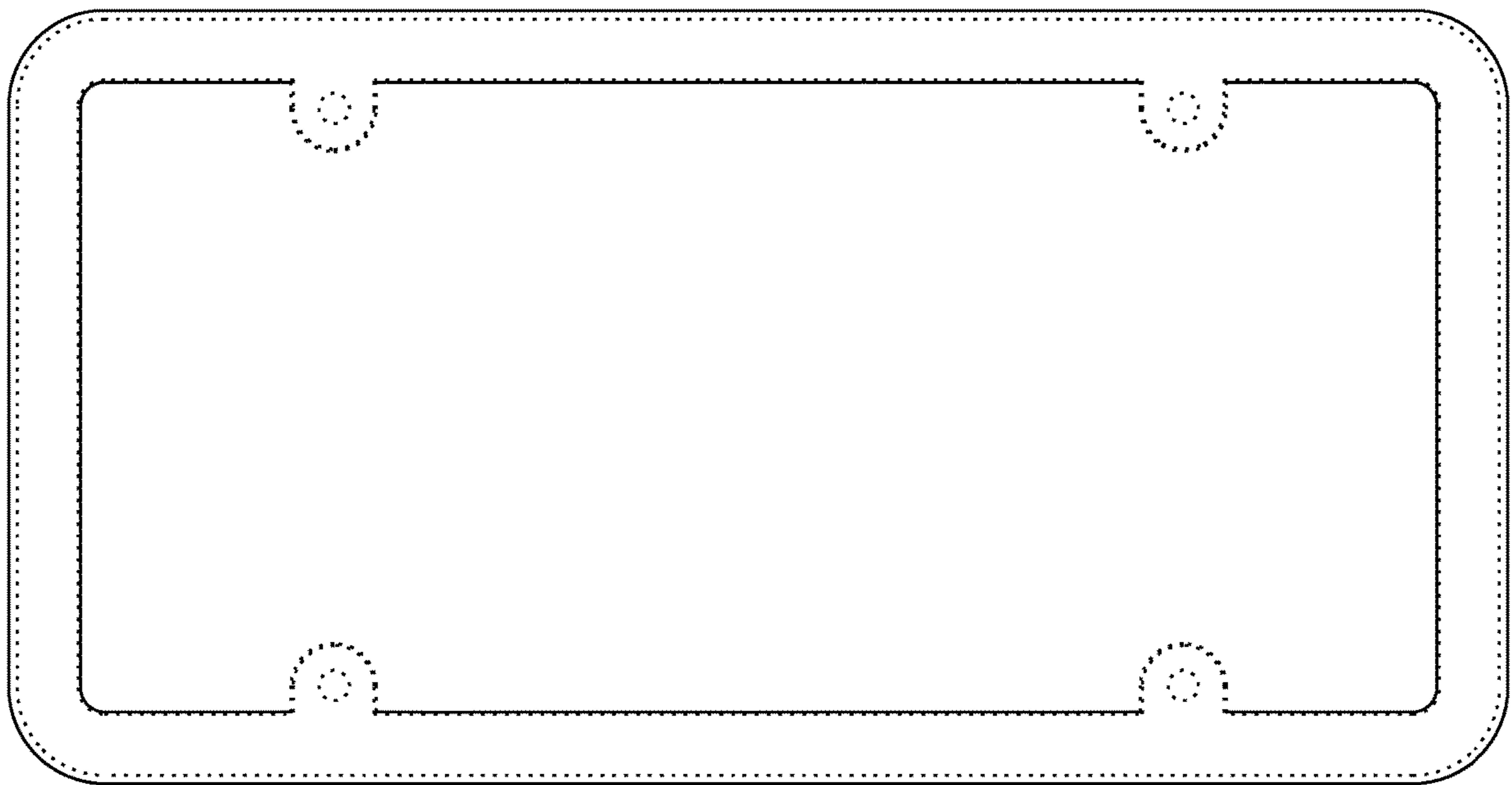


FIG. 2



*FIG. 3*



*FIG. 4*



*FIG. 5*



*FIG. 6*



*FIG. 7*

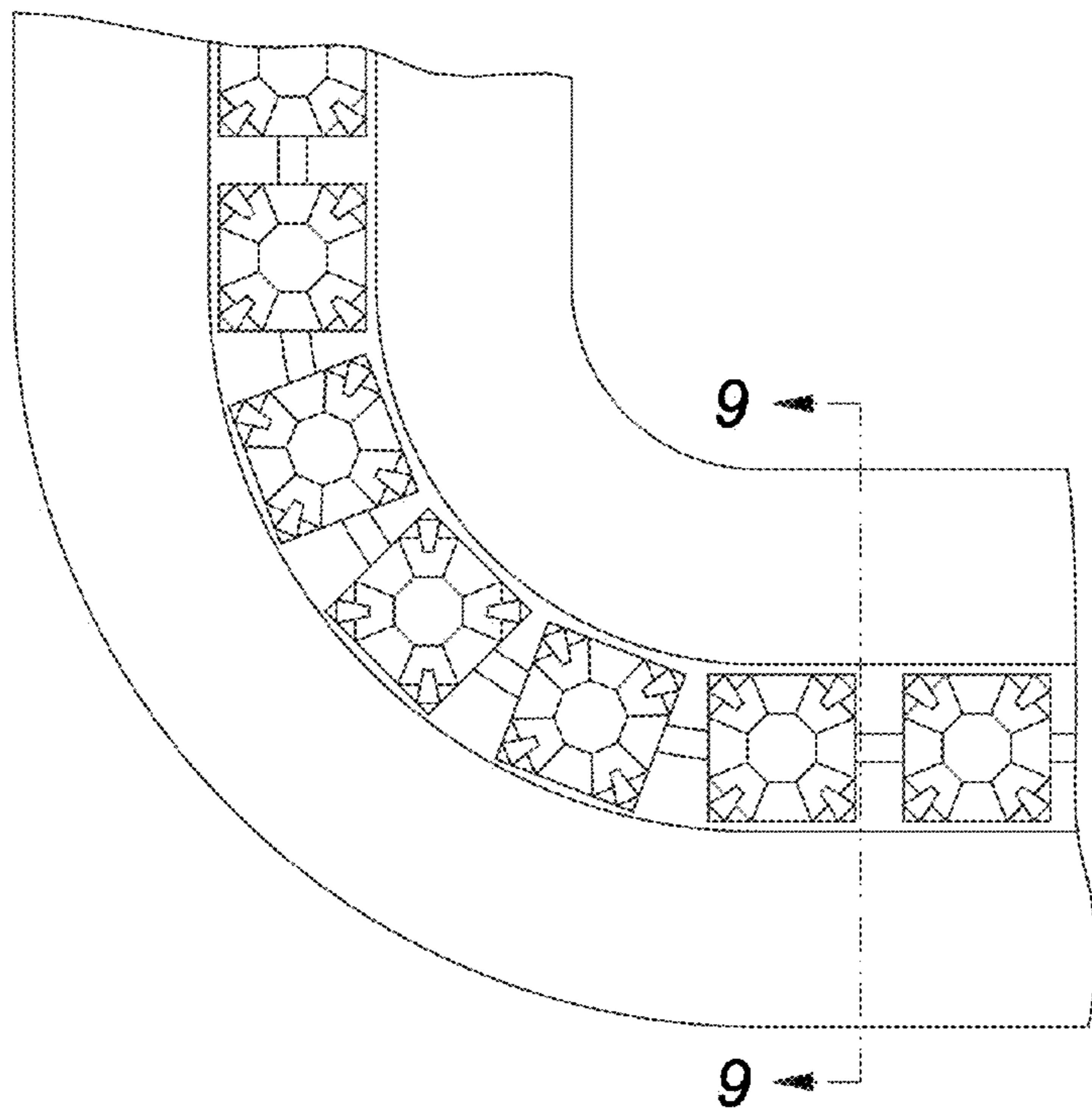


FIG. 8

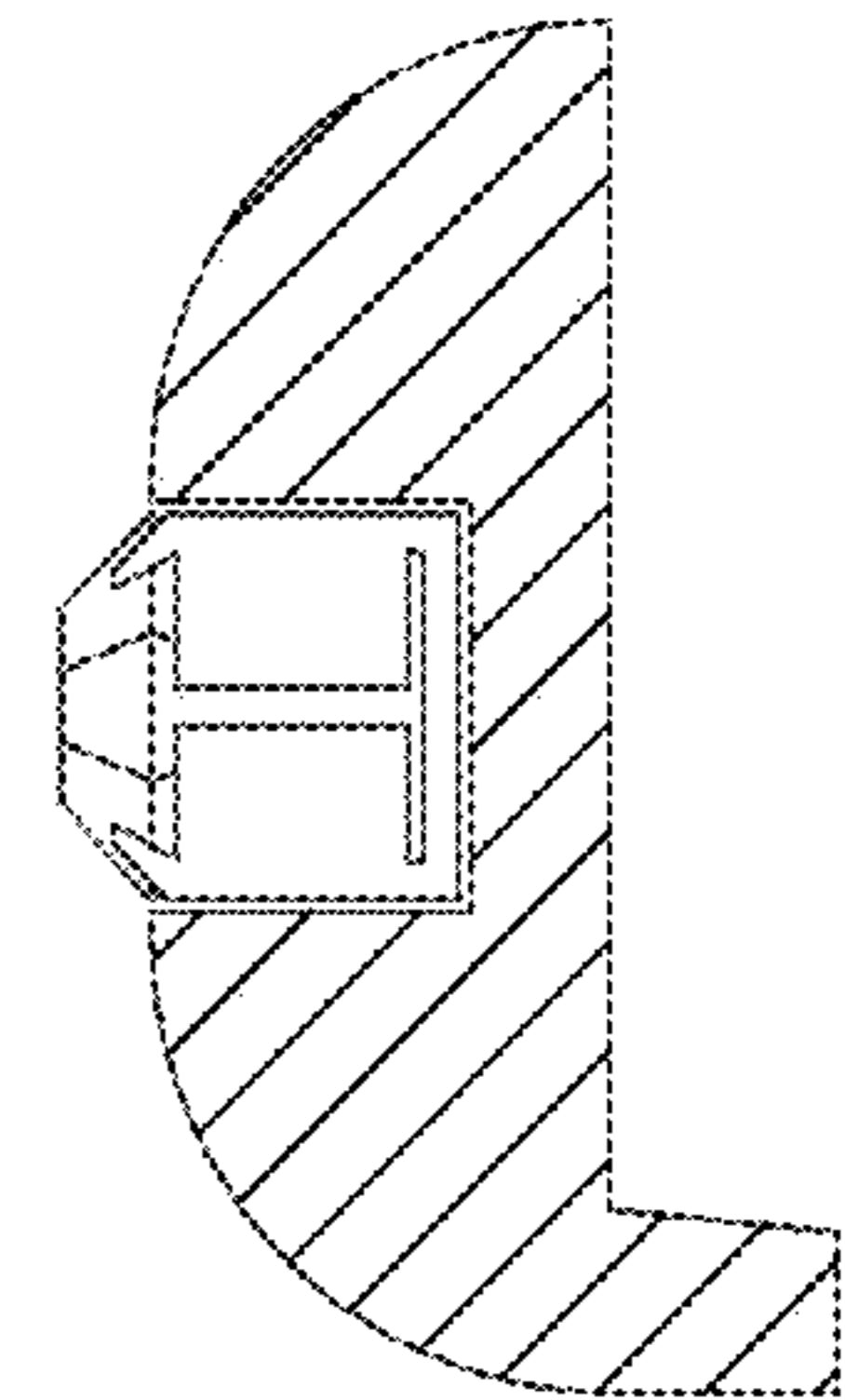


FIG. 9