



US00D892690S

(12) **United States Design Patent** (10) **Patent No.:** **US D892,690 S**
Filakousky (45) **Date of Patent:** **** Aug. 11, 2020**

- (54) **LICENSE PLATE FRAME**
- (71) Applicant: **Gerald Filakousky**, Westminster, CA (US)
- (72) Inventor: **Gerald Filakousky**, Westminster, CA (US)
- (**) Term: **15 Years**
- (21) Appl. No.: **29/665,158**
- (22) Filed: **Oct. 1, 2018**
- (51) **LOC (12) Cl.** **12-16**
- (52) **U.S. Cl.**
USPC **D12/193**
- (58) **Field of Classification Search**
USPC D12/193; D6/300, 301, 302, 310, 311, D6/312, 313, 314; D20/13
CPC B60R 13/10; B60R 13/105; B60R 19/24; B60R 19/52
See application file for complete search history.

- D792,825 S * 7/2017 Filakousky D12/193
 - D816,569 S * 5/2018 Huang D12/193
 - 10,220,801 B1 * 3/2019 Spencer B60R 13/105
- * cited by examiner

Primary Examiner — Natasha Vujcic
(74) *Attorney, Agent, or Firm* — The Law Office of Austin Bonderer, PC; Austin Bonderer

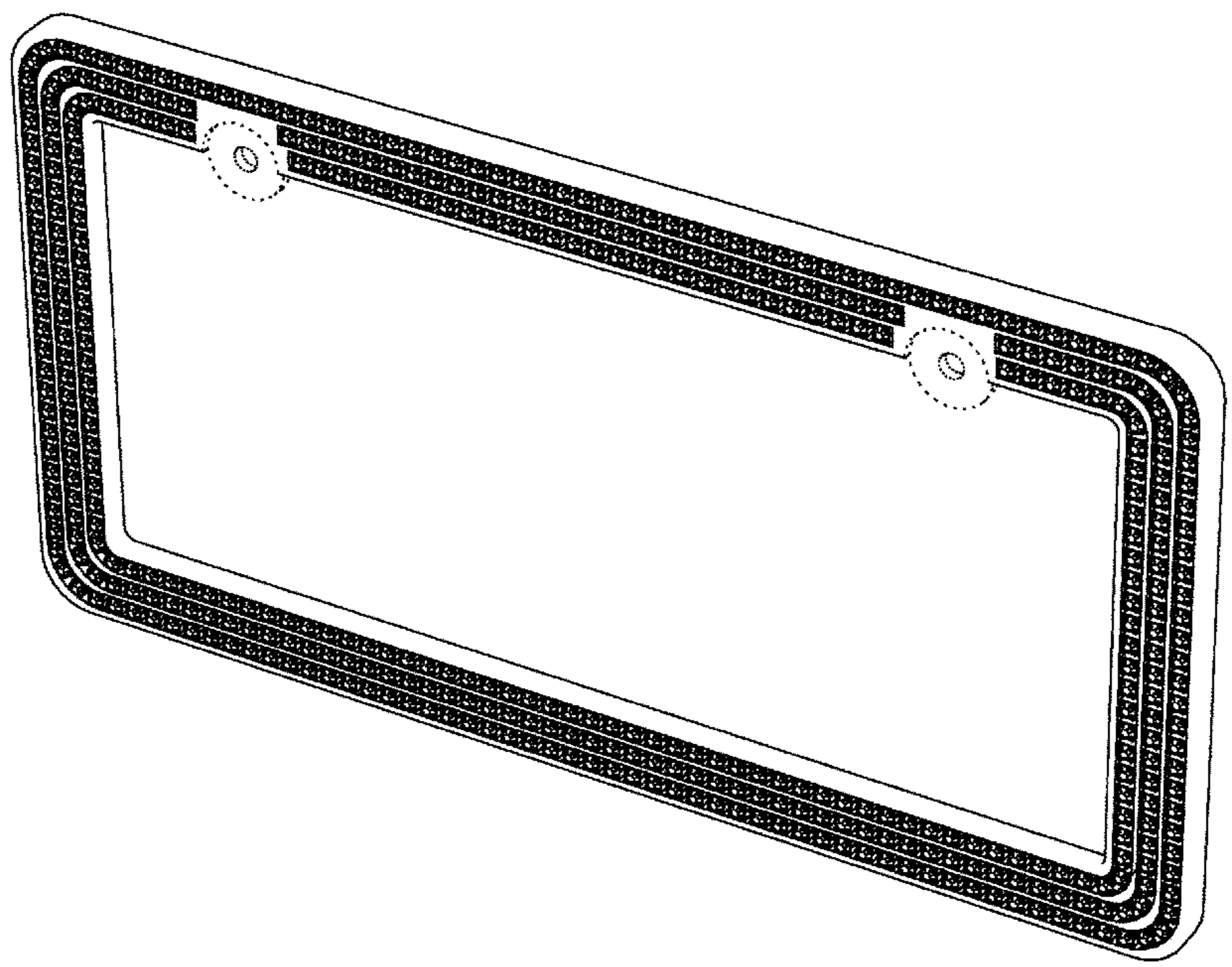
(57) **CLAIM**
The ornamental design for a license plate frame, as shown and described.

DESCRIPTION

FIG. 1 is a perspective view of an embodiment of the license plate frame showing the new design;
FIG. 2 is a front view thereof;
FIG. 3 is a rear view thereof
FIG. 4 is a right side view thereof;
FIG. 5 is a left side view thereof;
FIG. 6 is a top view thereof;
FIG. 7 is a bottom view thereof;
FIG. 8 is a detail of the corner of the license plate frame taken from the highlighted circle in FIGS. 2 and 11;
FIG. 9 is a cross-section view of the corner taken from the cut line 9-9 in FIG. 8;
FIG. 10 is a perspective view of an embodiment of the license plate frame showing the new design;
FIG. 11 is a front view thereof;
FIG. 12 is a rear view thereof
FIG. 13 is a right side view thereof;
FIG. 14 is a left side view thereof;
FIG. 15 is a top view thereof; and,
FIG. 16 is a bottom view thereof.
The broken lines in the drawings illustrate portions of the license plate frame which form no part of the claimed design.

- (56) **References Cited**
U.S. PATENT DOCUMENTS
- | | | | | | |
|------------|---|---------|------------|-------|---------|
| D521,916 S | * | 5/2006 | Spencer | | D12/193 |
| D524,210 S | * | 7/2006 | Spencer | | D12/193 |
| D537,395 S | * | 2/2007 | Magee | | D12/193 |
| D538,722 S | * | 3/2007 | Tofer | | D12/193 |
| D602,832 S | * | 10/2009 | Tharp | | D12/193 |
| D636,713 S | * | 4/2011 | Ohm | | D12/193 |
| D650,729 S | * | 12/2011 | Dong | | D12/193 |
| D662,448 S | * | 6/2012 | Krankkala | | D12/193 |
| D676,792 S | * | 2/2013 | Benjamini | | D12/193 |
| D689,803 S | * | 9/2013 | Spencer | | D12/193 |
| D691,534 S | * | 10/2013 | Spencer | | D12/193 |
| D715,203 S | * | 10/2014 | Spencer | | D12/193 |
| D721,998 S | * | 2/2015 | Spencer | | D12/193 |
| D791,665 S | * | 7/2017 | Filakousky | | D12/193 |

1 Claim, 9 Drawing Sheets



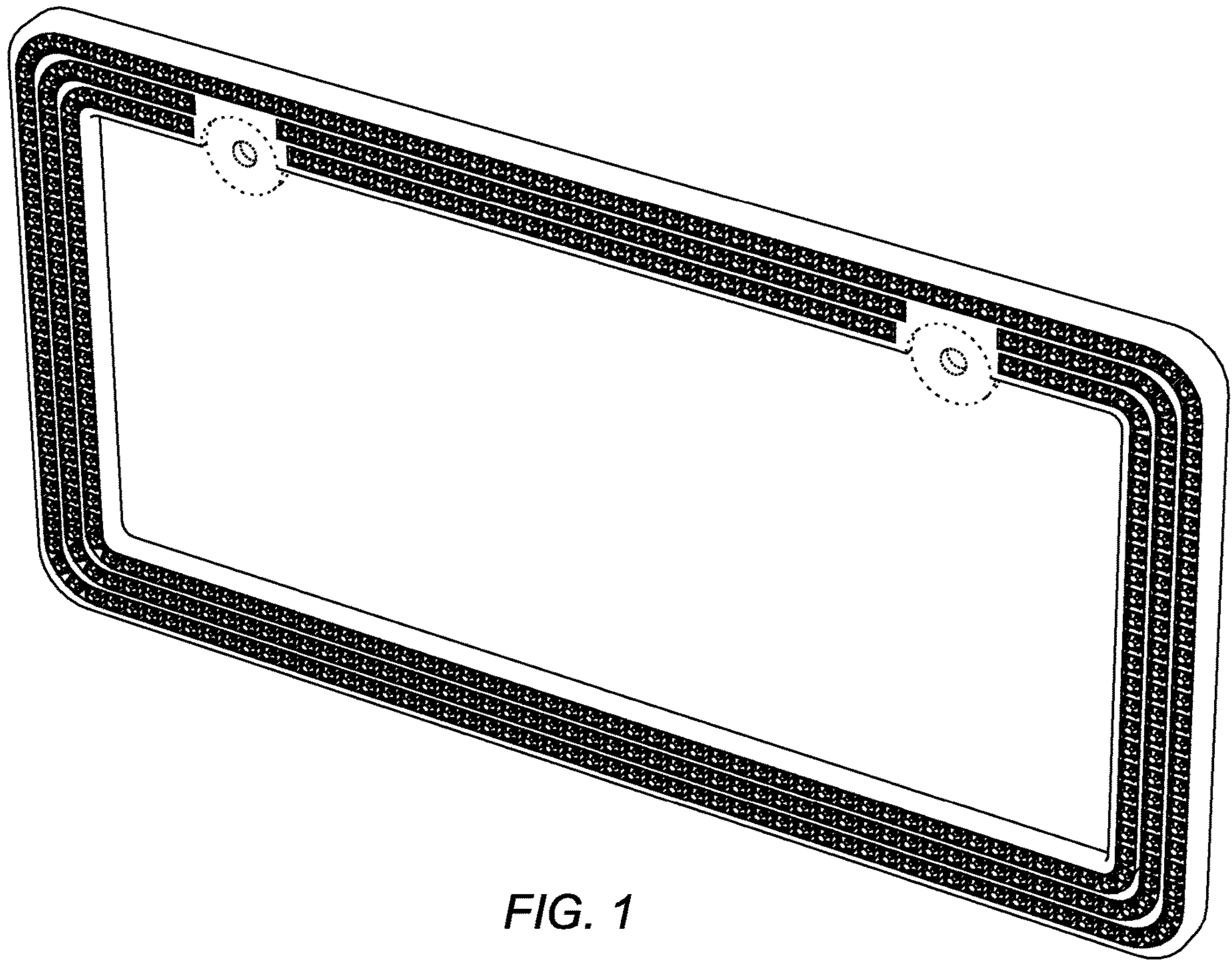


FIG. 1

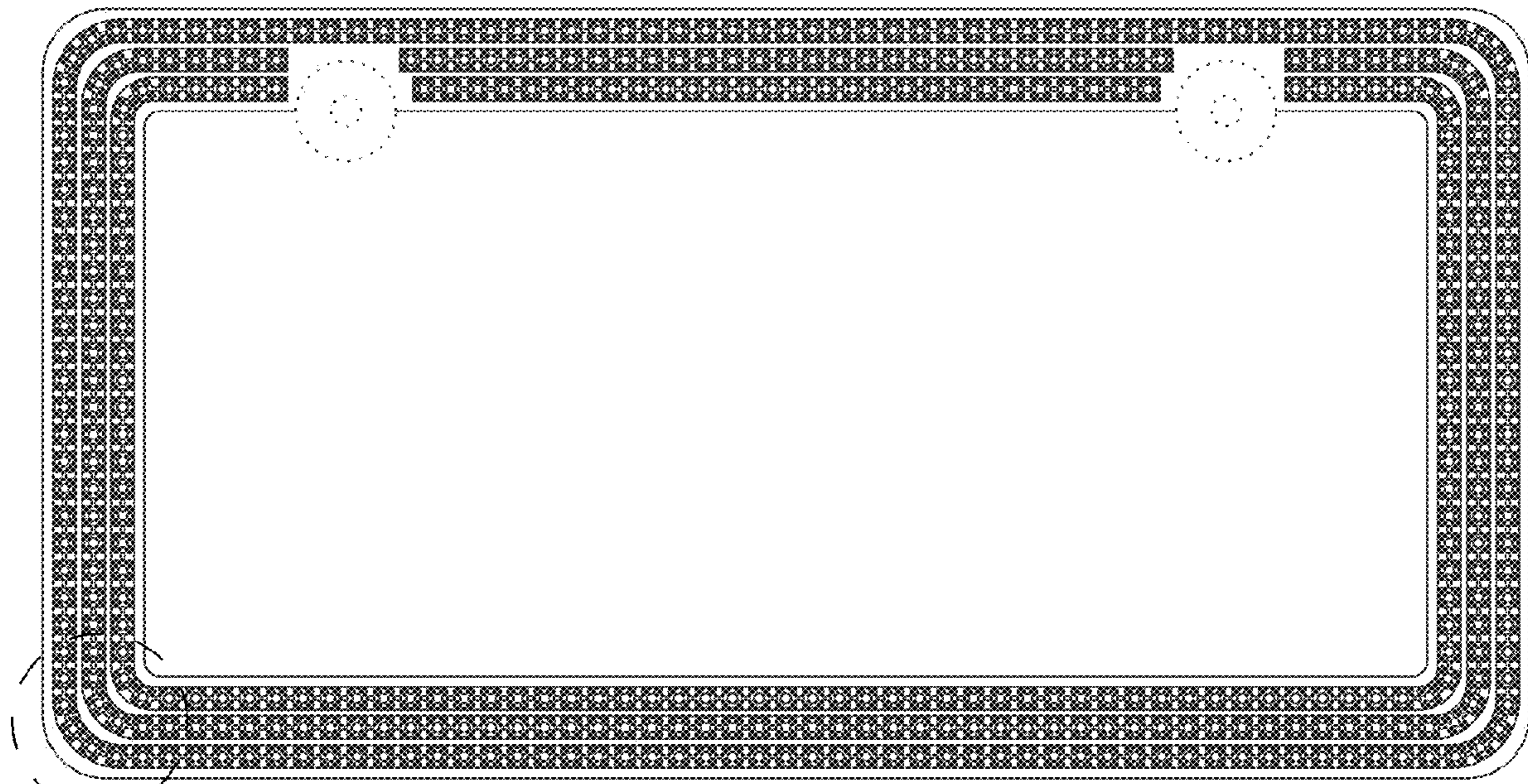


FIG. 2

SEE FIGURE 8

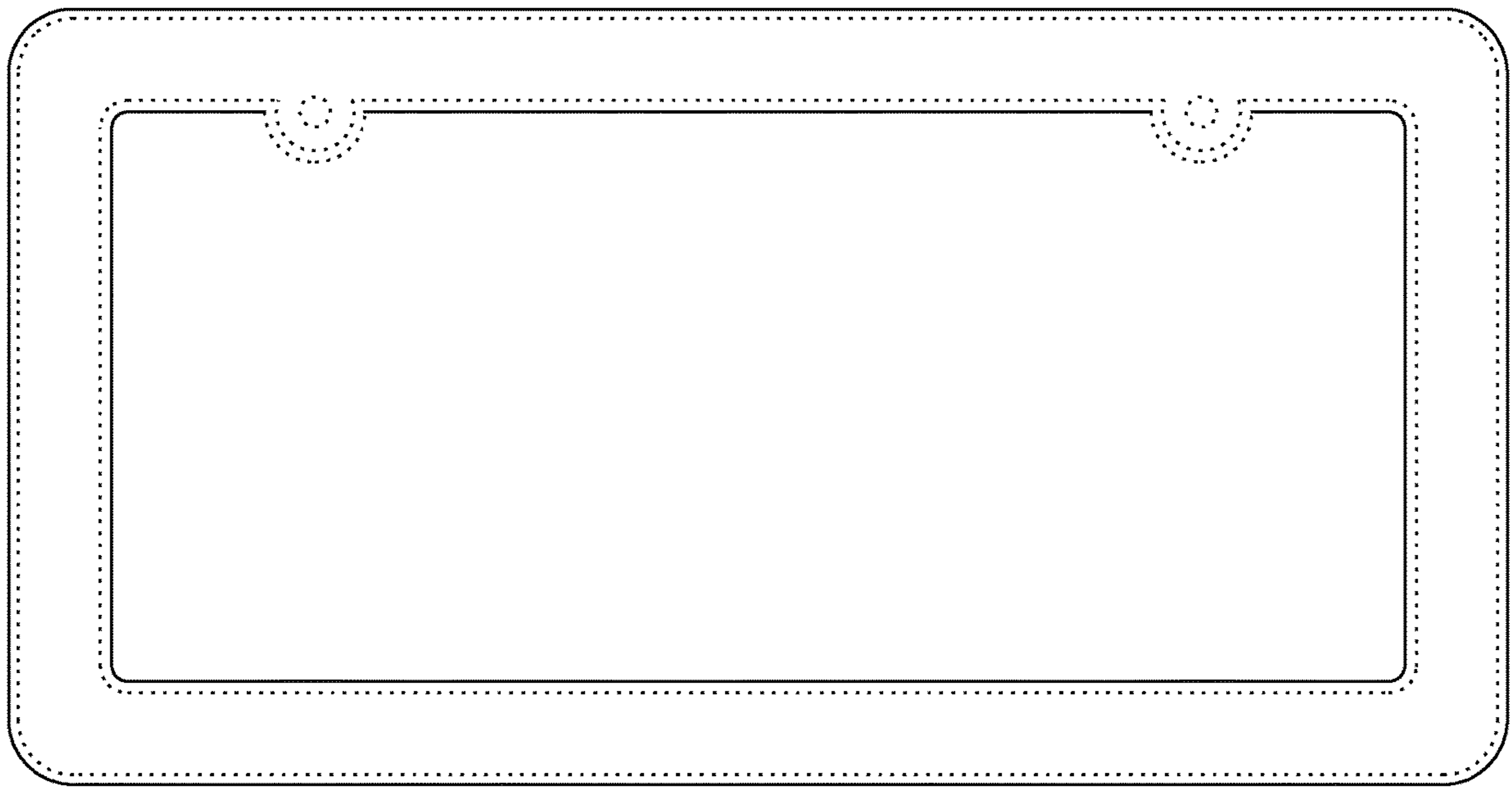


FIG. 3

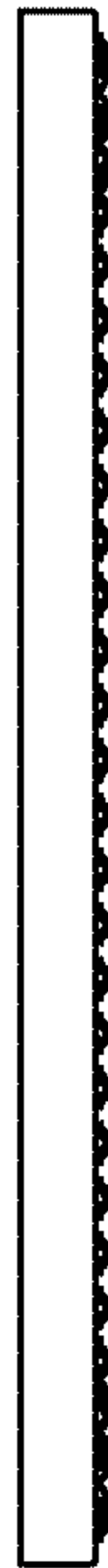


FIG. 4



FIG. 5



FIG. 6



FIG. 7

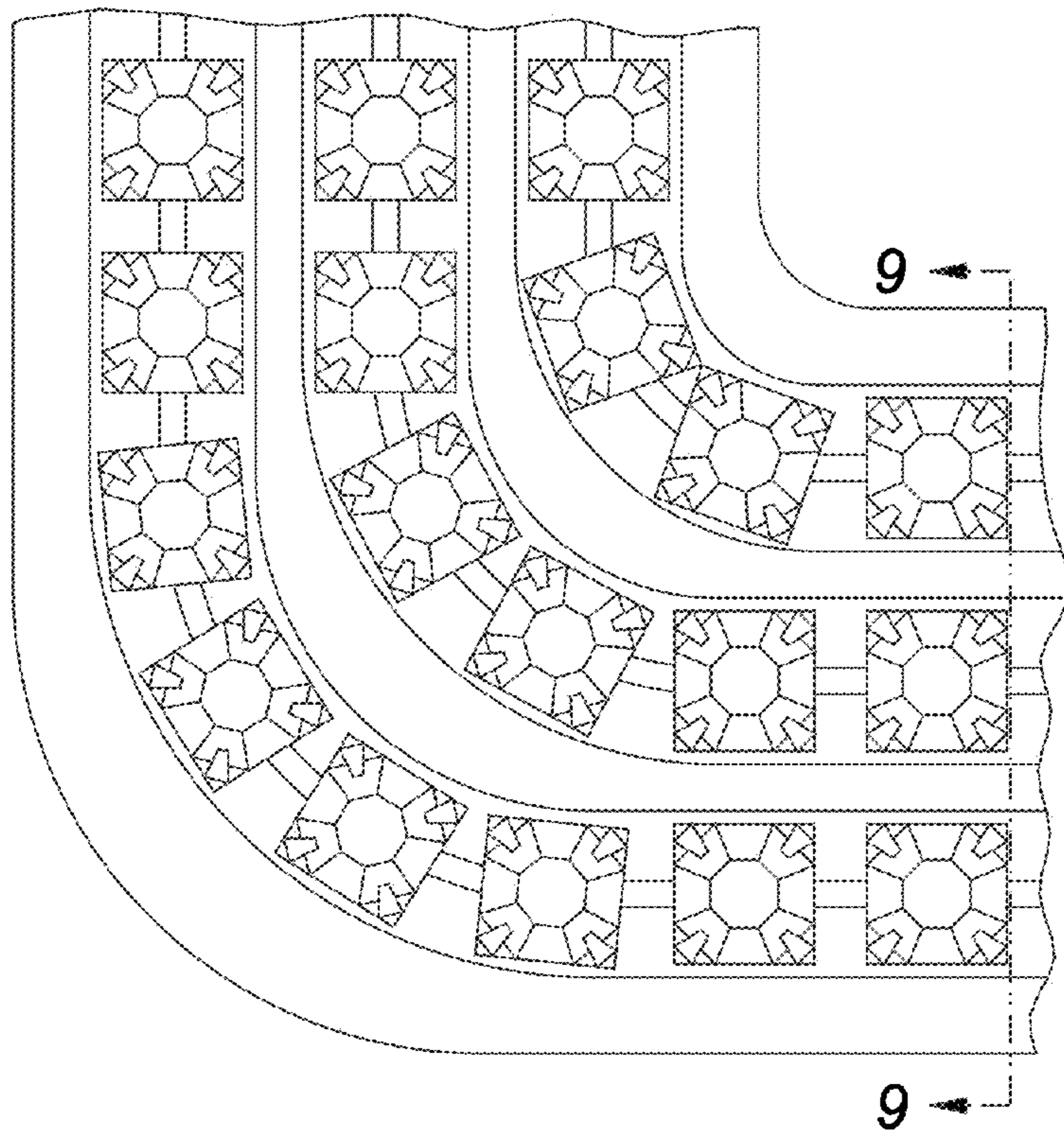


FIG. 8

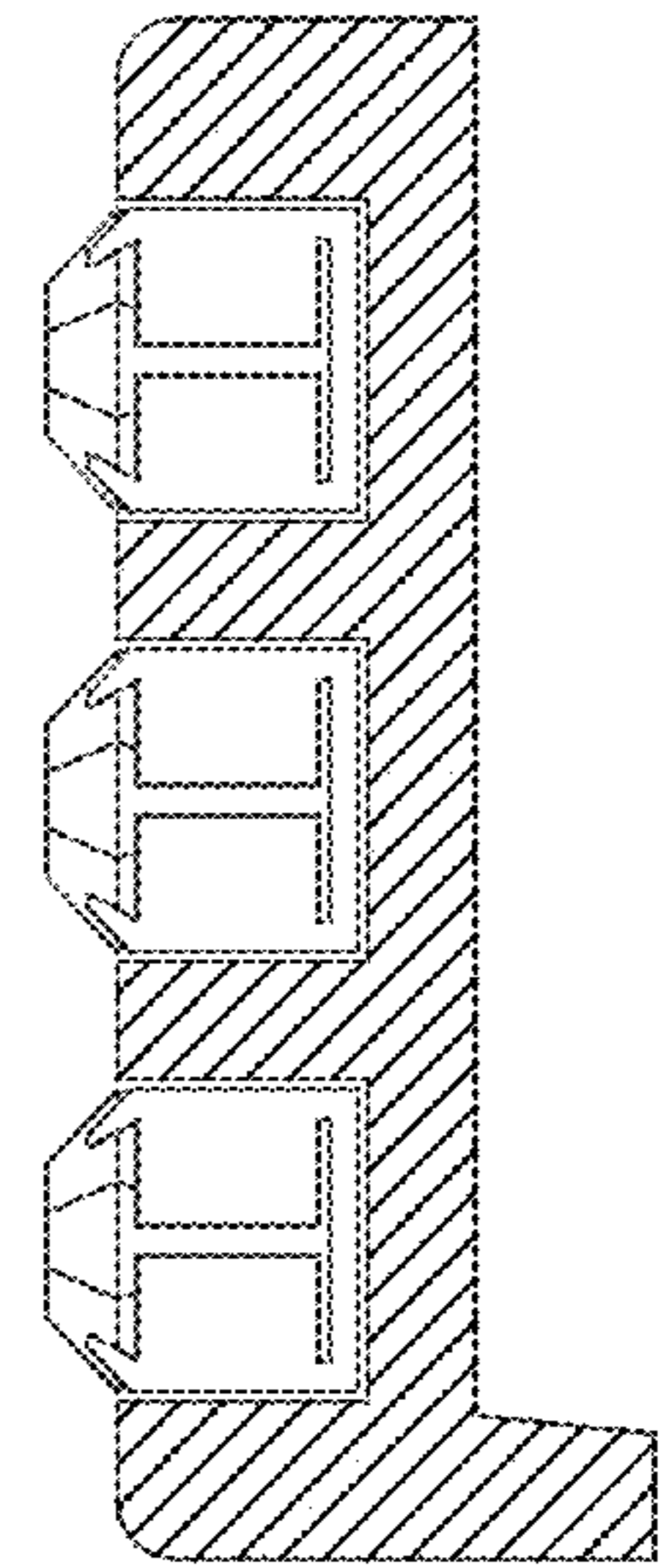


FIG. 9

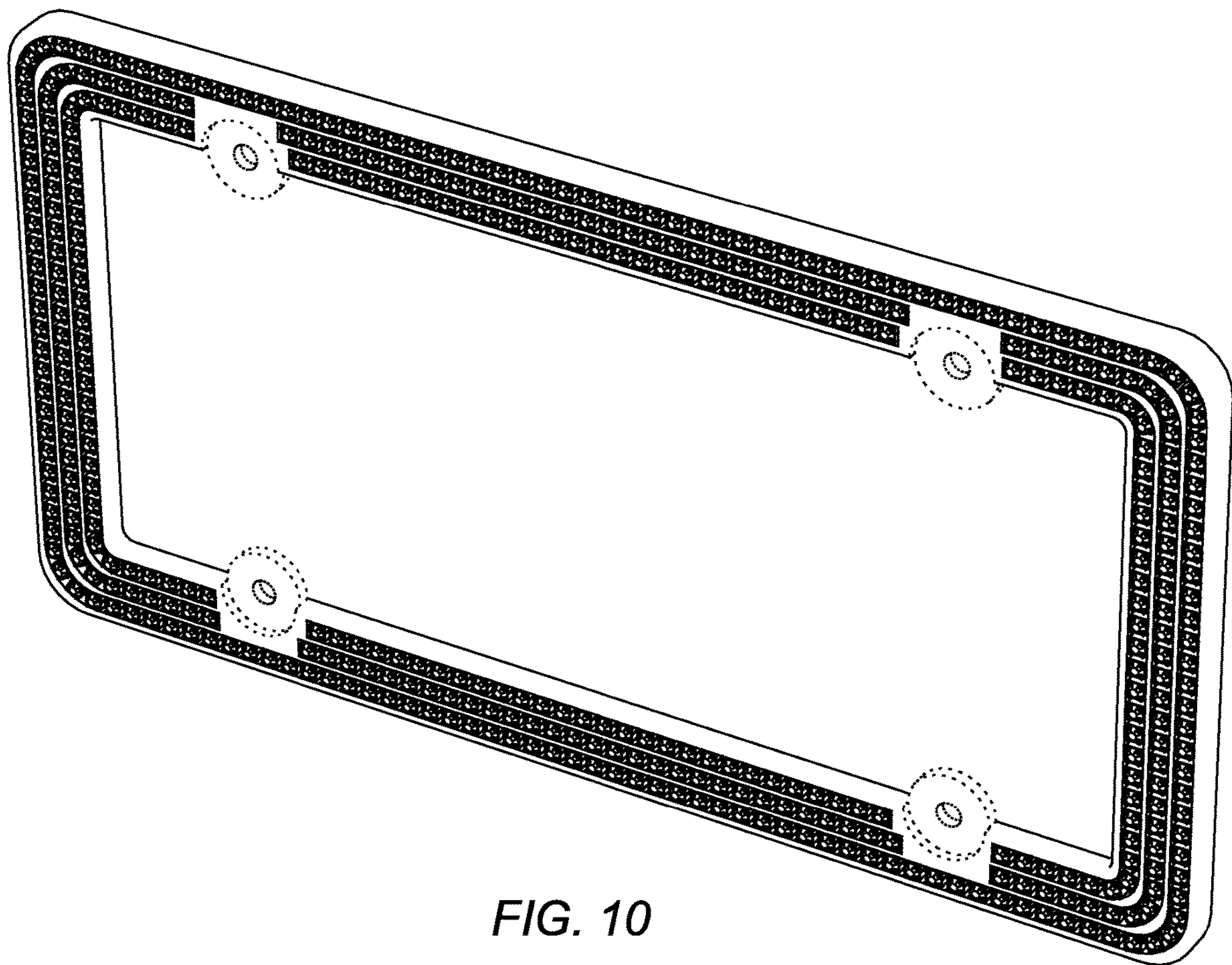


FIG. 10

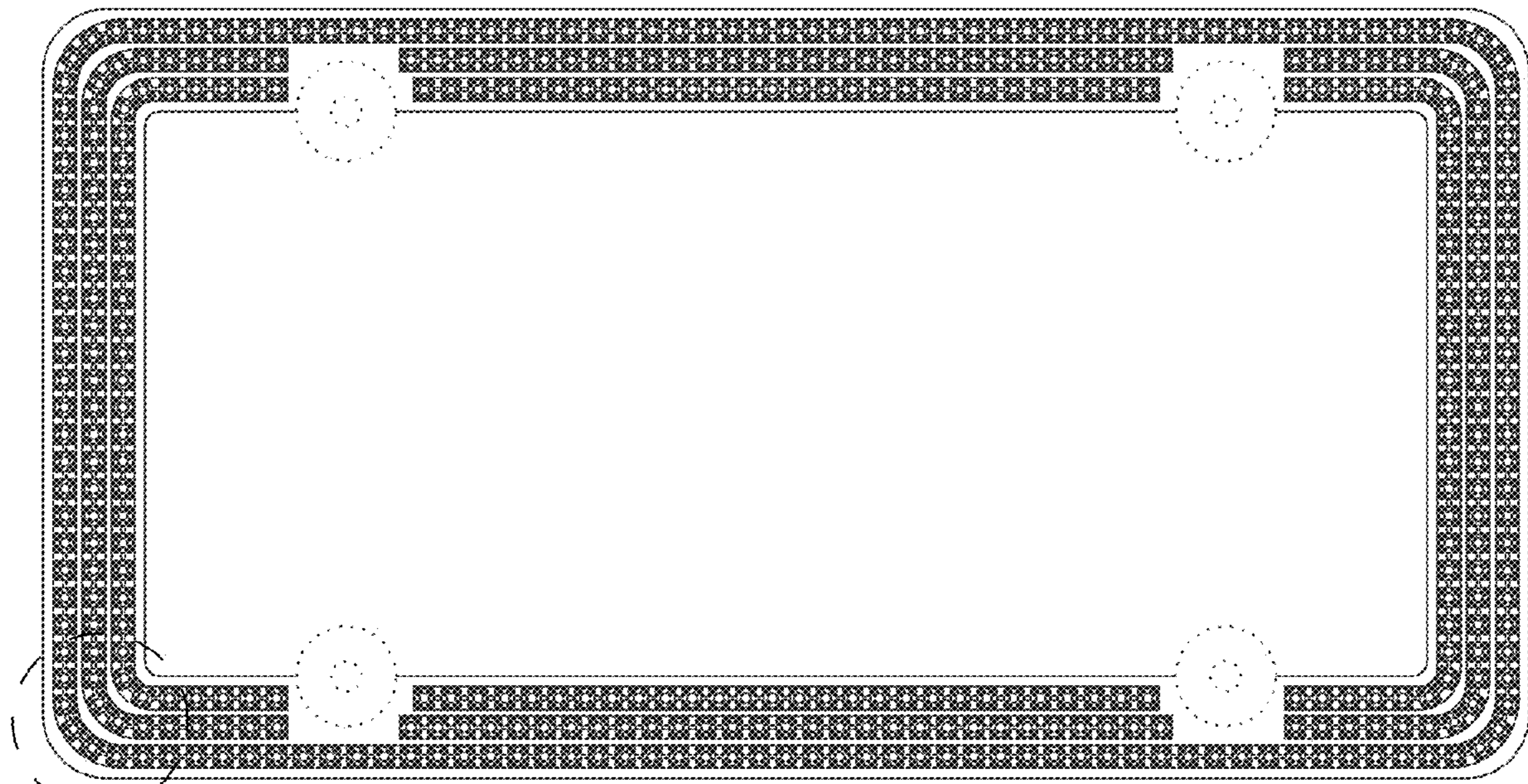


FIG. 11

SEE FIGURE 8

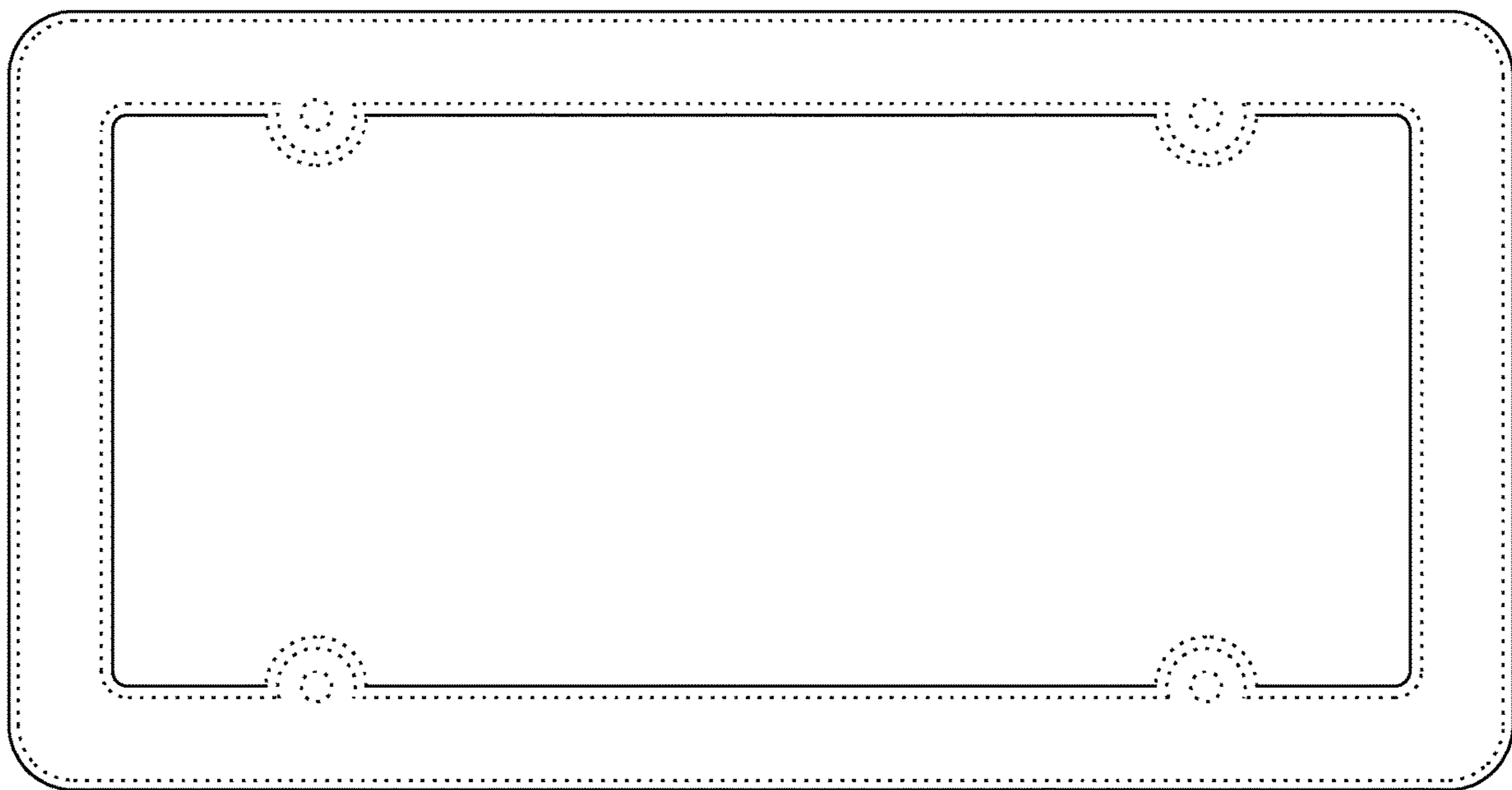


FIG. 12



FIG. 13



FIG. 14



FIG. 15



FIG. 16