



US00D892688S

(12) **United States Design Patent** (10) **Patent No.:** **US D892,688 S**  
**Oh et al.** (45) **Date of Patent:** **\*\* Aug. 11, 2020**

(54) **FRONT BUMPER FOR AN AUTOMOBILE**  
(71) Applicants: **Kia Motors Corporation**, Seoul (KR);  
**Hyundai Motor Company**, Seoul (KR)  
(72) Inventors: **Yun Seok Oh**, Ansan-si (KR); **Sang Woo Kim**, Seoul (KR)  
(73) Assignees: **Hyundai Motor Company**, Seoul (KR); **Kia Motors Corporation**, Seoul (KR)

(\*\*) Term: **15 Years**

(21) Appl. No.: **35/507,136**

(22) Filed: **Jan. 22, 2019**

(80) **Hague Agreement Data**

Int. Filing Date: **Jan. 22, 2019**  
Int. Reg. No.: **DM/201058**  
Int. Reg. Date: **Jan. 22, 2019**  
Int. Reg. Pub. Date: **Aug. 2, 2019**

(30) **Foreign Application Priority Data**

Aug. 31, 2018 (KR) ..... 30-2018-0040620

(51) **LOC (12) Cl.** ..... **12-16**

(52) **U.S. Cl.**  
USPC ..... **D12/169**

(58) **Field of Classification Search**  
USPC ..... D12/86-92, 163-172  
CPC ..... B60R 19/18; B60R 19/24; B60R 19/44;  
B60R 19/48; B60R 19/56; B60R  
2019/527; B60R 2019/1886; B62D  
25/0845  
See application file for complete search history.

(56) **References Cited**

**U.S. PATENT DOCUMENTS**

D749,473 S \* 2/2016 Lee ..... D12/169  
D763,146 S \* 8/2016 Tsutamori ..... D12/169

D763,746 S \* 8/2016 Tsutamori ..... D12/169  
D775,010 S \* 12/2016 Kim ..... D12/169  
9,688,227 B2 \* 6/2017 Cepollaro ..... B60R 19/50  
D793,296 S \* 8/2017 Smith ..... D12/169  
D807,256 S \* 1/2018 Piscitelli ..... D12/169  
D817,235 S \* 5/2018 Bucher ..... D12/169  
D839,152 S \* 1/2019 Horie ..... D12/169  
D839,153 S \* 1/2019 Wada ..... D12/169  
D840,298 S \* 2/2019 Smith ..... D12/169  
D847,042 S \* 4/2019 Pinazzo ..... D12/169  
D851,557 S \* 6/2019 Thurber ..... D12/169  
D854,979 S \* 7/2019 Krieg ..... D12/169  
D855,511 S \* 8/2019 Smith ..... D12/169  
D856,209 S \* 8/2019 Dewitt ..... D12/169  
D856,864 S \* 8/2019 Kapitonov ..... D12/169  
D870,614 S \* 12/2019 Ea ..... D12/170  
D871,282 S \* 12/2019 Lee ..... D12/169  
D875,624 S \* 2/2020 Tanghe ..... D12/169  
D877,002 S \* 3/2020 Izard ..... D12/169  
2009/0243340 A1 \* 10/2009 Goldsberry ..... B60R 19/50  
296/191

\* cited by examiner

*Primary Examiner* — Darlington Ly

(74) *Attorney, Agent, or Firm* — Mintz Levin Cohn Ferris Glosky and Popeo, P.C.; Peter F. Corless; Carolina E. Säve

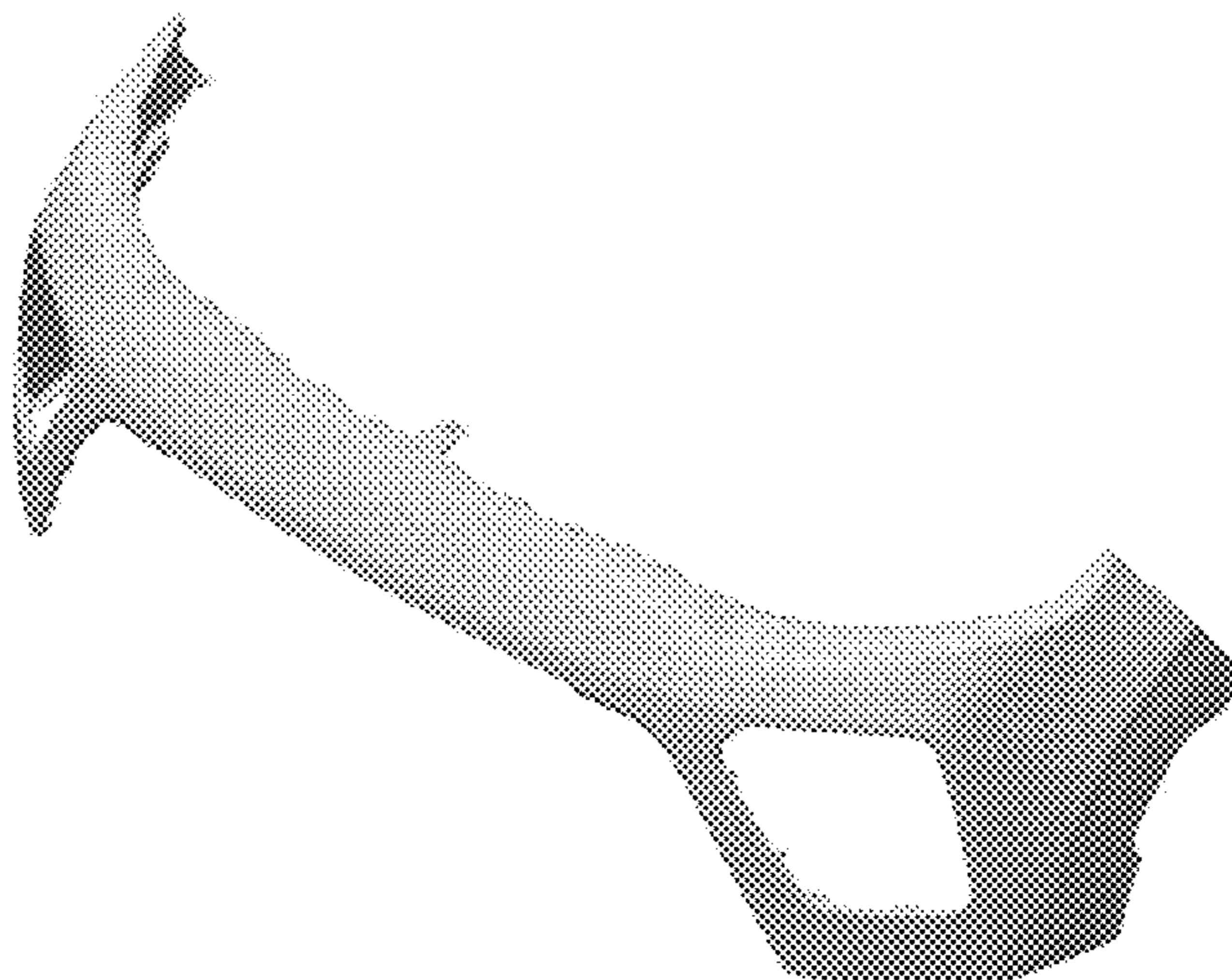
(57) **CLAIM**

The ornamental design for front bumper for an automobile, as shown and described.

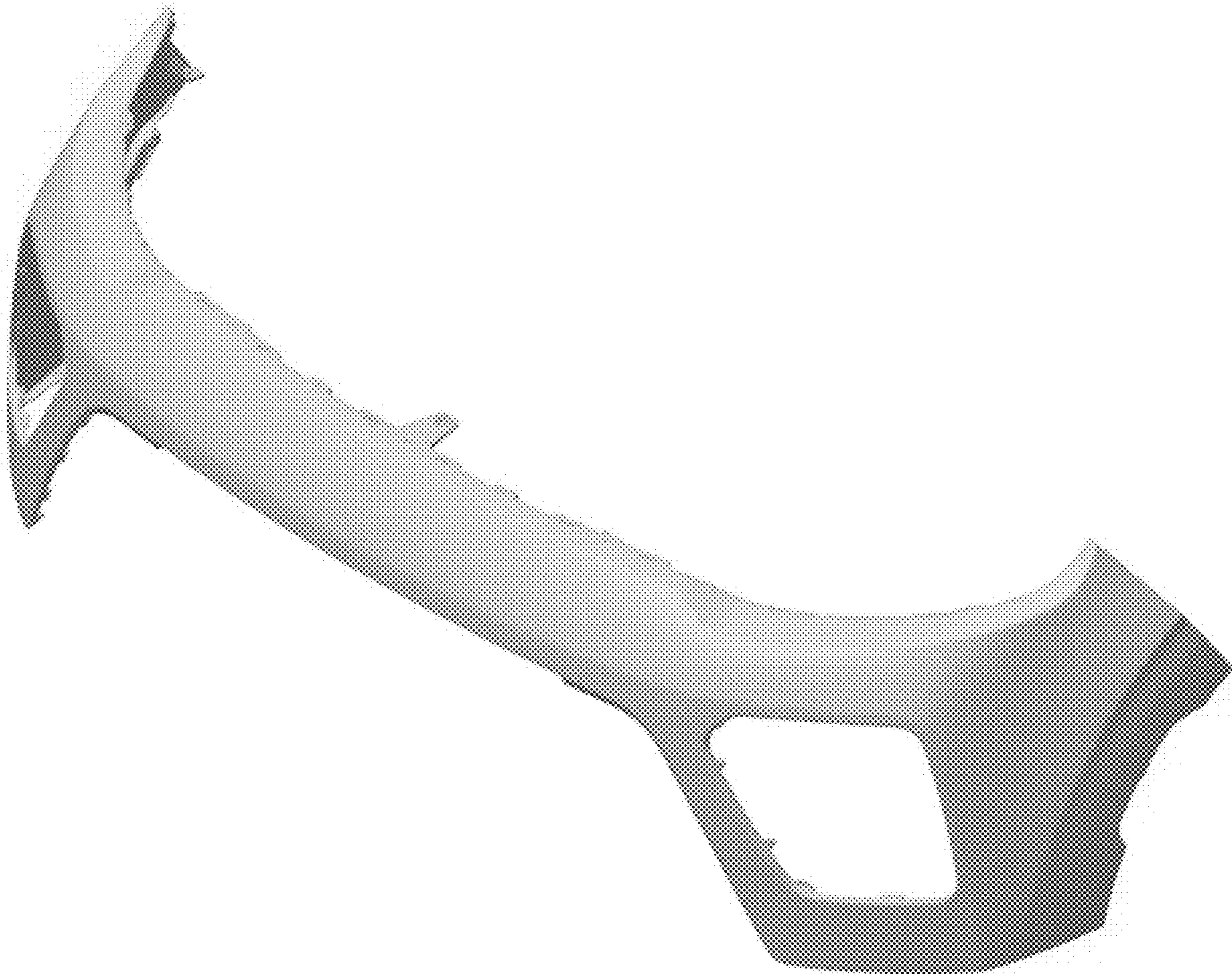
**DESCRIPTION**

1. Front bumper for an automobile  
1.1 is top, front, and left side perspective view of an front bumper for an automobile showing our new design;  
1.2 is a front elevation view thereof;  
1.3 is a rear elevation view thereof;  
1.4 is a right side elevation view thereof;  
1.5 is a left side elevation view thereof;  
1.6 is a top plan view thereof; and  
1.7 is a bottom plan view thereof.

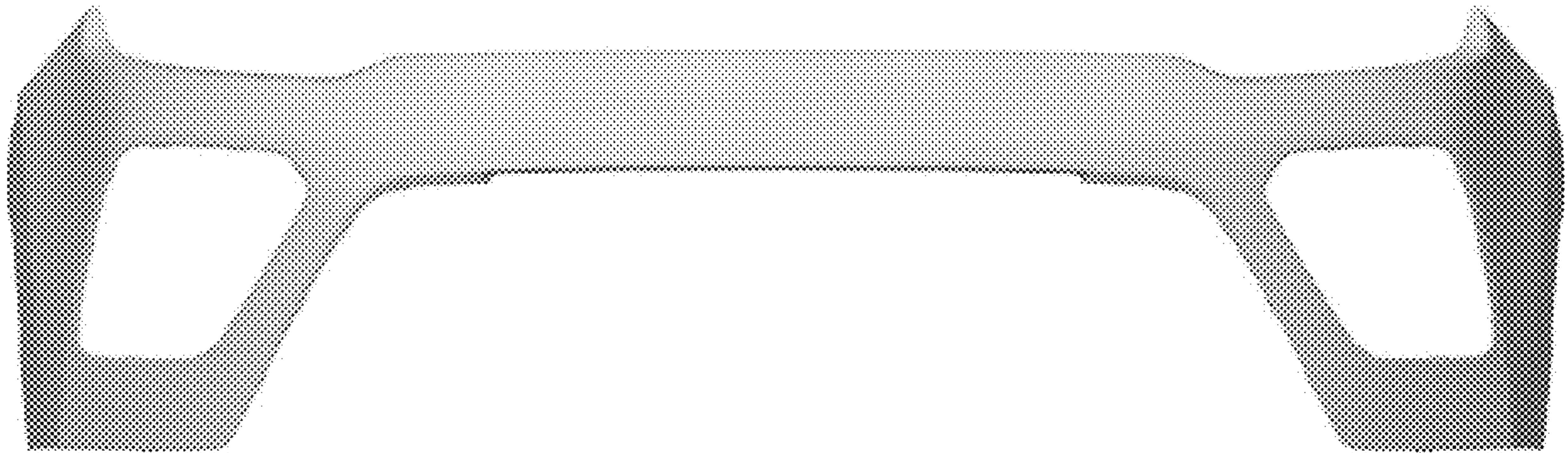
**1 Claim, 7 Drawing Sheets**



1.1



1.2

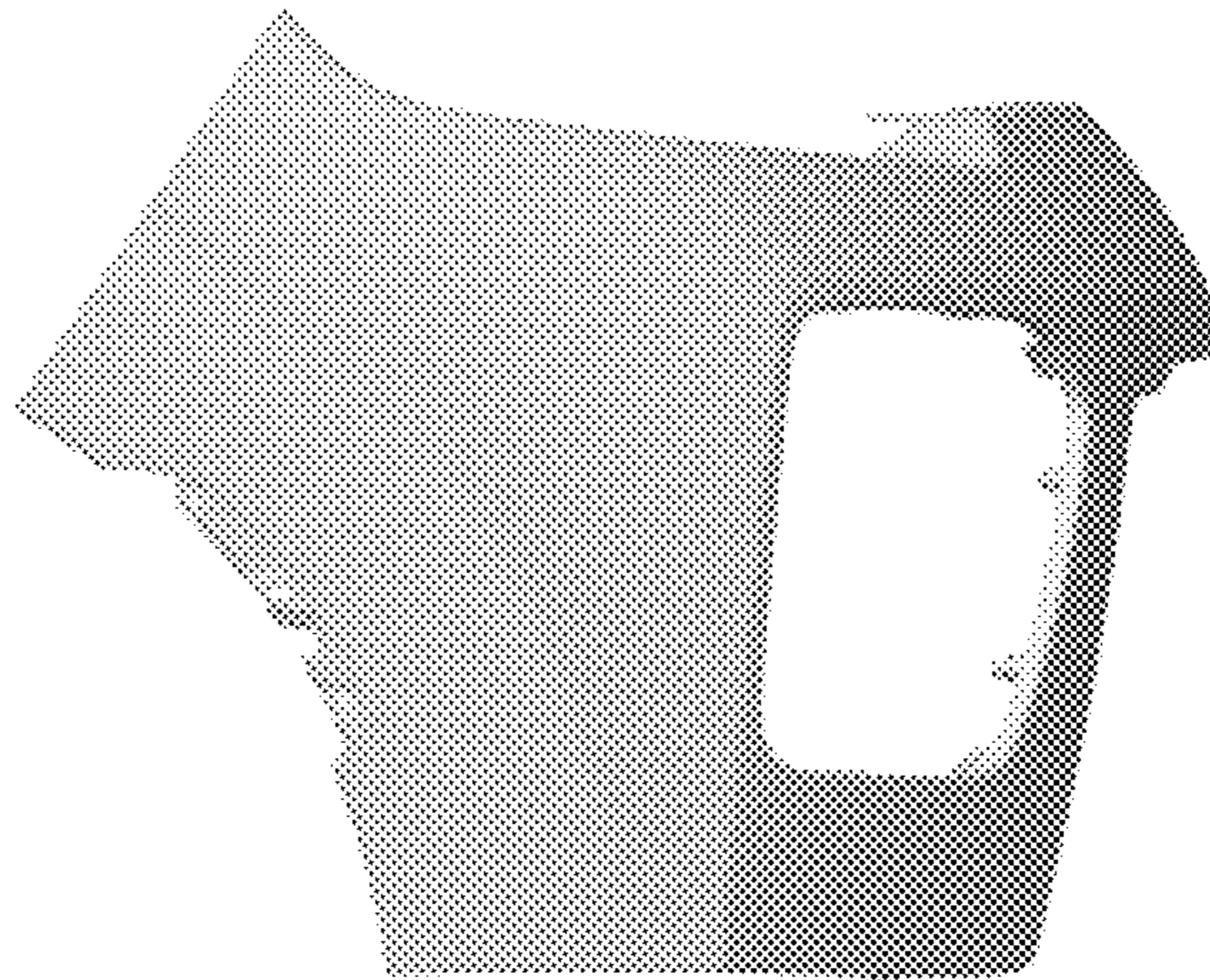




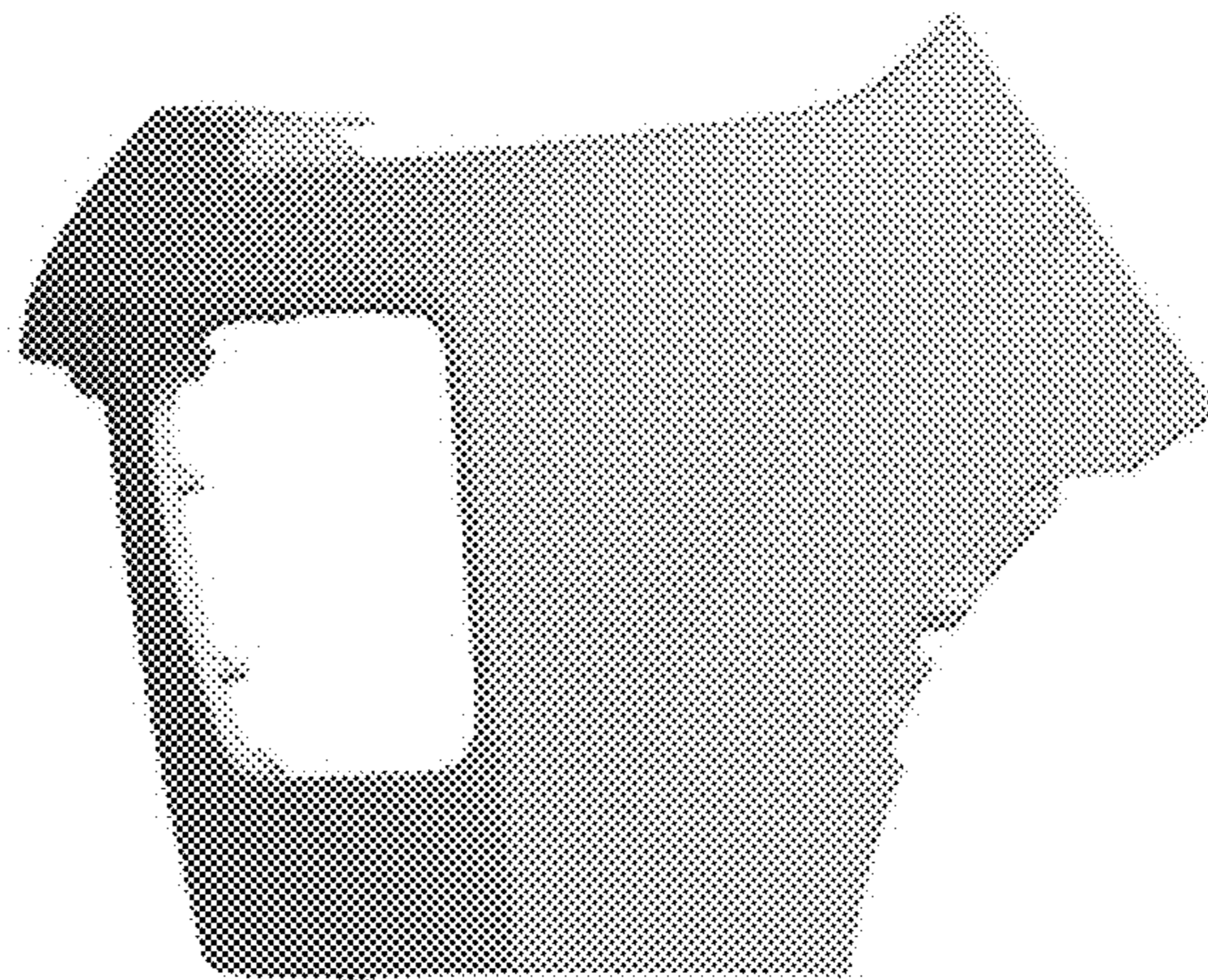
1.3



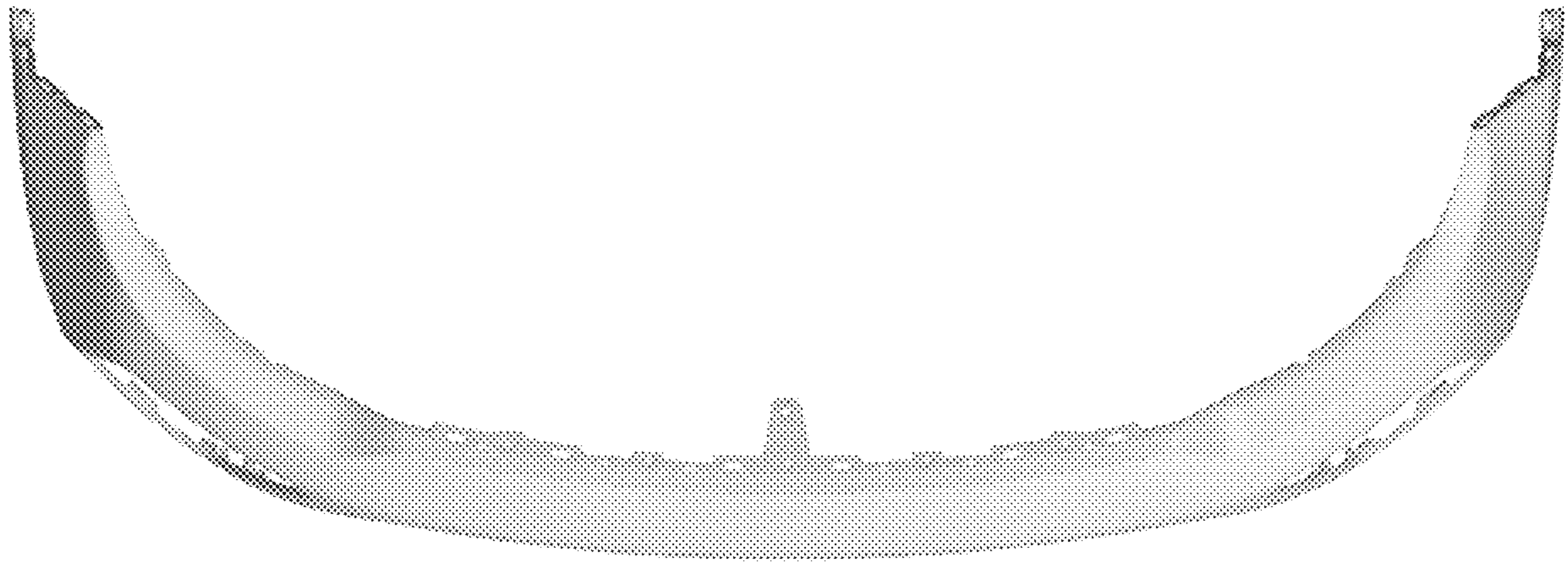
1.4



1.5



1.6



1.7

