



US00D892687S

(12) **United States Design Patent**  
**Kim et al.**

(10) **Patent No.:** **US D892,687 S**

(45) **Date of Patent:** **\*\* Aug. 11, 2020**

(54) **FRONT BUMPER FOR AN AUTOMOBILE**

(71) Applicants: **Hyundai Motor Company**, Seoul (KR); **Kia Motors Corporation**, Seoul (KR)

(72) Inventors: **Jin Yujun Kim**, Seoul (KR); **Woo Yul Baek**, Gyeongsangbuk-do (KR)

(73) Assignees: **Hyundai Motor Company**, Seoul (KR); **Kia Motors Corporation**, Seoul (KR)

(\*\*) Term: **15 Years**

(21) Appl. No.: **35/507,084**

(22) Filed: **Jan. 15, 2019**

(80) **Hague Agreement Data**

Int. Filing Date: **Jan. 15, 2019**

Int. Reg. No.: **DM/201021**

Int. Reg. Date: **Jan. 15, 2019**

Int. Reg. Pub. Date: **Jul. 19, 2019**

(51) **LOC (12) Cl.** ..... **12-16**

(52) **U.S. Cl.**  
USPC ..... **D12/169**

(58) **Field of Classification Search**  
USPC ..... D12/86-92, 163-172  
CPC ..... B60R 19/18; B60R 19/24; B60R 19/44;  
B60R 19/48; B60R 19/56; B60R  
2019/527; B60R 2019/1886; B62D  
25/0845

See application file for complete search history.

(56) **References Cited**

**U.S. PATENT DOCUMENTS**

D614,547 S \* 4/2010 Schell ..... D12/163  
D614,548 S \* 4/2010 Oya ..... D12/169  
D617,700 S \* 6/2010 Nishio ..... D12/169

D624,470 S \* 9/2010 Takahashi ..... D12/169  
D626,472 S \* 11/2010 Loeb ..... D12/169  
D626,473 S \* 11/2010 Mueller ..... D12/169  
D627,278 S \* 11/2010 Komuro ..... D12/169  
D629,341 S \* 12/2010 Choi ..... D12/169  
D745,837 S \* 12/2015 Smith ..... D12/169  
D775,010 S \* 12/2016 Kim ..... D12/169  
D792,292 S \* 7/2017 Spencer ..... D12/169  
D800,615 S \* 10/2017 Park ..... D12/169  
D801,886 S \* 11/2017 Toriyama ..... D12/169  
D829,619 S \* 10/2018 Kim ..... D12/169  
D829,620 S \* 10/2018 Lim ..... D12/169  
D843,899 S \* 3/2019 Nakajima ..... D12/169  
D860,886 S \* 9/2019 Hong ..... D12/169  
D862,316 S \* 10/2019 Melikian ..... D12/169  
D865,588 S \* 11/2019 Hong ..... D12/169  
D870,610 S \* 12/2019 Tonello ..... D12/169  
2008/0079271 A1 \* 4/2008 Maruko ..... B60R 19/52  
293/102  
2009/0243340 A1 \* 10/2009 Goldsberry ..... B60R 19/50  
296/191

\* cited by examiner

*Primary Examiner* — Darlington Ly

(74) *Attorney, Agent, or Firm* — Mintz Levin Cohn Ferris  
Glovsky and Popeo, P.C.; Peter F. Corless; Carolina E.  
Säve

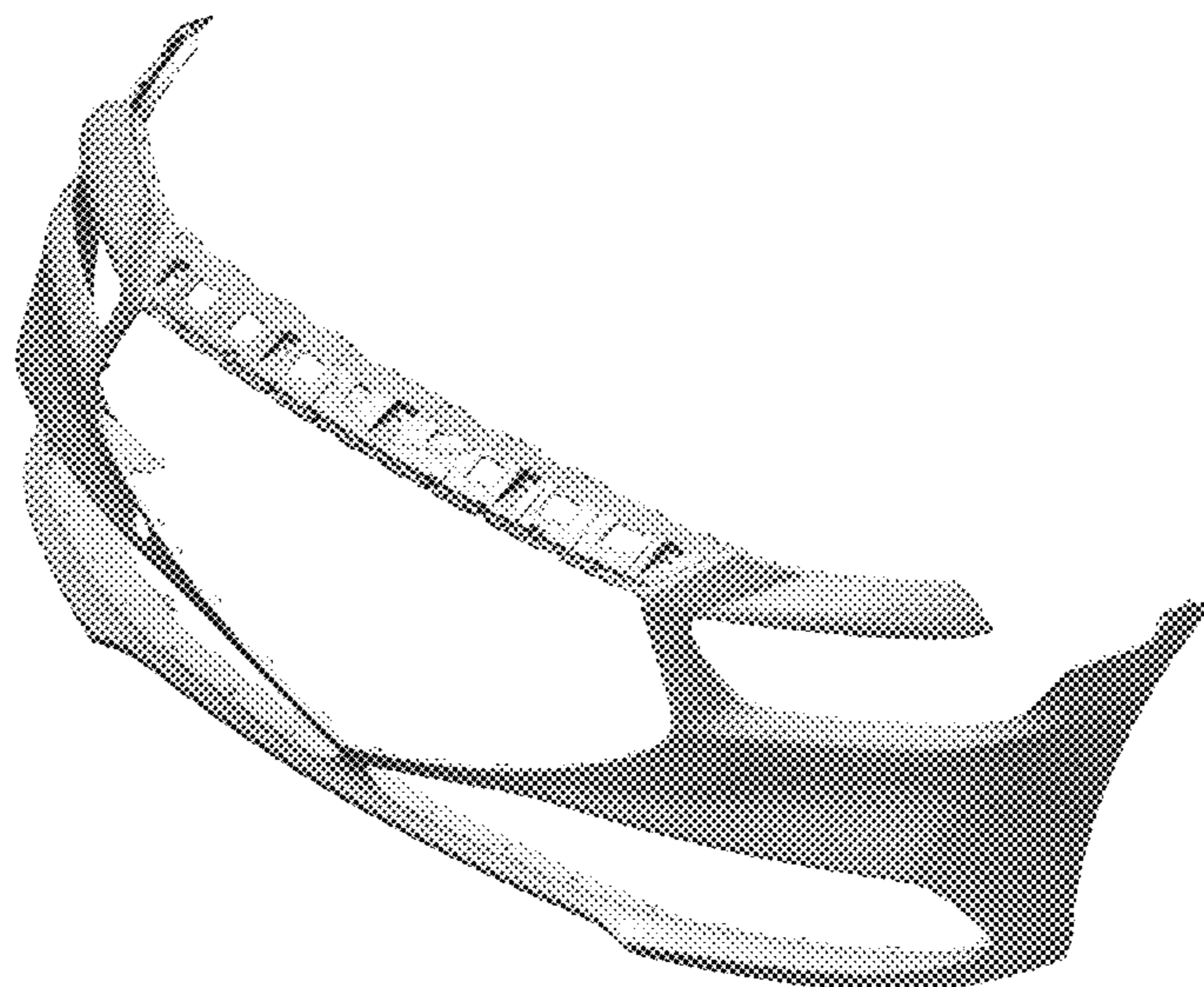
(57) **CLAIM**

The ornamental design for a front bumper for an automobile,  
as shown and described.

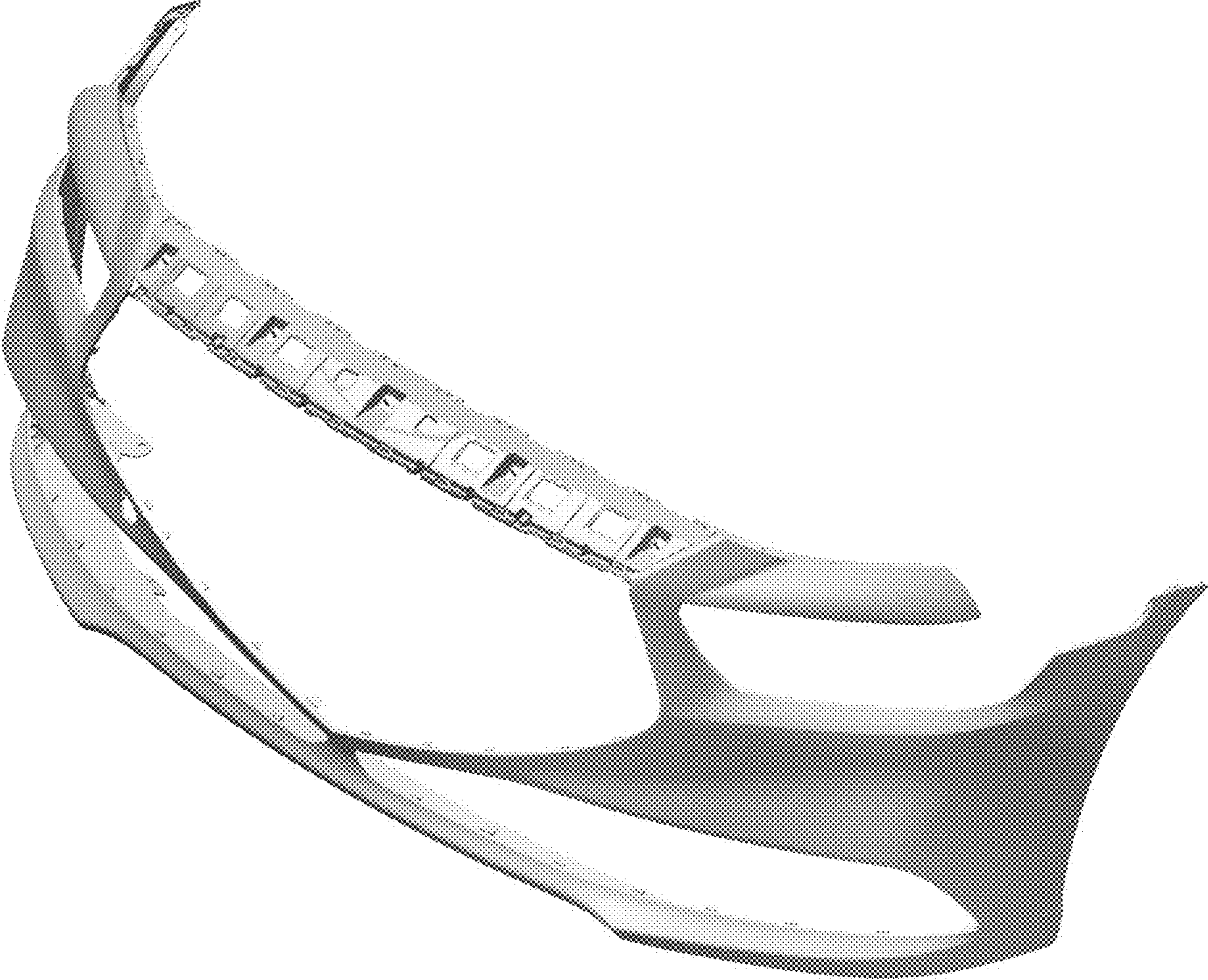
**DESCRIPTION**

1. Front bumper for an automobile  
1.1 is a top, front, and left side perspective view of an front  
bumper for an automobile showing our new design;  
1.2 is a front elevation view thereof;  
1.3 is a rear elevation view thereof;  
1.4 is a right side elevation view thereof;  
1.5 is a left side elevation view thereof;  
1.6 is a top plan view thereof; and  
1.7 is a bottom plan view thereof.

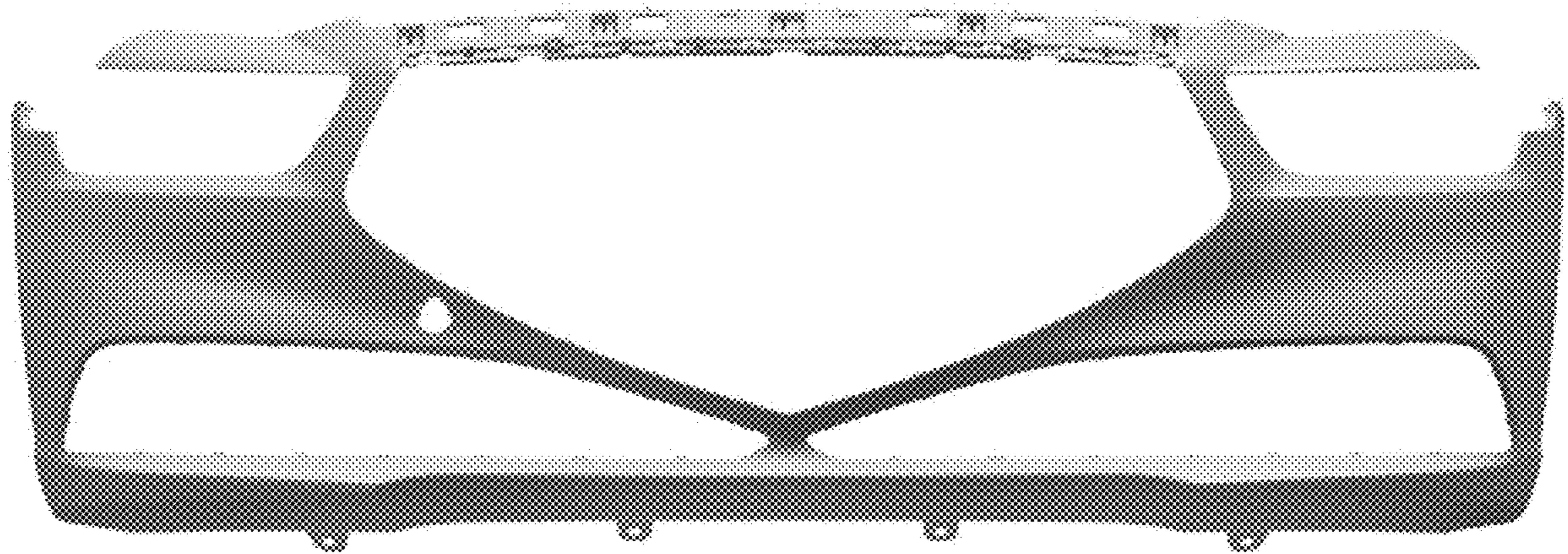
**1 Claim, 7 Drawing Sheets**



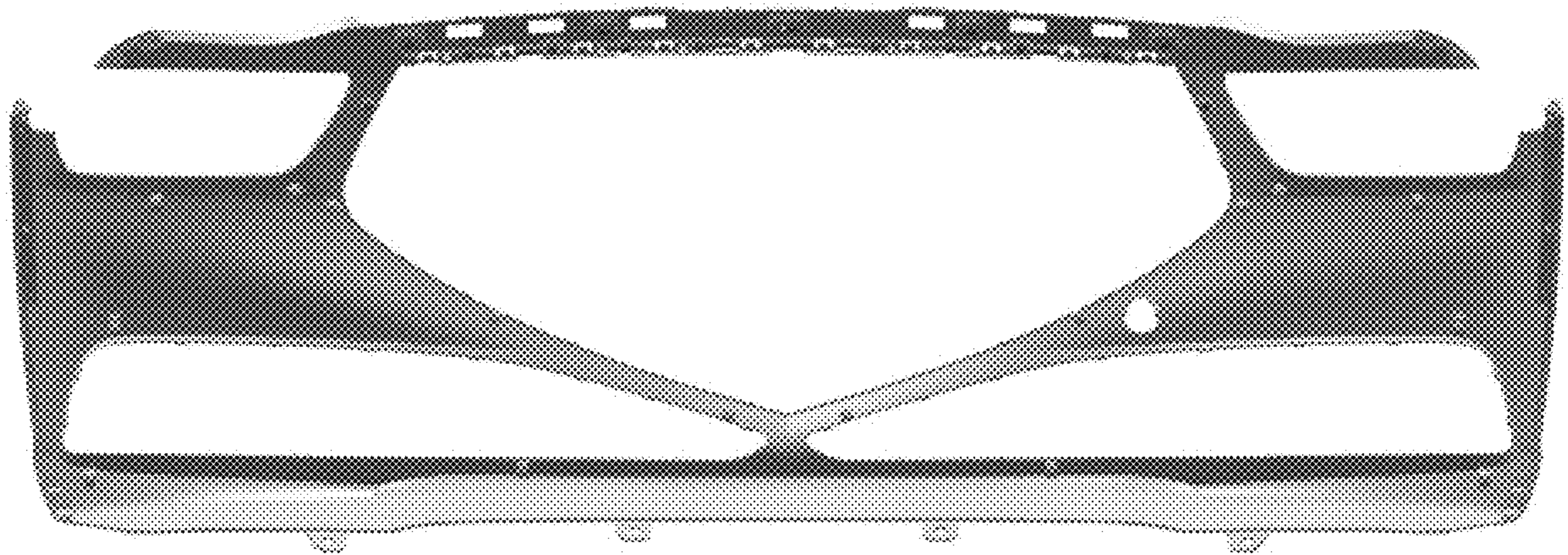
1.1



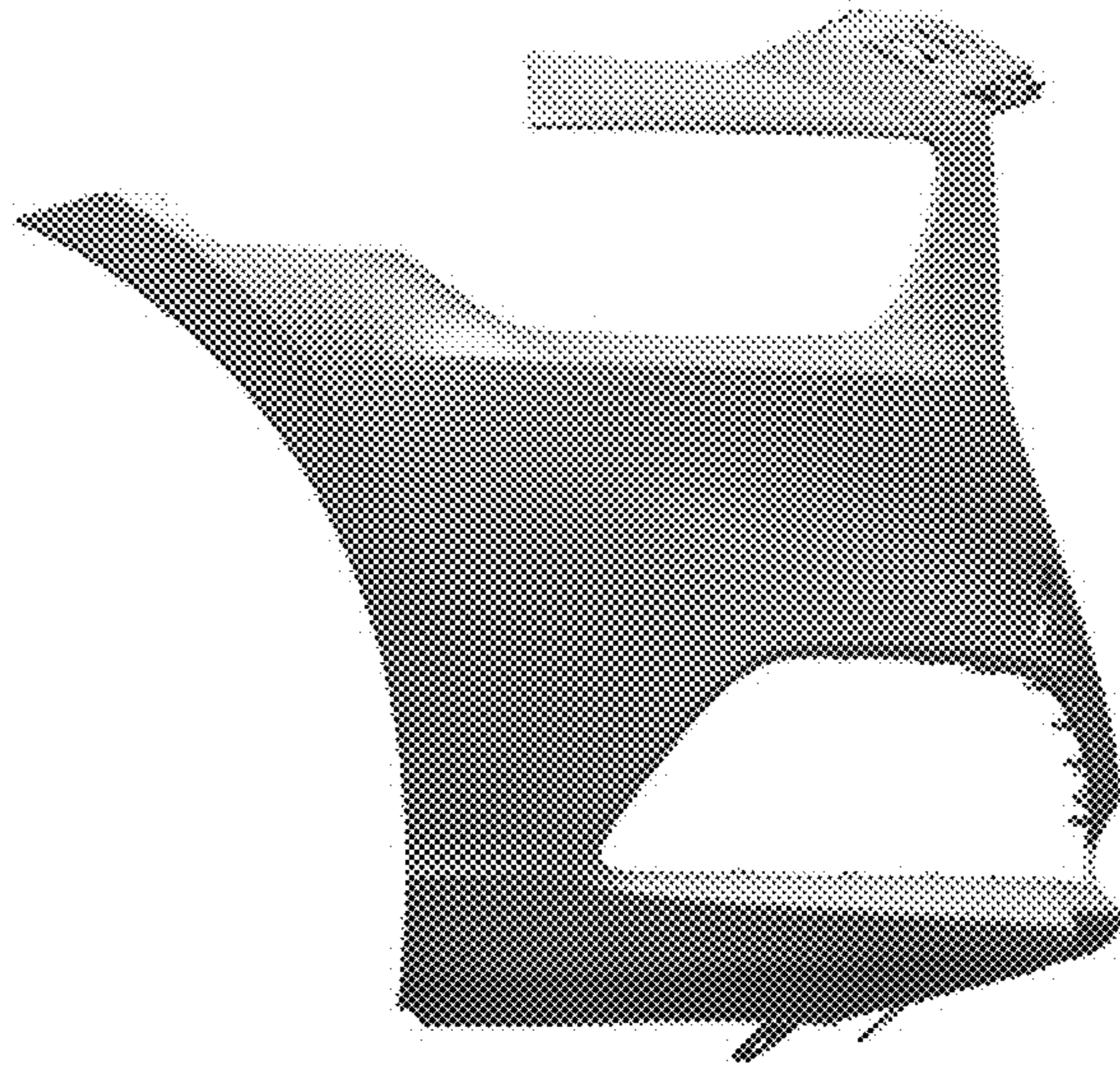
1.2



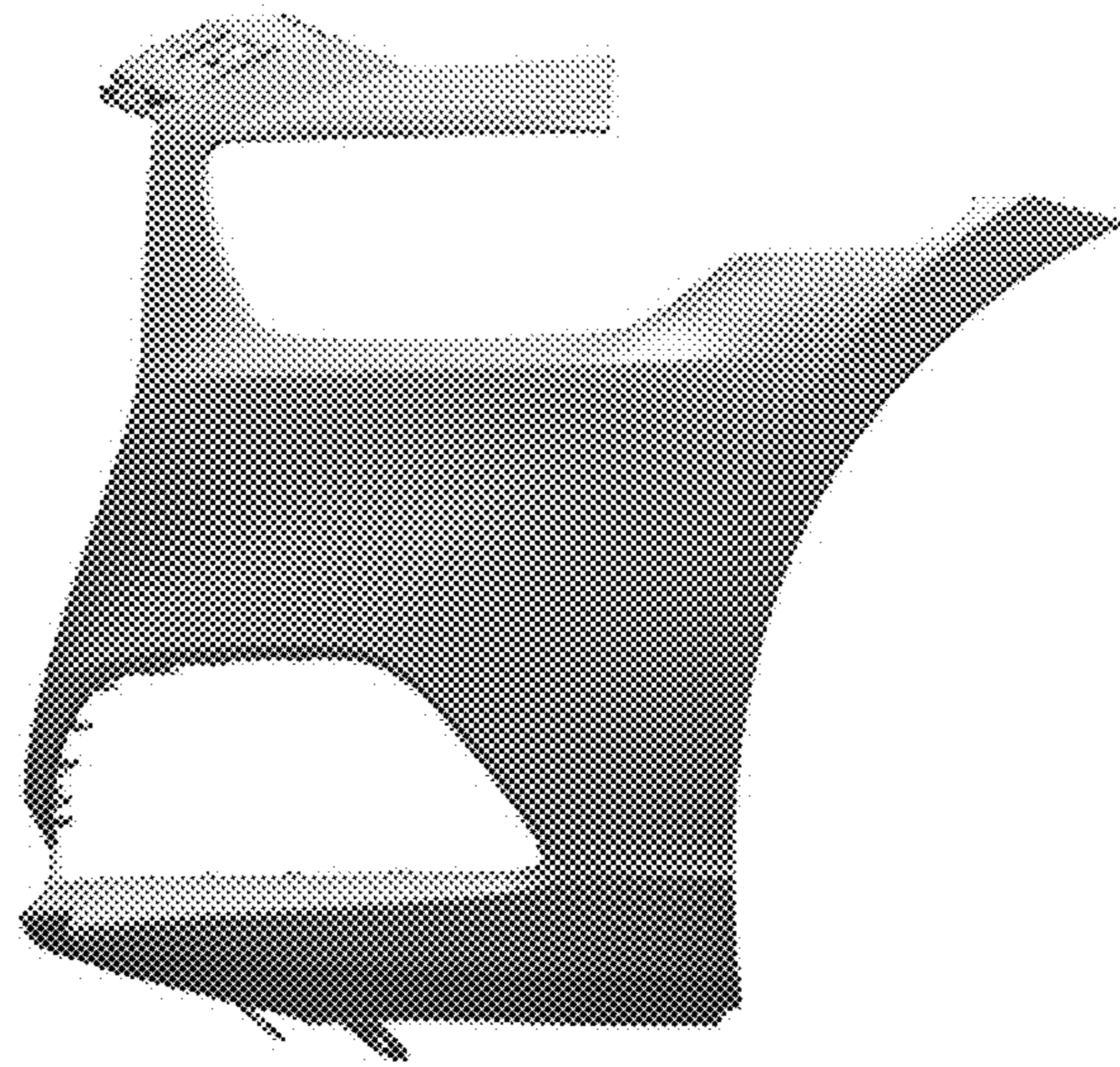
1.3



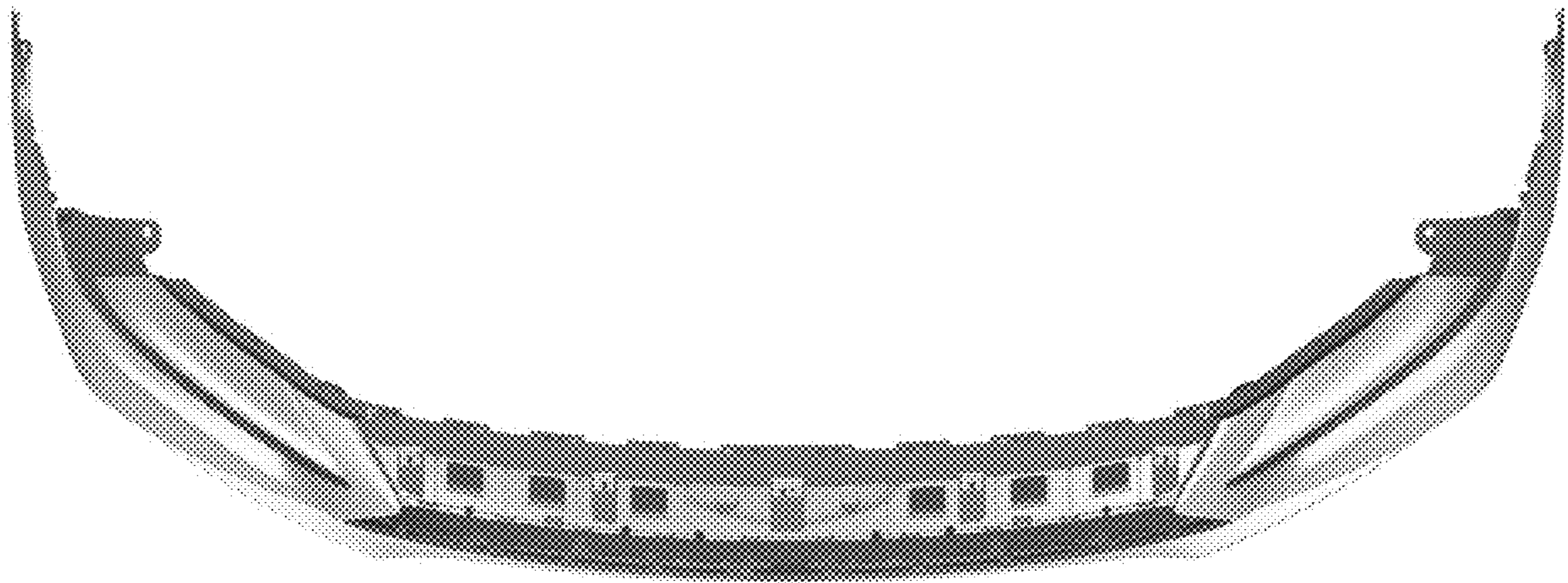
1.4



1.5



1.6



1.7

