



US00D892686S

(12) **United States Design Patent** (10) **Patent No.:** **US D892,686 S**
Dewitt et al. (45) **Date of Patent:** **** Aug. 11, 2020**

(54) **VEHICLE REAR BUMPER COVER**

(71) Applicant: **Ford Global Technologies, LLC**,
Dearborn, MI (US)

(72) Inventors: **David Dewitt**, Docklands (AU); **Todd Willing**, East Melbourne (AU); **Max Wolff**, Birmingham, MI (US); **Pedro Guarinon**, Melbourne (AU)

(73) Assignee: **Ford Global Technologies, LLC**,
Dearborn, MI (US)

(**) Term: **15 Years**

(21) Appl. No.: **29/716,521**

(22) Filed: **Dec. 10, 2019**

Related U.S. Application Data

(62) Division of application No. 29/635,007, filed on Jan. 26, 2018, now Pat. No. Des. 869,356.

(51) **LOC (12) Cl.** **12-16**

(52) **U.S. Cl.**
USPC **D12/169**

(58) **Field of Classification Search**
USPC D12/169, 196, 86, 90-92, 163, 190, 98,
D12/164; 293/102, 113, 115, 117, 120,
293/193.11; 296/180.1, 180.2; 180/68.1,
180/68.6
CPC B60R 19/52; B60K 11/08; B62D 25/08;
B62B 9/16
See application file for complete search history.

(56) **References Cited**

U.S. PATENT DOCUMENTS

D579,828 S * 11/2008 Bucher D12/163
D611,395 S * 3/2010 Krugger D12/169

D626,042 S * 10/2010 Yamazaki D12/169
D630,981 S * 1/2011 Rao D12/169
D760,121 S * 6/2016 Sato D12/98
D763,738 S * 8/2016 Dewitt D12/98
D764,980 S * 8/2016 Platto D12/98
D775,551 S * 1/2017 Platto D12/98
D789,848 S * 6/2017 Platto D12/169
D809,428 S * 2/2018 Platto D12/98
D809,429 S * 2/2018 Platto D12/98
D811,965 S * 3/2018 Moffett D12/169
D869,356 S * 12/2019 Dewitt D12/169

* cited by examiner

Primary Examiner — Melody N Brown

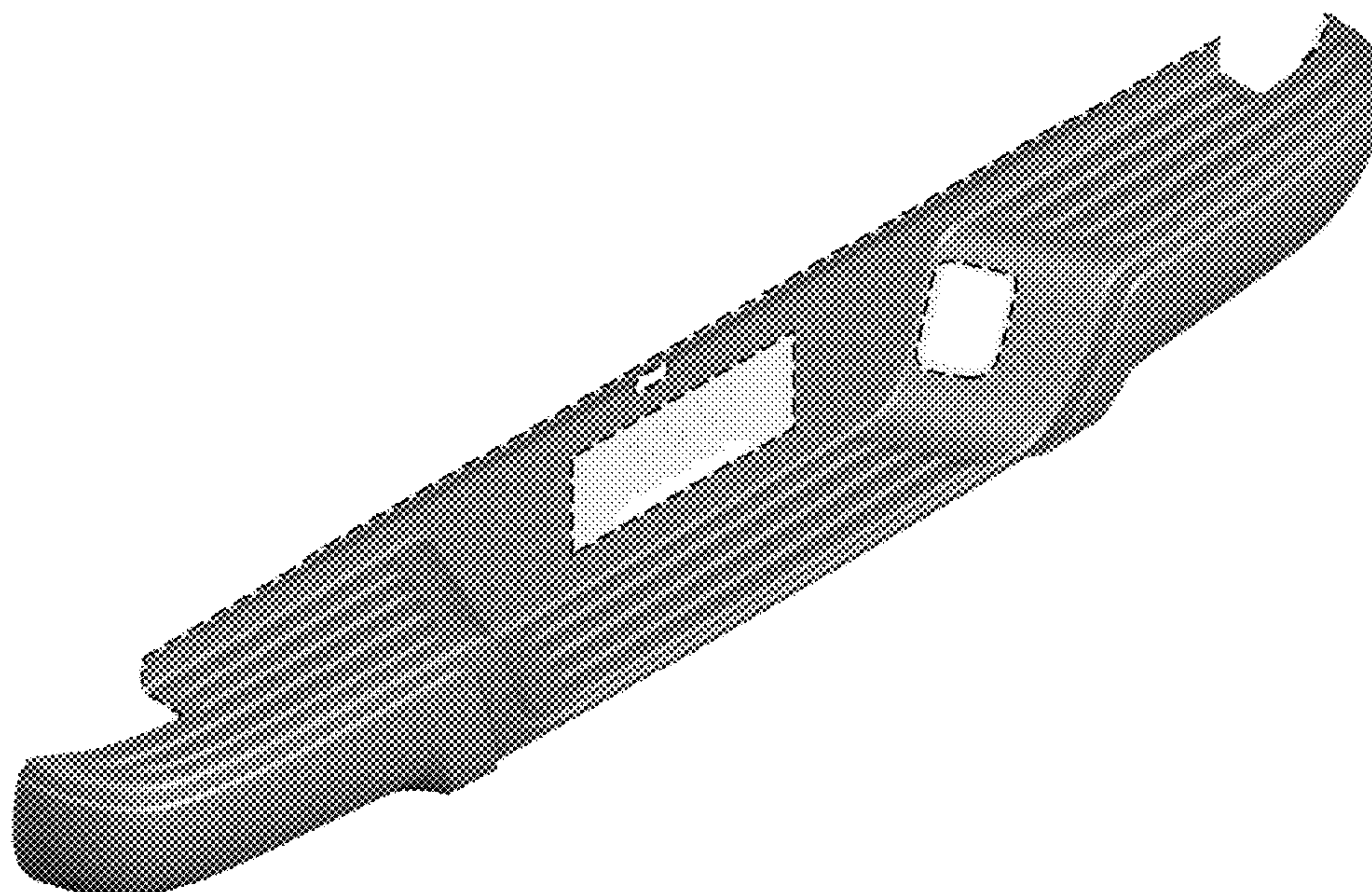
(57) **CLAIM**

The ornamental design for a vehicle rear bumper cover, as shown and described.

DESCRIPTION

FIG. 1 is a front elevational view of a vehicle rear bumper cover, showing our new design;
FIG. 2 is a left side elevational view thereof;
FIG. 3 is a right side elevational view thereof;
FIG. 4 is a top plan view thereof;
FIG. 5 is a bottom plan view thereof;
FIG. 6 is a top, front, and left side perspective view thereof;
and,
FIG. 7 is a bottom, front, and left side perspective view thereof.
The broken lines that represent a boundary line surrounding and defining the claimed design, and all other broken lines shown throughout the drawing views are for environmental and illustrative purposes that form no part of the claimed design.

1 Claim, 7 Drawing Sheets



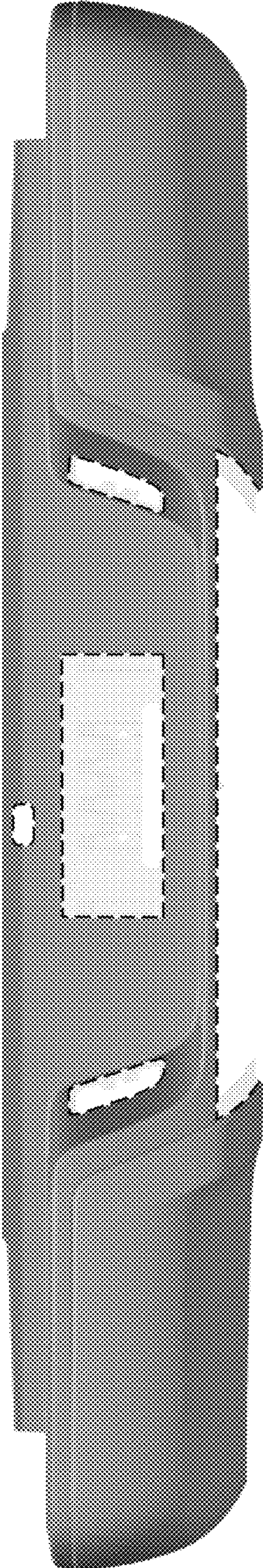


Fig. 1

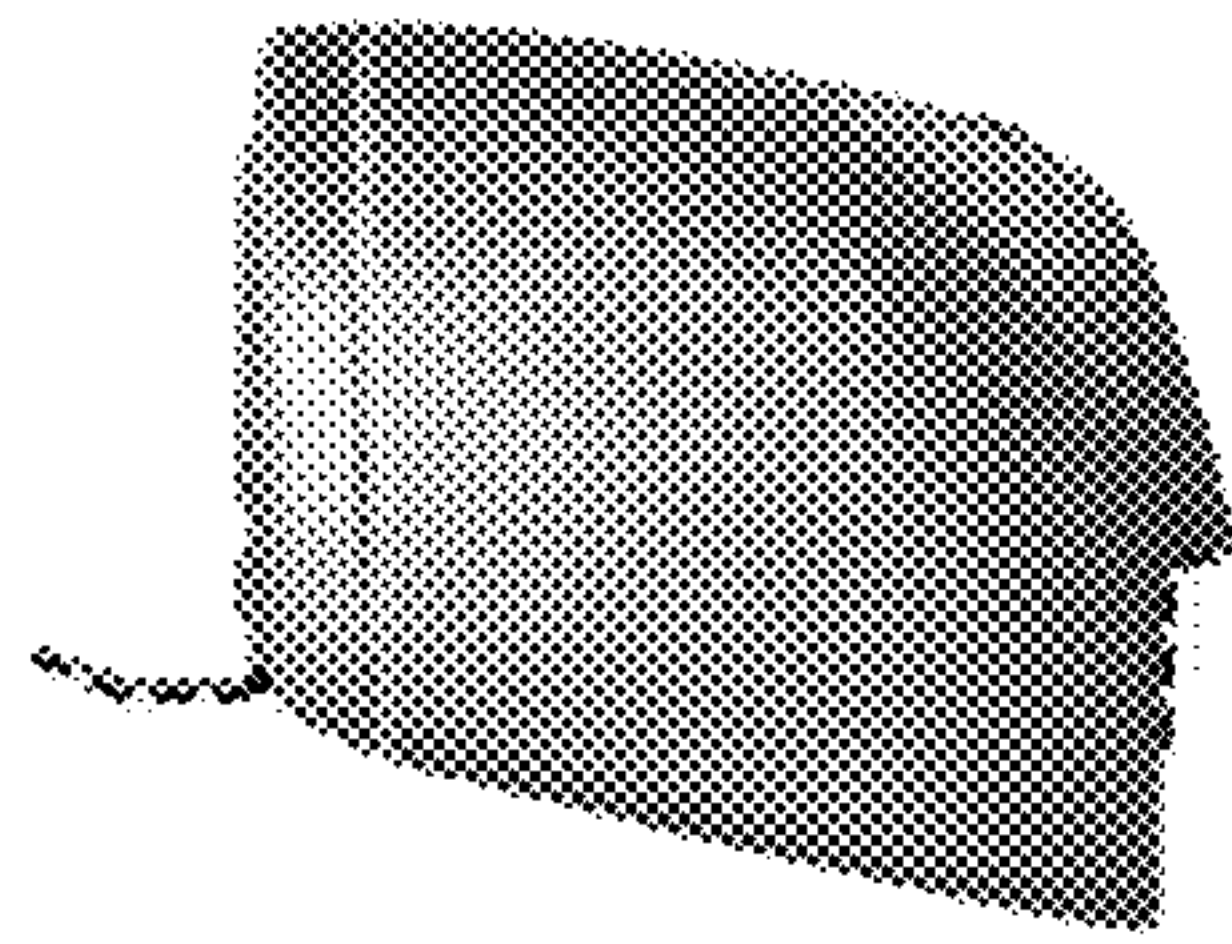


Fig. 2

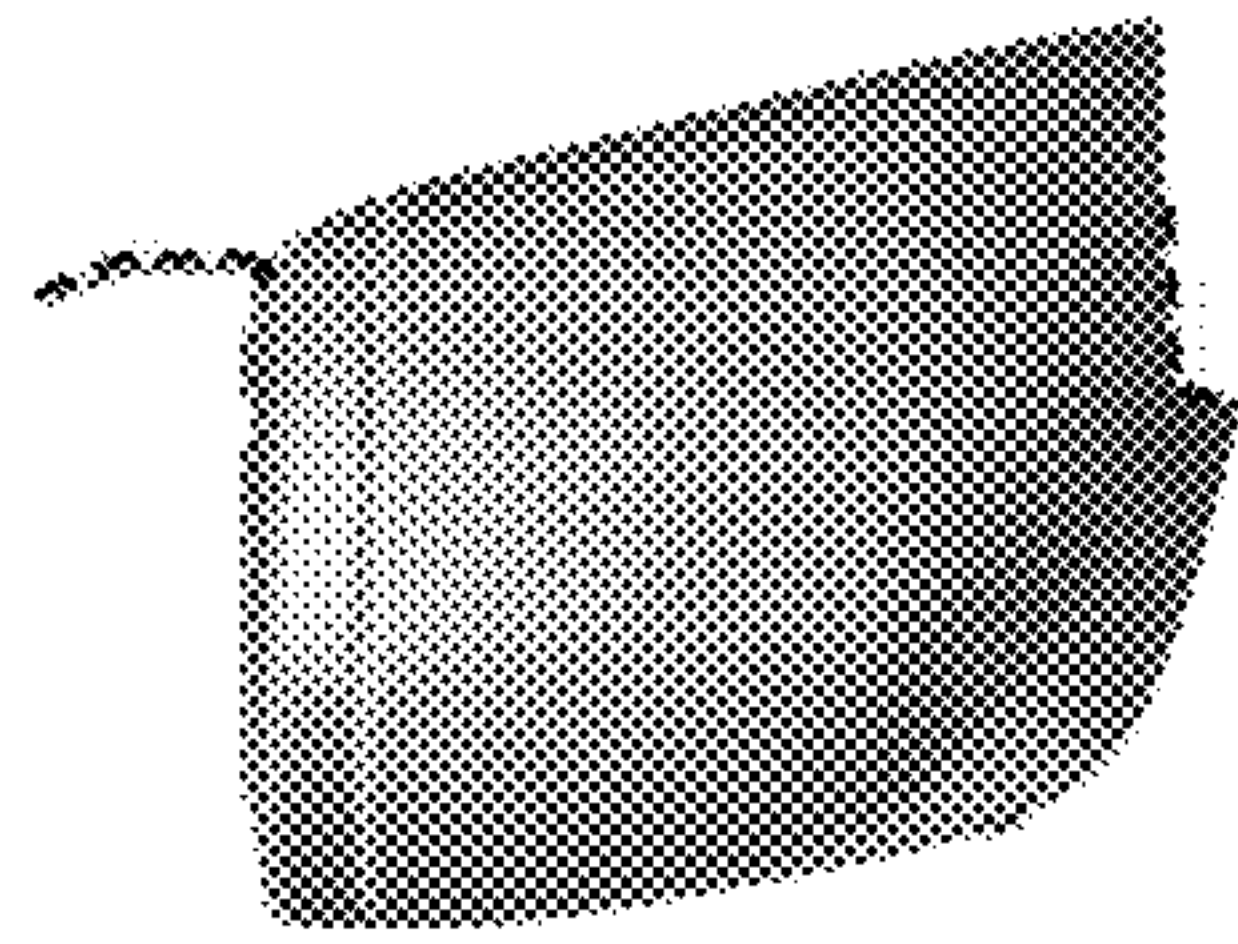


Fig. 3

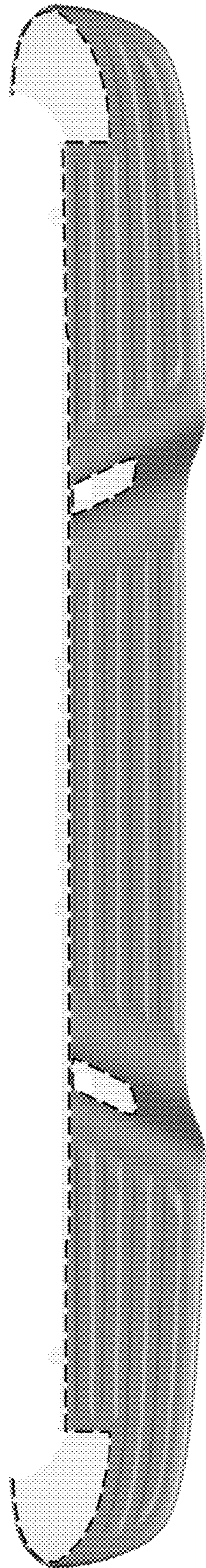
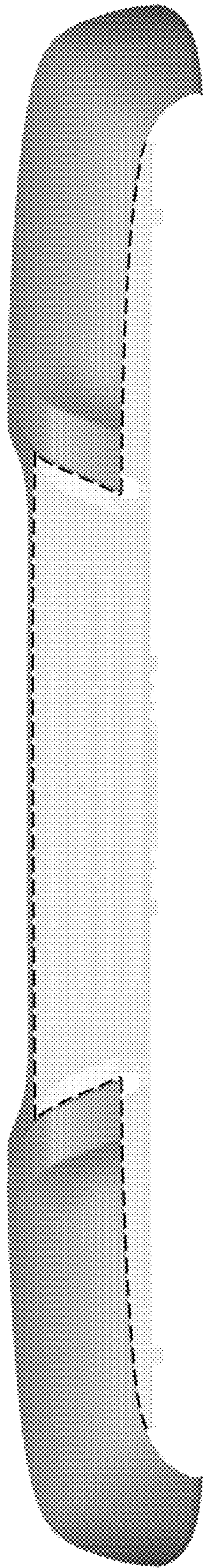


Fig. 4

Fig. 5



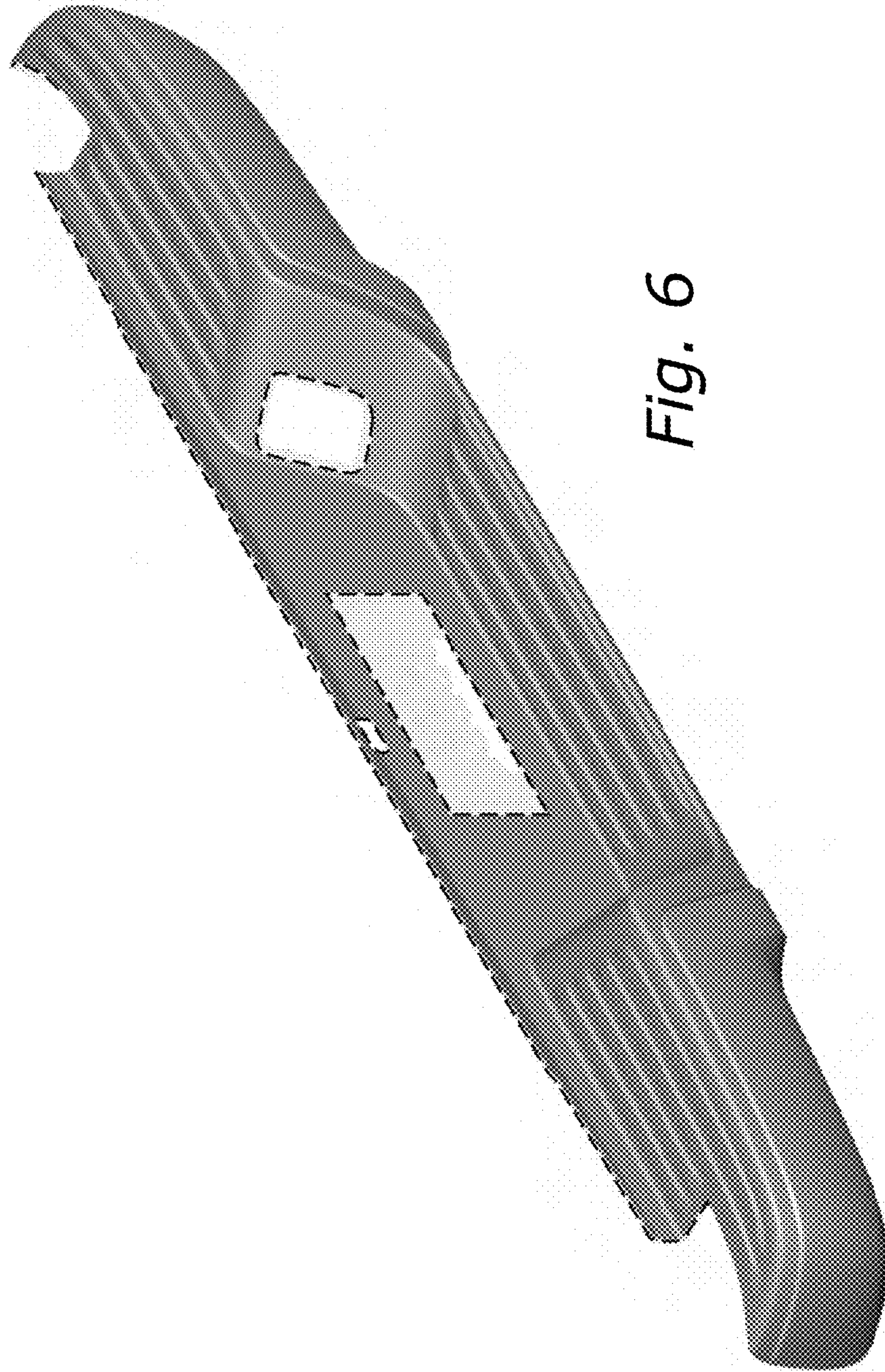


Fig. 6

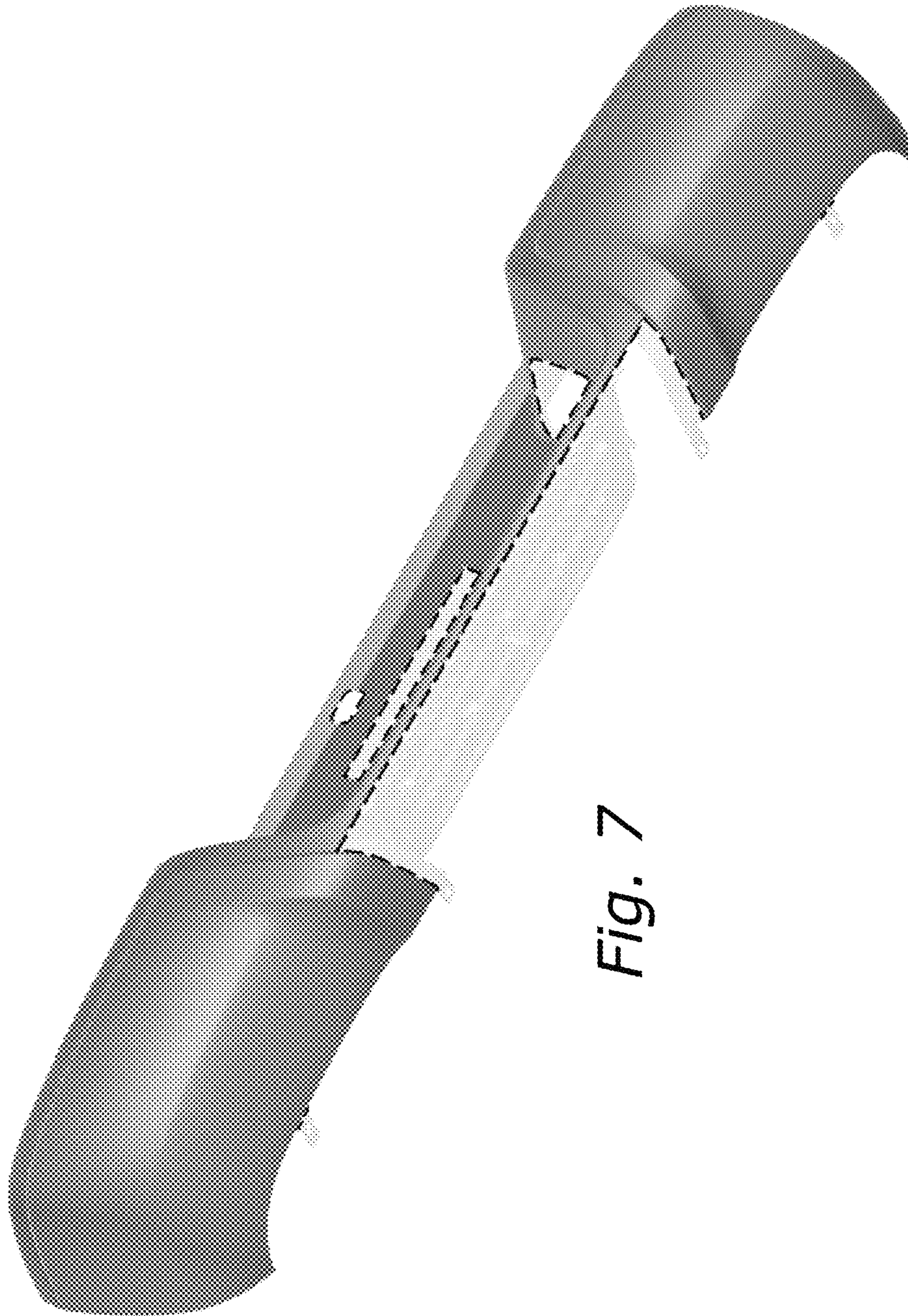


Fig. 7