



US00D892678S

(12) **United States Design Patent** (10) **Patent No.:** **US D892,678 S**
Chen et al. (45) **Date of Patent:** **** Aug. 11, 2020**

(54) **GO-KART**

(71) Applicant: **E-Link Technology Co., Ltd.**,
Shenzhen (CN)

(72) Inventors: **Minyi Chen**, Shenzhen (CN); **Pingzhi Li**,
Shenzhen (CN); **Xihui Jiang**,
Shenzhen (CN)

(**) Term: **15 Years**

(21) Appl. No.: **29/687,776**

(22) Filed: **Apr. 16, 2019**

(51) **LOC (12) Cl.** **12-08**

(52) **U.S. Cl.**
USPC **D12/87; D21/426**

(58) **Field of Classification Search**
USPC D12/1, 14, 86, 87, 88, 90, 91, 92;
D21/424, 425, 433
CPC B62D 21/10; B62D 21/183; B62D 63/02;
B60G 3/20; B60G 11/15; B60K 20/06
See application file for complete search history.

(56) **References Cited**

U.S. PATENT DOCUMENTS

4,896,899	A *	1/1990	Lawrence	B60B 5/02 152/409
5,855,386	A *	1/1999	Atkins	B60G 3/06 180/400
5,961,135	A *	10/1999	Smock	B60G 7/008 180/227
D432,186	S *	10/2000	Kuo	D21/433
6,170,596	B1 *	1/2001	Triarsi	B60K 20/06 180/291
D442,119	S *	5/2001	Murata	D12/86
D452,188	S *	12/2001	Hettich	D12/86
D453,710	S *	2/2002	Hettich	D12/86
D500,707	S *	1/2005	Lu	D12/87
D503,658	S *	4/2005	Lu	D12/87
D512,467	S *	12/2005	Hadley	D21/424

(Continued)

Primary Examiner — Darlington Ly
(74) *Attorney, Agent, or Firm* — ZANIP

(57) **CLAIM**

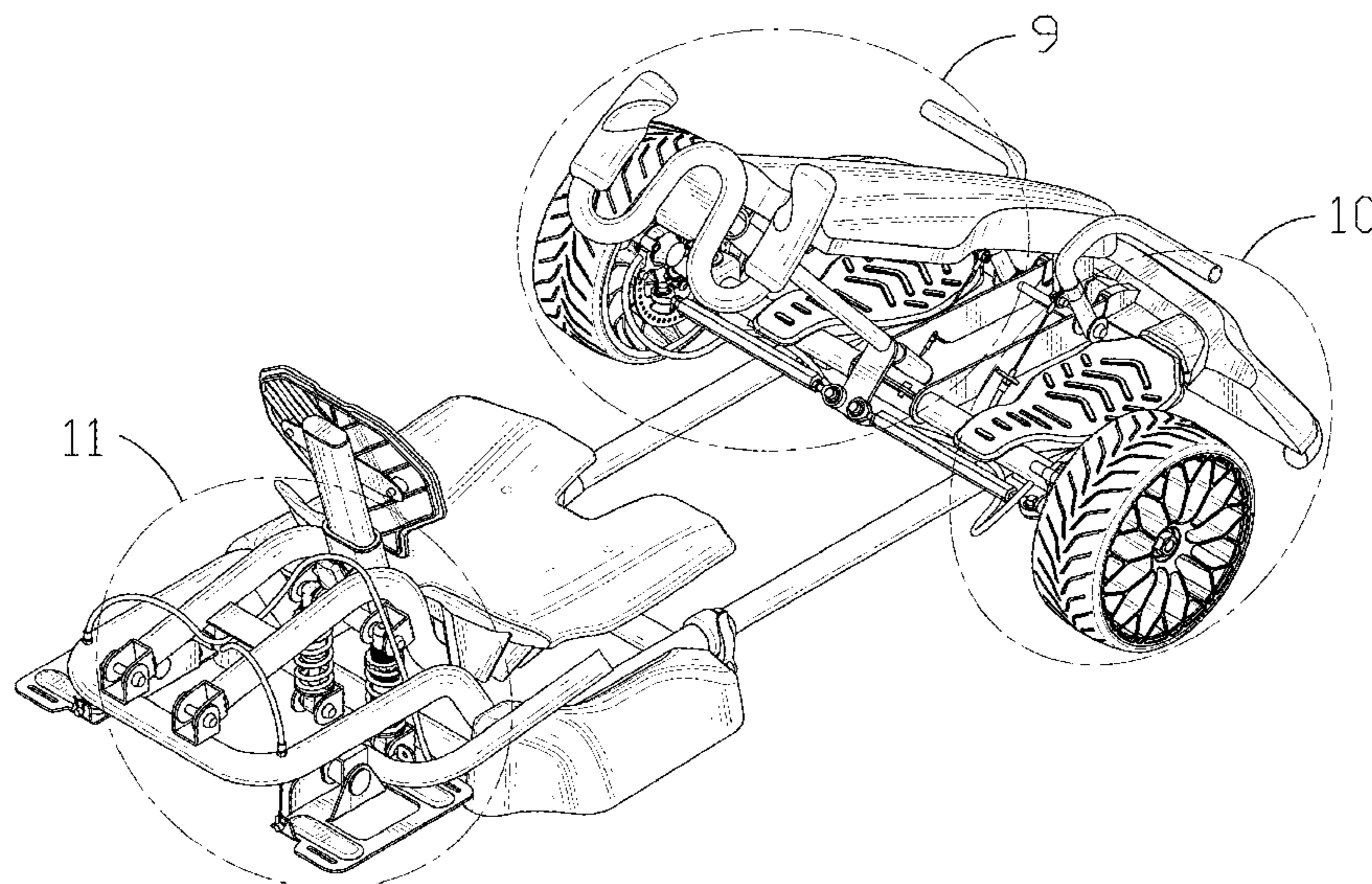
The ornamental design for a go-kart, as shown and described.

DESCRIPTION

FIG. 1 is a top, rear, and right side perspective view of a go-kart showing our new design;
 FIG. 2 is a bottom, front, and left side perspective view thereof;
 FIG. 3 is a right side elevation view thereof;
 FIG. 4 is a left side elevation view thereof;
 FIG. 5 is a rear elevation view thereof;
 FIG. 6 is a front elevation view thereof;
 FIG. 7 is a top plan view thereof;
 FIG. 8 is a bottom plan view thereof;
 FIG. 9 is an enlarged perspective view thereof for the portion marked 9 in FIG. 1;
 FIG. 10 is an enlarged perspective view thereof for the portion marked 10 in FIG. 1;
 FIG. 11 is an enlarged perspective view thereof for the portion marked 11 in FIG. 1;
 FIG. 12 is an enlarged perspective view thereof for the portion marked 12 in FIG. 2;
 FIG. 13 is an enlarged perspective view thereof for the portion marked 13 in FIG. 2;
 FIG. 14 is an enlarged perspective view thereof for the portion marked 14 in FIG. 2;
 FIG. 15 is an enlarged elevation view thereof for the portion marked 15 in FIG. 3;
 FIG. 16 is an enlarged elevation view thereof for the portion marked 16 in FIG. 5; and,
 FIG. 17 is an enlarged elevation view thereof for the portion marked 17 in FIG. 6.

The broken lines shown in the drawings depict portions of the go-kart in which the design is embodied that form no part of the claimed design.

1 Claim, 17 Drawing Sheets



(56)

References Cited

U.S. PATENT DOCUMENTS

D535,215	S	*	1/2007	Turner	D12/87
7,380,805	B1	*	6/2008	Turner	B60G 3/20 280/124.13
D574,297	S	*	8/2008	Carl	D12/87
D682,739	S	*	5/2013	Patterson	D12/87
D692,505	S	*	10/2013	Jiang	D12/112
D692,506	S	*	10/2013	Jiang	D12/112
D705,127	S	*	5/2014	Patterson	D12/87
D705,128	S	*	5/2014	Patterson	D12/87
D771,196	S	*	11/2016	Chen	D21/424
D774,981	S	*	12/2016	Chen	D12/112
D778,369	S	*	2/2017	Douma	D21/424
D793,480	S	*	8/2017	Chen	D21/424
D793,481	S	*	8/2017	Kermani	D21/426
D793,912	S	*	8/2017	Kermani	D12/112

* cited by examiner

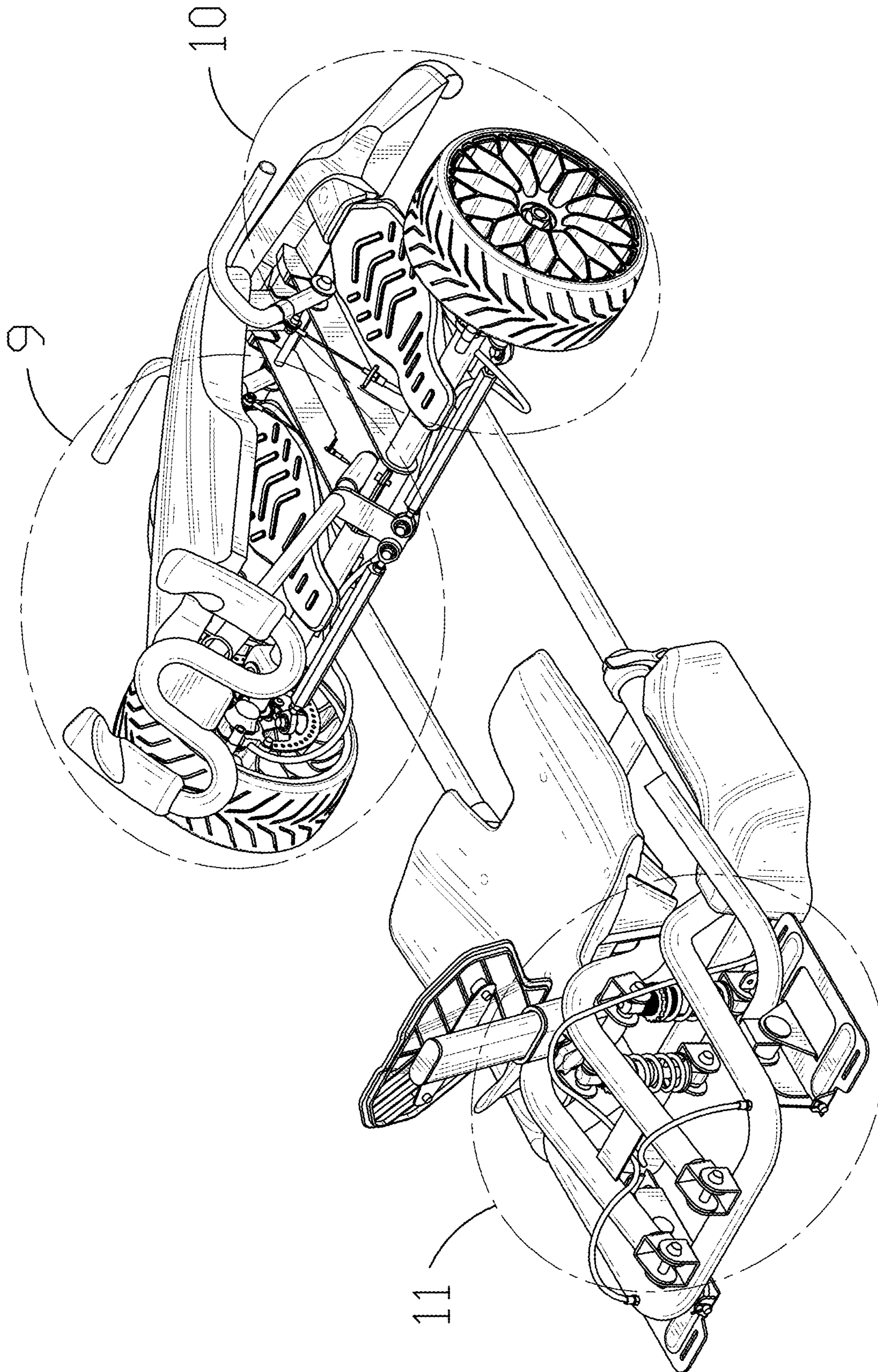


FIG. 1

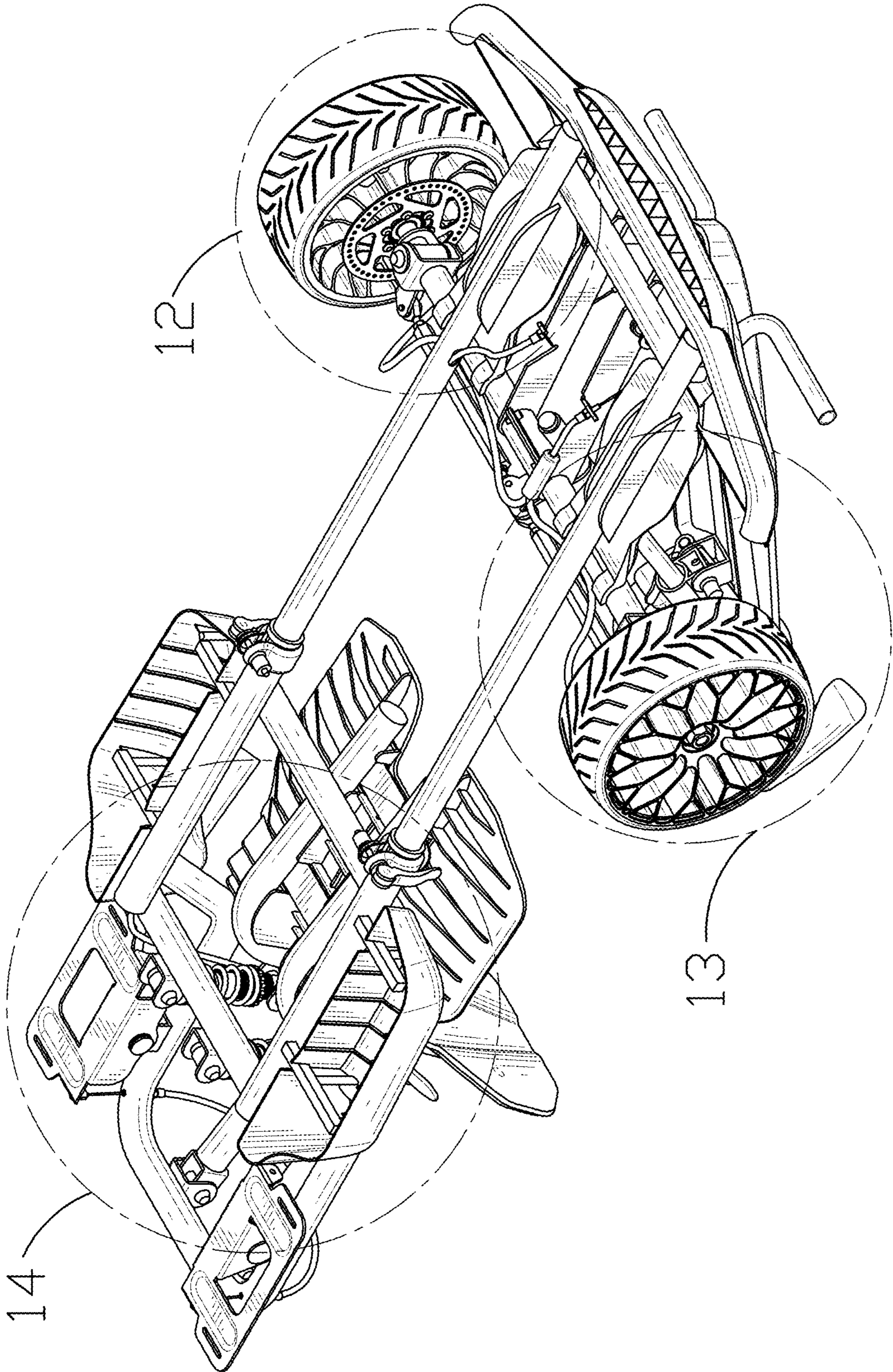


FIG. 2

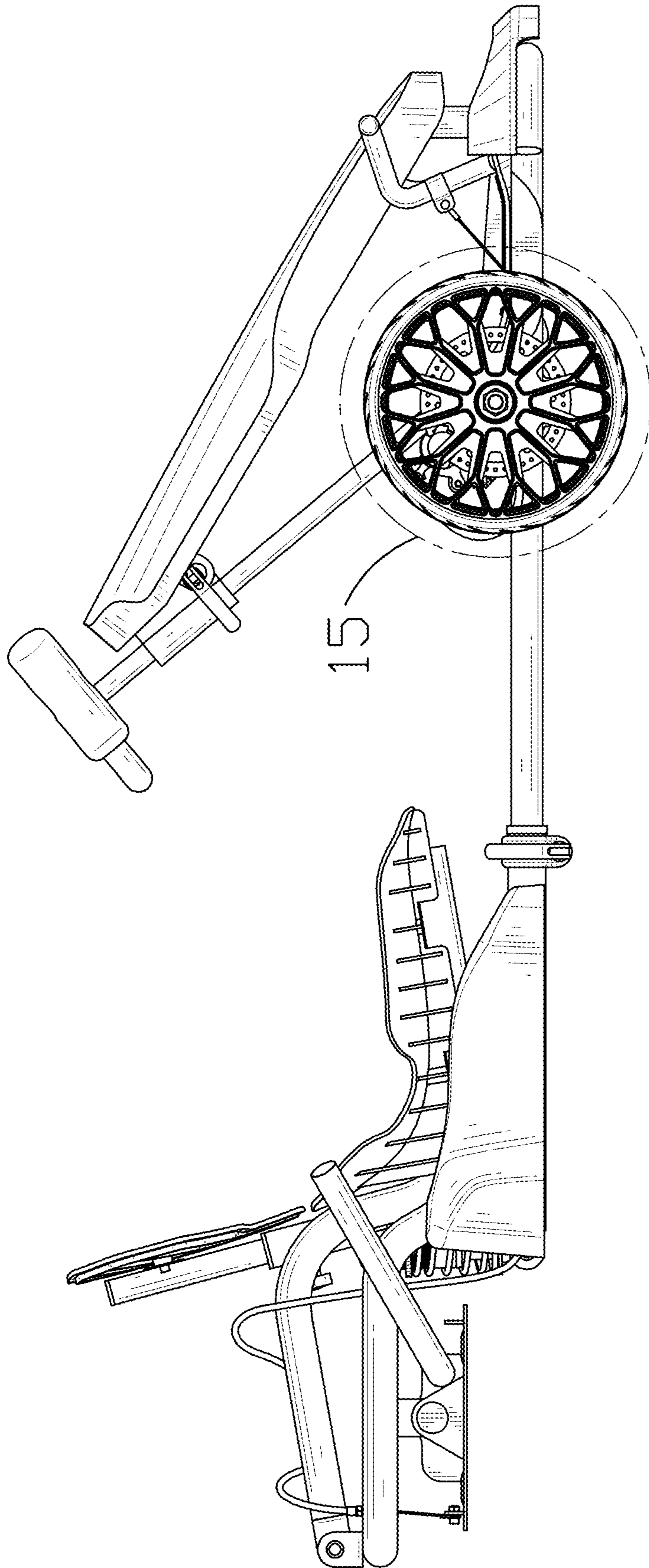


FIG. 3

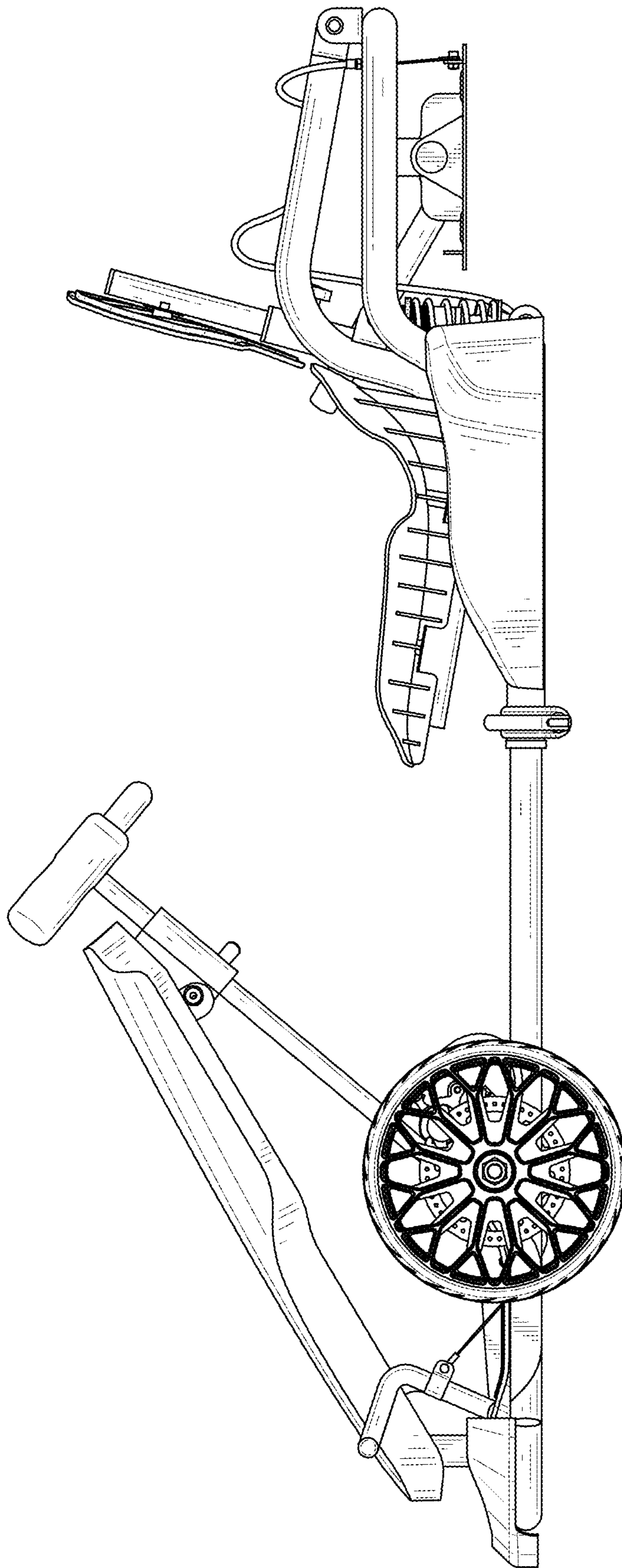


FIG. 4

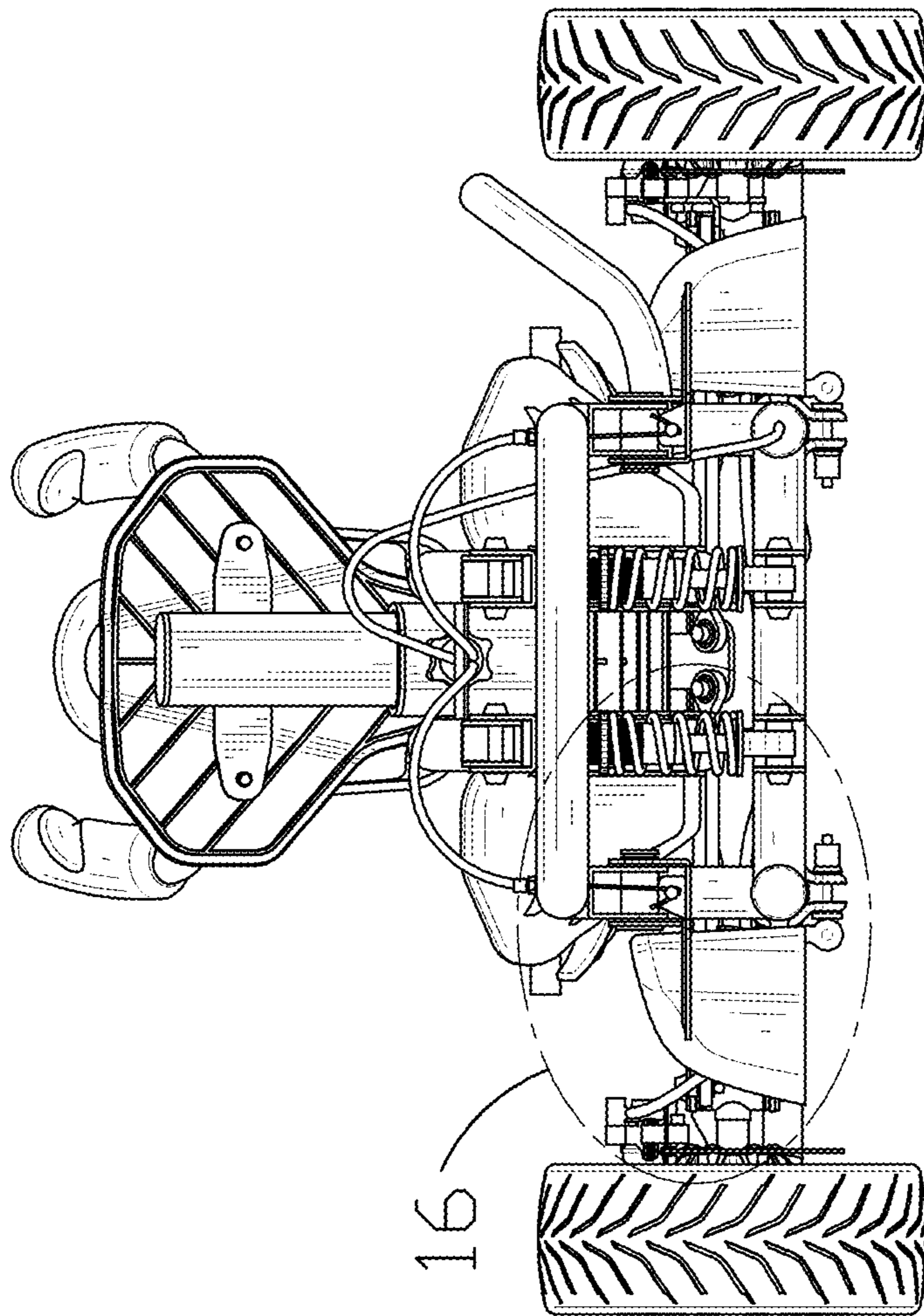


FIG. 5

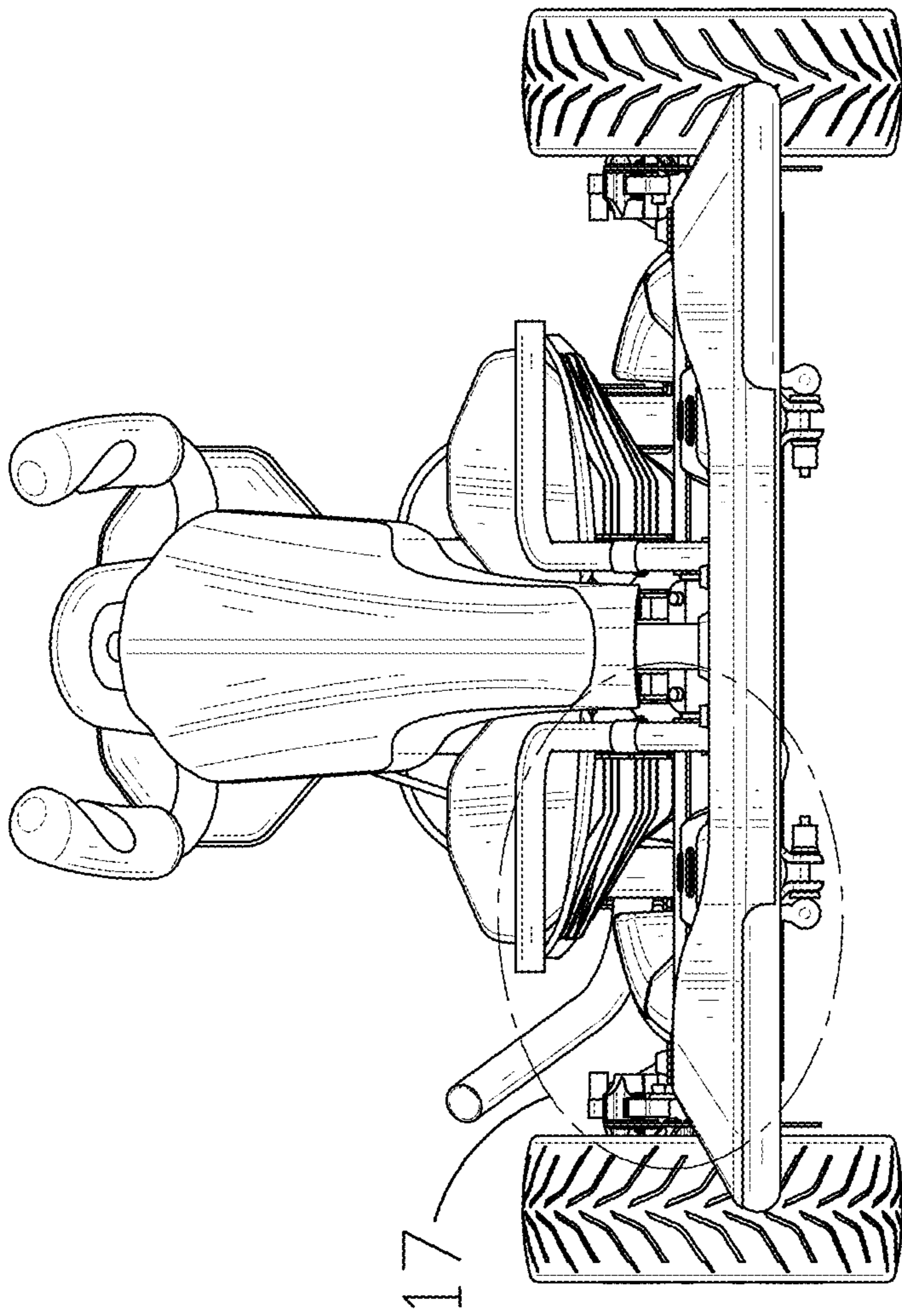


FIG. 6

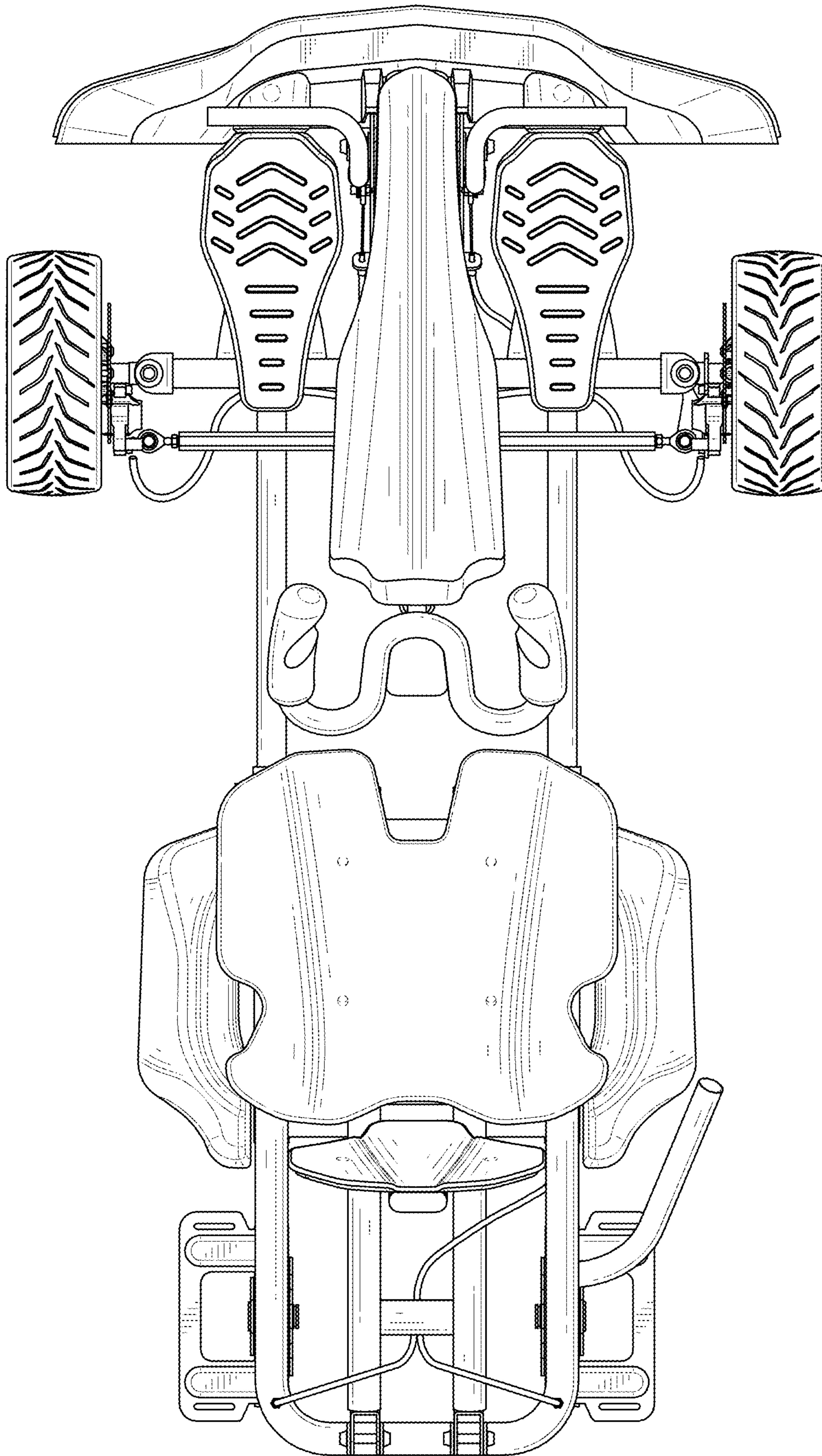


FIG. 7

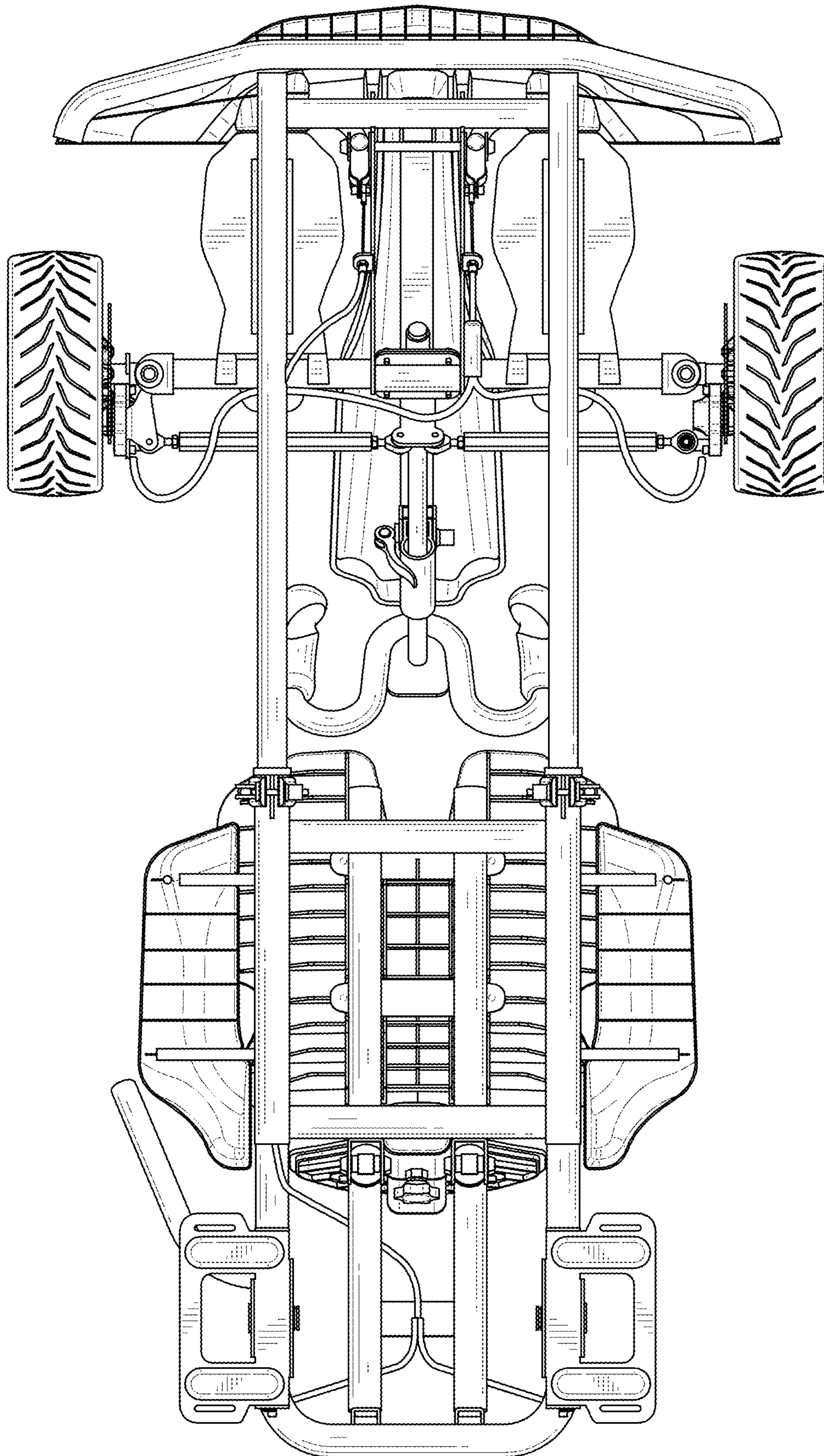


FIG. 8

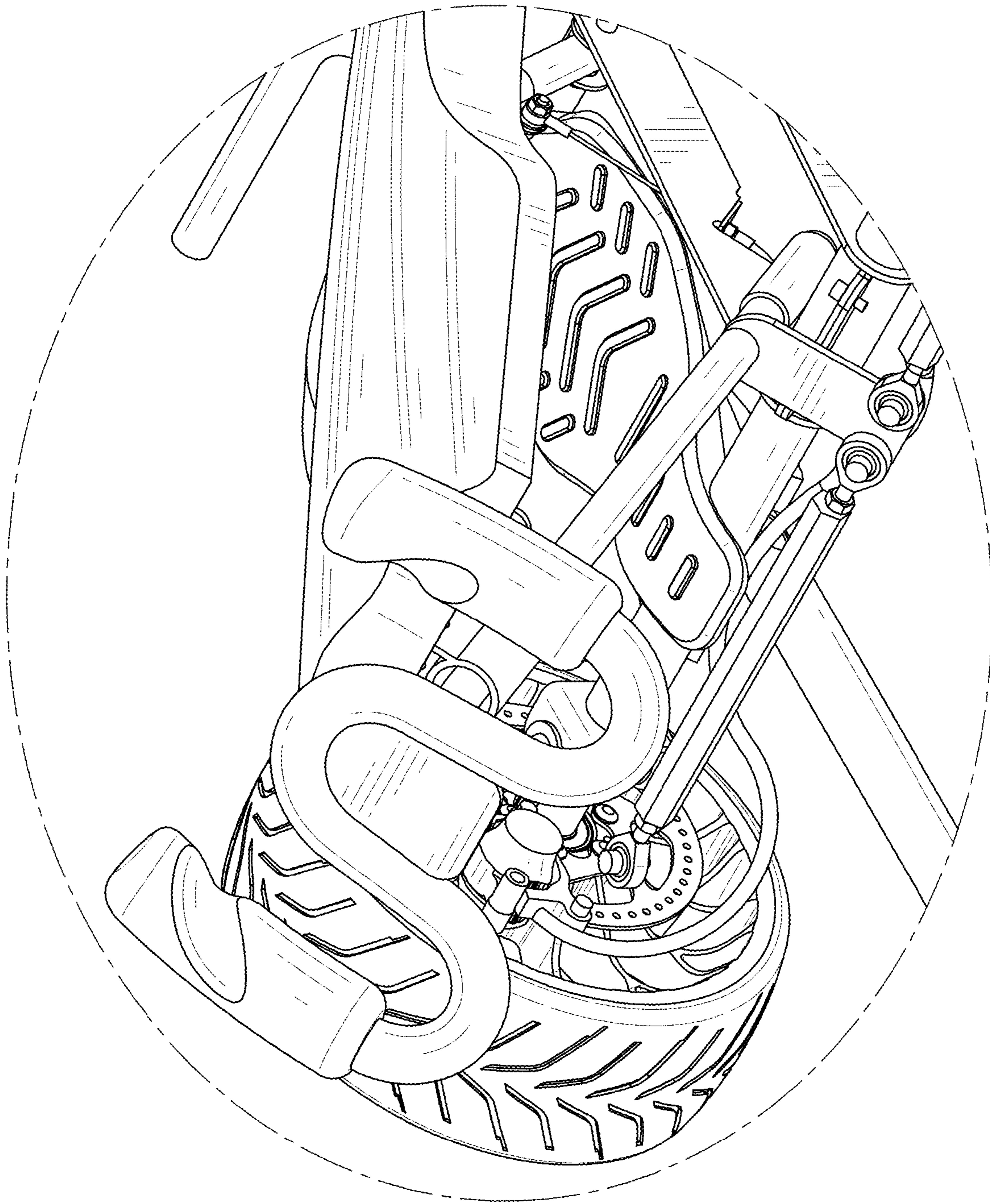


FIG. 9

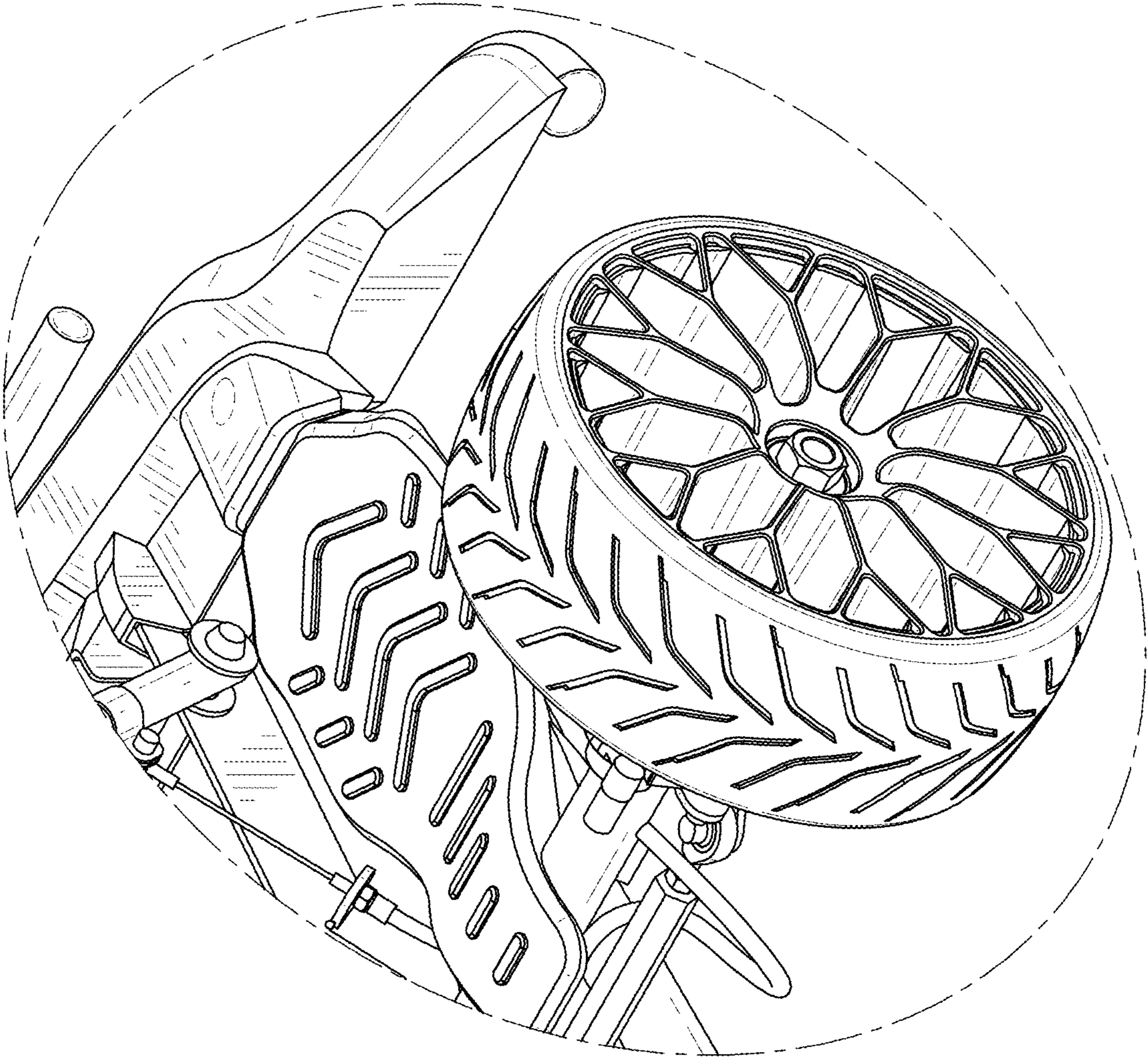


FIG. 10

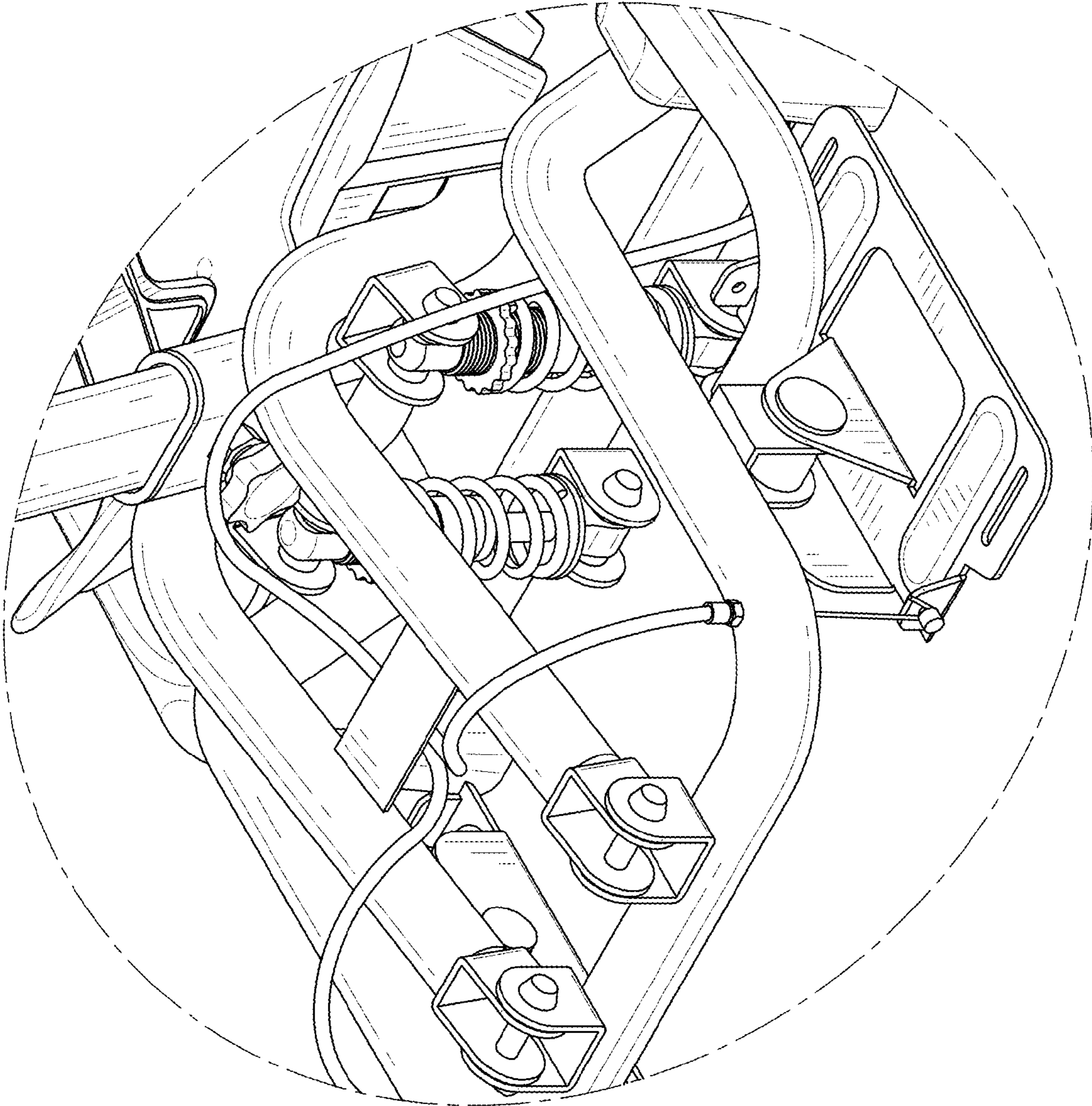


FIG. 11

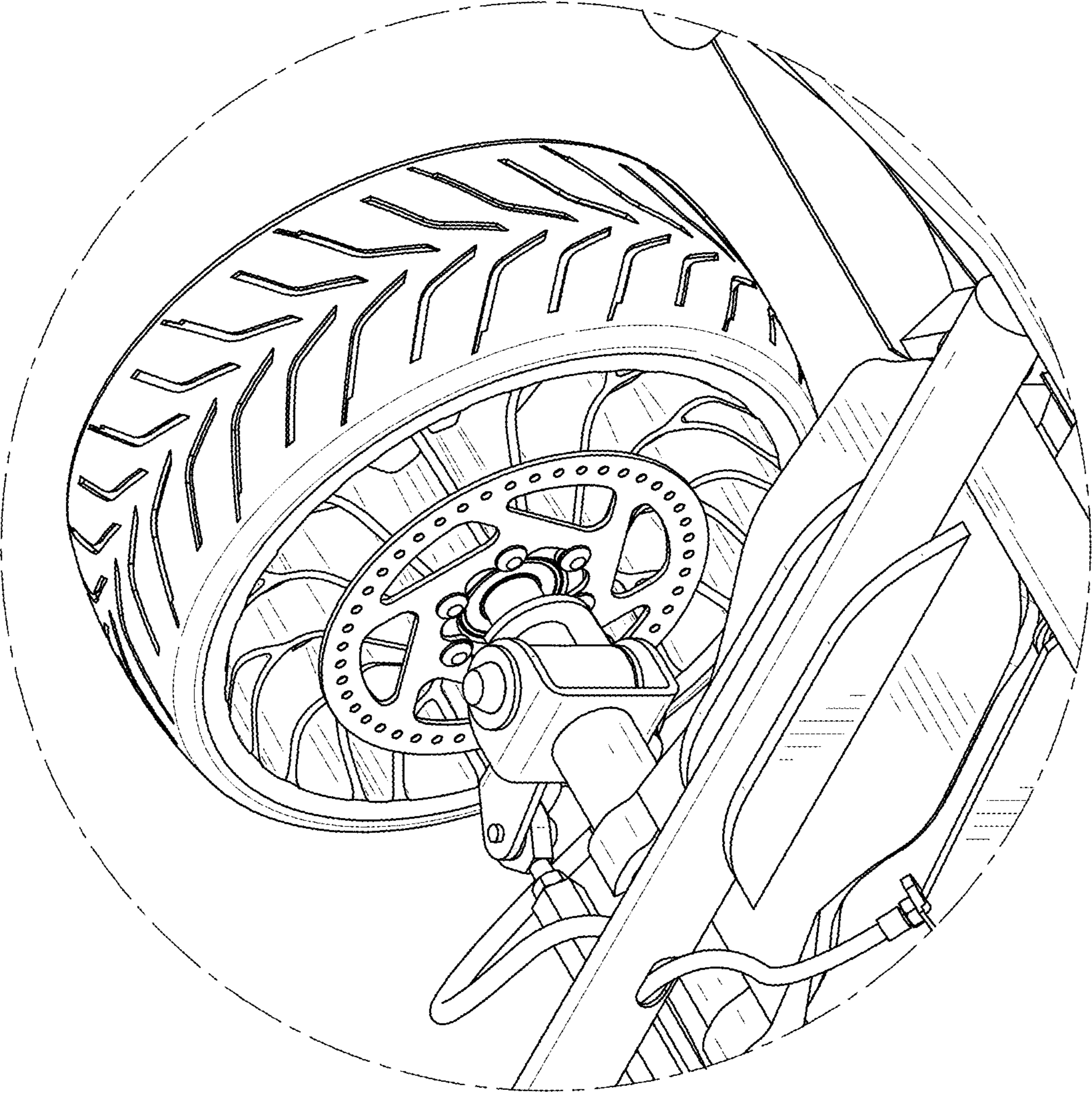


FIG. 12

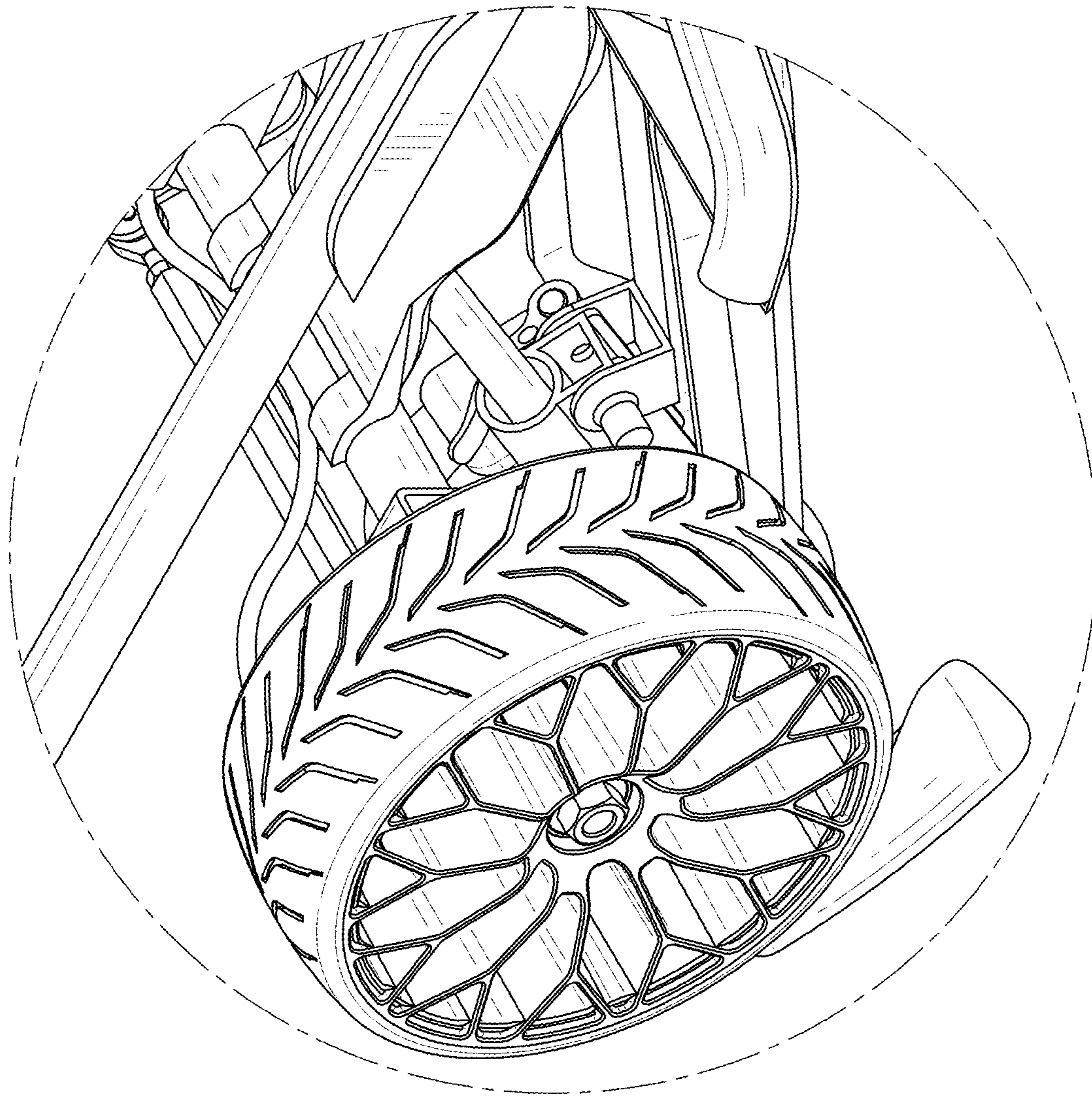


FIG. 13

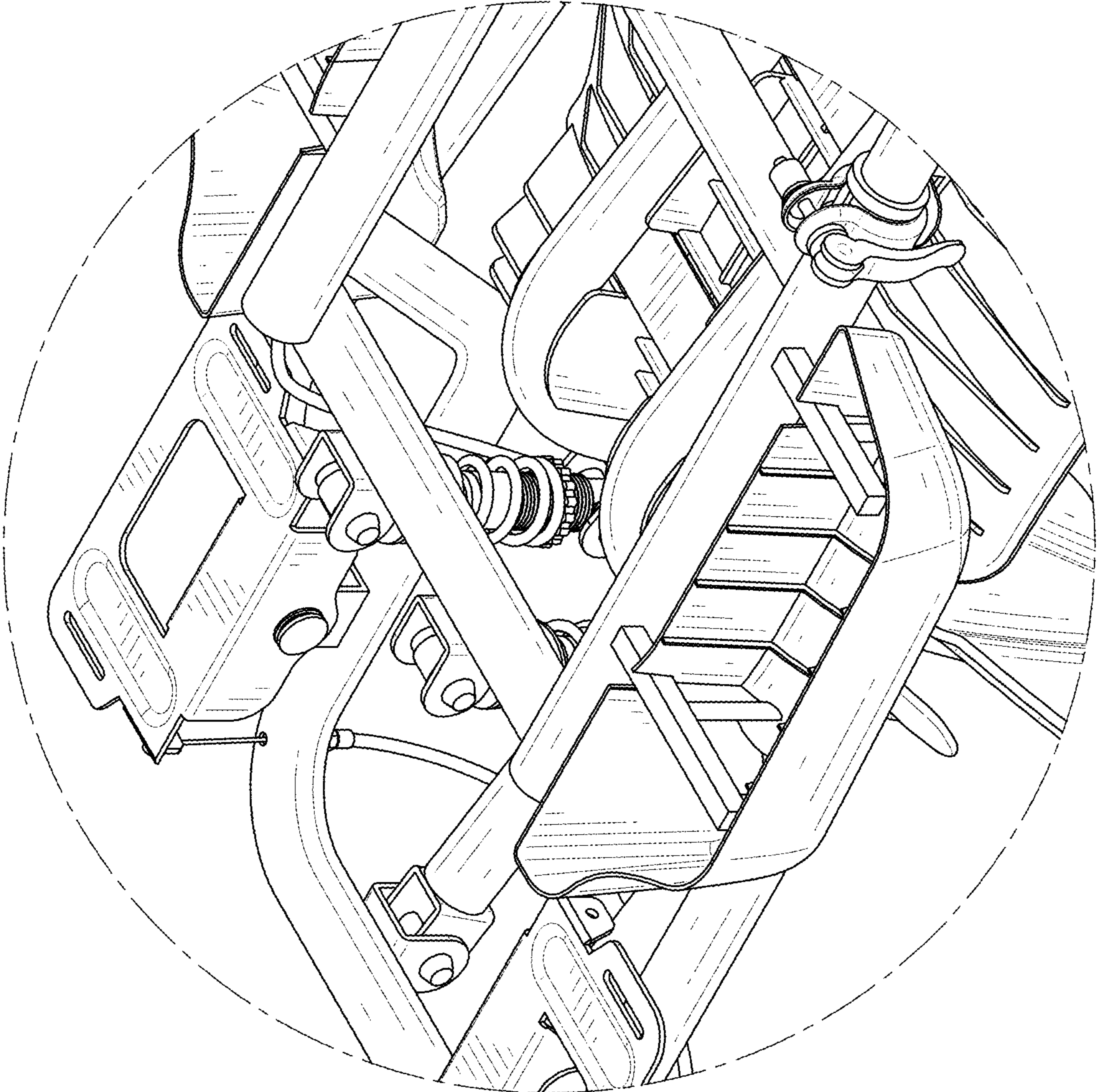


FIG. 14

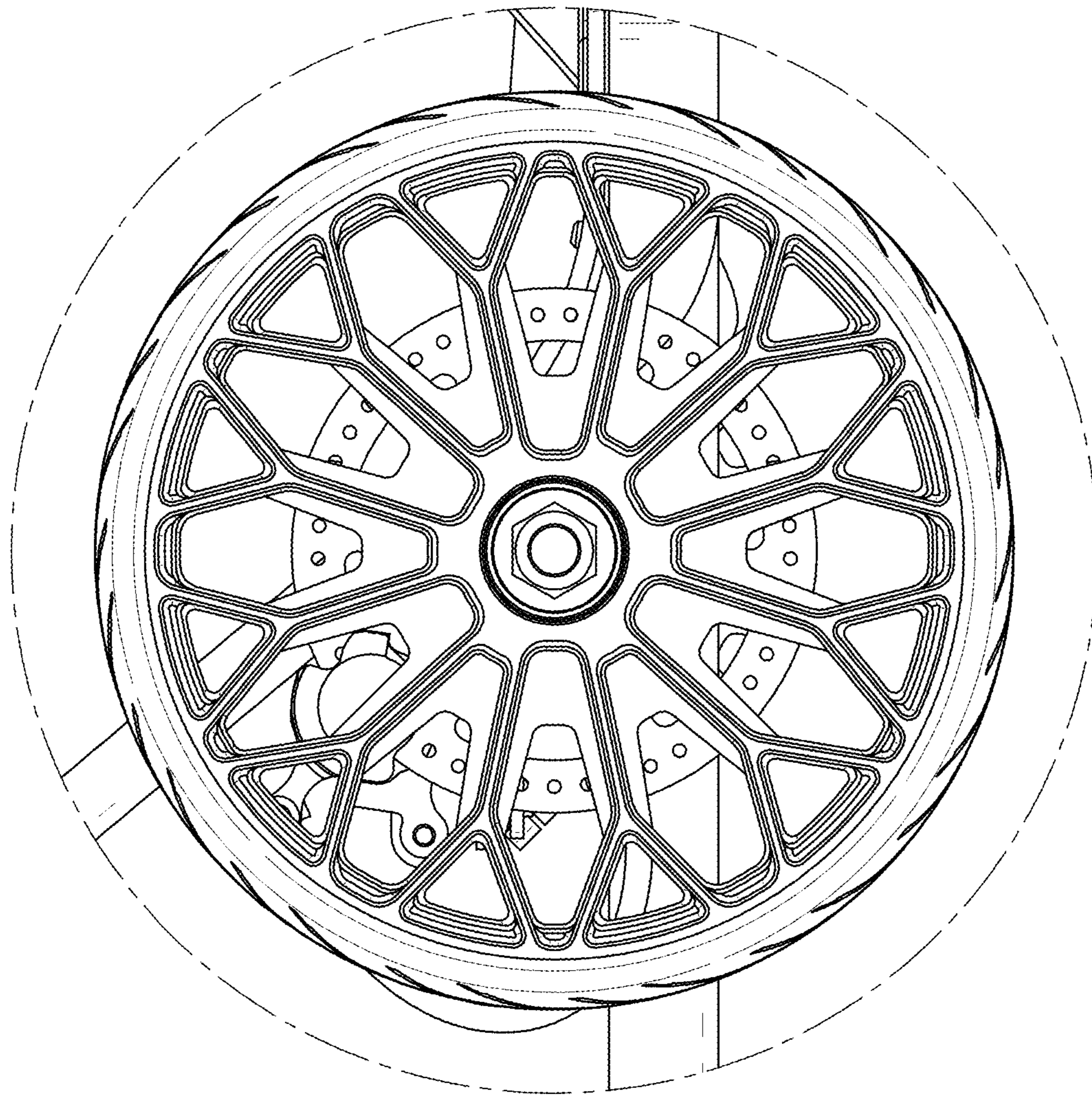


FIG. 15

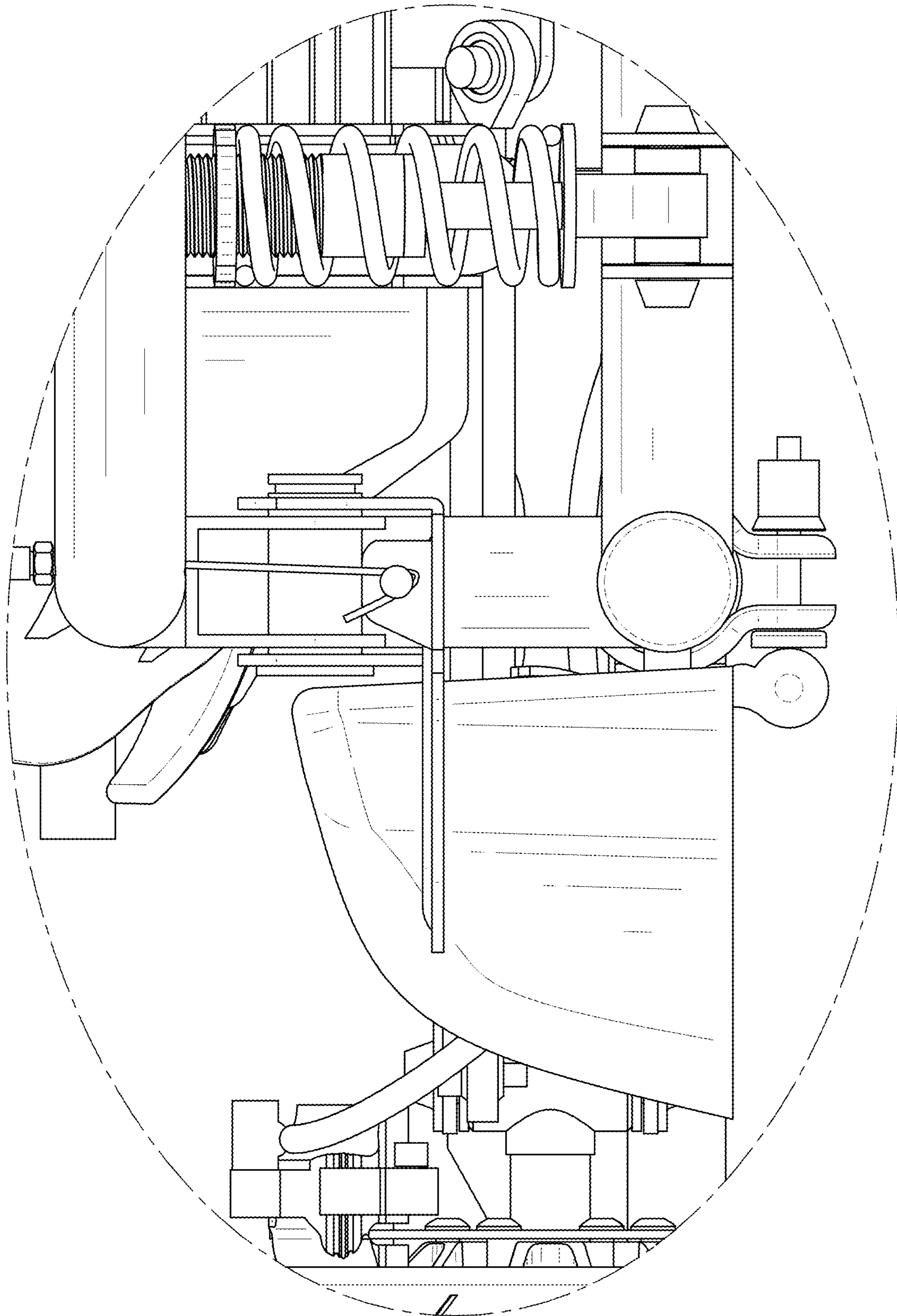


FIG. 16

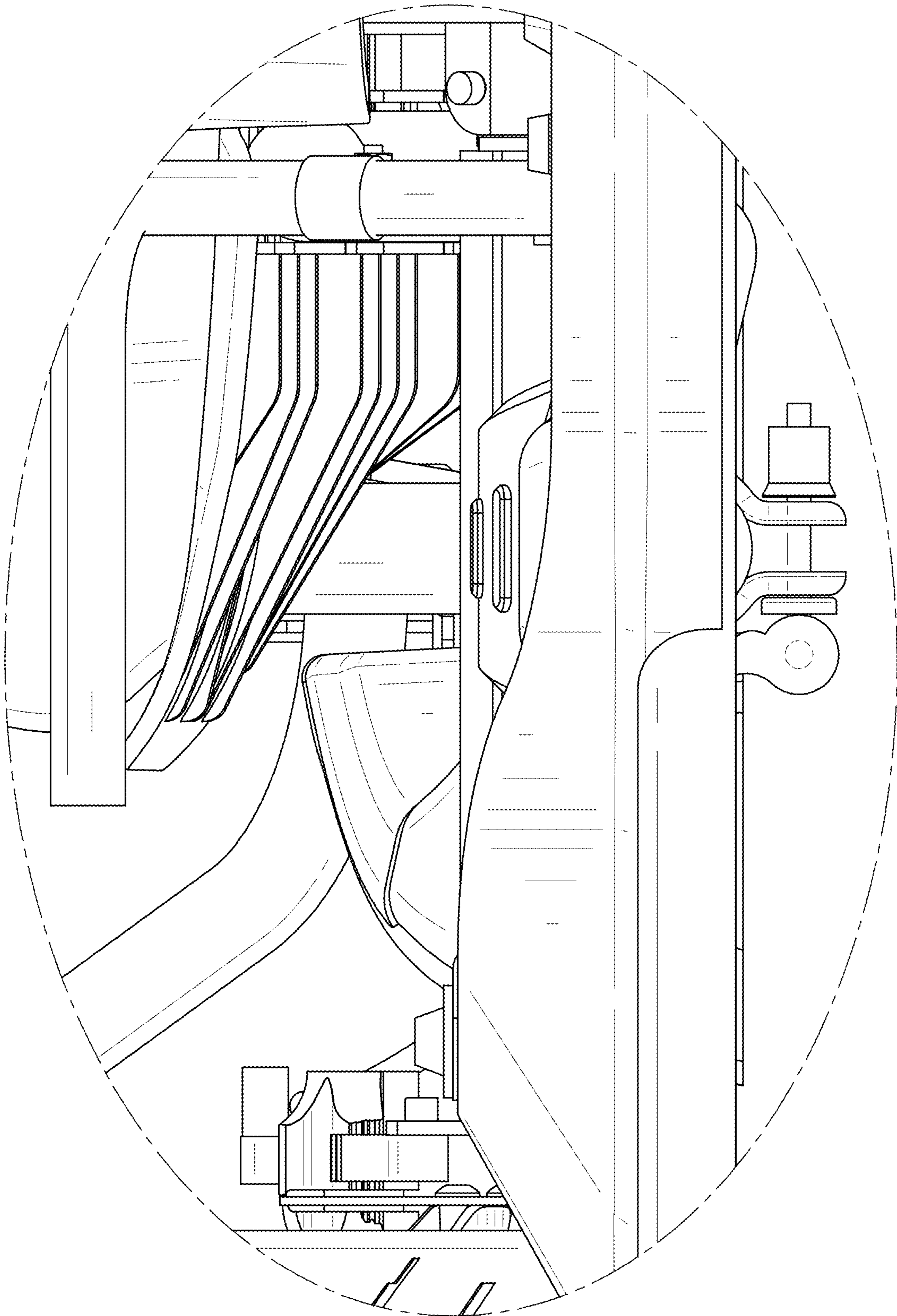


FIG. 17