



US00D892677S

(12) **United States Design Patent**
Luo et al.

(10) **Patent No.:** **US D892,677 S**

(45) **Date of Patent:** **** Aug. 11, 2020**

- (54) **UNMANNED AERIAL VEHICLE**
- (71) Applicant: **Guangzhou Walkera Technology Co., Ltd.**, Guangzhou, Guangdong (CN)
- (72) Inventors: **Zhihong Luo**, Guangdong (CN); **Ben Li**, Guangdong (CN); **Ye Xia**, Guangdong (CN); **Qiang Luo**, Guangdong (CN)
- (73) Assignee: **Guangzhou Walkera Technology Co., Ltd.**, Guangzhou, Guangdong (CN)
- (**) Term: **15 Years**
- (21) Appl. No.: **29/667,287**
- (22) Filed: **Oct. 19, 2018**
- (30) **Foreign Application Priority Data**

Apr. 19, 2018 (CN) 2018 3 0163861

- (51) **LOC (12) Cl.** **12-07**
- (52) **U.S. Cl.**
USPC **D12/16.1; D12/328**
- (58) **Field of Classification Search**
USPC D12/319-345, 16.1, 1-4, 415;
D21/436-455; D14/218
CPC B64C 2201/146; B64C 2201/027; B64C
2201/104; B64C 25/06; B64C 25/24;
B64C 39/04; B64C 5/02
See application file for complete search history.

(56) **References Cited**

U.S. PATENT DOCUMENTS

- D521,986 S * 5/2006 Depay D14/218
- D534,900 S * 1/2007 Weitgasser D14/218
- D594,852 S * 6/2009 Klein D14/218
- D609,222 S * 2/2010 Shin D14/218
- D729,209 S * 5/2015 McManigal D14/218
- D741,779 S * 10/2015 Hsiao D12/16.1

- D775,106 S * 12/2016 Chandel D14/218
- D778,266 S * 2/2017 Maier D14/218
- D785,541 S * 5/2017 Du D12/328
- D798,961 S * 10/2017 Li D21/441
- D813,723 S * 3/2018 Ahn D12/16.1
- D813,724 S * 3/2018 Hu D12/16.1
- D818,872 S * 5/2018 Ho D12/16.1
- D818,874 S * 5/2018 Tian D12/16.1
- D819,749 S * 6/2018 Caubel D21/449
- D821,263 S * 6/2018 Goldy D12/16.1
- D825,379 S * 8/2018 Gury D12/16.1
- D843,267 S * 3/2019 Gao D12/16.1
- D849,154 S * 5/2019 Zhao D21/436
- D854,448 S * 7/2019 Chen D12/16.1
- D858,353 S * 9/2019 Gan D12/16.1
- D860,047 S * 9/2019 Gan D12/16.1
- D860,048 S * 9/2019 Caubel D12/16.1
- D861,573 S * 10/2019 He D12/328
- D864,022 S * 10/2019 Gan D12/16.1

(Continued)

Primary Examiner — Marissa J Cash

(74) *Attorney, Agent, or Firm* — Muncy, Geissler, Olds & Lowe, P.C.

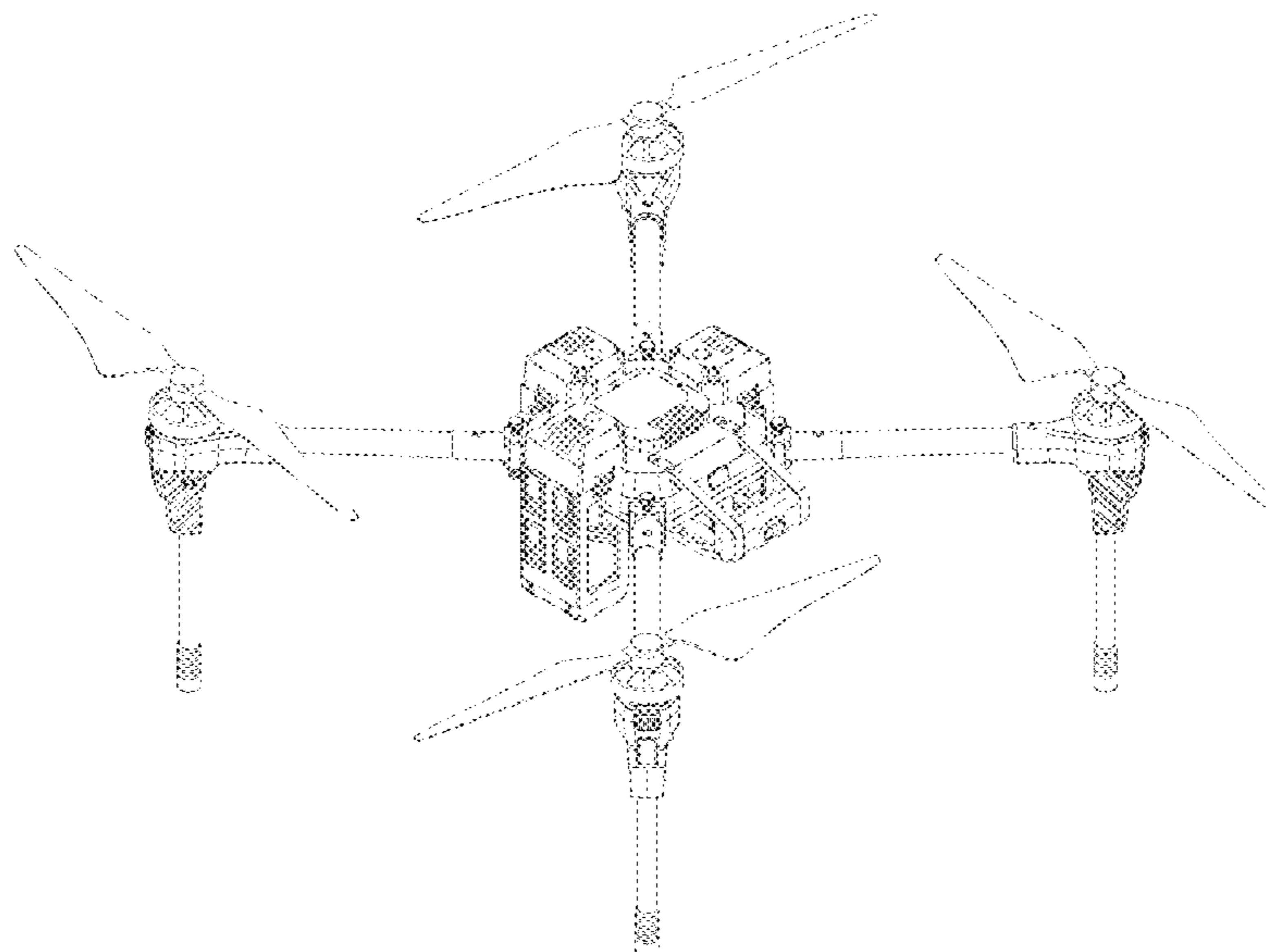
(57) **CLAIM**

The ornamental design for an unmanned aerial vehicle, as shown and described.

DESCRIPTION

FIG. 1 is a front elevational view of a unmanned aerial vehicle showing our new design;
 FIG. 2 is a rear elevational view thereof;
 FIG. 3 is a top plan view thereof;
 FIG. 4 is a bottom plan view thereof;
 FIG. 5 is a left side elevational view thereof;
 FIG. 6 is a right side elevational view thereof;
 FIG. 7 is a perspective view thereof;
 FIG. 8 is another perspective view thereof;
 FIG. 9 is another perspective view thereof; and,
 FIG. 10 is another perspective view thereof.

1 Claim, 10 Drawing Sheets



(56)

References Cited

U.S. PATENT DOCUMENTS

2017/0174316 A1* 6/2017 Huddleston, Jr. B64C 11/00
2017/0301109 A1* 10/2017 Chan G06K 9/0063
2018/0095468 A1* 4/2018 Yang B64C 39/024
2018/0149947 A1* 5/2018 Kim B64C 25/10
2019/0039719 A1* 2/2019 Baek B64C 11/04

* cited by examiner

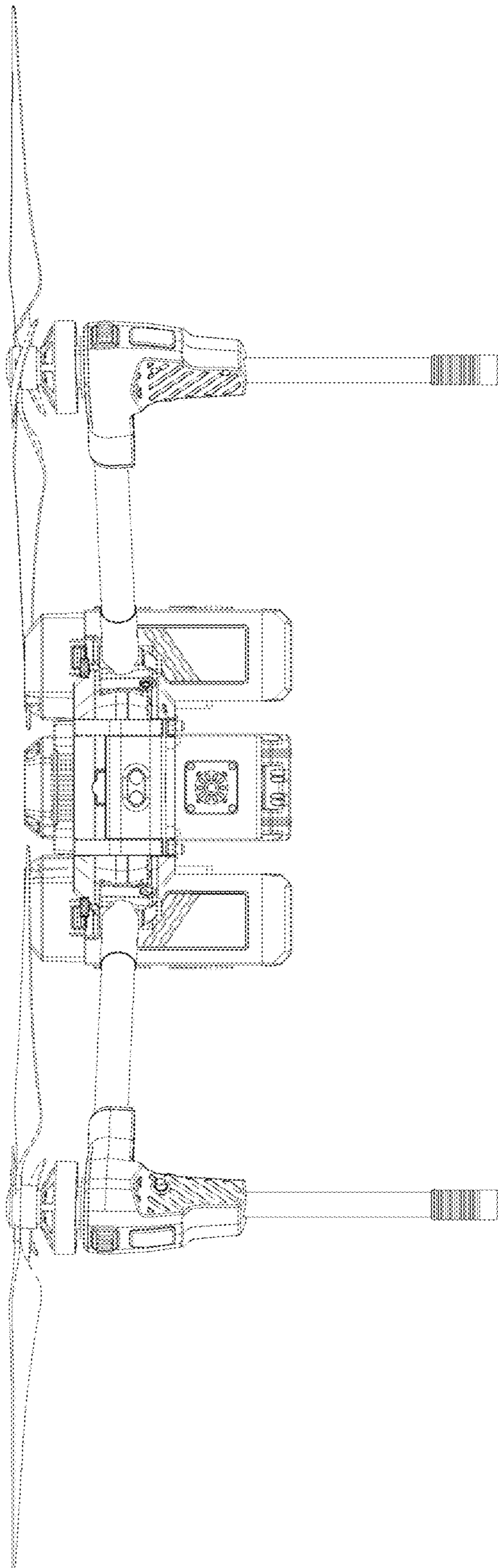


FIG. 1

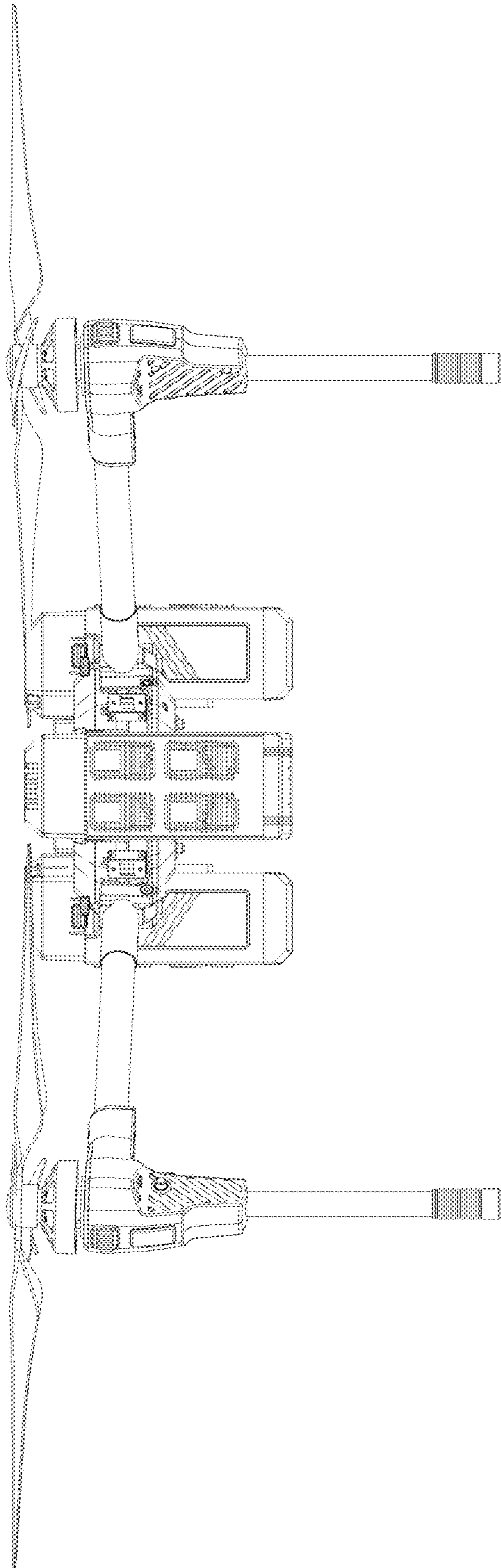


FIG. 2

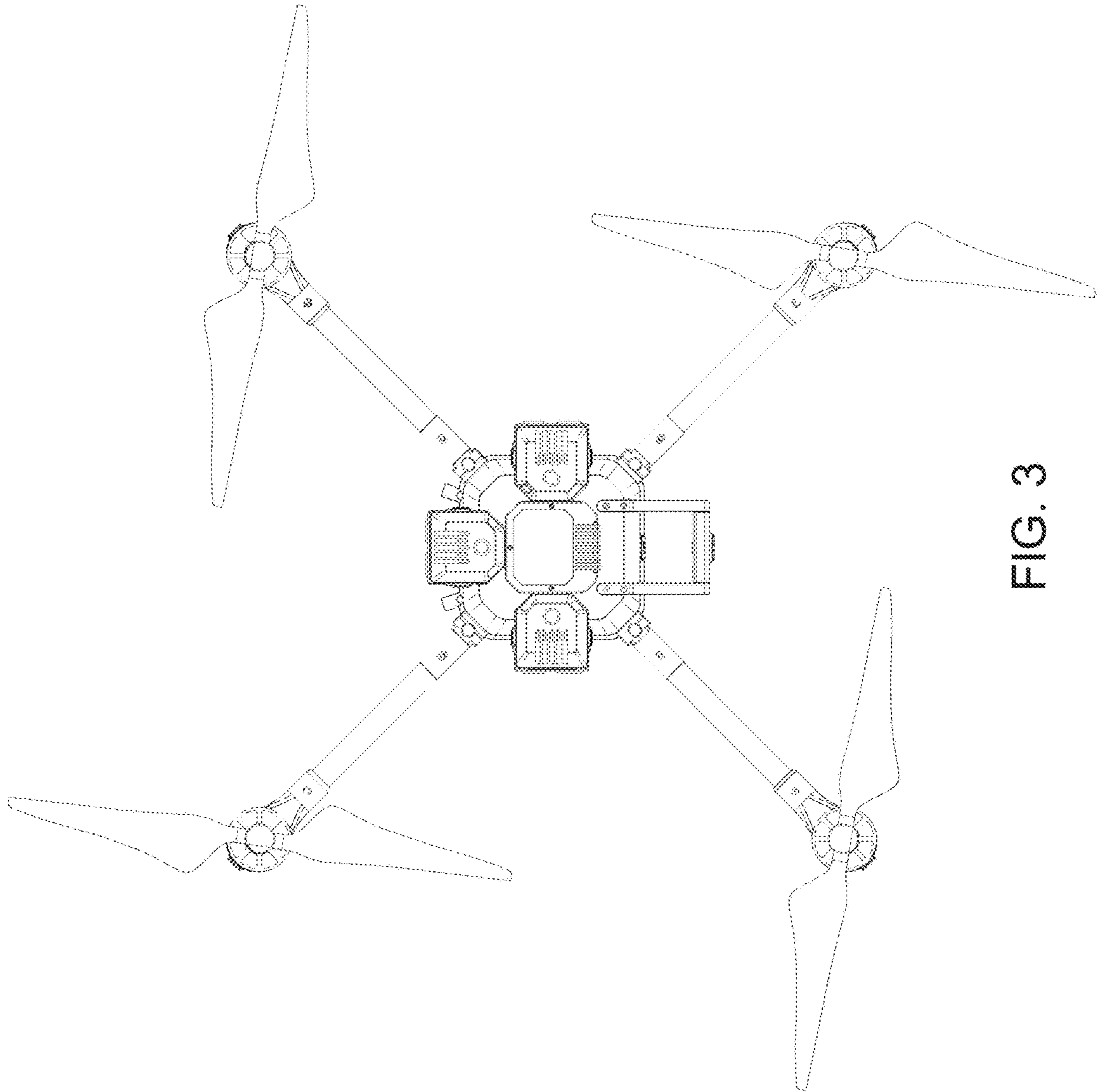


FIG. 3

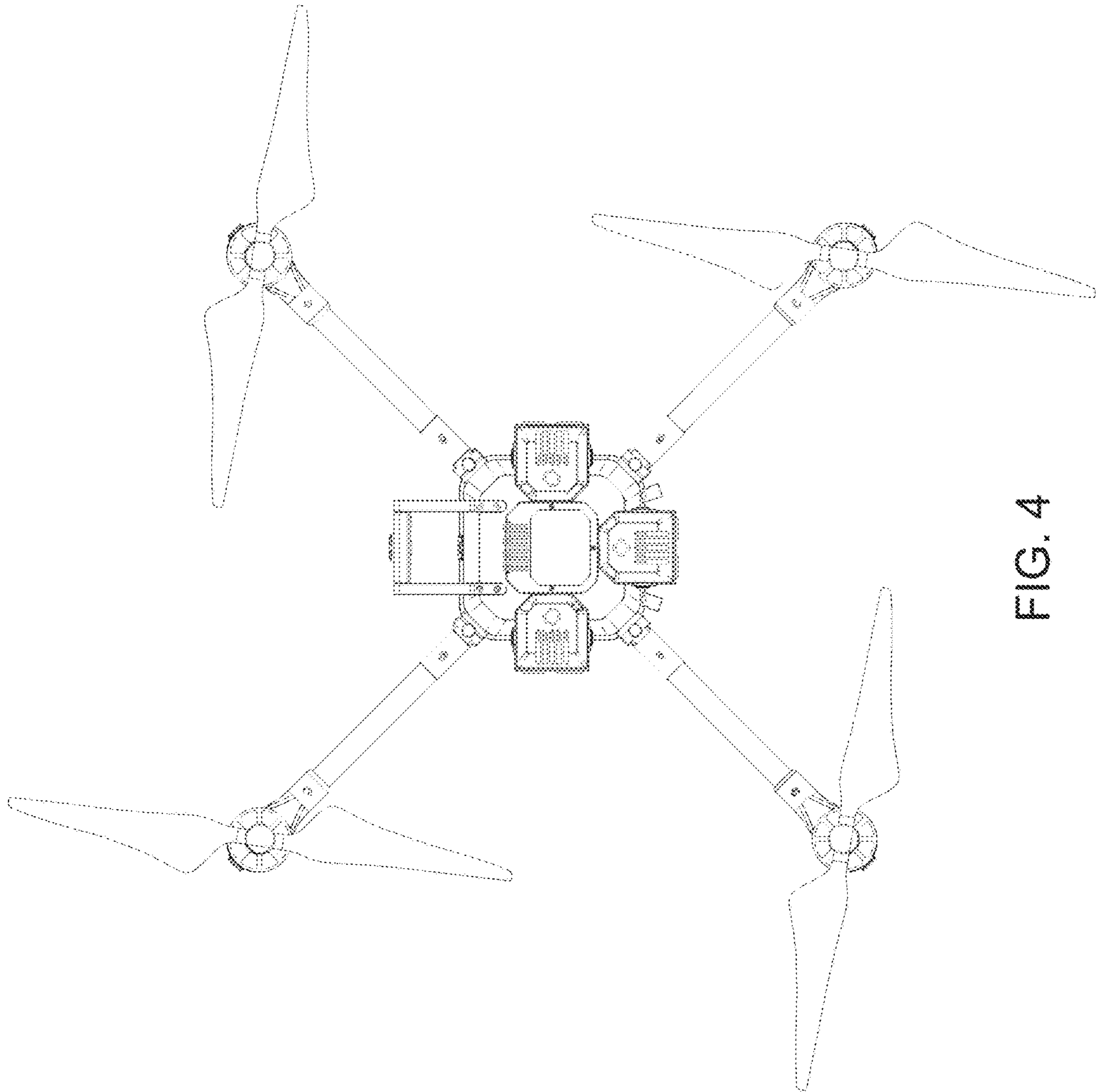


FIG. 4

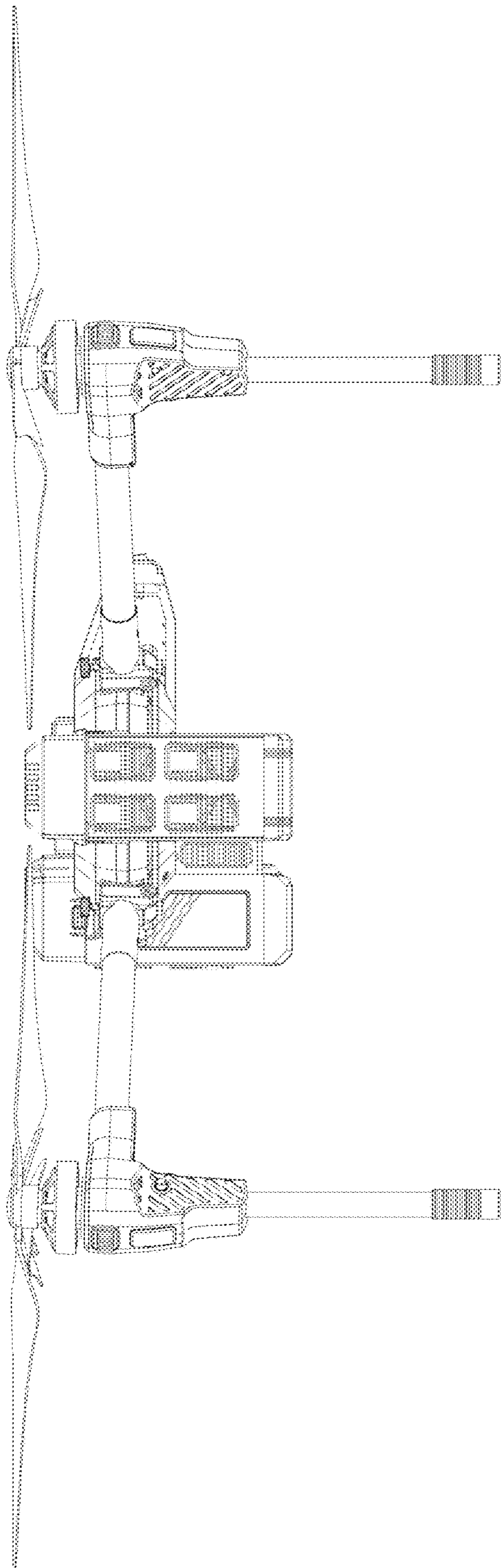


FIG. 5

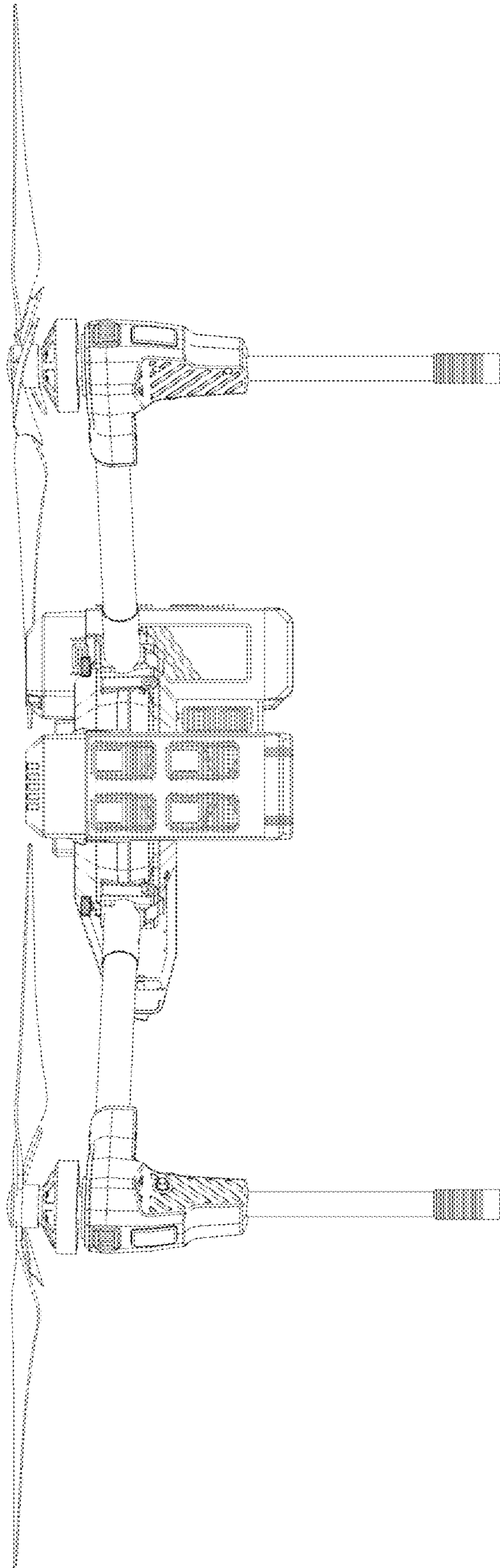


FIG. 6

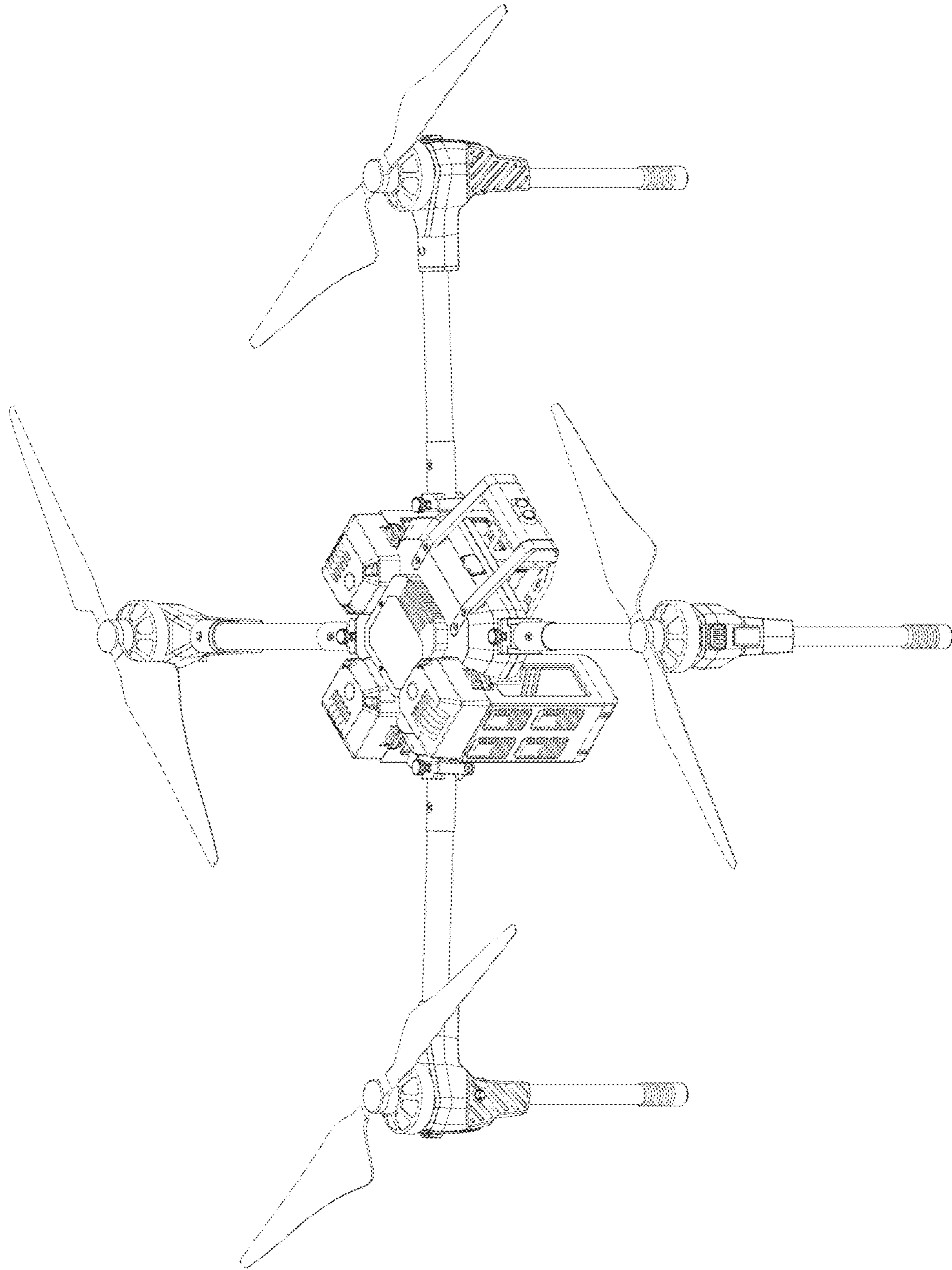


FIG. 7

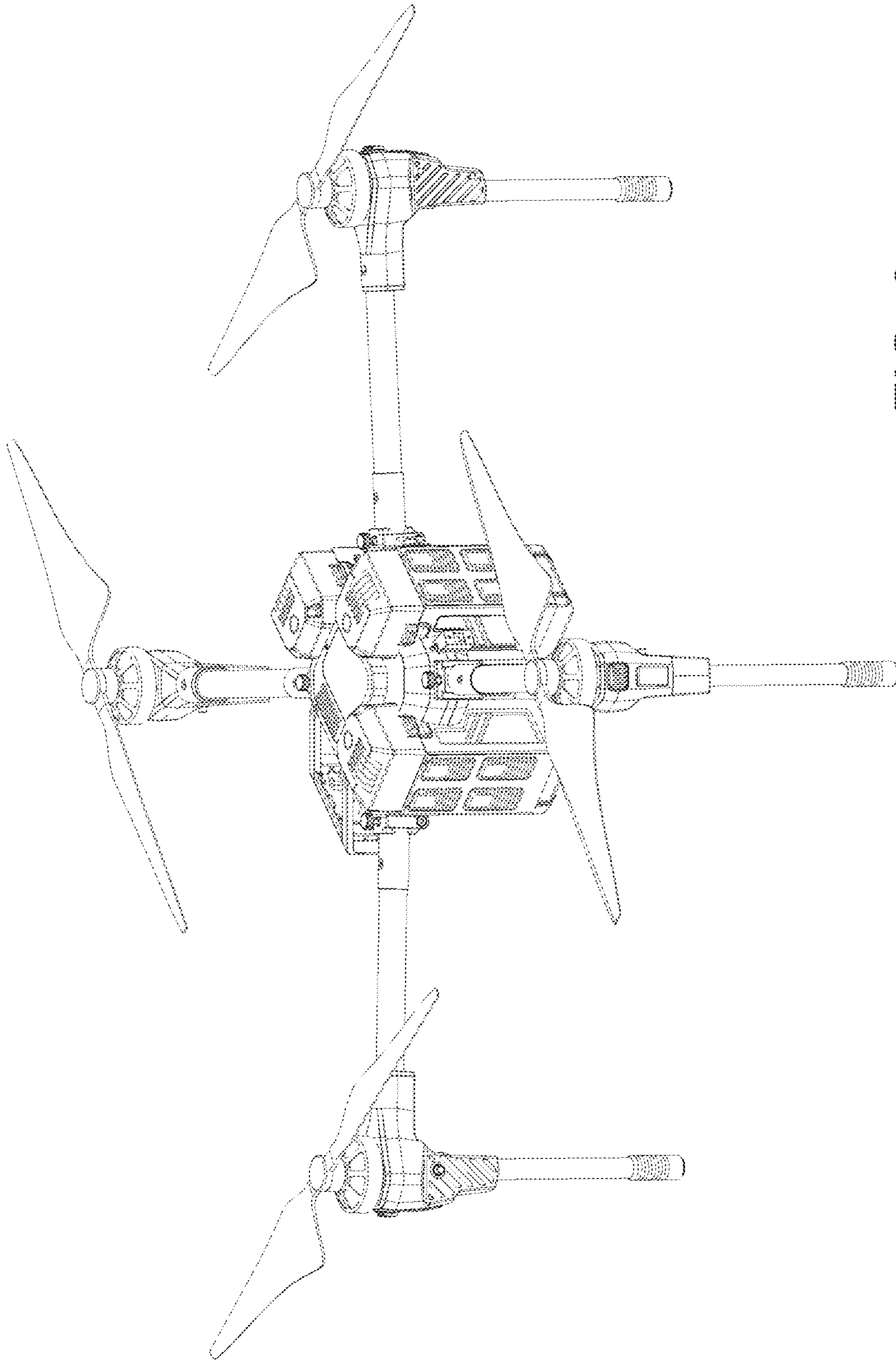


FIG. 8

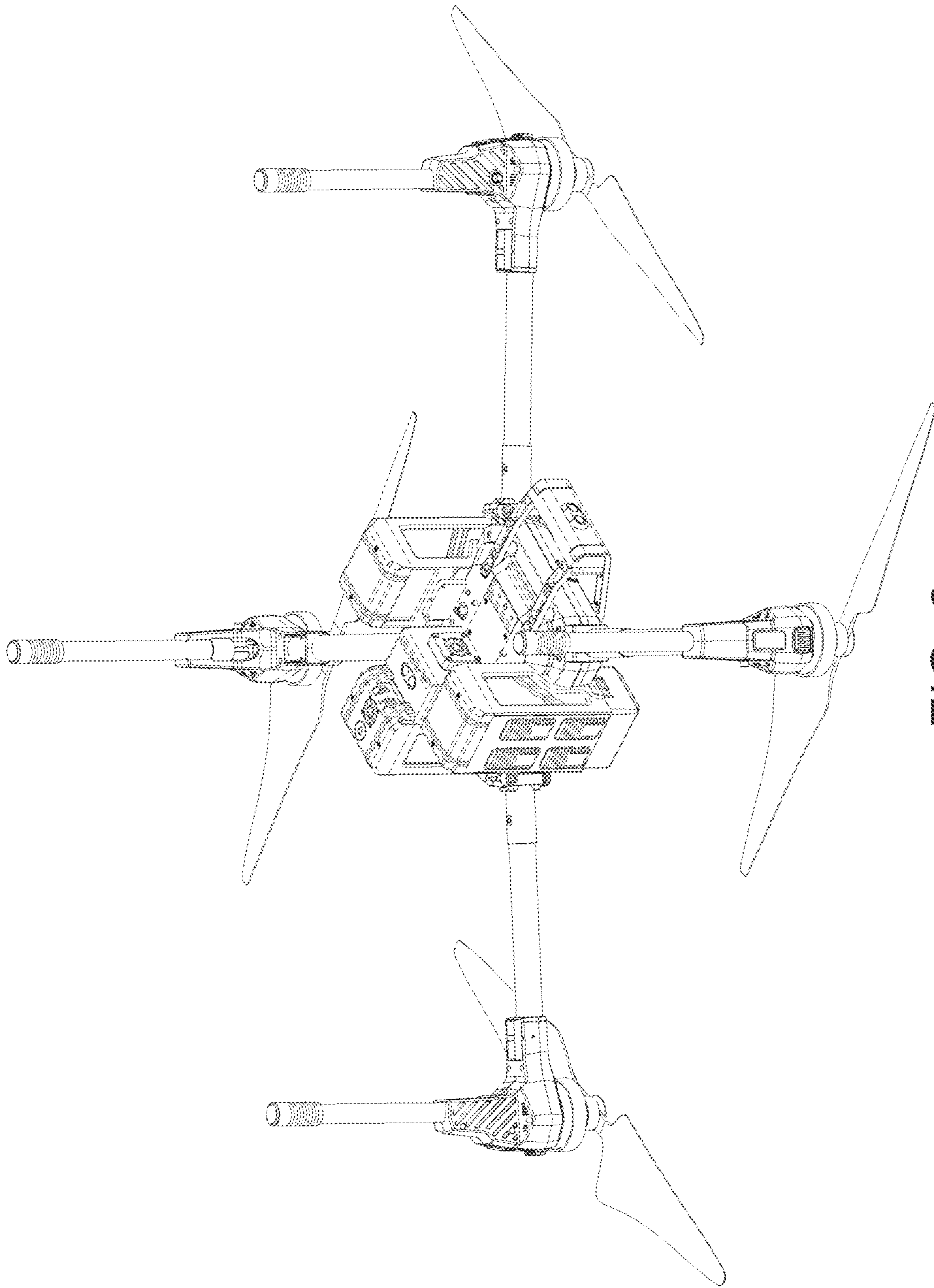


FIG. 9

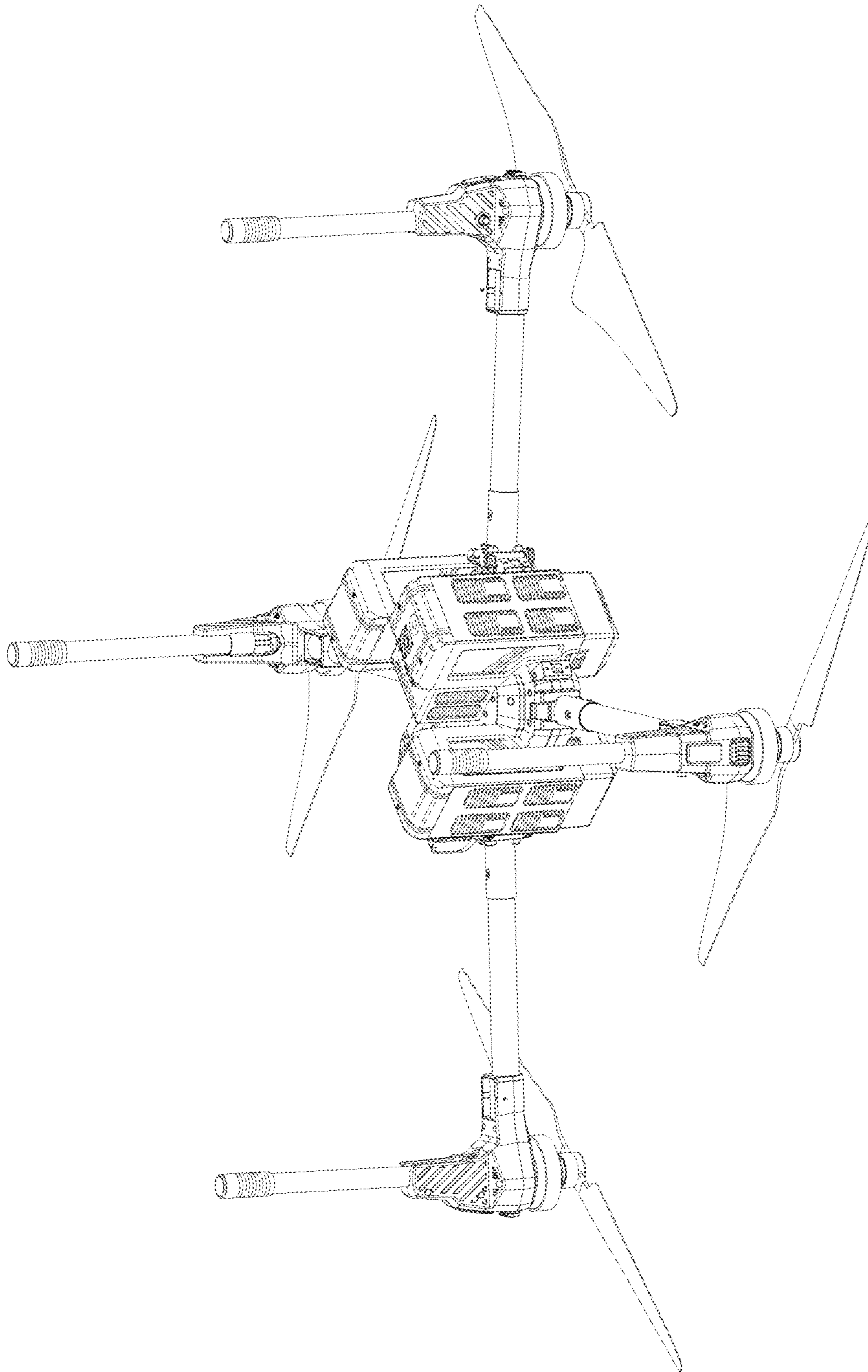


FIG. 10