



US00D892676S

(12) **United States Design Patent** (10) **Patent No.:** **US D892,676 S**  
**Hu et al.** (45) **Date of Patent:** **\*\* Aug. 11, 2020**

(54) **POWERED GOLF CAR**  
(71) Applicant: **JH Global Services, Inc.**, Simpsonville, SC (US)  
(72) Inventors: **Jun Hu**, Simpsonville, SC (US); **Thomas Limpo**, Fort Mill, SC (US)  
(73) Assignee: **JH Global Services, Inc.**, Simpsonville, SC (US)  
(\*\*) Term: **15 Years**  
(21) Appl. No.: **29/591,914**  
(22) Filed: **Jan. 25, 2017**  
(51) **LOC (12) Cl.** ..... **12-02**  
(52) **U.S. Cl.**  
USPC ..... **D12/16**  
(58) **Field of Classification Search**  
USPC ..... D12/14, 1, 87, 86, 433, 15, 16, 107, 82, D12/88, 89, 90, 91, 92, 93  
CPC .... B60R 2011/0005; B60R 2011/0003; B60N 3/101; B60N 3/105; B62D 21/183; B62D 31/003; B60L 2200/22  
See application file for complete search history.

D464,913 S 10/2002 Cerny, Jr. et al.  
D493,749 S 8/2004 Duncan  
D498,436 S 11/2004 Bonner et al.  
D498,704 S 11/2004 Bonner et al.  
D517,448 S 3/2006 Essig  
7,240,948 B1 7/2007 Houston  
D571,689 S \* 6/2008 Andrews ..... D12/16  
D584,187 S 1/2009 Rossello et al.  
D588,957 S \* 3/2009 Tuo ..... D12/16  
D589,398 S 3/2009 Tuo  
D600,593 S 9/2009 Hanson et al.  
7,585,010 B2 9/2009 Hardy et al.  
D606,899 S 12/2009 Gal et al.  
D617,681 S 6/2010 Tuo  
D639,208 S \* 6/2011 Li ..... D12/86  
D639,711 S 6/2011 Chartrand  
D640,596 S \* 6/2011 Zhang ..... D12/1

(Continued)

*Primary Examiner* — Ania Aman  
(74) *Attorney, Agent, or Firm* — Dority & Manning, P.A.

(57) **CLAIM**

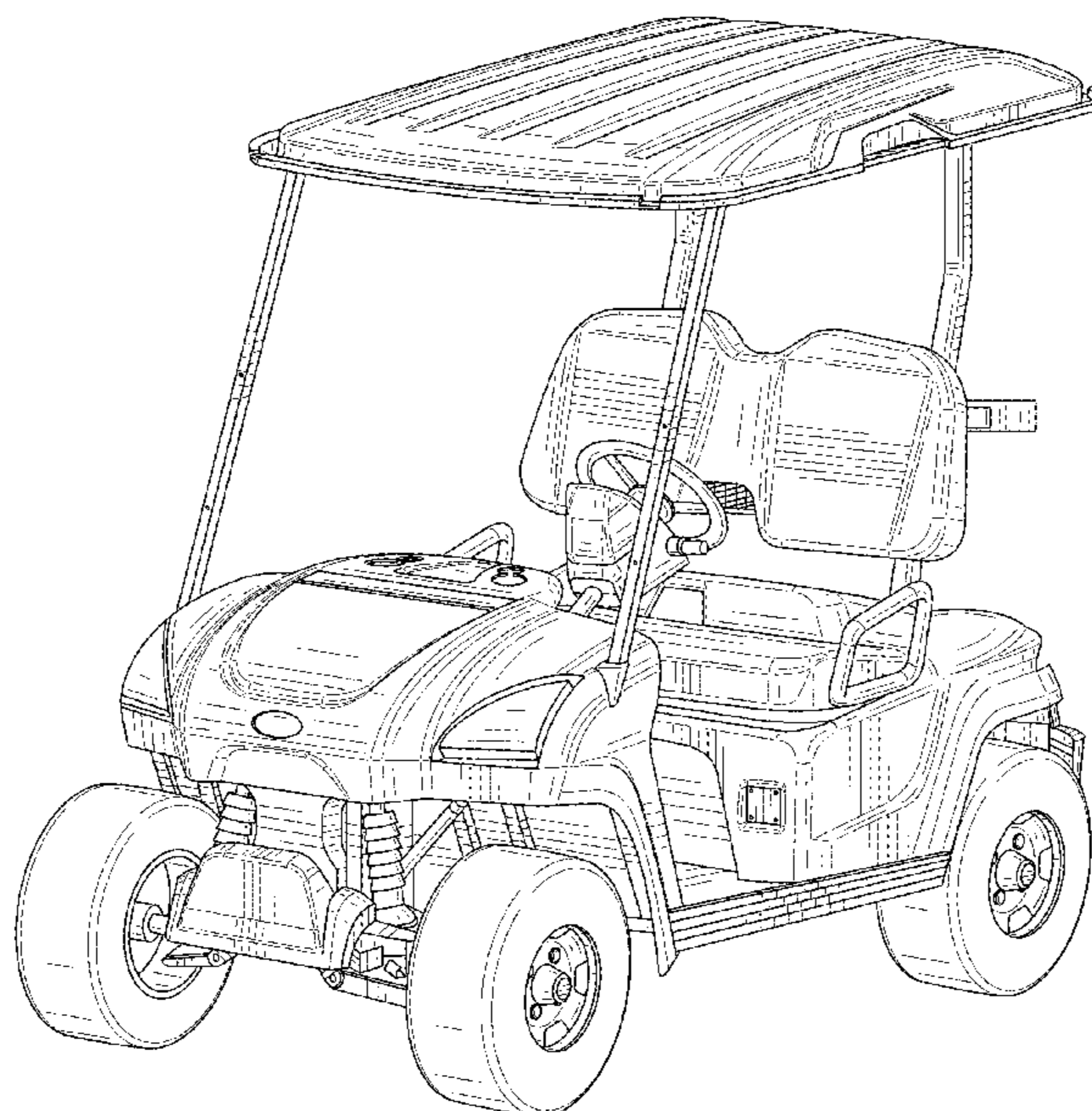
The ornamental design for a powered golf car, as shown and described.

**DESCRIPTION**

FIG. 1 is a perspective view of the powered golf car;  
FIG. 2 is a front elevation view of the golf car;  
FIG. 3 is a rear elevation view of the powered golf car;  
FIG. 4 is a left side (driver's side) elevation view of the powered golf car;  
FIG. 5 is a right side (passenger's side) elevation view of the powered golf car;  
FIG. 6 is a top plan view of the powered golf car;  
FIG. 7 is a bottom plan view of the powered golf car; and,  
FIG. 8 is a rear perspective view of the powered golf car.  
The broken lines shown in the drawings are for the purpose of illustrating portions of the article and form no part of the claimed design.

**1 Claim, 8 Drawing Sheets**

(56) **References Cited**  
U.S. PATENT DOCUMENTS  
D226,079 S 1/1973 Gifford  
3,777,836 A 12/1973 Riza  
D242,439 S 11/1976 Gervais  
D255,111 S 5/1980 Palmer  
D275,380 S 9/1984 Flowers, Sr.  
D301,128 S 5/1989 Simon  
4,852,898 A 8/1989 Donoghue et al.  
D337,553 S 7/1993 Valentine et al.  
5,727,642 A 3/1998 Abbott  
5,788,524 A 8/1998 Davis  
D437,364 S 2/2001 Jang  
D464,289 S 10/2002 Jager



(56)

**References Cited**

U.S. PATENT DOCUMENTS

|              |     |         |                 |        |
|--------------|-----|---------|-----------------|--------|
| 7,954,838    | B1  | 6/2011  | Long            |        |
| D646,201     | S   | 10/2011 | Zhang           |        |
| D652,349     | S   | 1/2012  | Kristensen      |        |
| D694,669     | S   | 12/2013 | Schwenk         |        |
| D721,012     | S * | 1/2015  | Zhang .....     | D12/16 |
| D746,174     | S   | 12/2015 | Storms          |        |
| D753,021     | S   | 4/2016  | Allen           |        |
| D859,210     | S * | 9/2019  | Lyons .....     | D12/16 |
| 2005/0224539 | A1  | 10/2005 | Hardy et al.    |        |
| 2006/0151224 | A1  | 7/2006  | Vasser          |        |
| 2006/0180383 | A1  | 8/2006  | Bataille et al. |        |
| 2006/0230869 | A1  | 10/2006 | Cosby et al.    |        |
| 2010/0314179 | A1  | 12/2010 | Gibson          |        |

\* cited by examiner

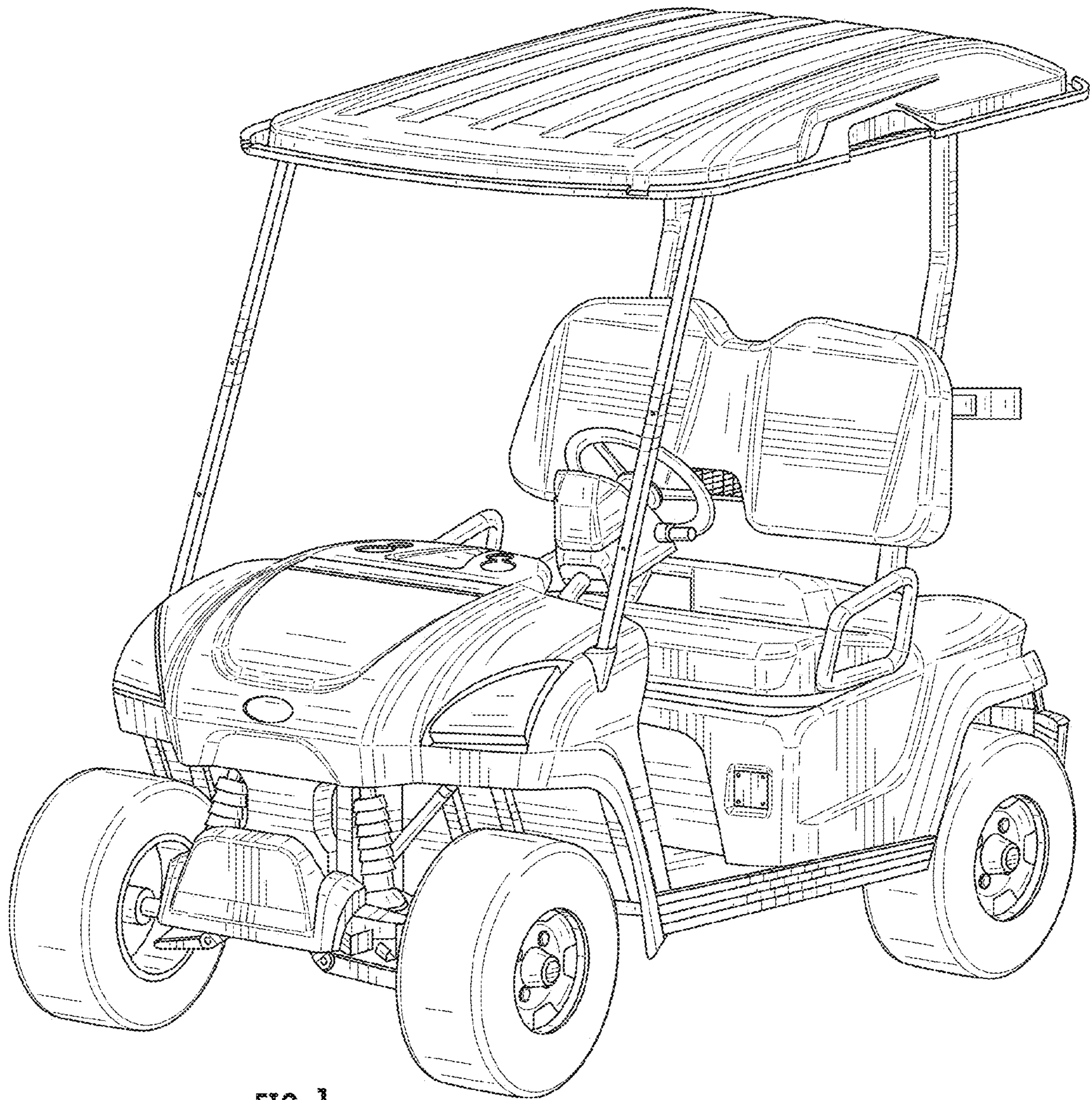


FIG. 1

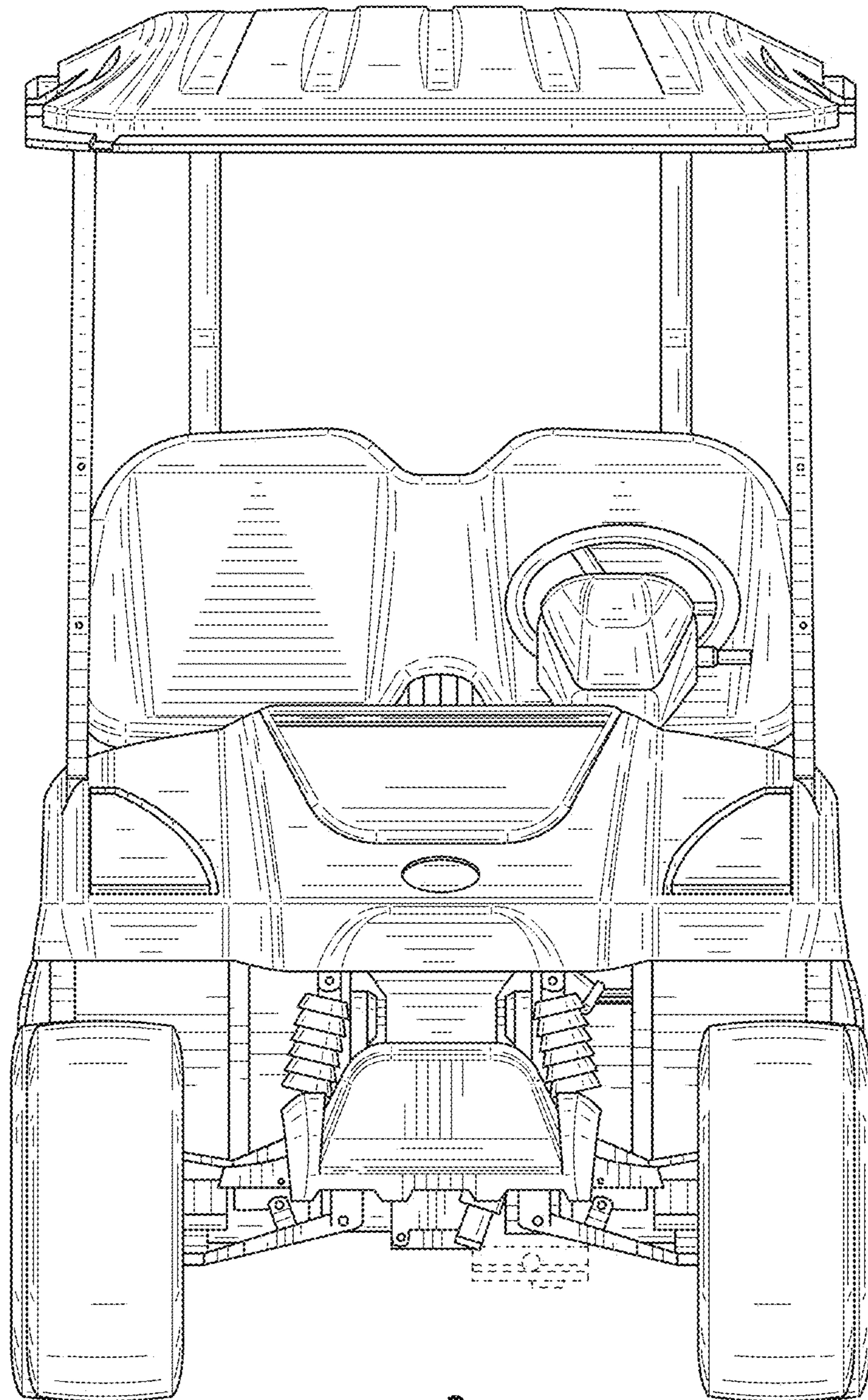


FIG. 2

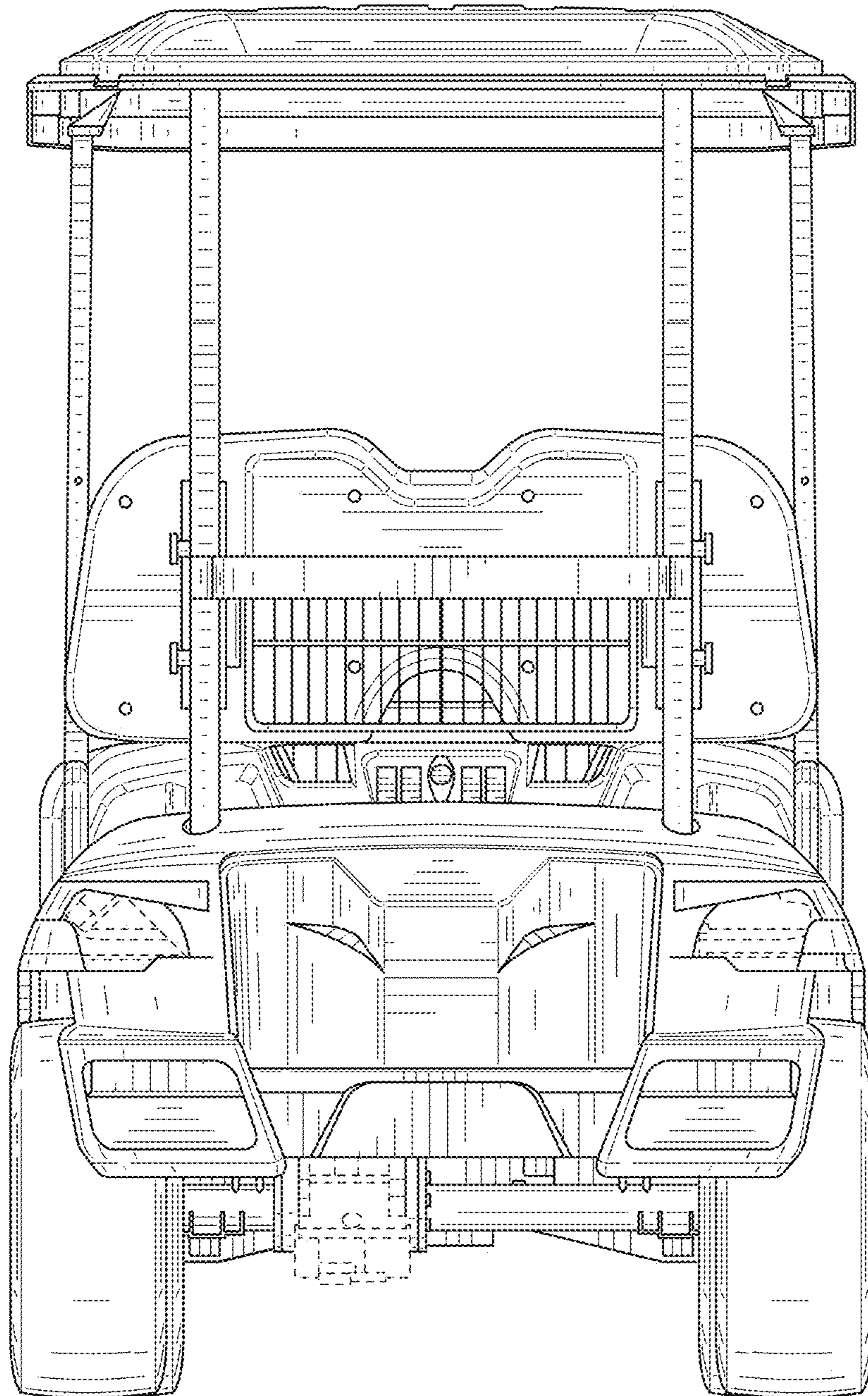


FIG. 3

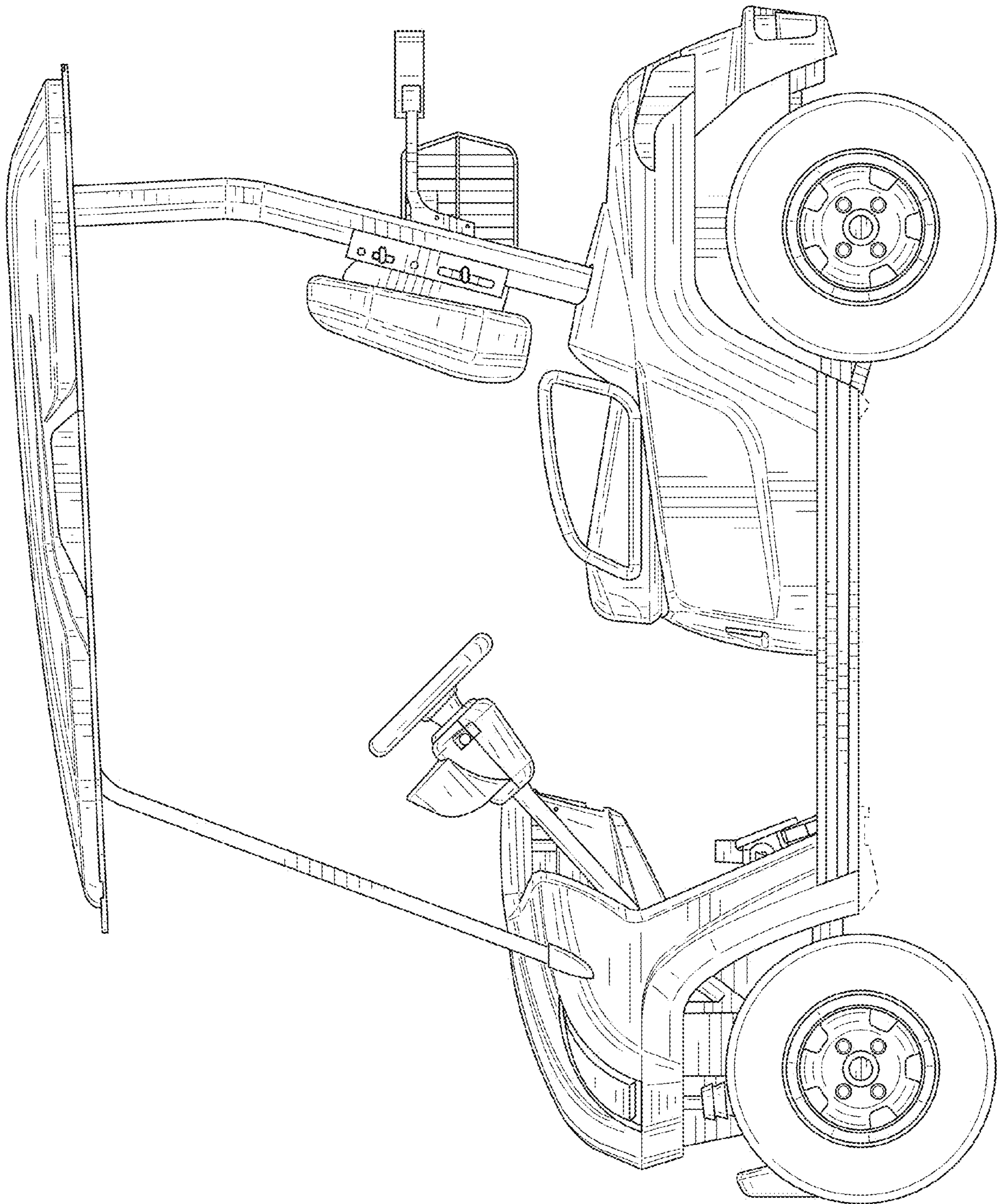


FIG. 4

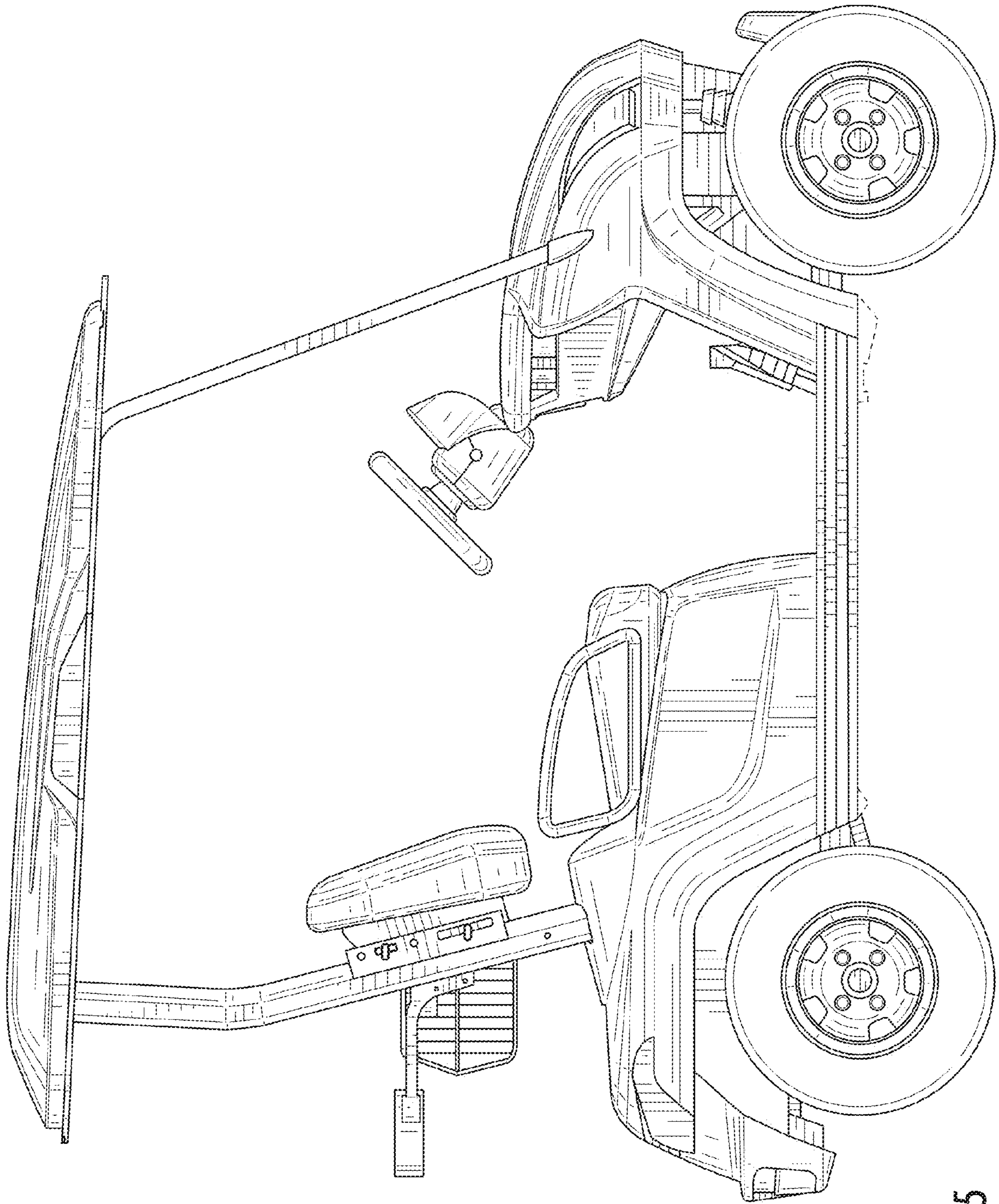


FIG. 5

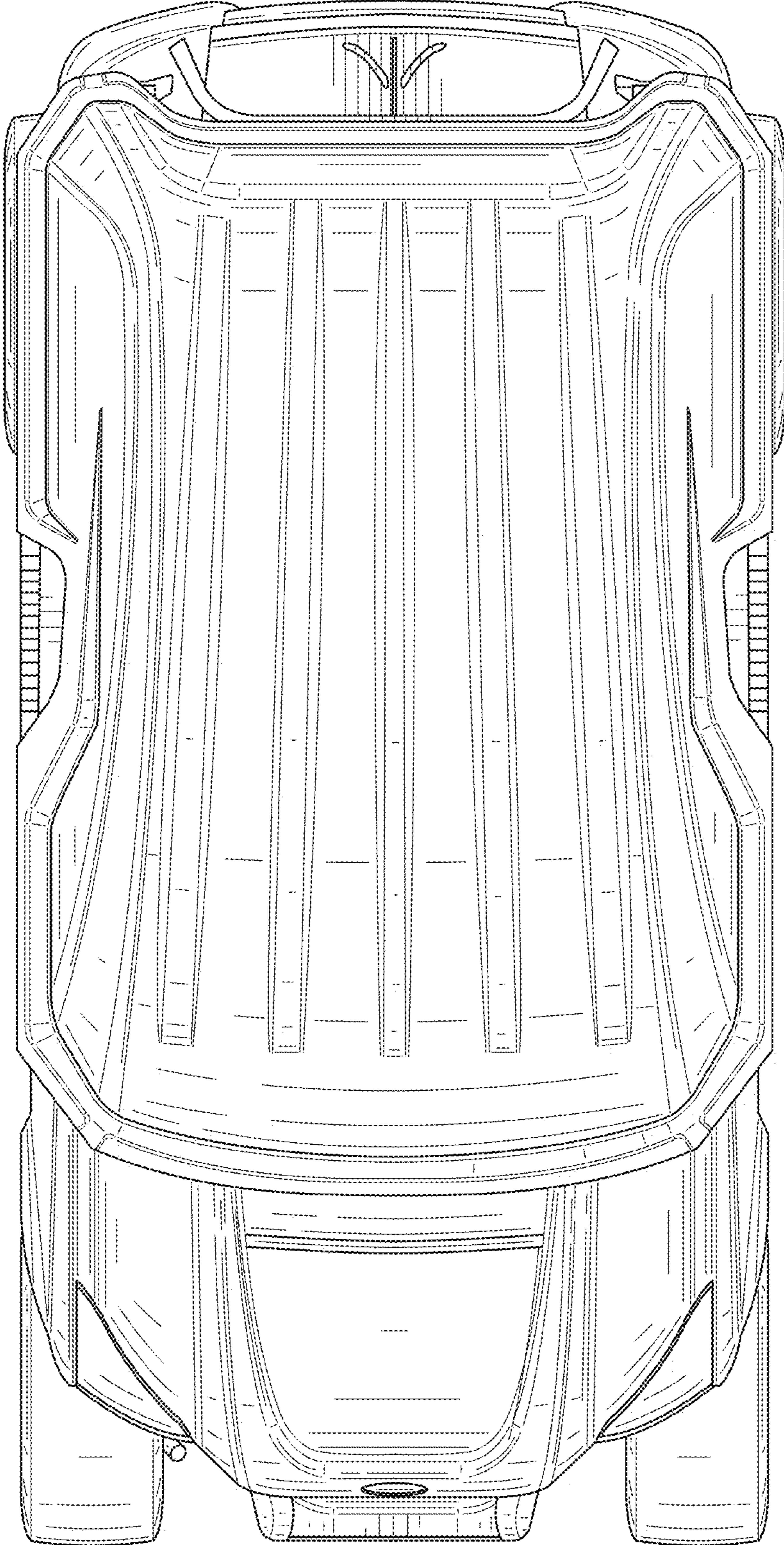


FIG. 6



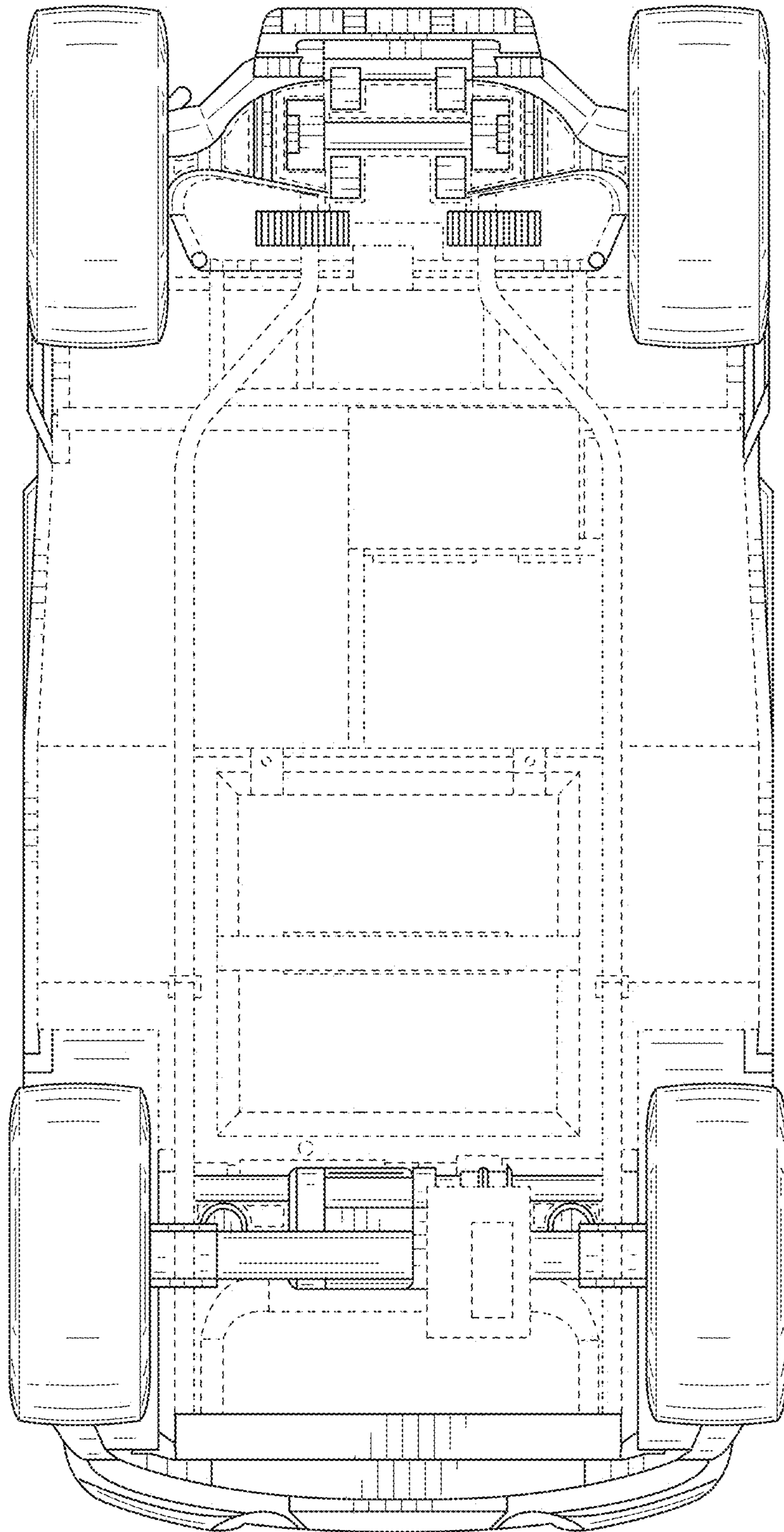


FIG. 7

