



US00D892675S

(12) **United States Design Patent**
Chan

(10) **Patent No.:** **US D892,675 S**

(45) **Date of Patent:** **** Aug. 11, 2020**

(54) **SNAP BUTTON**

(71) Applicant: **Duraflex Hong Kong Limited**, Hong Kong (HK)

(72) Inventor: **Man Chak Chan**, Hong Kong (HK)

(73) Assignee: **Duraflex Hong Kong Limited**, Hong Kong (HK)

(**) Term: **15 Years**

(21) Appl. No.: **29/688,689**

(22) Filed: **Apr. 23, 2019**

(30) **Foreign Application Priority Data**

Oct. 23, 2018 (CN) 2018 3 0592760

(51) **LOC (12) Cl.** **11-07**

(52) **U.S. Cl.**
USPC **D11/220**

(58) **Field of Classification Search**
USPC D11/1-25.43, 86, 87, 220

(Continued)

(56) **References Cited**

U.S. PATENT DOCUMENTS

D466,439 S * 12/2002 Wagner D11/220

D642,089 S * 7/2011 Chan D11/220

(Continued)

Primary Examiner — Zenia I Bennett

(57) **CLAIM**

The ornamental design for a snap button, as shown and described.

DESCRIPTION

FIG. 1 is a front elevational view of the male portion of a snap button showing my new design;

FIG. 2 is a rear elevational view of FIG. 1;

FIG. 3 is a left side view of FIG. 1;

FIG. 4 is a right side view of FIG. 1;

FIG. 5 is a top plan view of FIG. 1;

FIG. 6 is a bottom plan view of FIG. 1;

FIG. 7 is a top, front and left side perspective view of FIG. 1;

FIG. 8 is a top, front and right side perspective view of FIG. 1;

FIG. 9 is a top, rear and right side perspective view of FIG. 1;

FIG. 10 is a top, rear and left side perspective view of FIG. 1;

FIG. 11 is a front elevational view of the female portion of the snap button;

FIG. 12 is a rear elevational view of FIG. 11;

FIG. 13 is a left side view of FIG. 11;

FIG. 14 is a right side view of FIG. 11;

FIG. 15 is a bottom plan view of FIG. 11;

FIG. 16 is a top plan view of FIG. 11;

FIG. 17 is a top, front and right side perspective view of FIG. 11;

FIG. 18 is a top, front and left side perspective view of FIG. 11;

FIG. 19 is a top, rear and left side perspective view of FIG. 11;

FIG. 20 is a top, rear and right side perspective view of FIG. 11;

FIG. 21 is a front elevational view of the snap button;

FIG. 22 is a rear elevational view of FIG. 21;

FIG. 23 is a left side view of FIG. 21;

FIG. 24 is a right side view of FIG. 21;

FIG. 25 is a bottom plan view of FIG. 21;

FIG. 26 is a top plan view of FIG. 21;

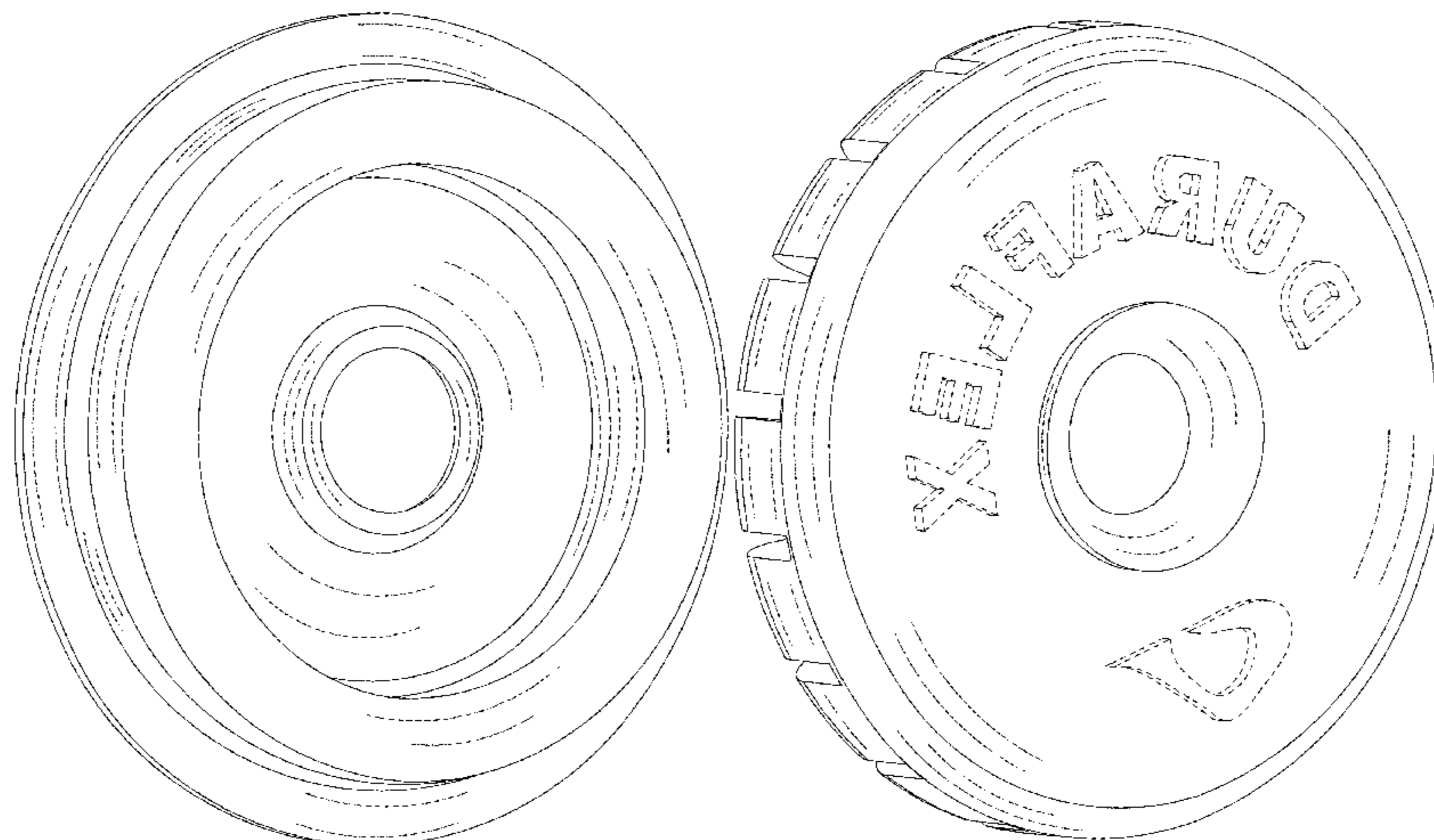
FIG. 27 is a top, front and left side perspective view of FIG. 21;

FIG. 28 is a top, front and right side perspective view of FIG. 21;

FIG. 29 is a top, rear and right side perspective view of FIG. 21; and,

FIG. 30 is a top, rear and left side perspective view of FIG. 21.

(Continued)



The broken lines in the drawings illustrate portions of the snap button which form no part of the claimed design.

1 Claim, 30 Drawing Sheets

(58) Field of Classification Search

CPC .. A44C 1/00; A44C 7/00; A44C 7/002; A44C
7/003; A44B 7/00; A44B 7/0005; A44B
7/0017; A44B 7/0023; A44B 7/0029;
A44B 7/0035; A44B 7/0041; A44B
7/0058; A44B 7/0064

See application file for complete search history.

(56) References Cited

U.S. PATENT DOCUMENTS

D728,420	S	*	5/2015	Leung	D11/220
D840,871	S	*	2/2019	Leung	D11/220
D860,045	S	*	9/2019	Oakley	A63F 9/0669
						D11/220
D880,352	S	*	4/2020	Chan	D11/220

* cited by examiner

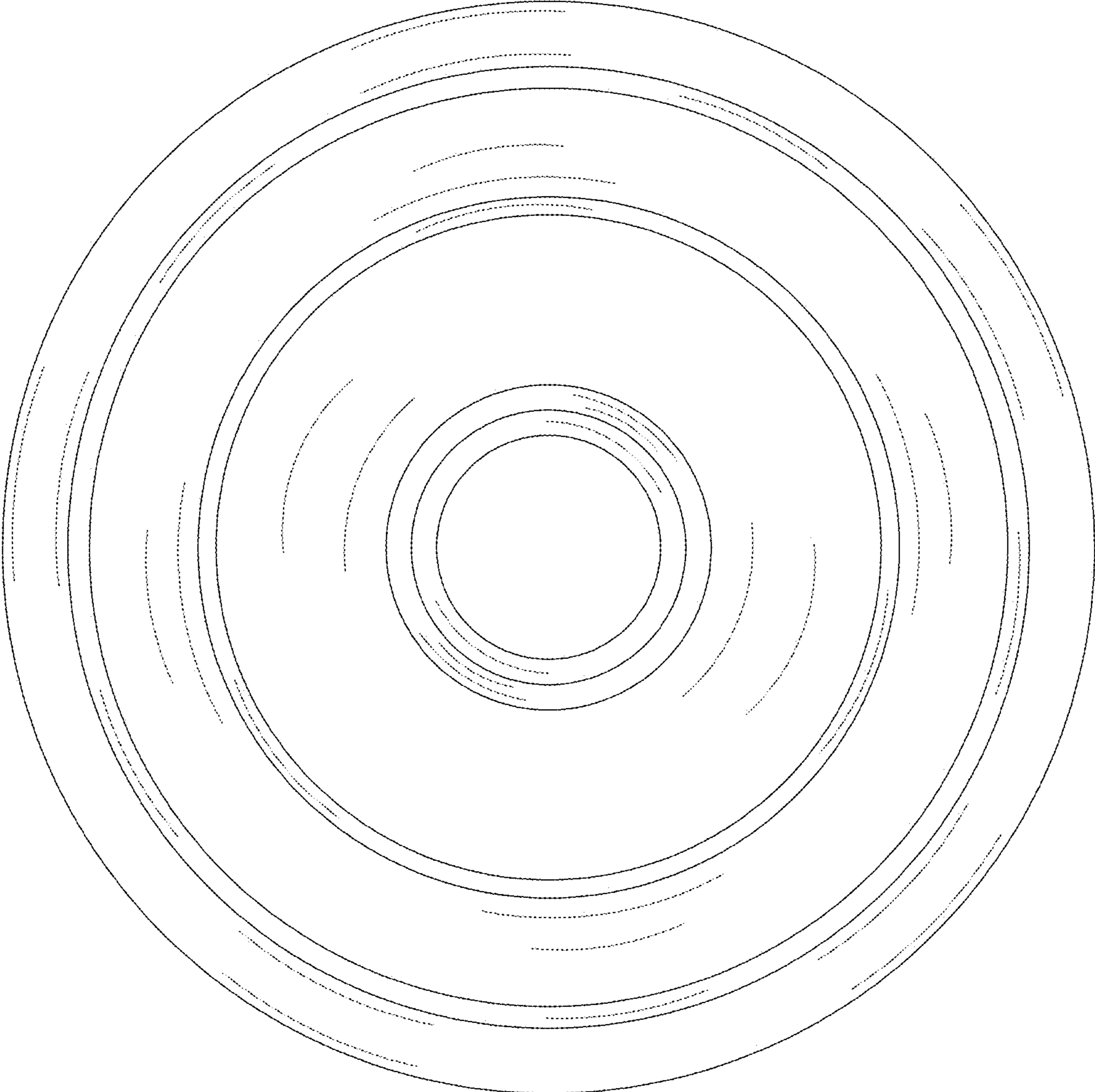


Fig. 1

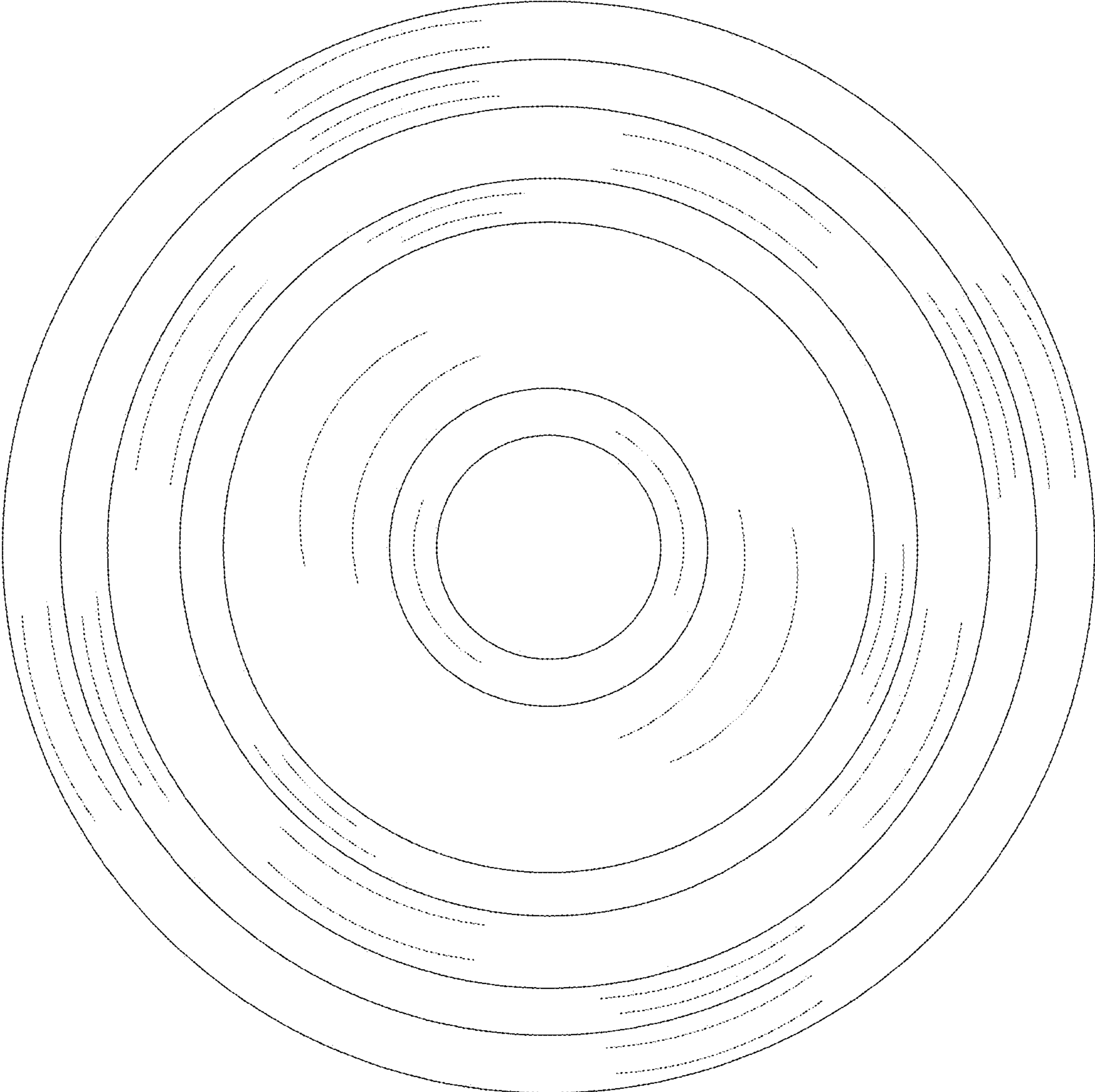


Fig. 2

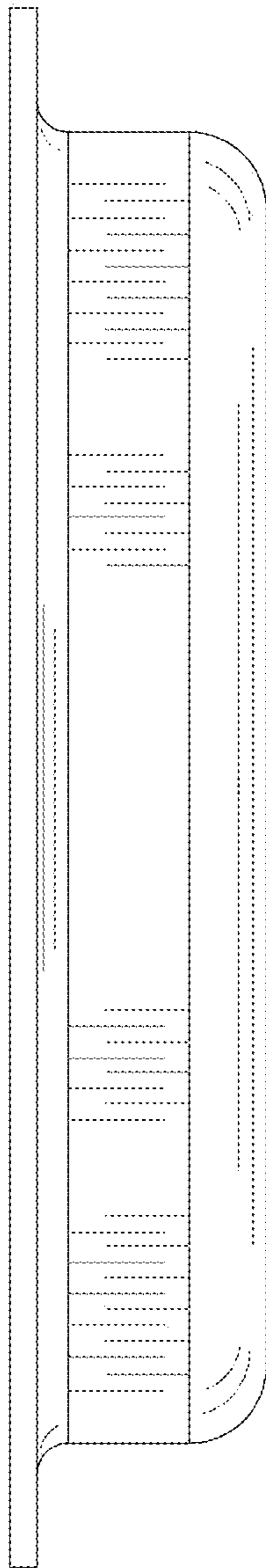


Fig. 3

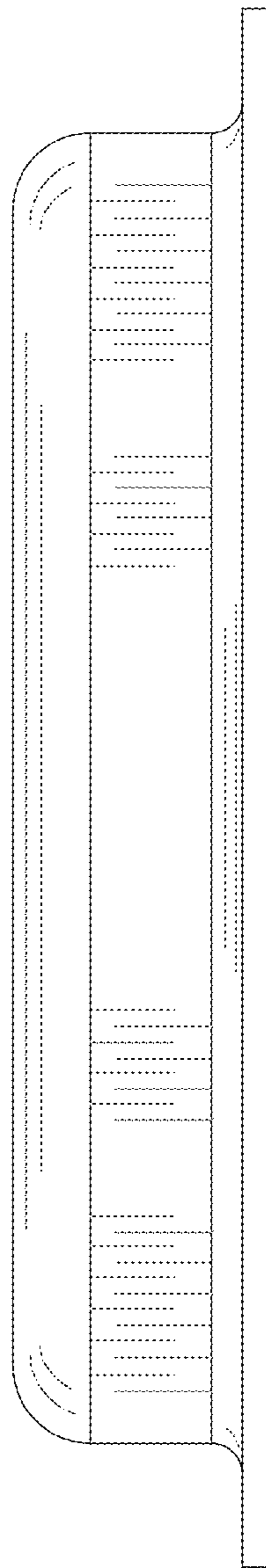


Fig. 4

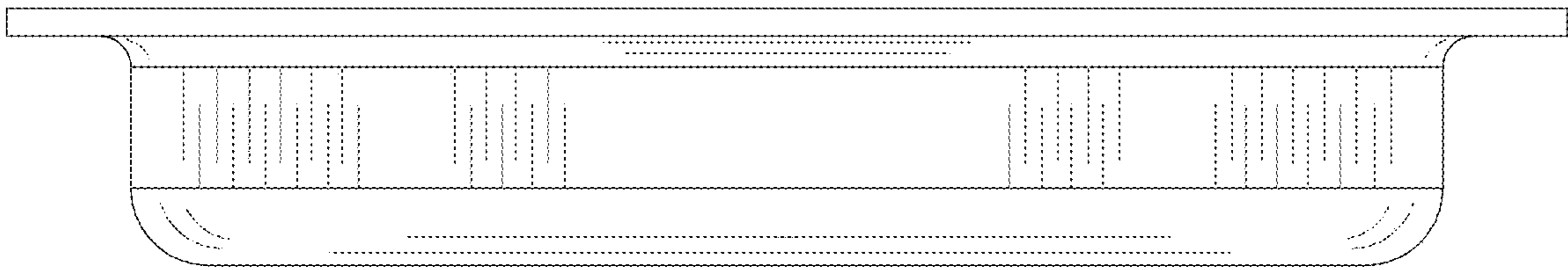


Fig. 5

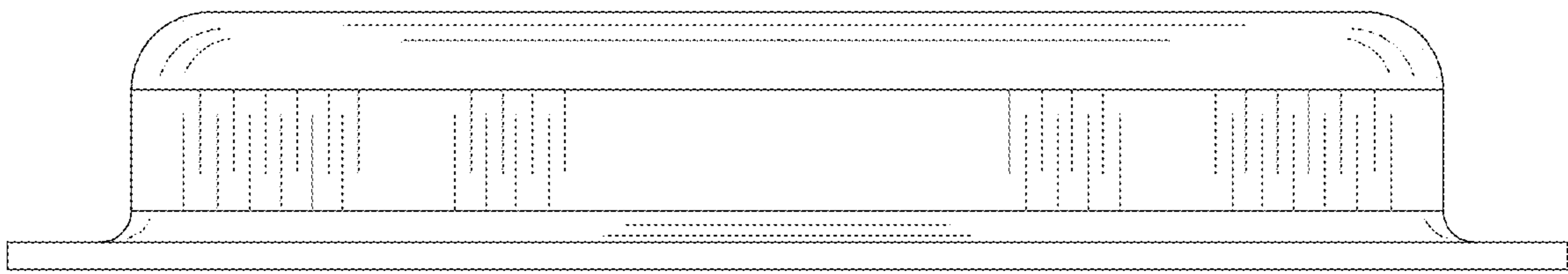


Fig. 6

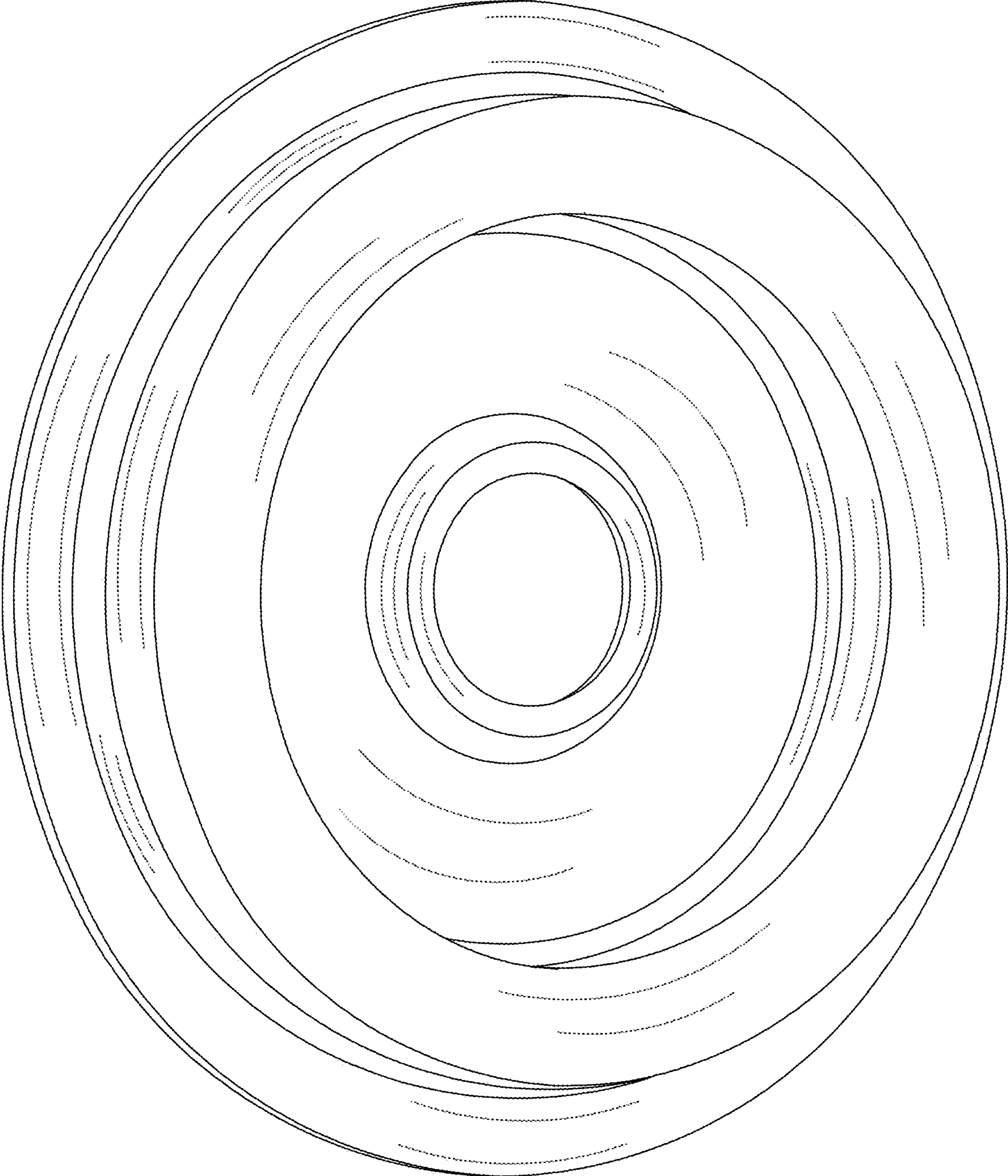


Fig. 7

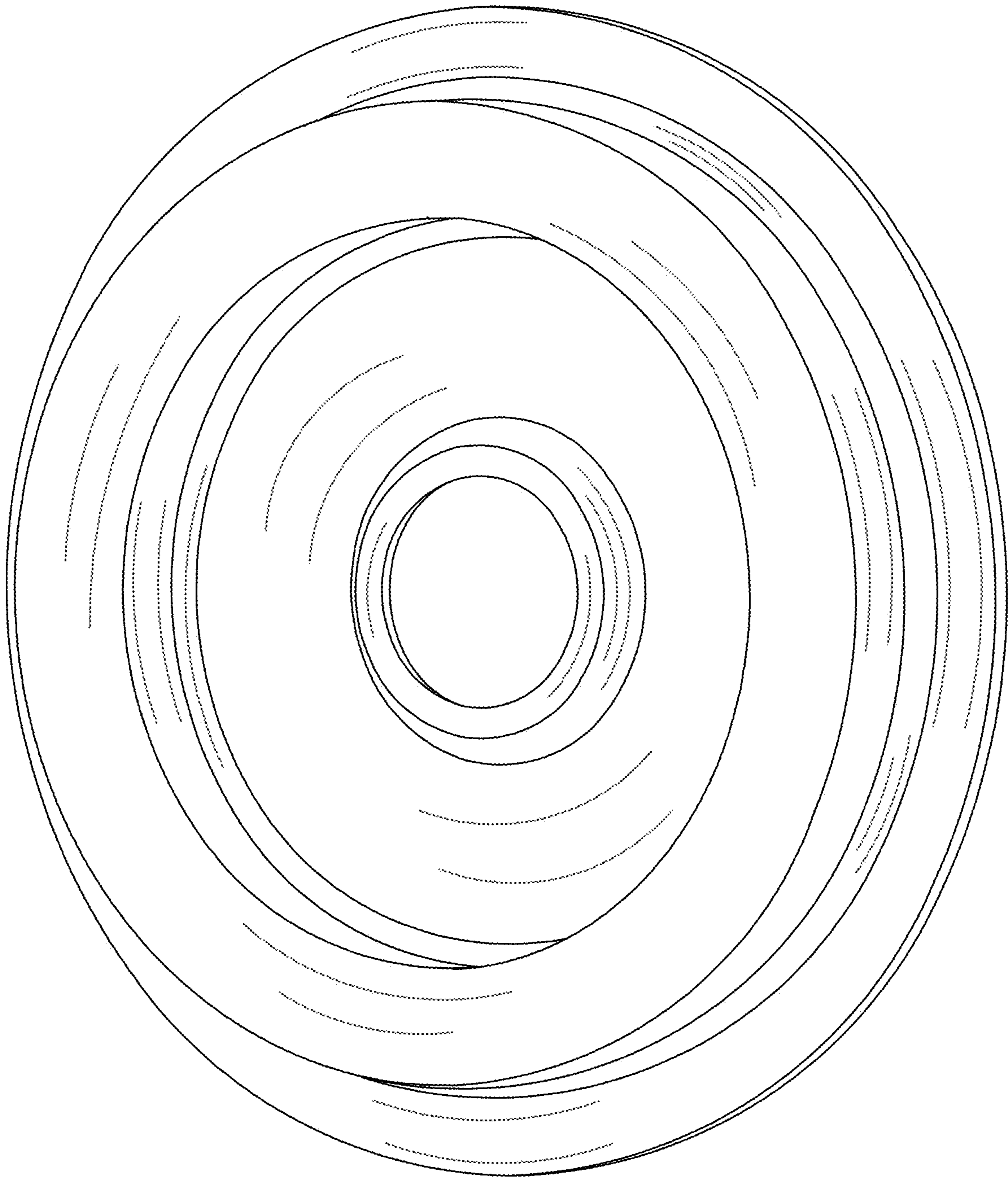


Fig. 8

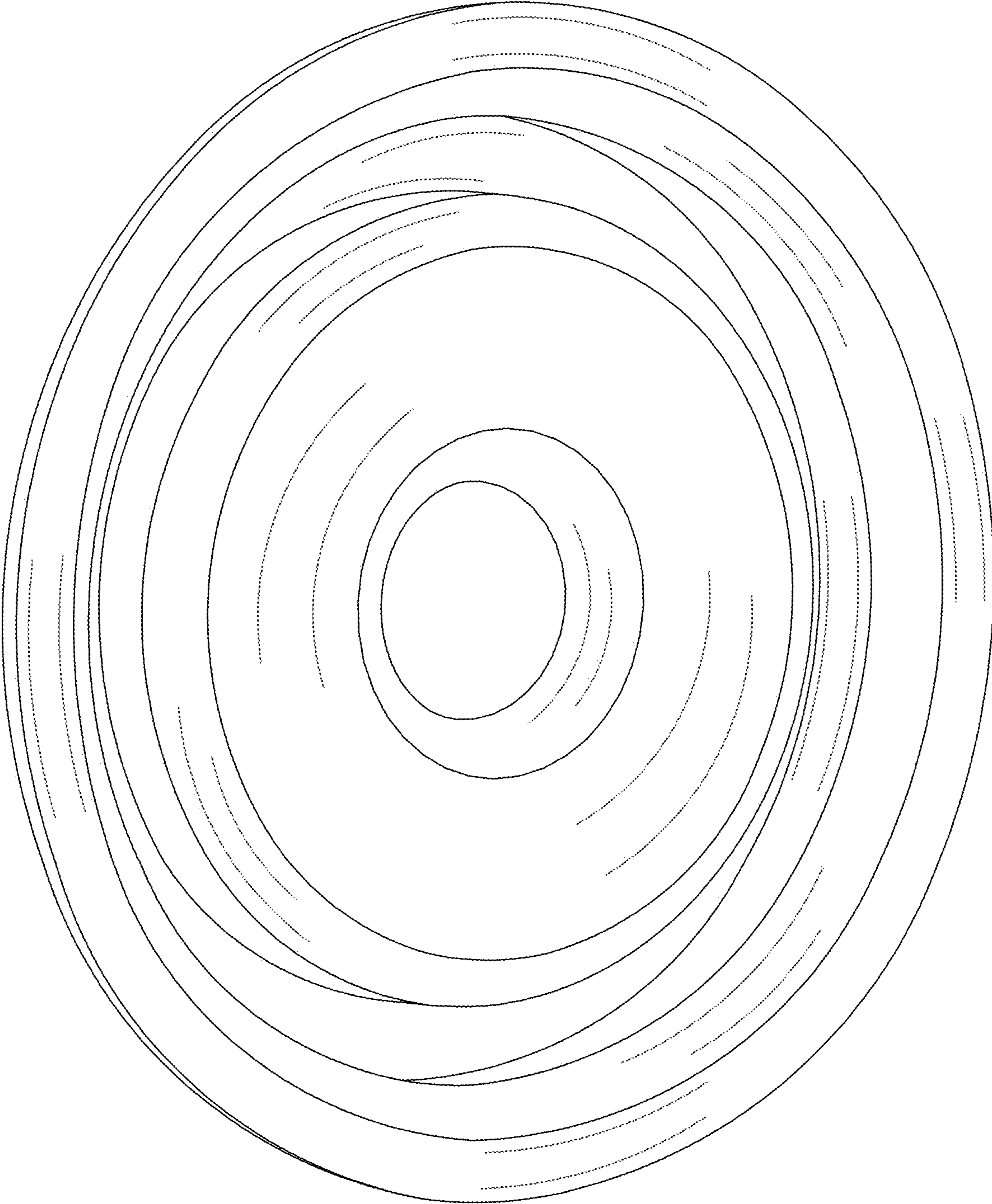


Fig.9

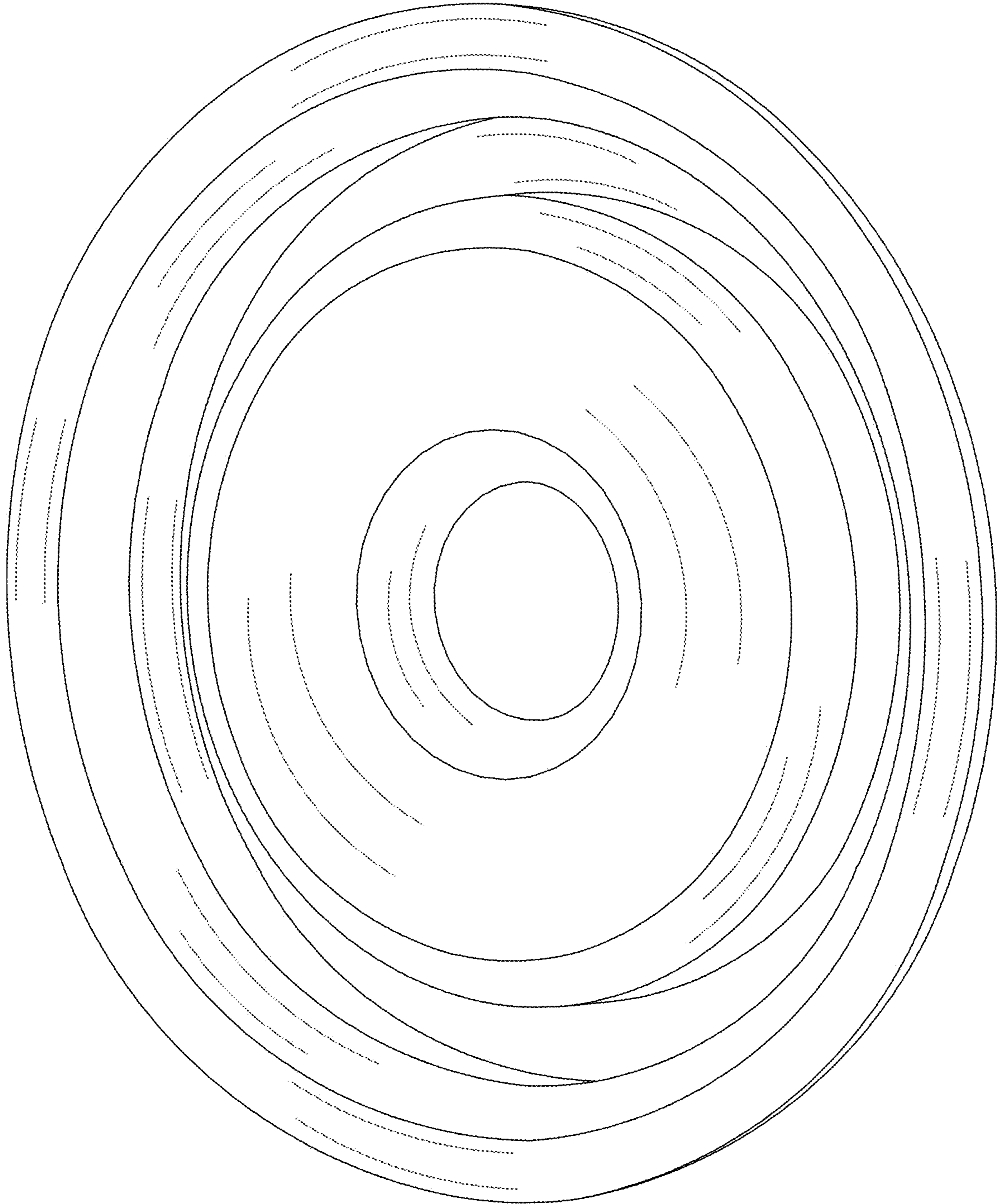


Fig. 10



Fig. 11

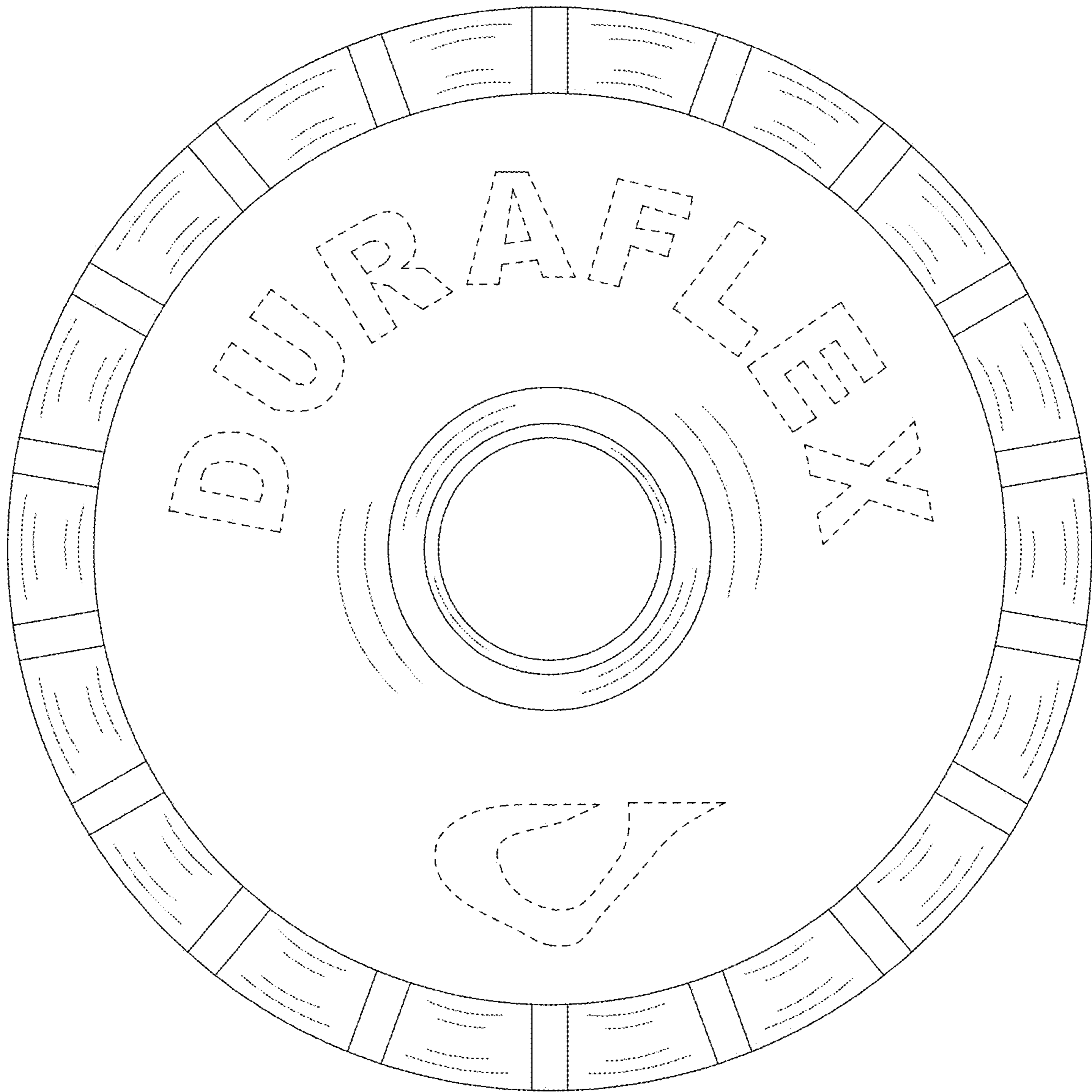


Fig. 12

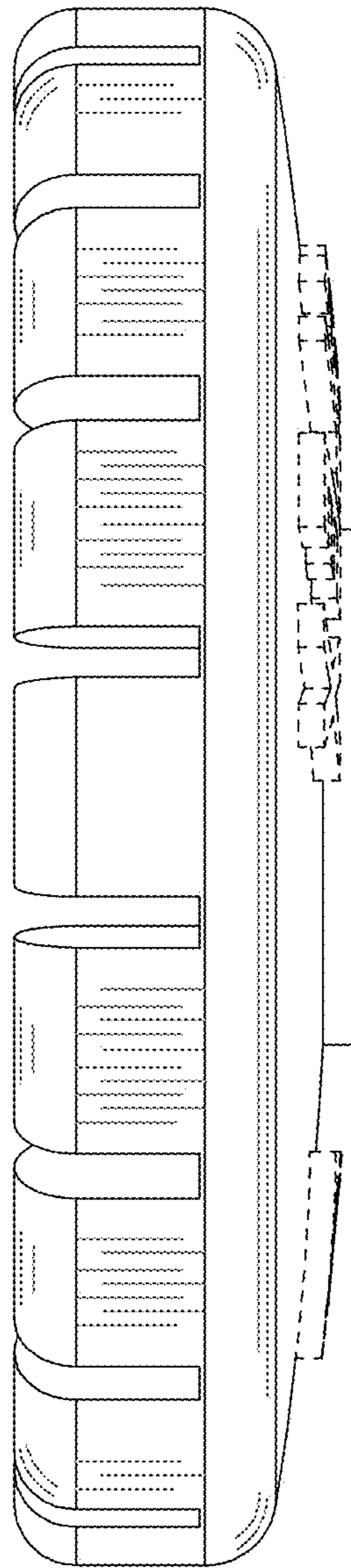


Fig. 13

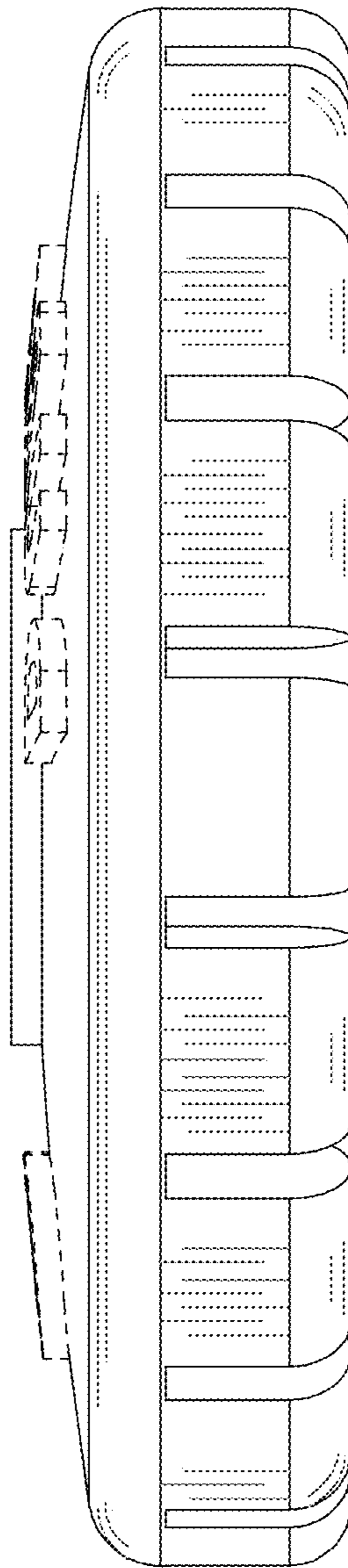


Fig. 14

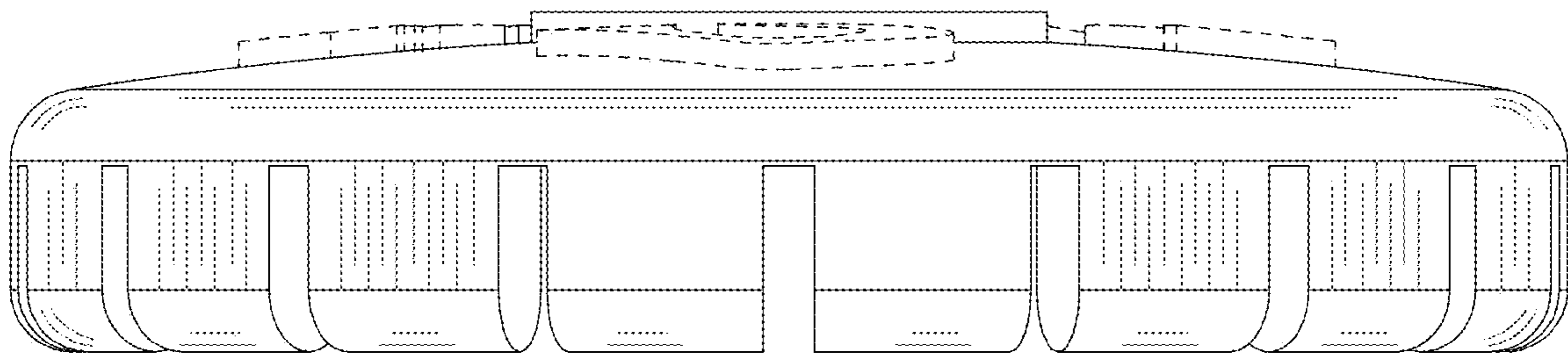


Fig. 15

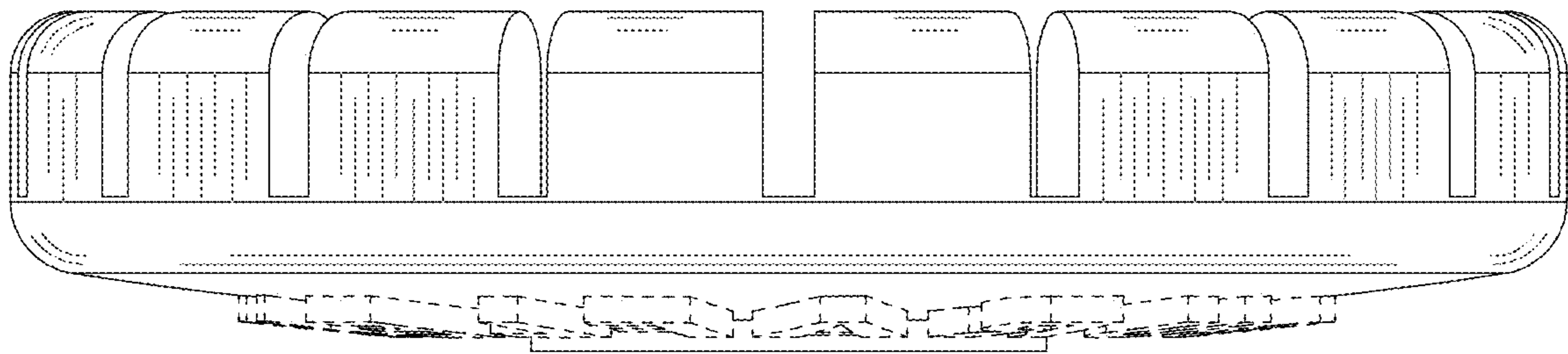


Fig. 16



Fig. 17

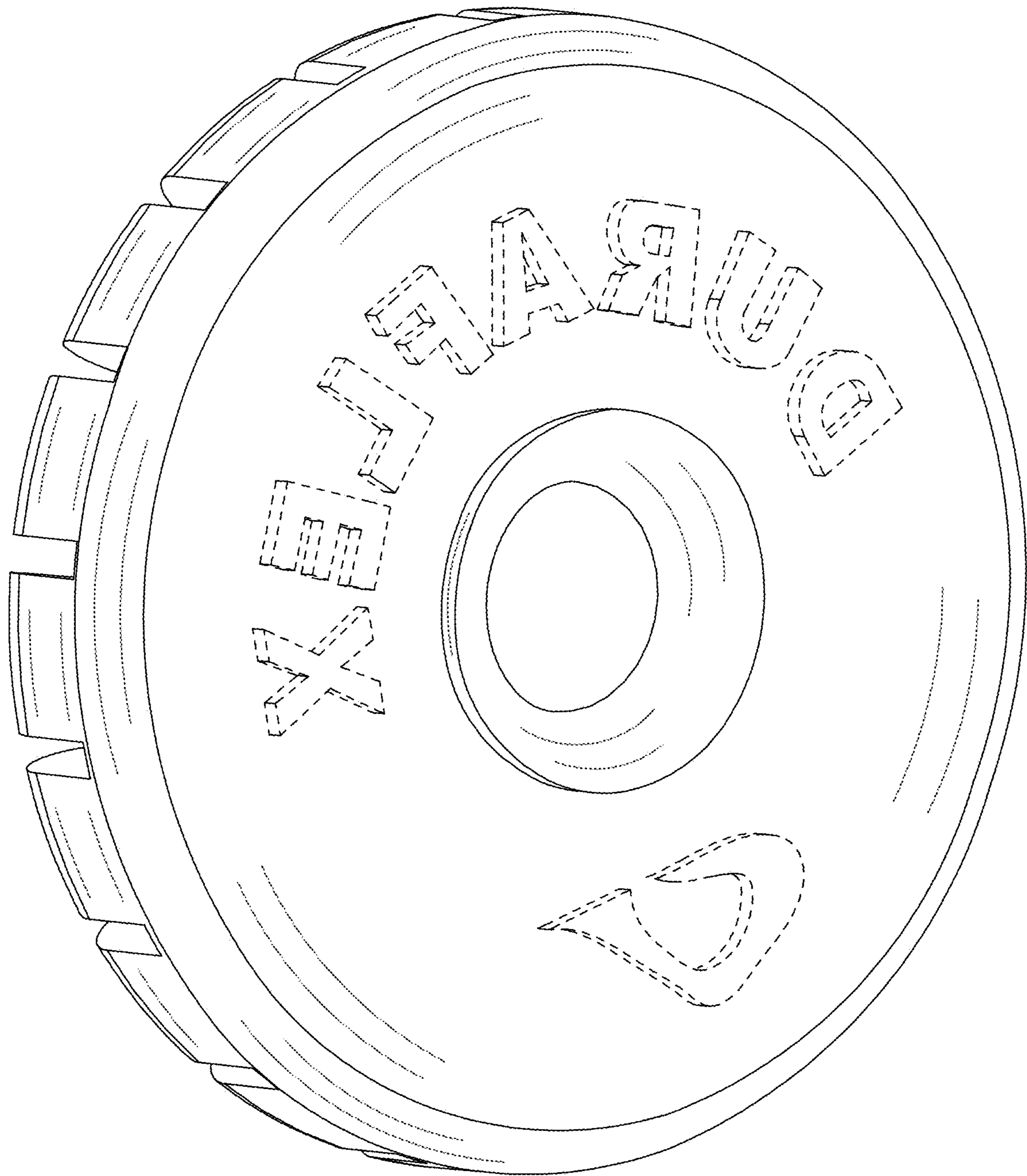


Fig. 18

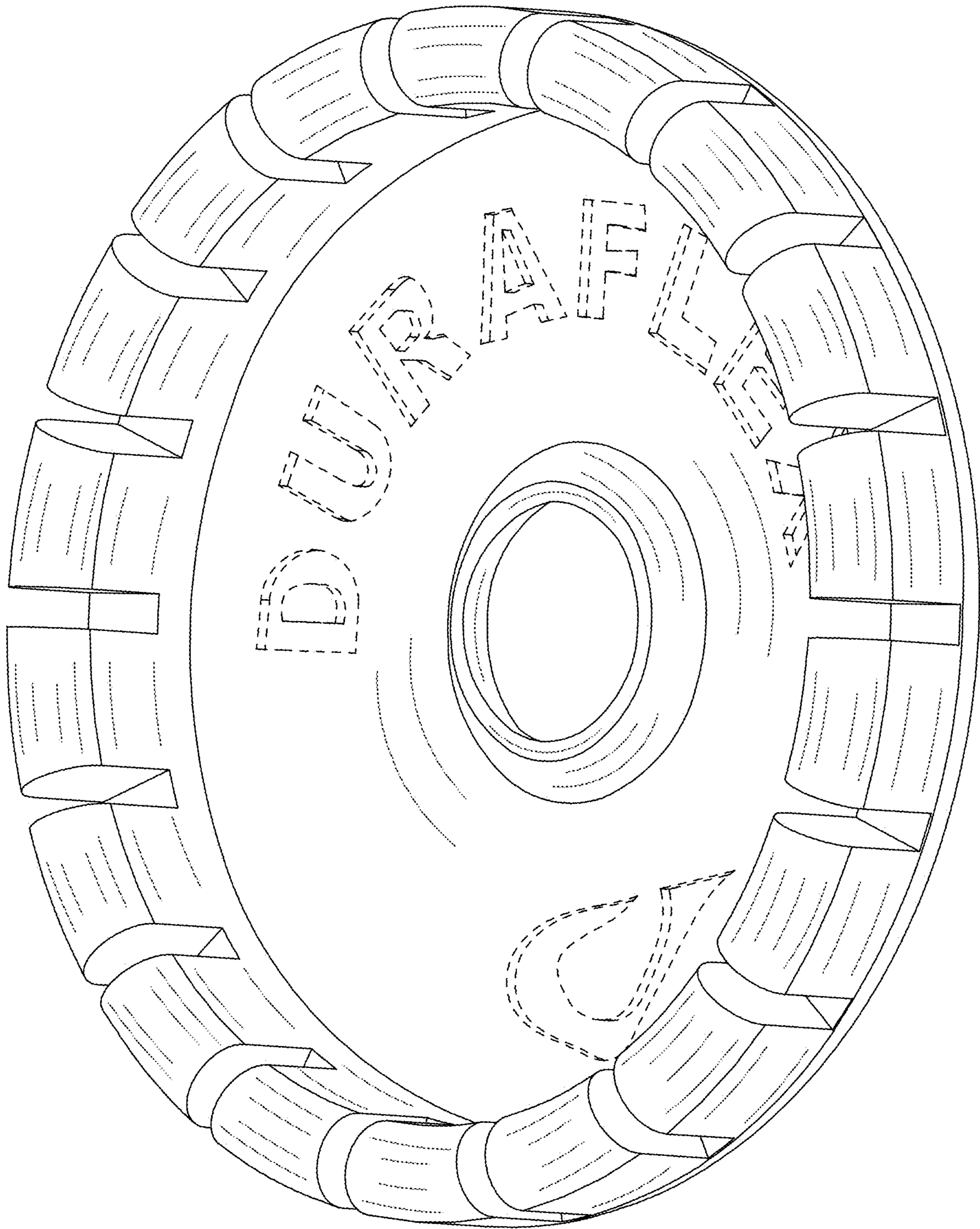


Fig. 19

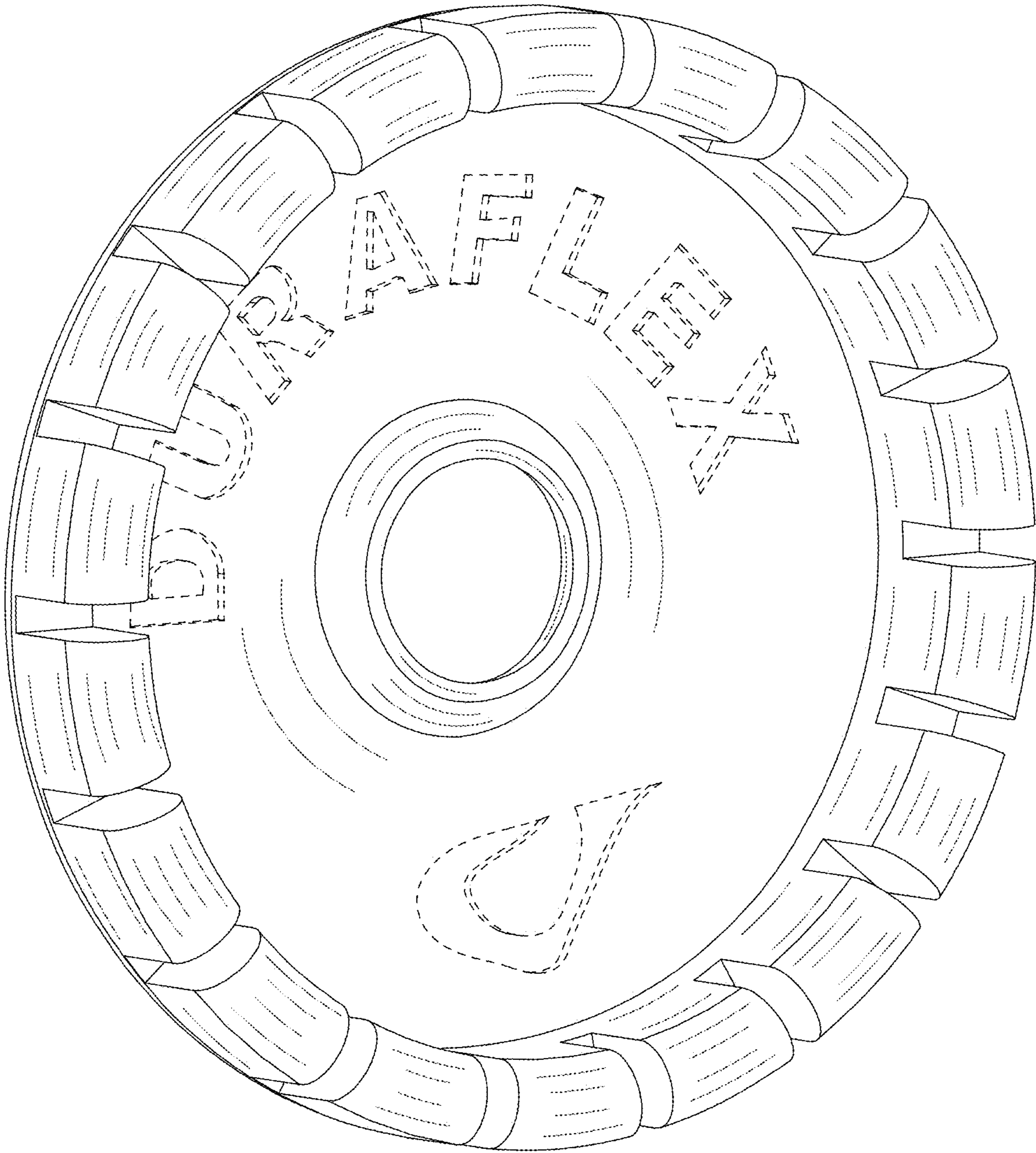


Fig. 20



Fig. 21

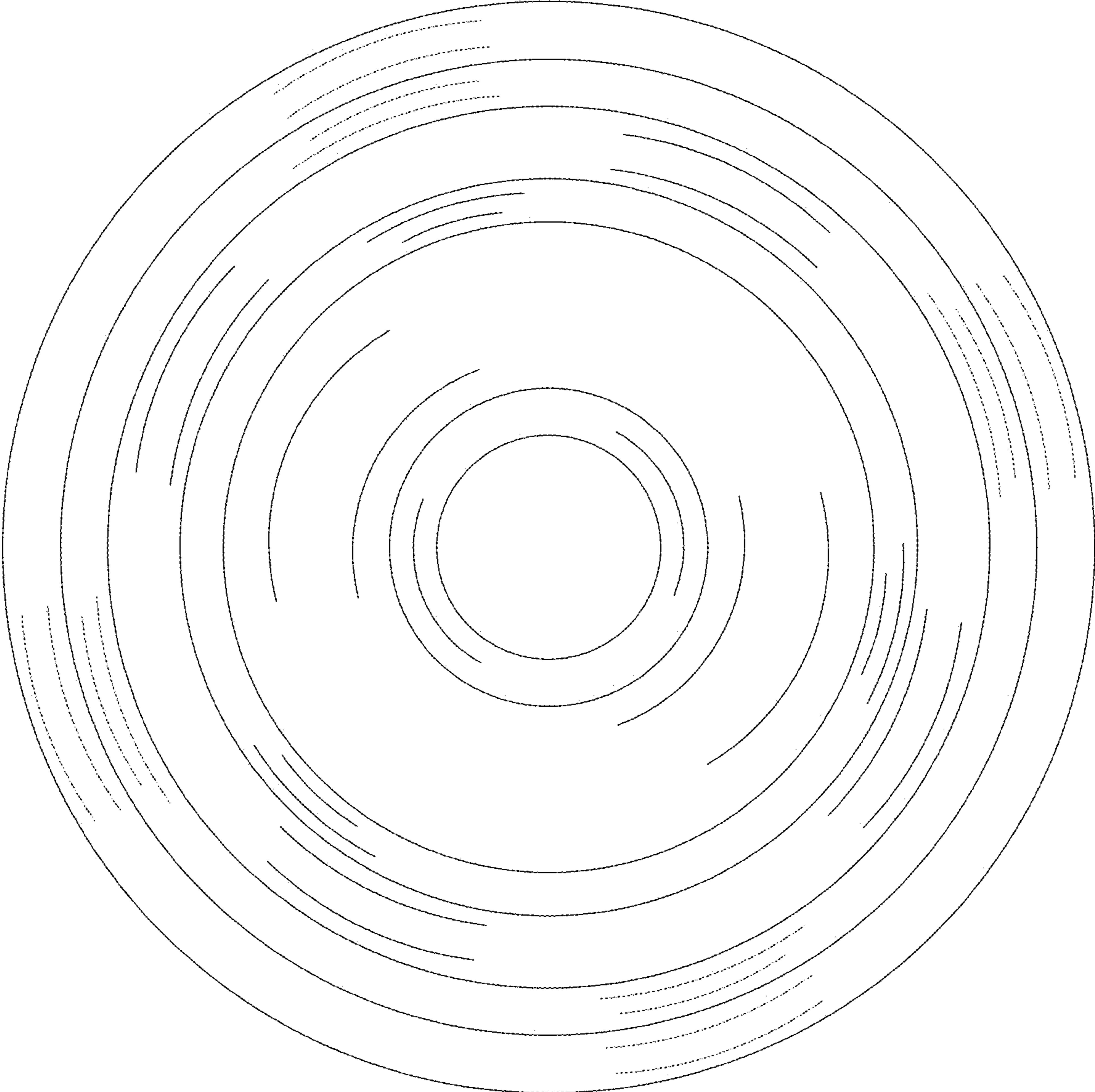


Fig. 22

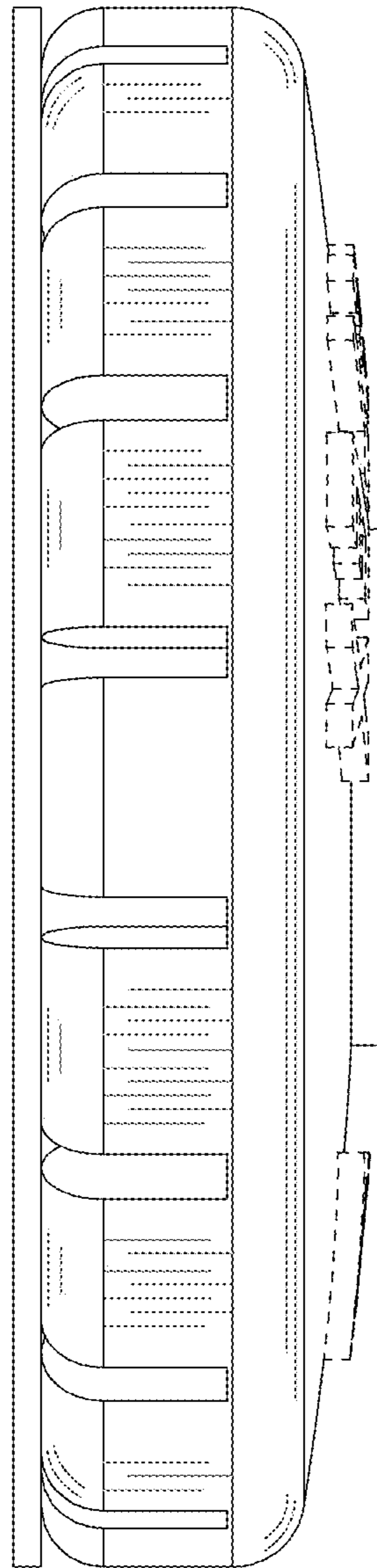


Fig. 23

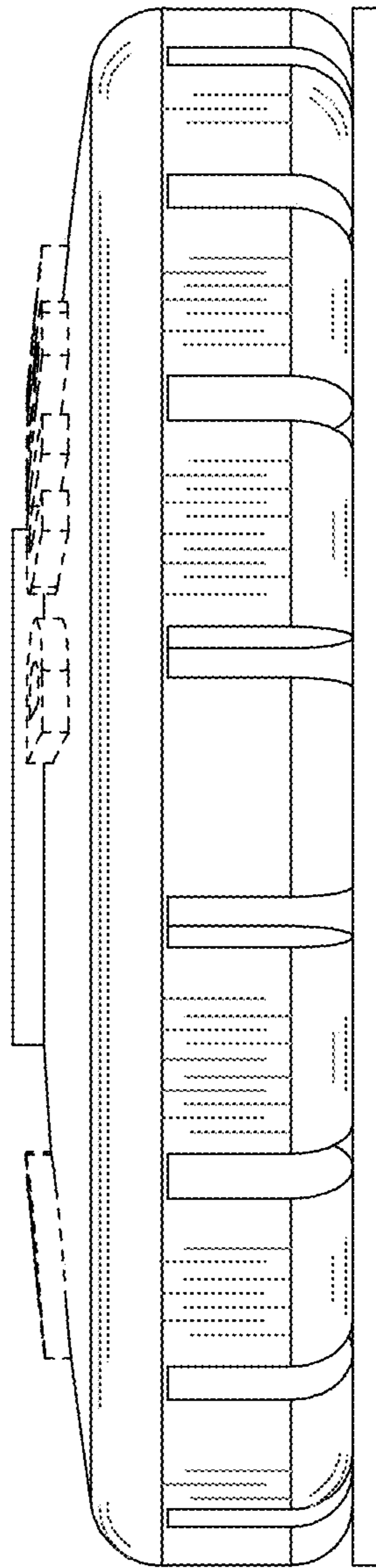


Fig. 24

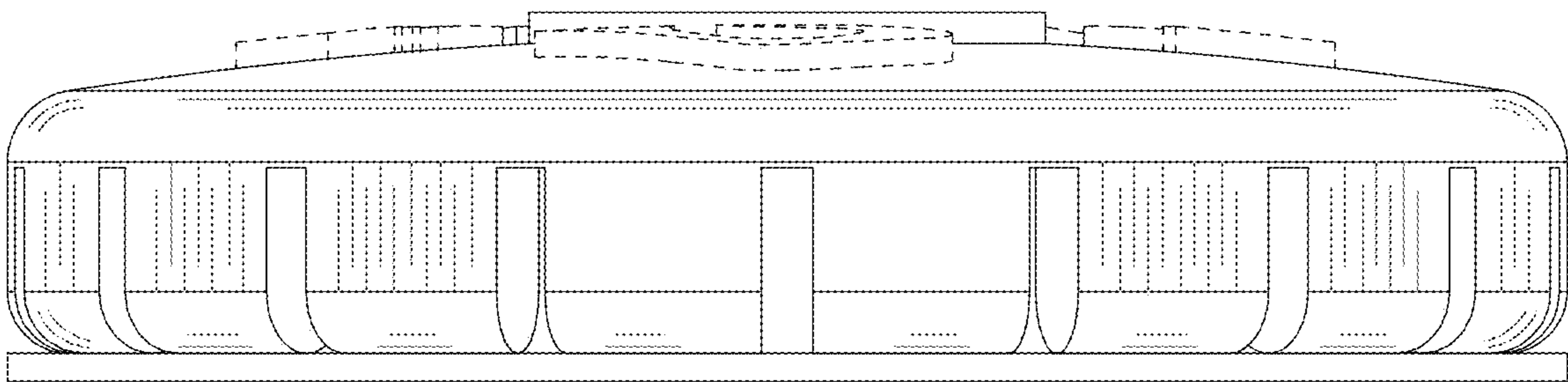


Fig. 25

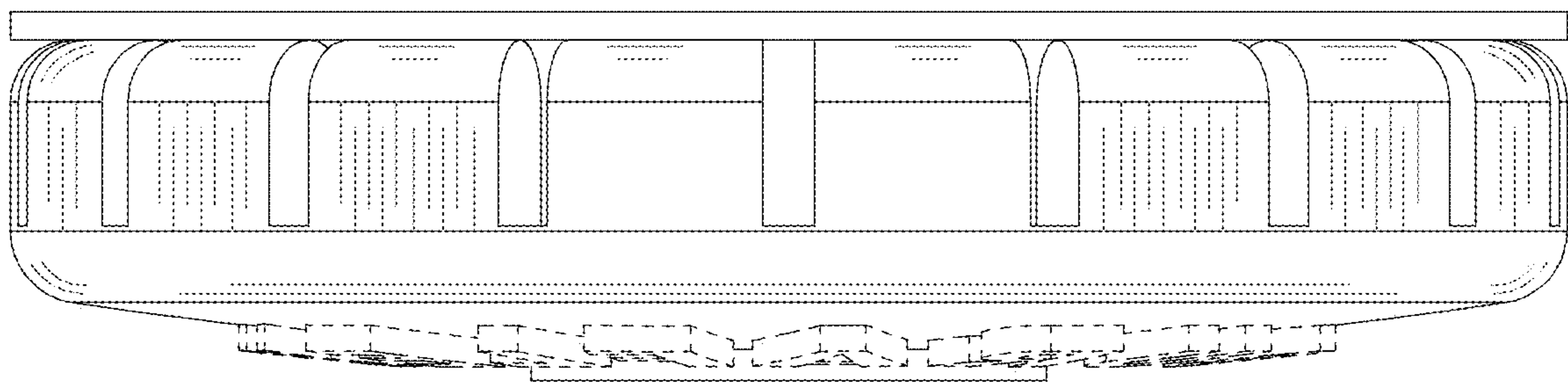


Fig. 26

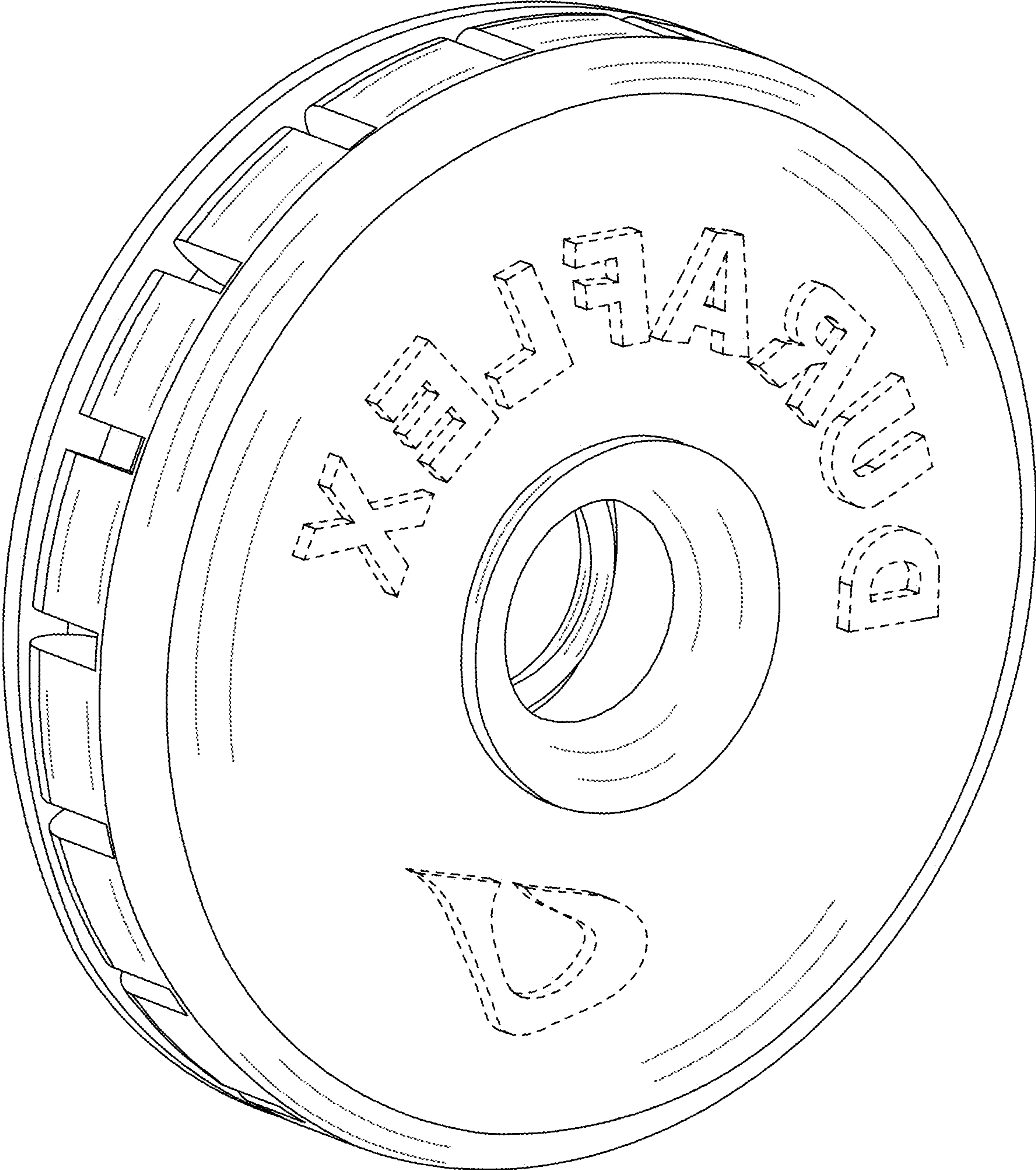


Fig. 27



Fig. 28

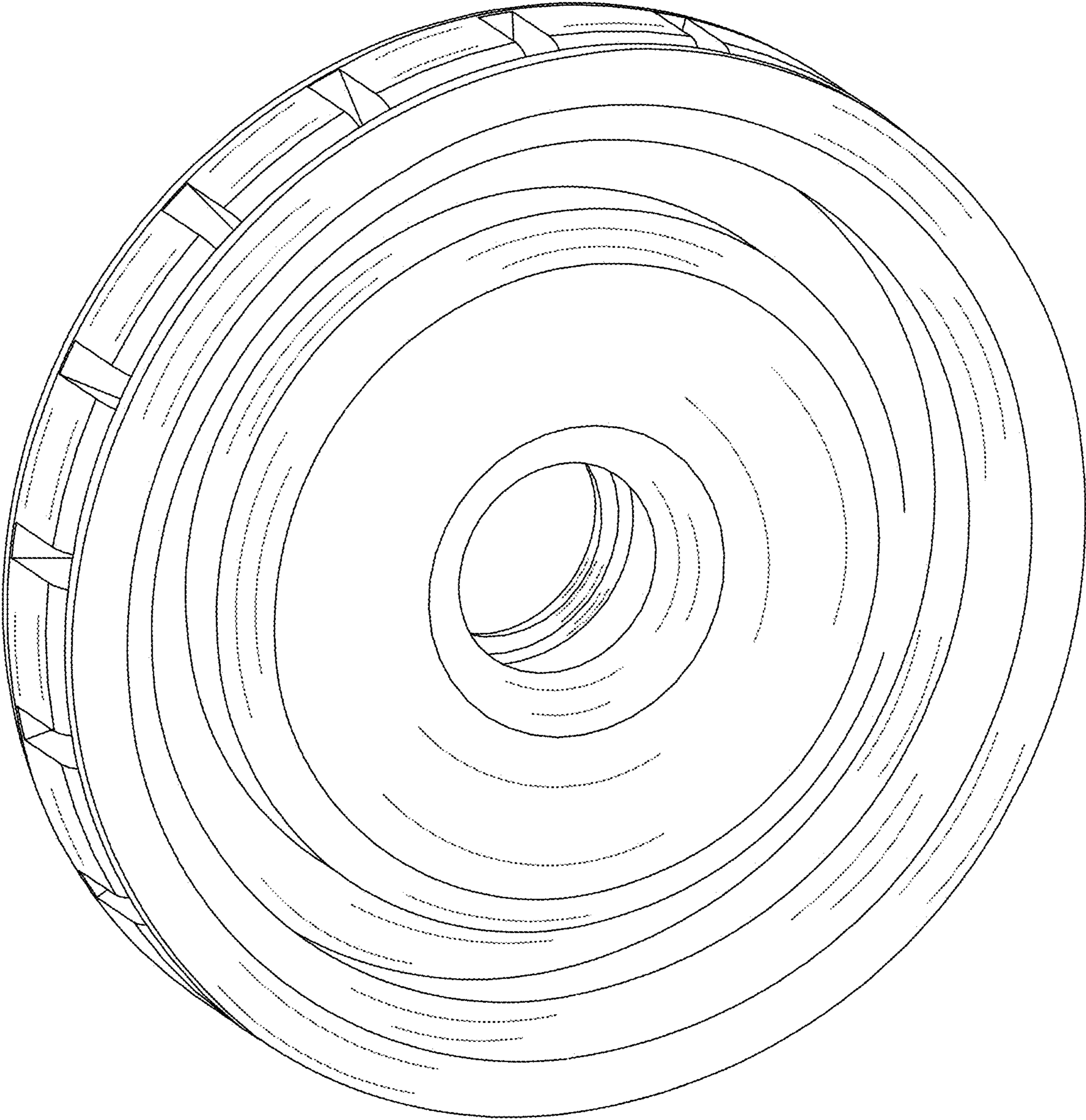


Fig. 29

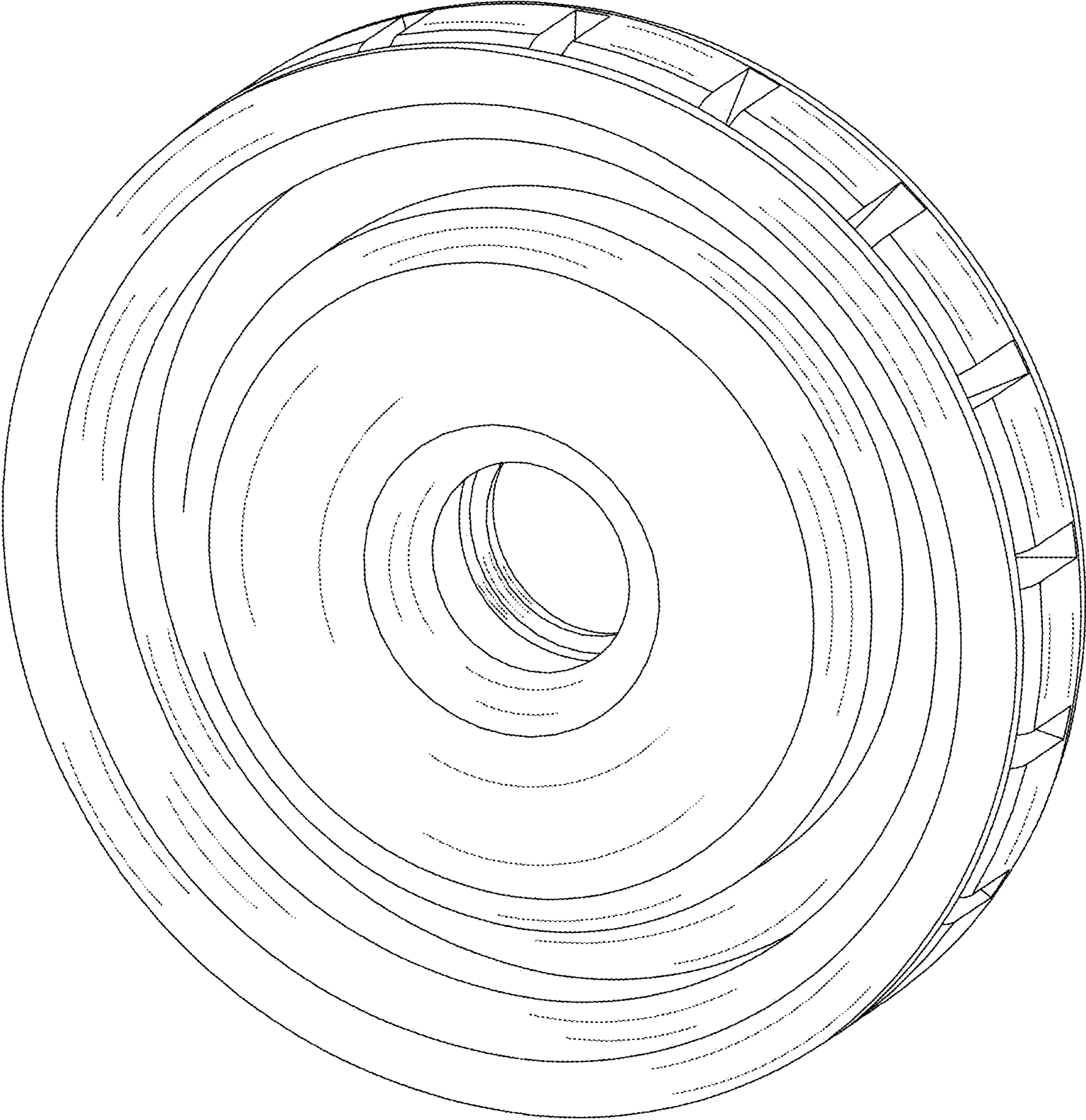


Fig. 30