



US00D892672S

(12) **United States Design Patent**  
**Luo**

(10) **Patent No.:** **US D892,672 S**  
(45) **Date of Patent:** **\*\* Aug. 11, 2020**

- (54) **GNOME WREATH**
- (71) Applicant: **SHENZHEN FANKESI TECHNOLOGY CO., LTD.**, Shenzhen (CN)
- (72) Inventor: **Zhihong Luo**, Shenzhen (CN)
- (73) Assignee: **SHENZHEN FANKESI TECHNOLOGY CO., LTD.**, Shenzhen (CN)
- (\*\*) Term: **15 Years**
- (21) Appl. No.: **29/717,500**
- (22) Filed: **Dec. 18, 2019**
- (51) **LOC (12) Cl.** ..... **11-04**
- (52) **U.S. Cl.**  
USPC ..... **D11/120; D11/128**
- (58) **Field of Classification Search**  
USPC ..... D11/117, 121, 124, 125, 127, 128, 130, D11/131, 132, 133, 134, 136, 157, 158, D11/160, 164, 172, 173, 174, 40, 47, 48, D11/49, 53, 120, 119; D21/633, 621, D21/594, 593, 587, 585, 578, 579, 576; D9/614, 617; 428/7, 8, 9, 10, 15, 21, 22  
CPC .... A47G 33/00; A47G 33/08; A47G 33/0809; A47G 33/0836; A47G 2033/0827; A44C 1/00; B44C 5/00; B44C 5/06; A63H 3/00; A63H 3/02; A63H 3/06; A63J 19/00; A63J 19/006; A41G 1/00; A41G 1/009; A41G 1/04  
See application file for complete search history.

- 1,696,221 A \* 12/1928 Tubbs ..... A01G 5/04 428/27
- D131,222 S \* 1/1942 Kelman ..... D11/120
- D135,213 S \* 3/1943 Price ..... D11/120
- D168,961 S \* 3/1953 Melaragno ..... D11/120
- D179,510 S \* 1/1957 Doan ..... D11/128
- D186,553 S \* 11/1959 Doan ..... D9/617
- D190,586 S \* 6/1961 Rosenzweig ..... D11/128
- D223,004 S \* 2/1972 Rosenzweig ..... D11/128
- D226,436 S \* 3/1973 Vandewater ..... D11/128
- D255,371 S \* 6/1980 McAllister ..... D21/638
- D279,386 S \* 6/1985 Dunn ..... D11/136
- 5,037,679 A \* 8/1991 Noble, Jr. .... B44C 5/02 156/63
- D340,671 S 10/1993 Clark
- D352,013 S \* 11/1994 Corson ..... D11/121
- D384,596 S \* 10/1997 Hunter, Sr. .... D11/121
- 5,789,043 A \* 8/1998 Law ..... G09F 19/08 428/10
- D438,693 S \* 3/2001 Martin ..... D11/125
- D446,155 S \* 8/2001 Simpson ..... D11/129
- D451,768 S \* 12/2001 Walker ..... D7/628
- D462,924 S \* 9/2002 Woodson ..... D11/120

(Continued)

Primary Examiner — Elizabeth J Oswecki

(57) **CLAIM**

The ornamental design for a gnome wreath, as shown and described.

**DESCRIPTION**

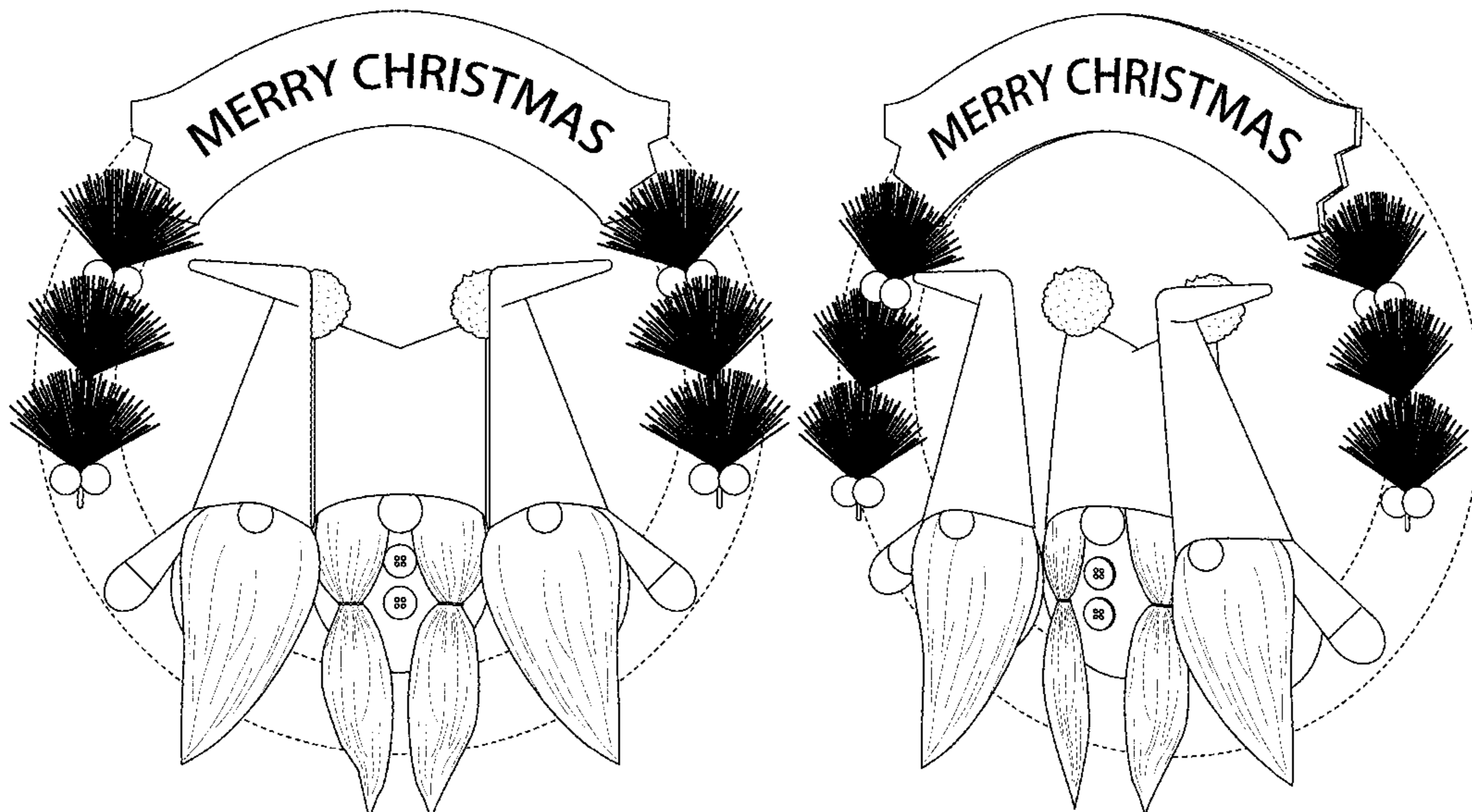
FIG. 1 is a front elevational view of a gnome wreath showing my new design;  
 FIG. 2 is a left side elevational view thereof;  
 FIG. 3 is a rear elevational view thereof;  
 FIG. 4 is a right side elevational view thereof;  
 FIG. 5 is a top plan view thereof;  
 FIG. 6 is a bottom plan view thereof; and,  
 FIG. 7 is a perspective view thereof.  
 The broken lines in the drawings depict portions of the gnome wreath that form no part of the claimed design.

**1 Claim, 7 Drawing Sheets**

(56) **References Cited**

**U.S. PATENT DOCUMENTS**

- D55,076 S \* 5/1920 Obrecht ..... D21/633
- 1,692,897 A \* 11/1928 Howard ..... A63H 3/02 446/369



(56)

**References Cited**

U.S. PATENT DOCUMENTS

D544,396 S *	6/2007	McClellan .....	D11/120
D670,449 S *	11/2012	Clark .....	D30/125
D758,913 S *	6/2016	Ohlsson, Jr. ....	D11/120
D789,243 S *	6/2017	Parisi .....	D11/128
D819,756 S *	6/2018	Mironova .....	D21/633
D821,256 S *	6/2018	Parisi .....	D11/128
D832,375 S *	10/2018	Austin .....	D21/633
D871,253 S *	12/2019	Corey .....	D11/160
2005/0153623 A1 *	7/2005	Shrock .....	A63H 3/00 446/268

\* cited by examiner

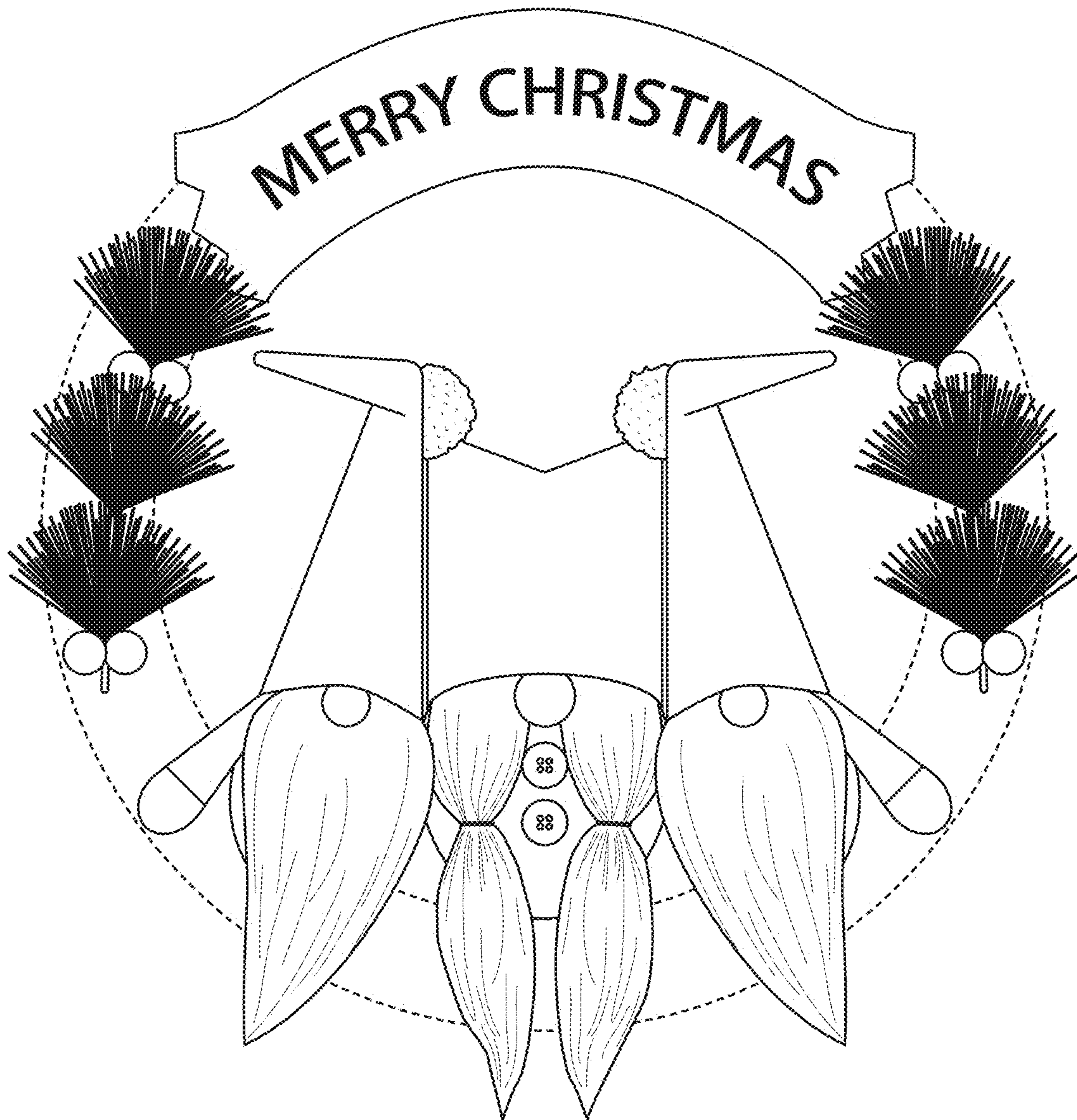


FIG. 1

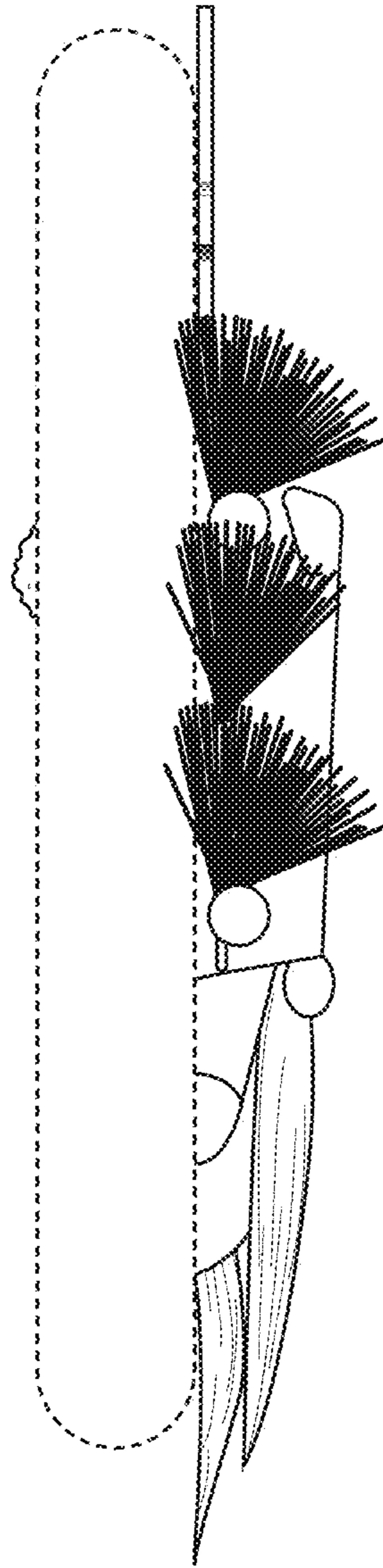


FIG. 2

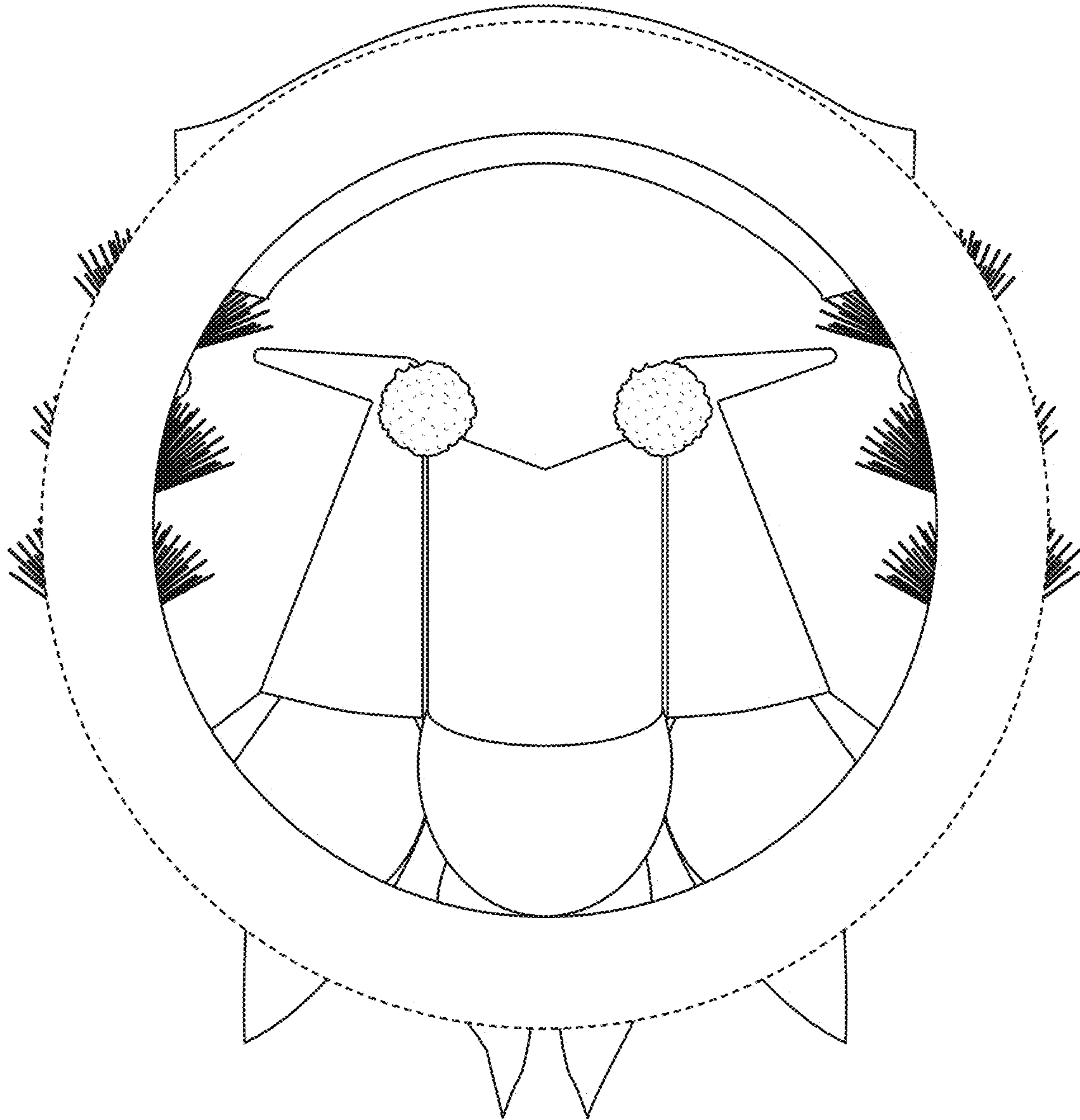


FIG. 3

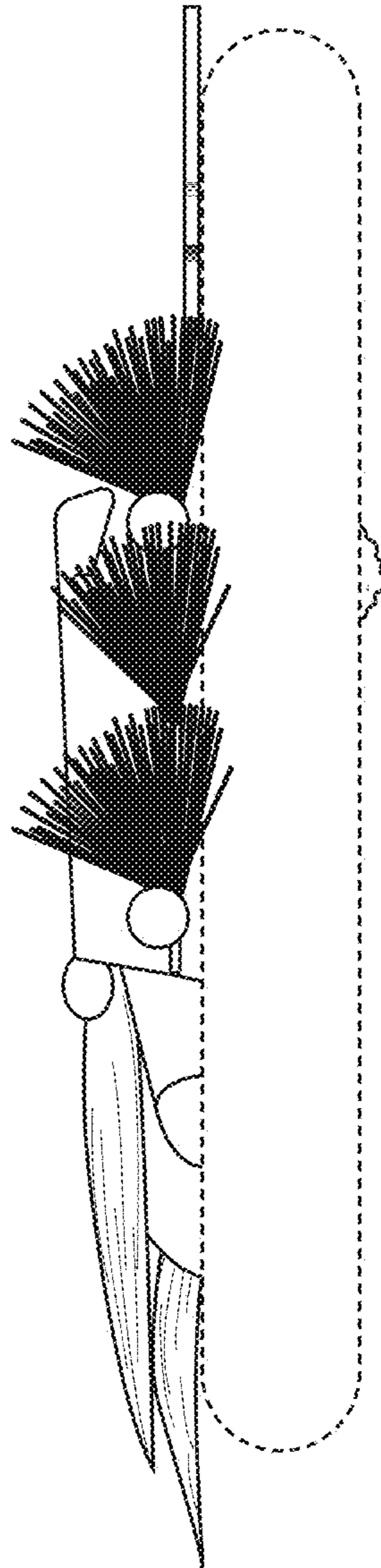


FIG. 4

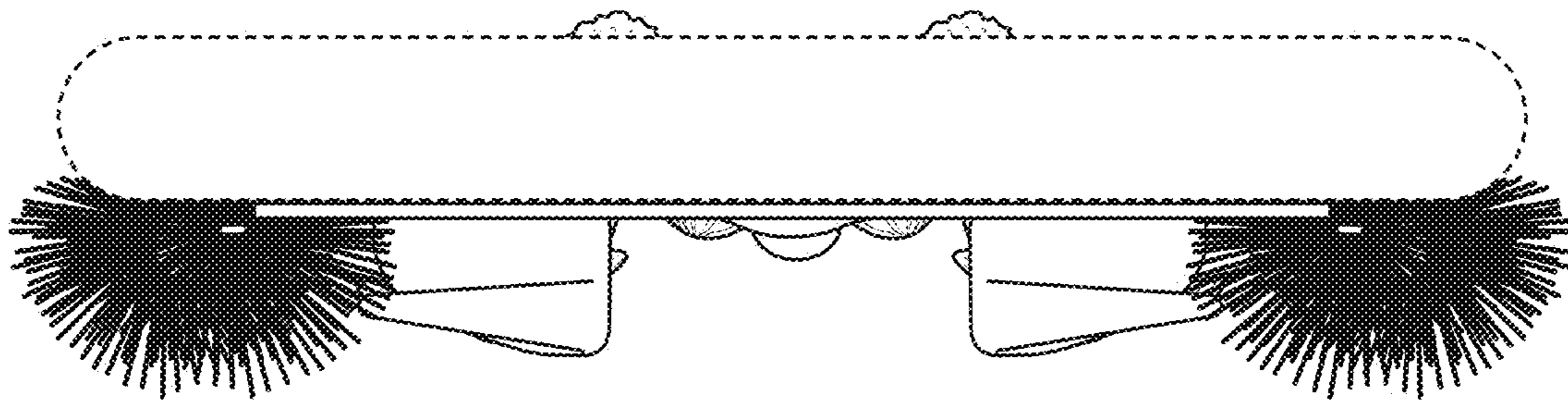


FIG. 5

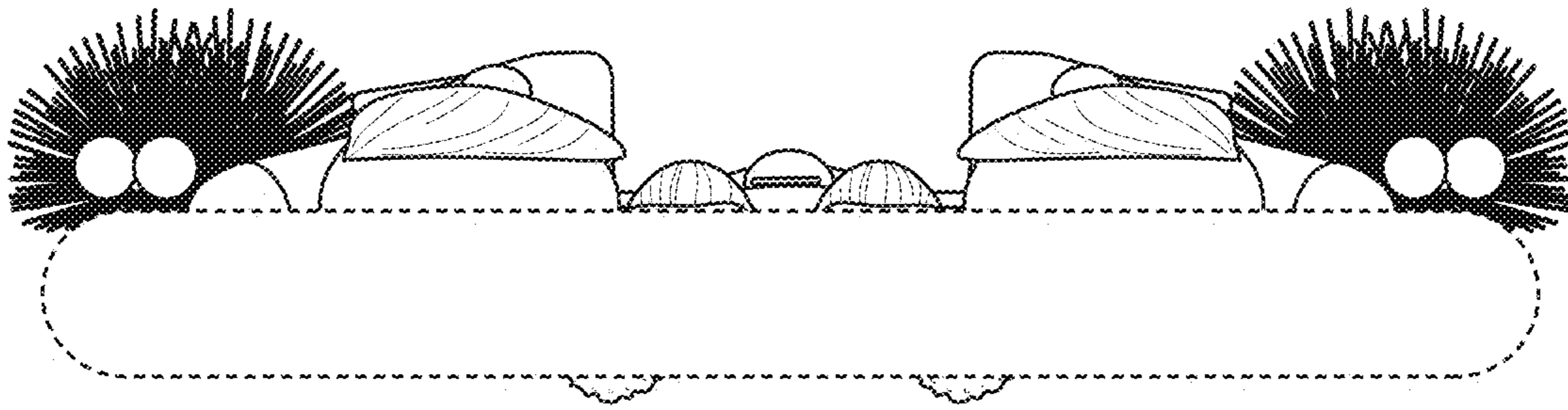


FIG. 6



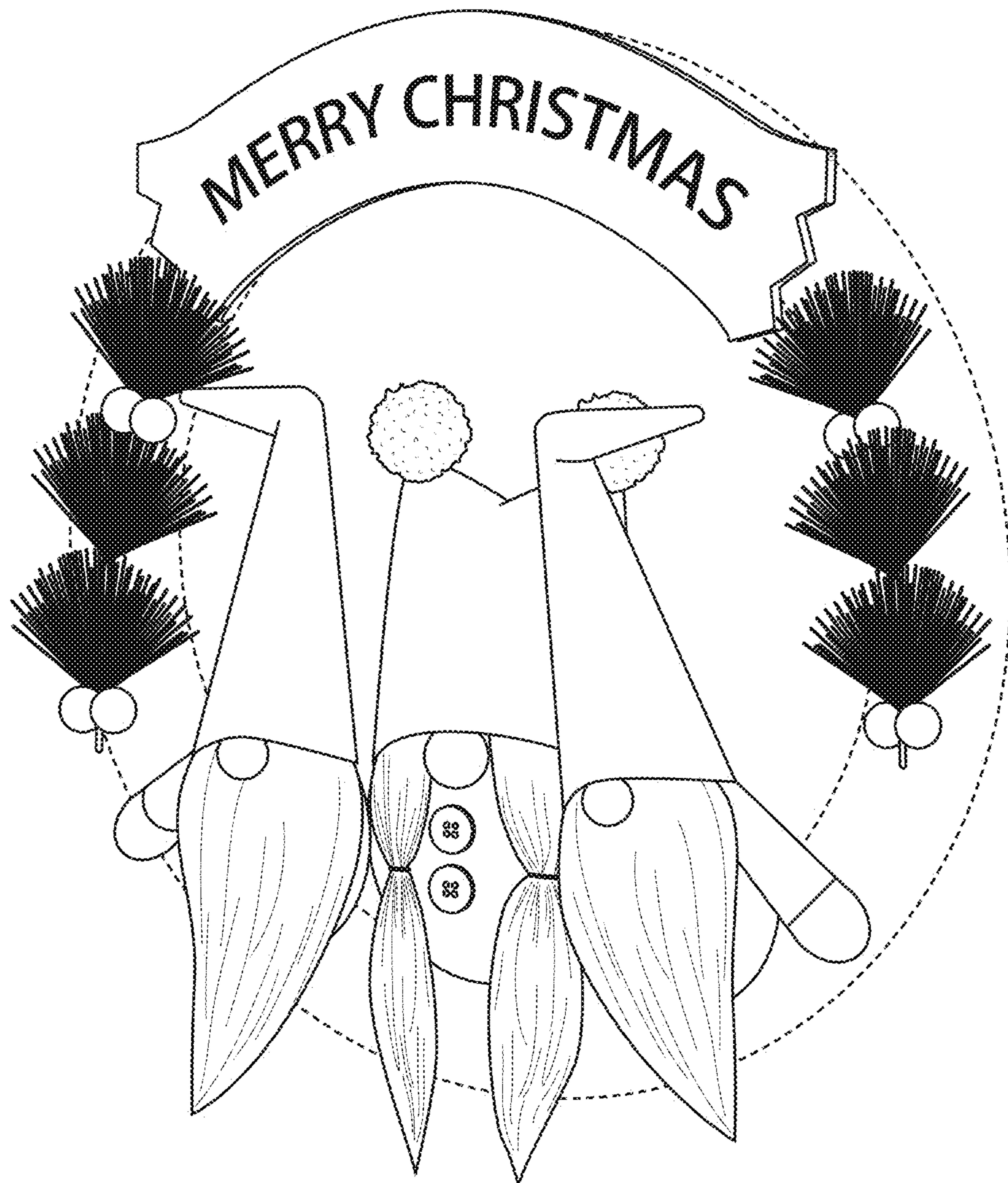


FIG. 7