

US00D892667S

(12) **United States Design Patent** (10) **Patent No.:** **US D892,667 S**
Chen (45) **Date of Patent:** **** Aug. 11, 2020**

(54) **WATCH BAND**
(71) Applicant: **Junsheng Chen**, Guangzhou (CN)
(72) Inventor: **Junsheng Chen**, Guangzhou (CN)
(73) Assignee: **Guangzhou Baomai Trading Co., Ltd.**, Guangzhou (CN)

D295,838 S * 5/1988 Ando D10/32
D664,067 S * 7/2012 Cerrato D11/94
D692,339 S * 10/2013 Cerrato D11/3
D698,268 S * 1/2014 Mijatovic D10/32
D814,328 S * 4/2018 Behling D11/3
10,175,653 B1 * 1/2019 Bloom G04G 17/08
D850,969 S * 6/2019 Brown D11/3
D873,680 S * 1/2020 Akana D10/32

* cited by examiner

(**) Term: **15 Years**

Primary Examiner — Kevin K Rudzinski

(21) Appl. No.: **29/663,479**

Assistant Examiner — Richard Kearney

(22) Filed: **Sep. 16, 2018**

(51) **LOC (12) Cl.** **11-01**

(57) **CLAIM**

(52) **U.S. Cl.**

USPC **D11/3**

The ornamental design for a watch band, as shown and described.

(58) **Field of Classification Search**

USPC D10/31, 32, 38, 39, 46, 70; D11/1–25,
D11/86, 87; D14/344

CPC A44C 5/12; A44C 5/14; A44C 5/18; A44C
5/0053; A44C 5/0069; A44C 5/0076;

A44C 5/00; A44C 5/0007; A44C 5/0015;
A44C 5/0023; A44C 5/003; A44C

5/0061; A44C 5/147; A44C 5/185; A44C
5/2047; A44C 5/2052; G04B 37/00;

G04B 37/1486; A44B 11/006; A44B
11/24; A61B 5/681

See application file for complete search history.

DESCRIPTION

FIG. 1 is a perspective view of a watch band showing my new design;

FIG. 2 is a front elevational view thereof;

FIG. 3 is a rear elevational view thereof; and,

FIG. 4 is a left side elevational view thereof.

The broken lines shown in the drawings illustrate environmental subject matter and form no part of the claimed design.

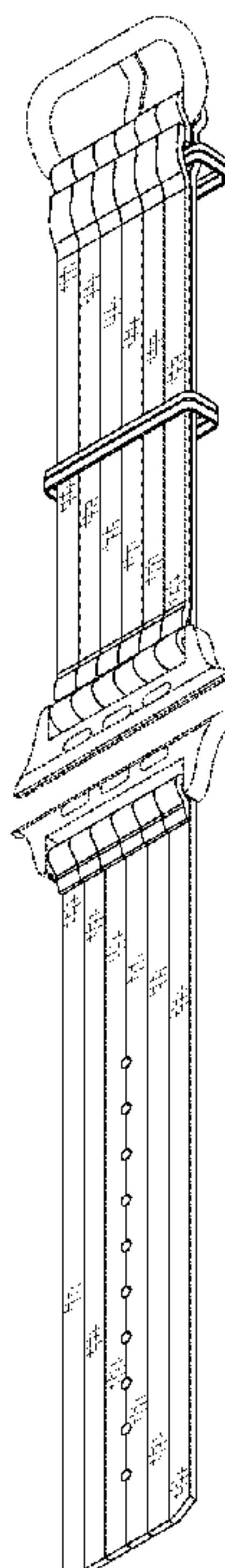
(56) **References Cited**

U.S. PATENT DOCUMENTS

953,957 A * 4/1910 Kellogg A44C 5/14
24/265 R

D271,160 S * 11/1983 Sherwin 224/221

1 Claim, 4 Drawing Sheets



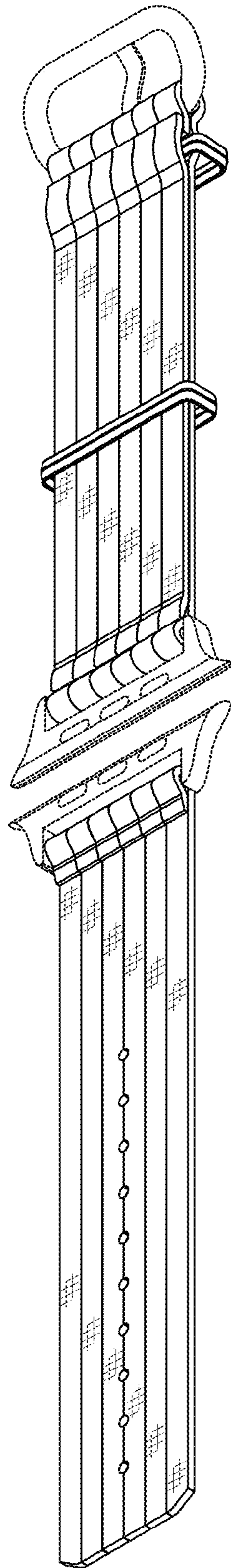


FIG.1

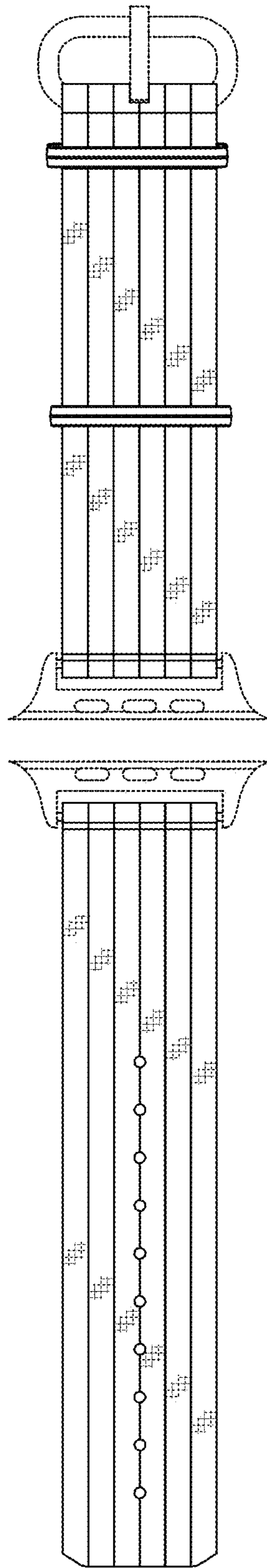


FIG.2

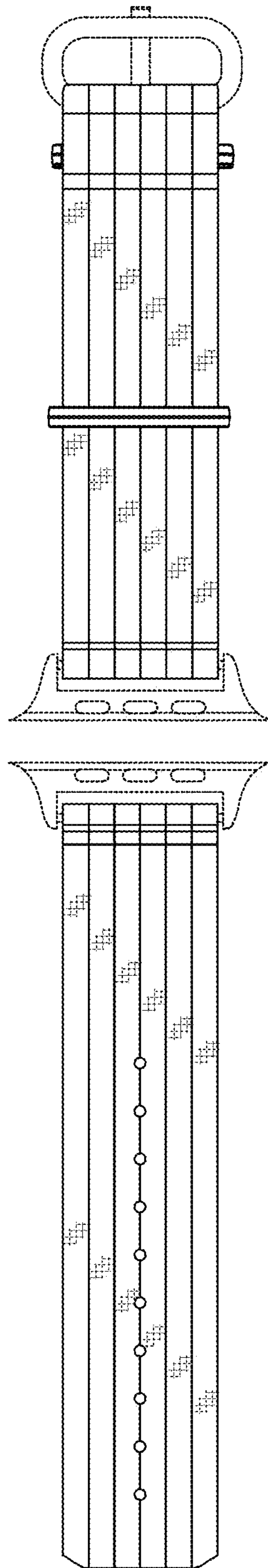


FIG.3

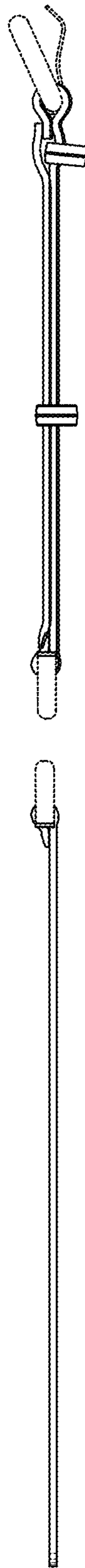


FIG.4