



US00D892664S

(12) **United States Design Patent**
Graber

(10) **Patent No.:** **US D892,664 S**

(45) **Date of Patent:** **** Aug. 11, 2020**

(54) **WHISTLE**

(71) Applicant: **Curtis E. Graber**, Woodburn, IN (US)

(72) Inventor: **Curtis E. Graber**, Woodburn, IN (US)

(**) Term: **15 Years**

(21) Appl. No.: **29/710,969**

(22) Filed: **Oct. 28, 2019**

Related U.S. Application Data

(62) Division of application No. 29/580,332, filed on Oct. 7, 2016, now Pat. No. Des. 881,734.

(51) **LOC (12) Cl.** **10-05**

(52) **U.S. Cl.**

USPC **D10/119.3**

(58) **Field of Classification Search**

USPC D10/119.3, 119.1, 119.2, 120

CPC G08B 3/02; G10K 5/00

See application file for complete search history.

(56) **References Cited**

U.S. PATENT DOCUMENTS

D42,832 S * 7/1912 Cameron D10/121

D43,081 S * 10/1912 Lansing D10/120

D43,222 S * 11/1912 Lansing D10/120

D43,806 S * 4/1913 Tollefson D10/120

D59,340 S * 10/1921 De Tamble D10/119.2

D158,172 S * 4/1950 Berk D10/119.2

D263,383 S * 3/1982 Moore D10/119.2

D279,461 S * 7/1985 Lafreniere D10/119.3

D639,197 S * 6/2011 Primos D10/119.1

* cited by examiner

Primary Examiner — George D. Kirschbaum

(74) *Attorney, Agent, or Firm* — Taylor IP, P.C.

(57) **CLAIM**

The ornamental design for a whistle, as shown and described.

DESCRIPTION

FIG. 1 is a front perspective view of a whistle showing my new design;

FIG. 2 is a rear perspective view thereof;

FIG. 3 is a front view thereof;

FIG. 4 is a rear view thereof;

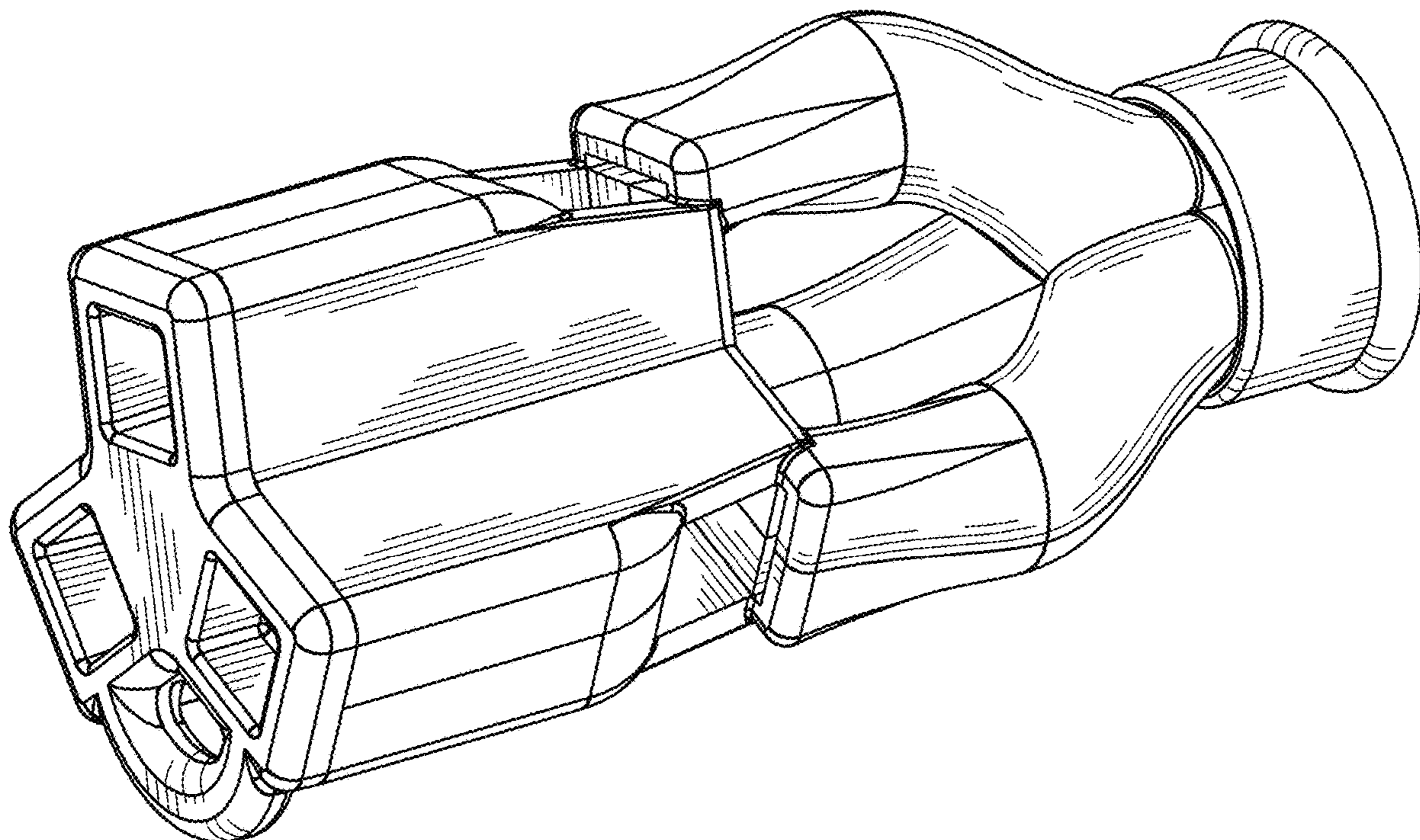
FIG. 5 is a side view thereof, the opposite side view being a mirror image of this view;

FIG. 6 is a bottom view thereof; and,

FIG. 7 is a top view thereof.

The broken lines in the drawings depict portions of the whistle that form no part of the claimed design.

1 Claim, 4 Drawing Sheets



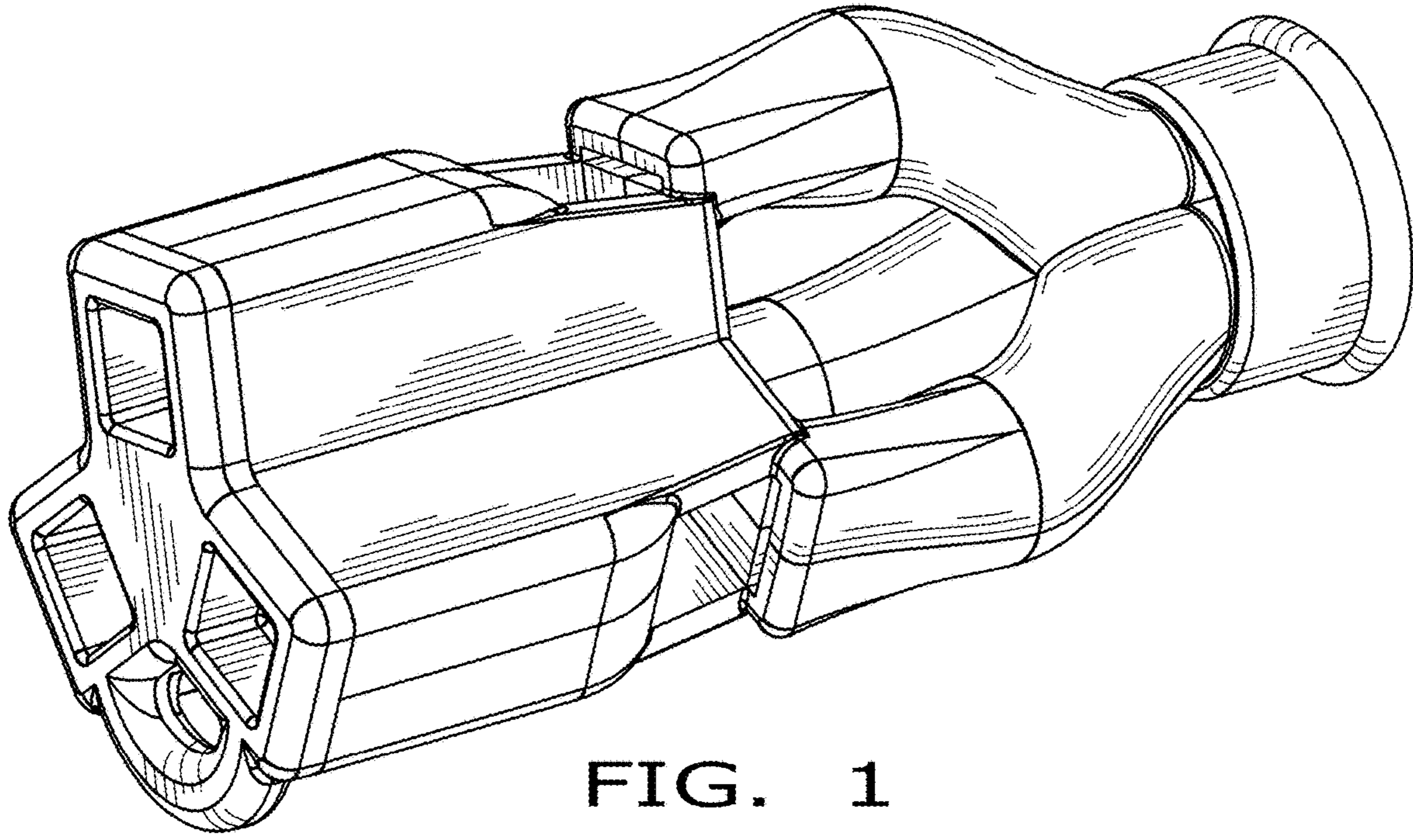


FIG. 1

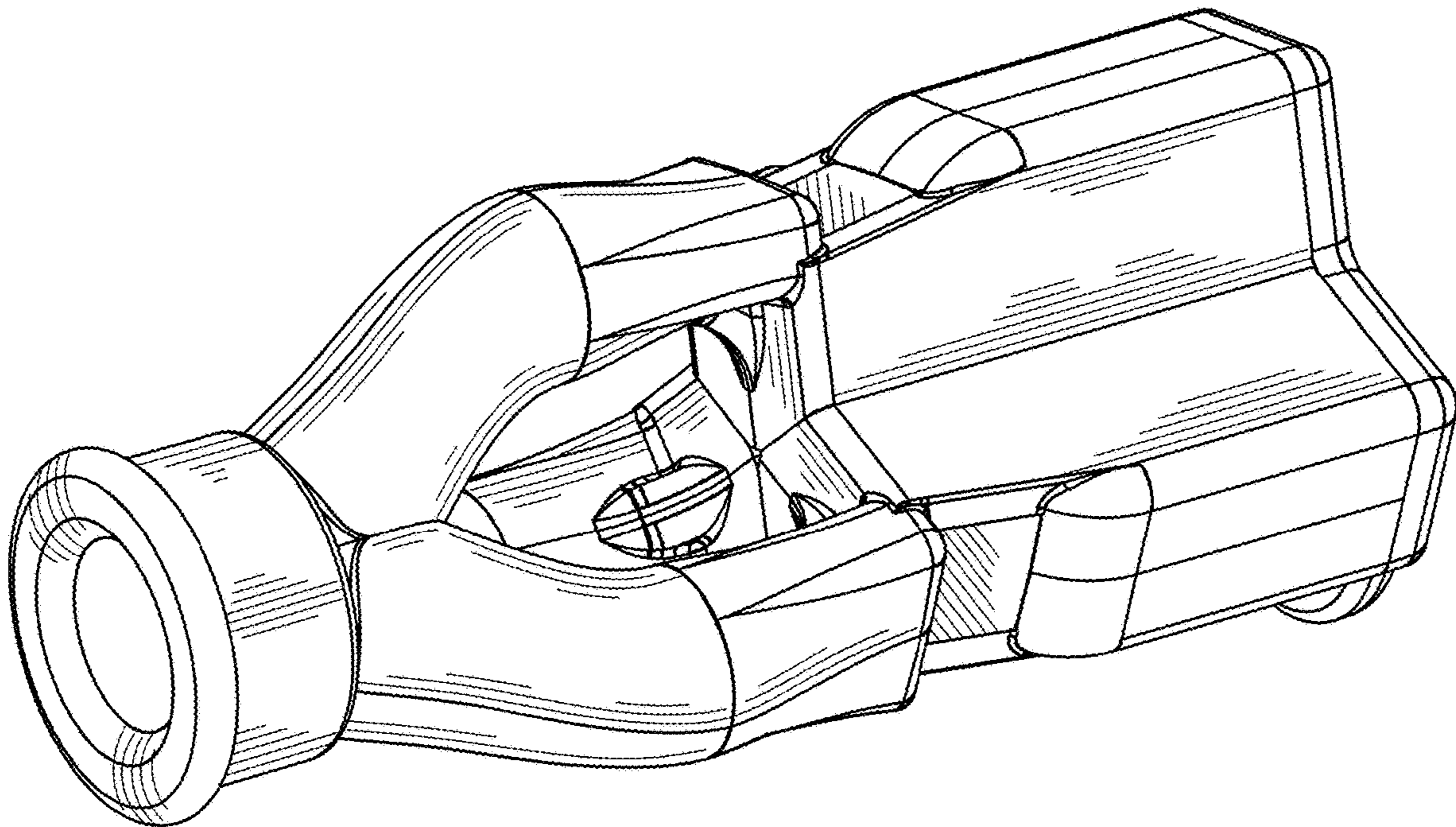


FIG. 2

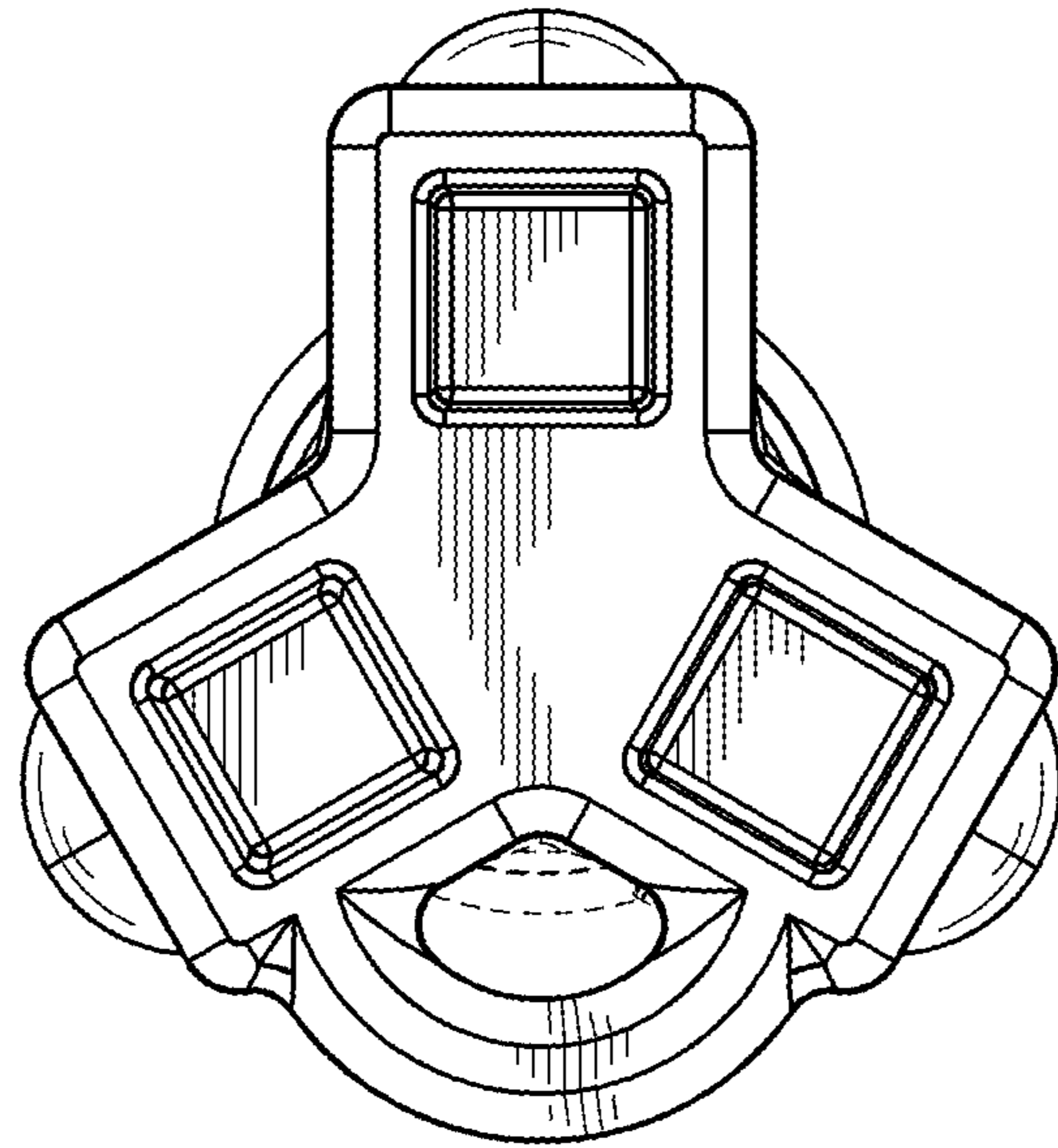


FIG. 3

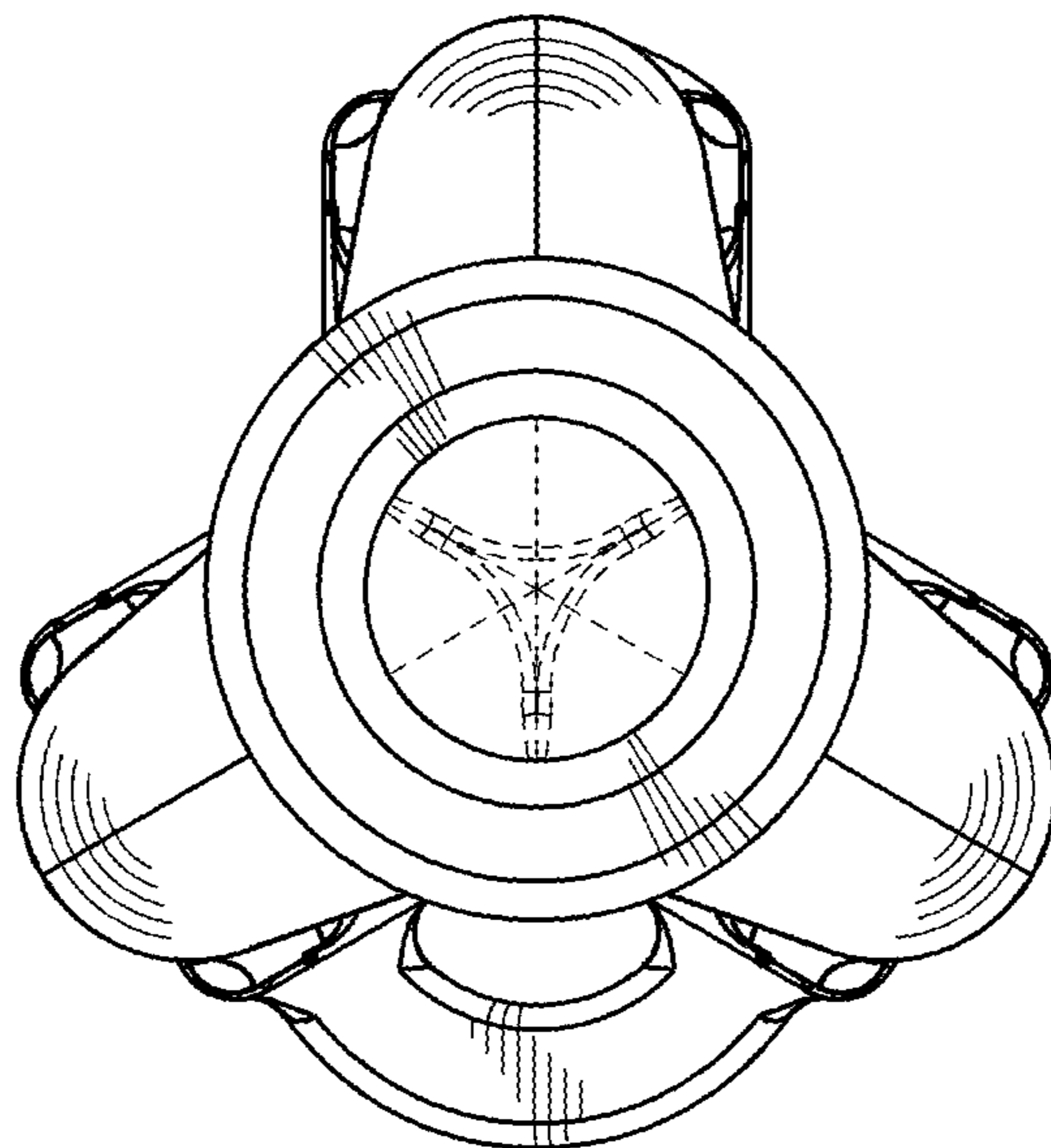


FIG. 4

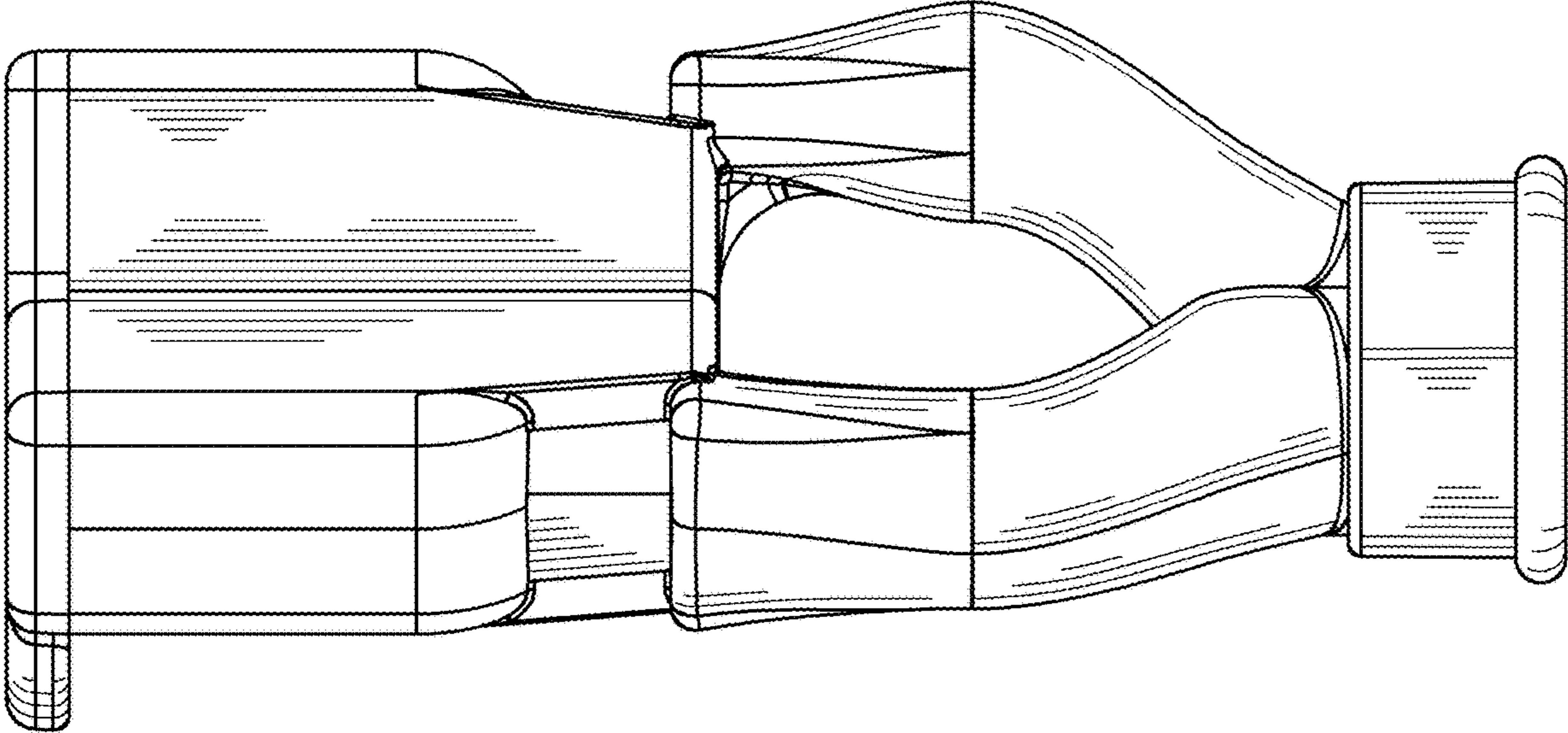


FIG. 5

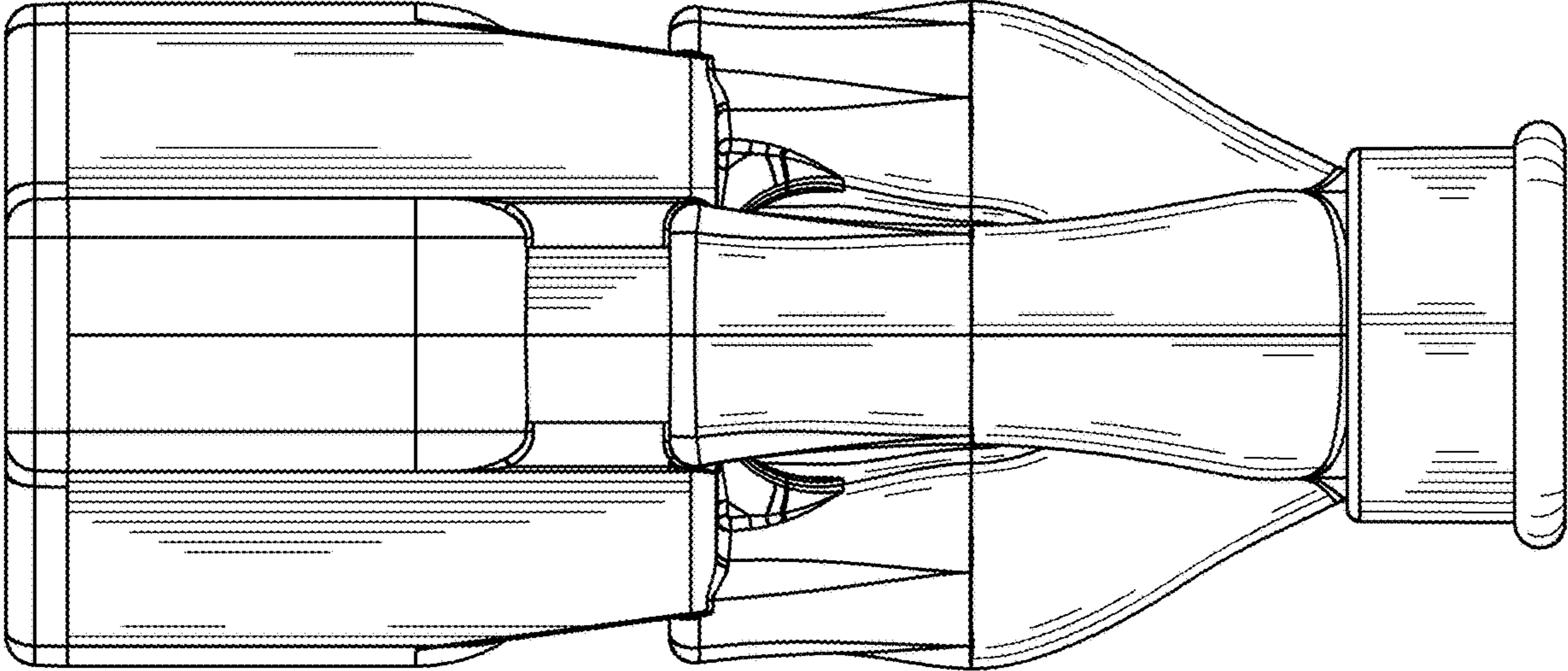


FIG. 6

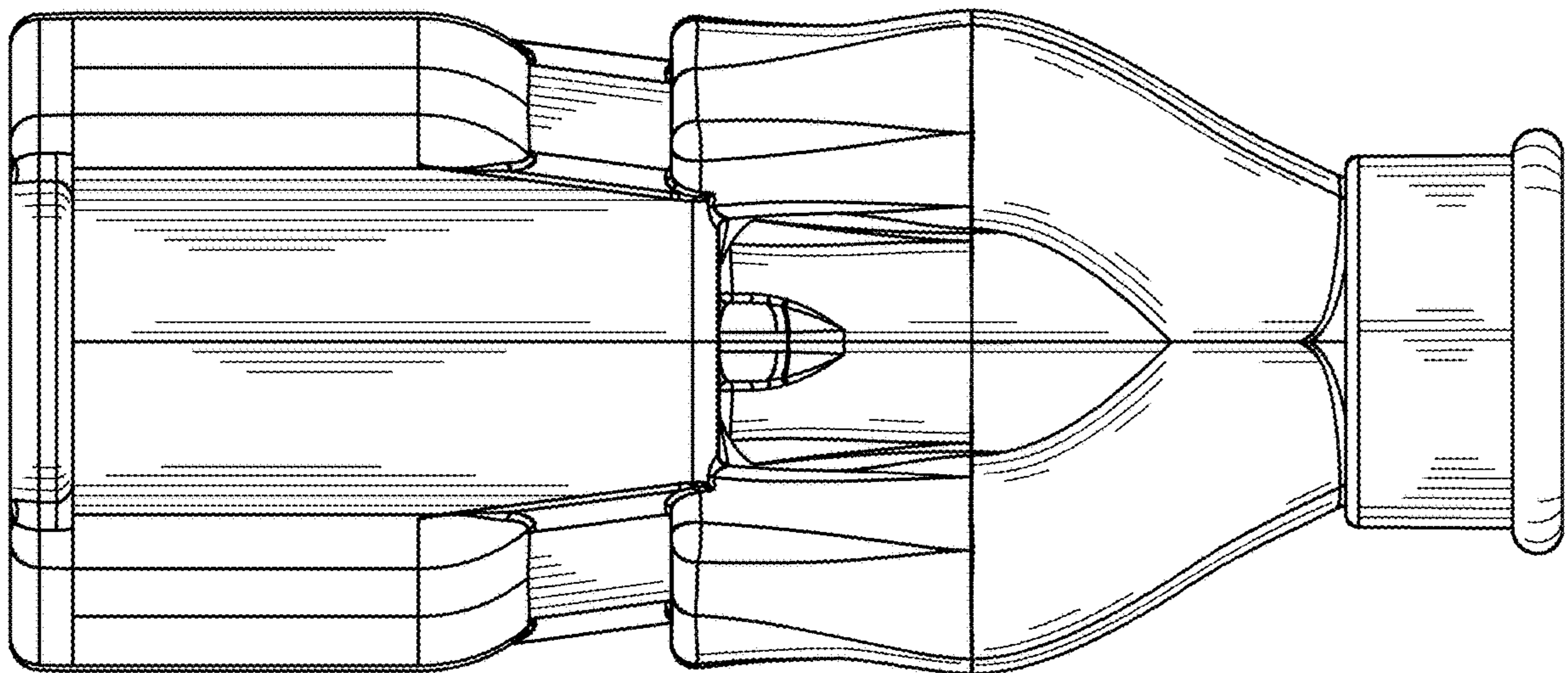


FIG. 7