



US00D892662S

(12) **United States Design Patent**
Wang

(10) **Patent No.:** **US D892,662 S**

(45) **Date of Patent:** **** Aug. 11, 2020**

(54) **DOORBELL BUTTON**

(71) Applicant: **Fan Wang**, Woodbury, NY (US)

(72) Inventor: **Fan Wang**, Woodbury, NY (US)

(**) Term: **15 Years**

(21) Appl. No.: **29/673,126**

(22) Filed: **Dec. 12, 2018**

(51) **LOC (12) Cl.** **10-05**

(52) **U.S. Cl.**
USPC **D10/118.2**

(58) **Field of Classification Search**
USPC D10/118.2; D16/203; D13/119
CPC G08B 13/19658
See application file for complete search history.

(56) **References Cited**

U.S. PATENT DOCUMENTS

D828,201 S *	9/2018	Jeong	D10/118.2
D830,872 S *	10/2018	Jacob	D10/118.2
D836,147 S *	12/2018	Rao	D16/203
D848,891 S *	5/2019	Paredes	D10/118.2
D850,314 S *	6/2019	Laurans	D10/118.2
D850,315 S *	6/2019	Laurans	D10/118.2

D853,264 S *	7/2019	Laurans	D10/118.2
D857,629 S *	8/2019	Taheri	D13/119
D860,848 S *	9/2019	Park	D10/118.2
D871,483 S *	12/2019	Chang	D16/203
D874,536 S *	2/2020	Park	D16/203
D879,640 S *	3/2020	Jacob	D10/118.2

* cited by examiner

Primary Examiner — George D. Kirschbaum

(74) *Attorney, Agent, or Firm* — Dunlap, Bennett & Ludwig PLLC

(57) **CLAIM**

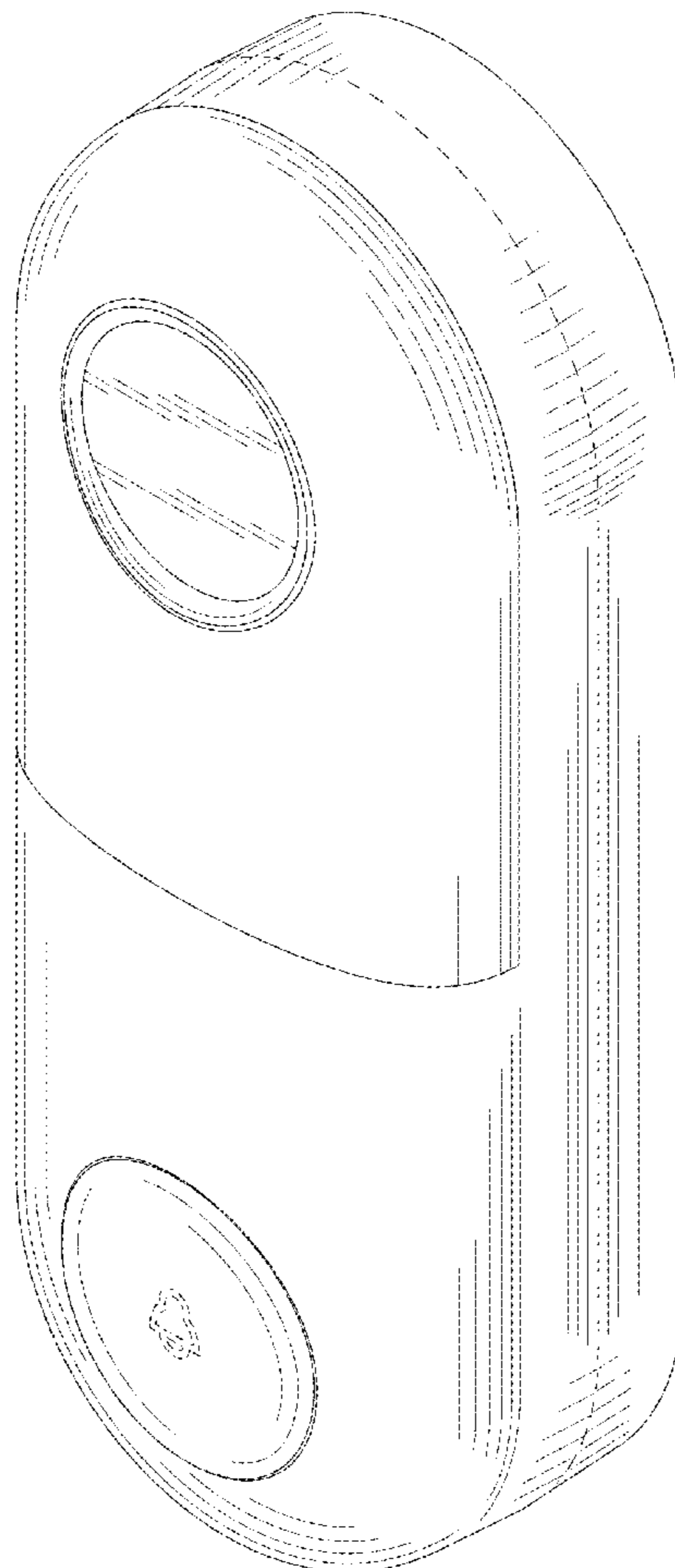
The ornamental design for a doorbell button, as shown and described.

DESCRIPTION

FIG. 1 is a top front perspective view of a doorbell button; FIG. 2 is a front elevation view thereof; FIG. 3 is a rear elevation view thereof; FIG. 4 is a right elevation view thereof, with the left elevation view being a mirror image thereof; FIG. 5 is a top elevation view thereof; and, FIG. 6 is a bottom elevation view thereof.

The broken lines shown in the drawings depict portions of the doorbell button that form no part of the claimed invention.

1 Claim, 4 Drawing Sheets



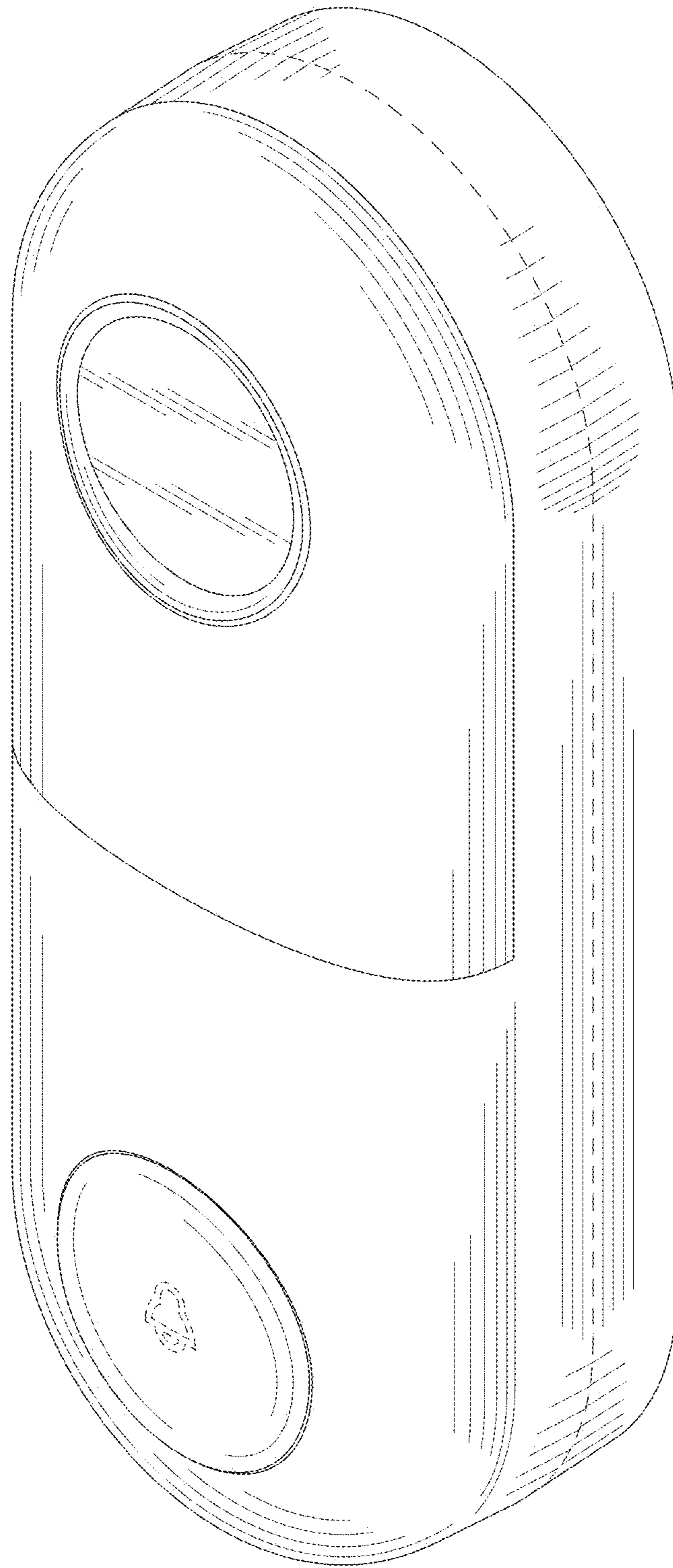


FIG. 1

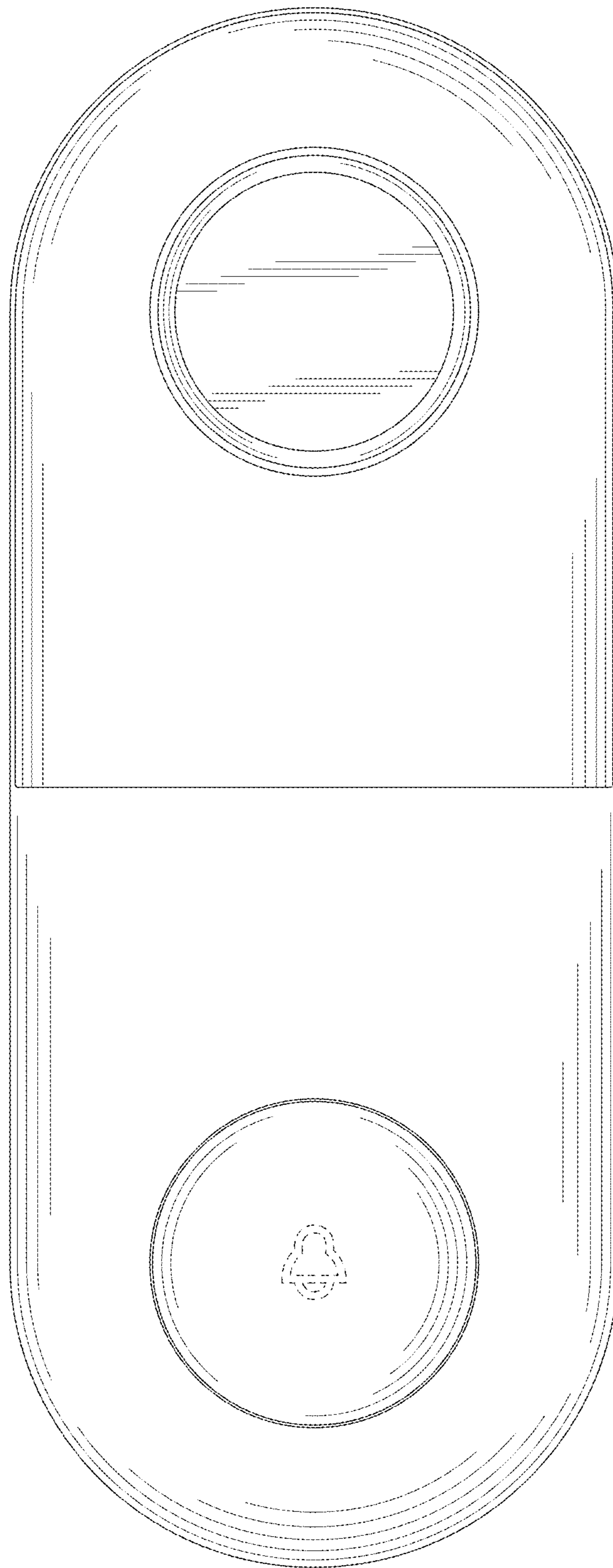


FIG. 2

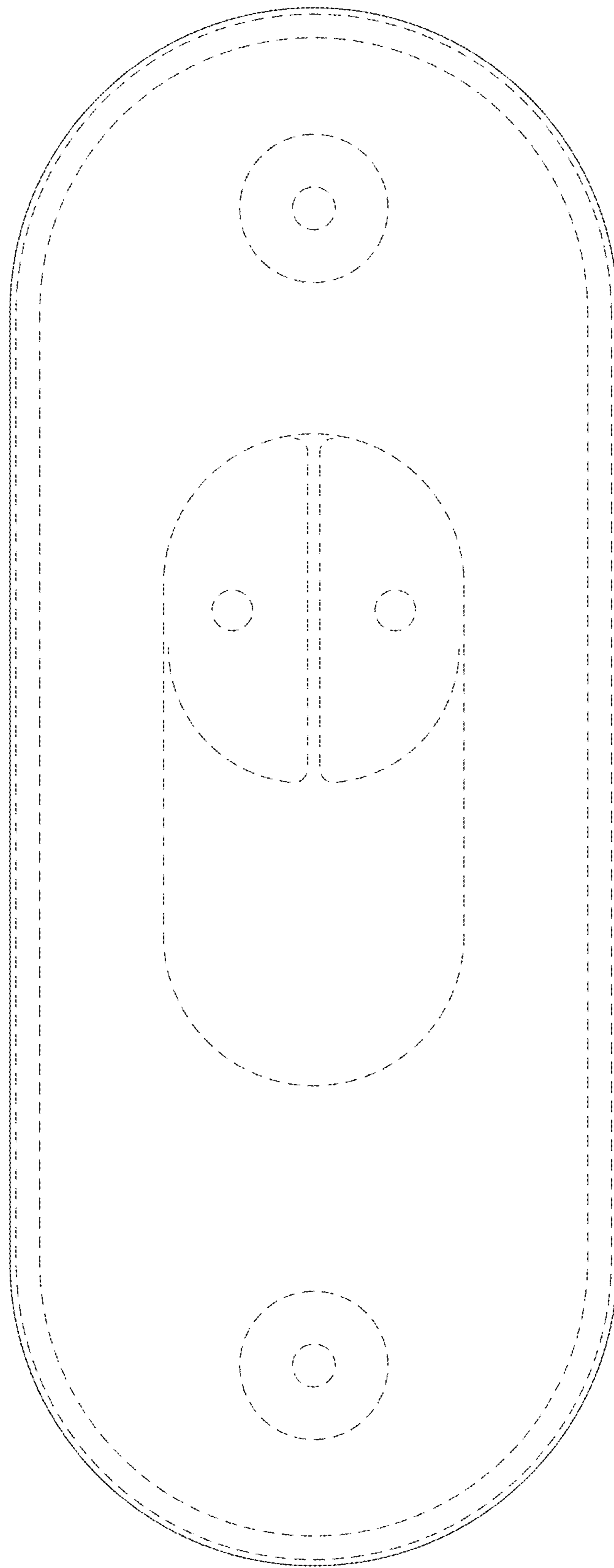


FIG. 3

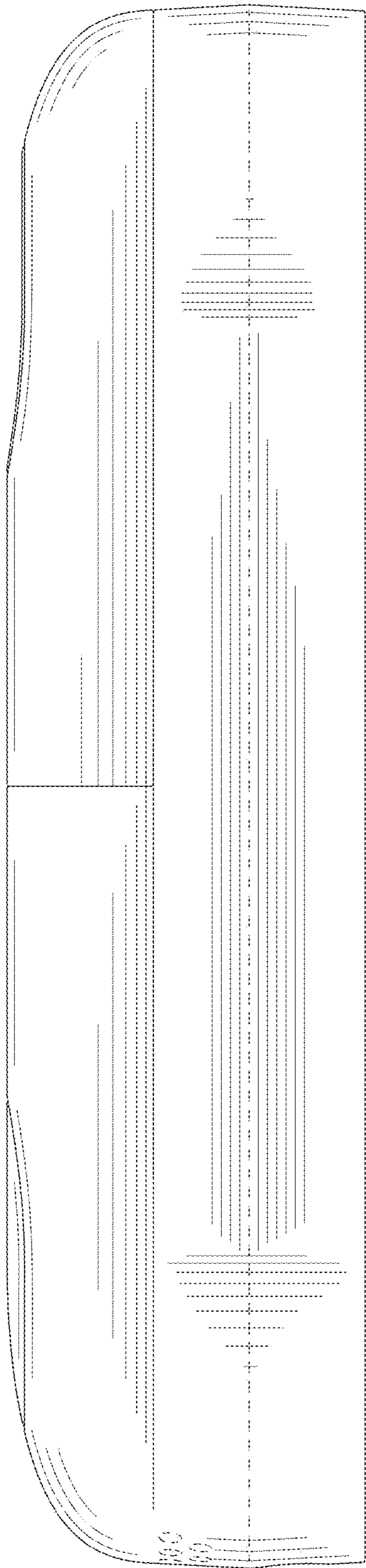


FIG. 4

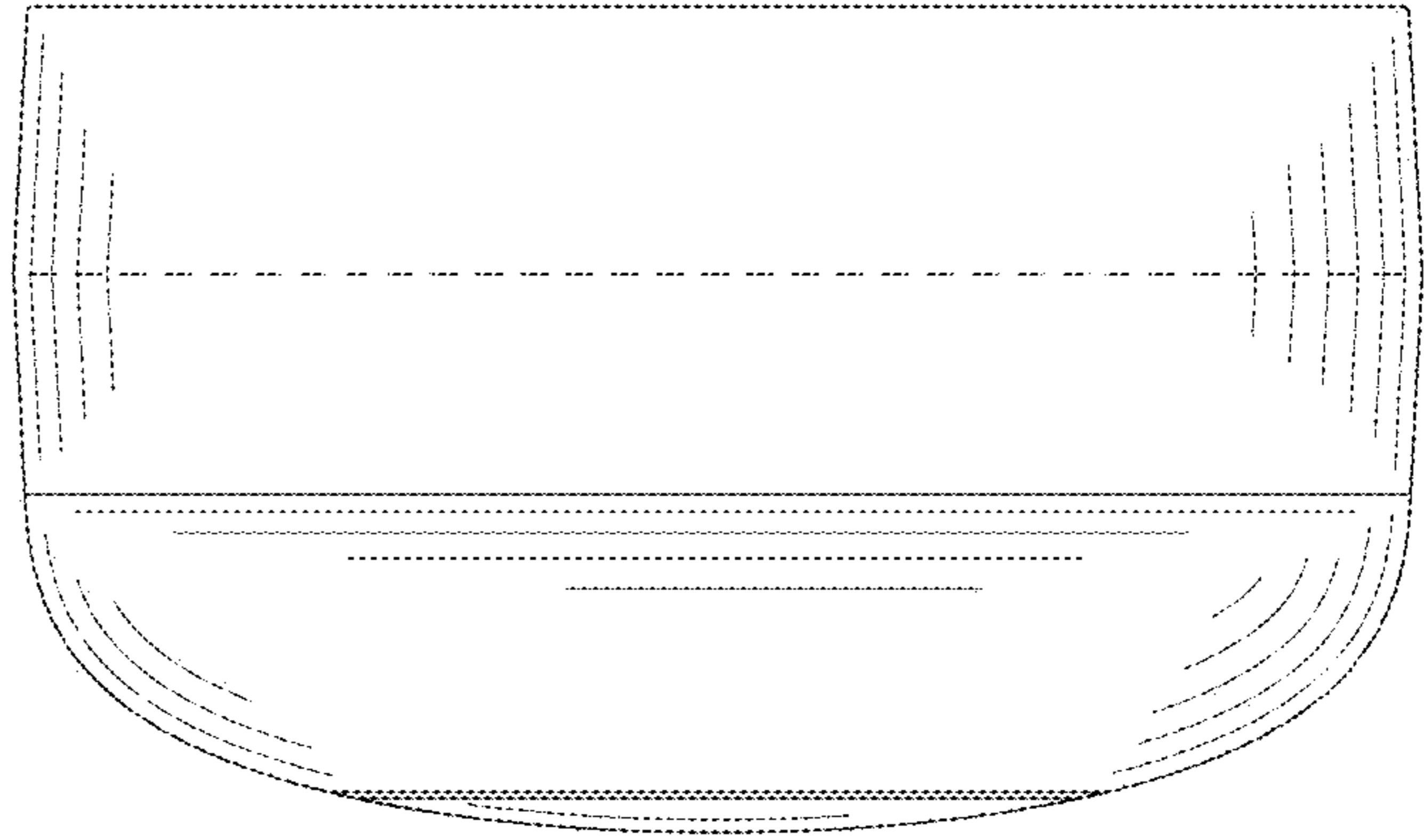


FIG. 5

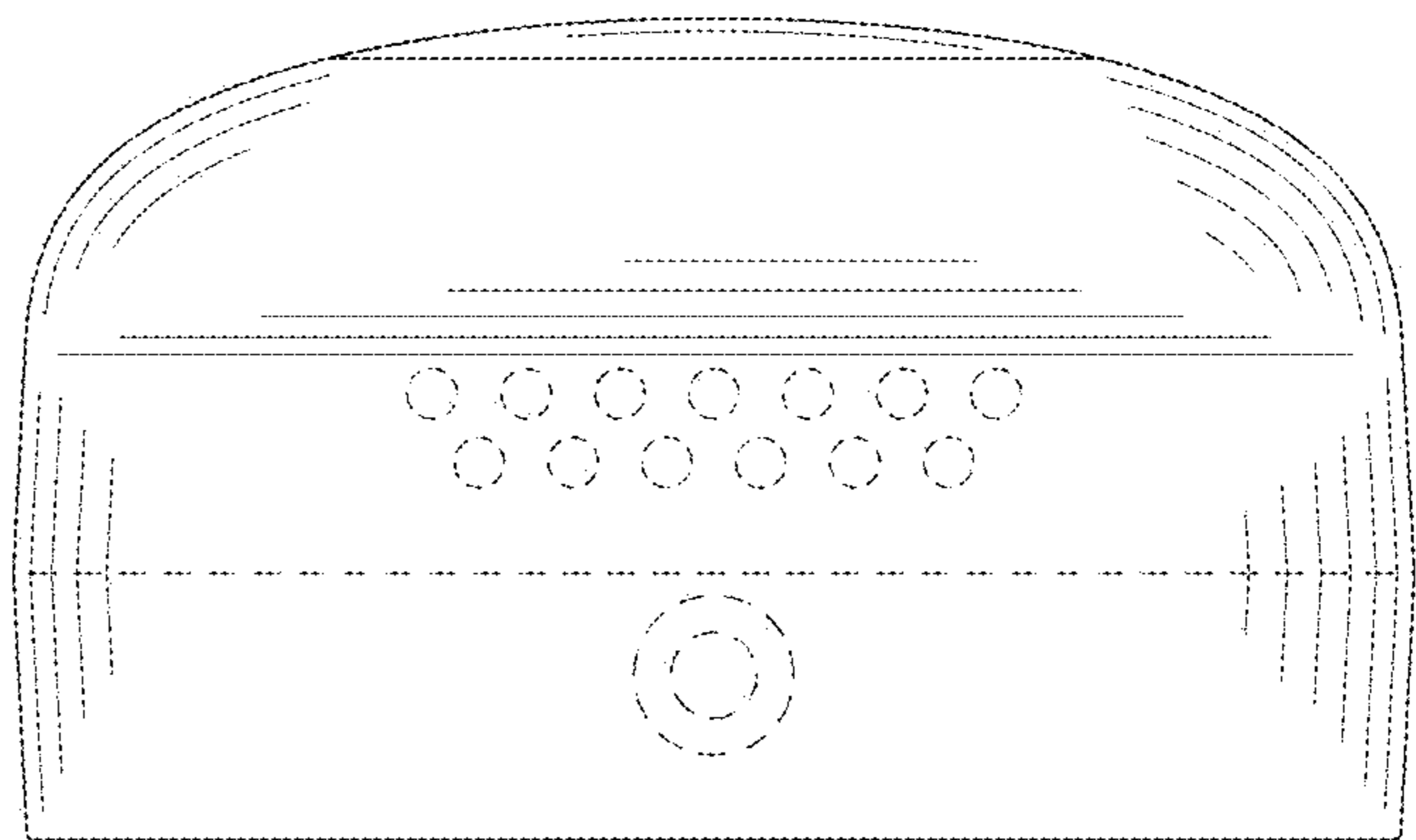


FIG. 6