

US00D892660S

(12) **United States Design Patent**
Perez et al.

(10) **Patent No.:** **US D892,660 S**

(45) **Date of Patent:** **** *Aug. 11, 2020**

(54) **SECURITY TAG WITH LABEL DISPLAY**

(71) Applicant: **Sensormatic Eletronics, LLC**, Boca Raton, FL (US)

(72) Inventors: **Sergio M. Perez**, Lake Worth, FL (US); **Patrick Claeys**, Pembroke Pines, FL (US)

(73) Assignee: **Sensormatic Eletronics, LLC**, Boca Raton, FL (US)

(*) Notice: This patent is subject to a terminal disclaimer.

(**) Term: **15 Years**

(21) Appl. No.: **29/590,974**

(22) Filed: **Jan. 14, 2017**

(51) **LOC (12) Cl.** **10-05**

(52) **U.S. Cl.**
USPC **D10/106.91**

(58) **Field of Classification Search**
USPC D10/65, 70, 104.1, 106.1, 106.9, 106.91, D10/106.92, 106.93, 121; D14/137, 230, D14/496
CPC G08B 21/00; G08B 21/0261; G08B 21/0275; G08B 13/14; G08B 13/2434; G09F 3/08
See application file for complete search history.

(56) **References Cited**

U.S. PATENT DOCUMENTS

D343,134 S * 1/1994 Witzky D10/106.91
D343,135 S * 1/1994 Witzky D10/106.91
D343,368 S * 1/1994 Witzky D10/106.91

D353,115 S * 12/1994 Garner D10/106.91
6,121,878 A * 9/2000 Brady G06K 19/041 340/10.1
D432,442 S * 10/2000 Sayegh D10/106.91
D471,121 S * 3/2003 Perez D10/106.91
D492,214 S * 6/2004 Sayegh D10/106.91
D559,720 S * 1/2008 Raymond D10/106.91
D569,288 S * 5/2008 Raymond E05B 73/0017 D10/104.1
D605,066 S * 12/2009 Raymond G06K 19/041 D10/106.91
2007/0024448 A1 * 2/2007 Sayegh E05B 73/0017 340/572.1

* cited by examiner

Primary Examiner — George D. Kirschbaum
Assistant Examiner — Joseph J Kukella

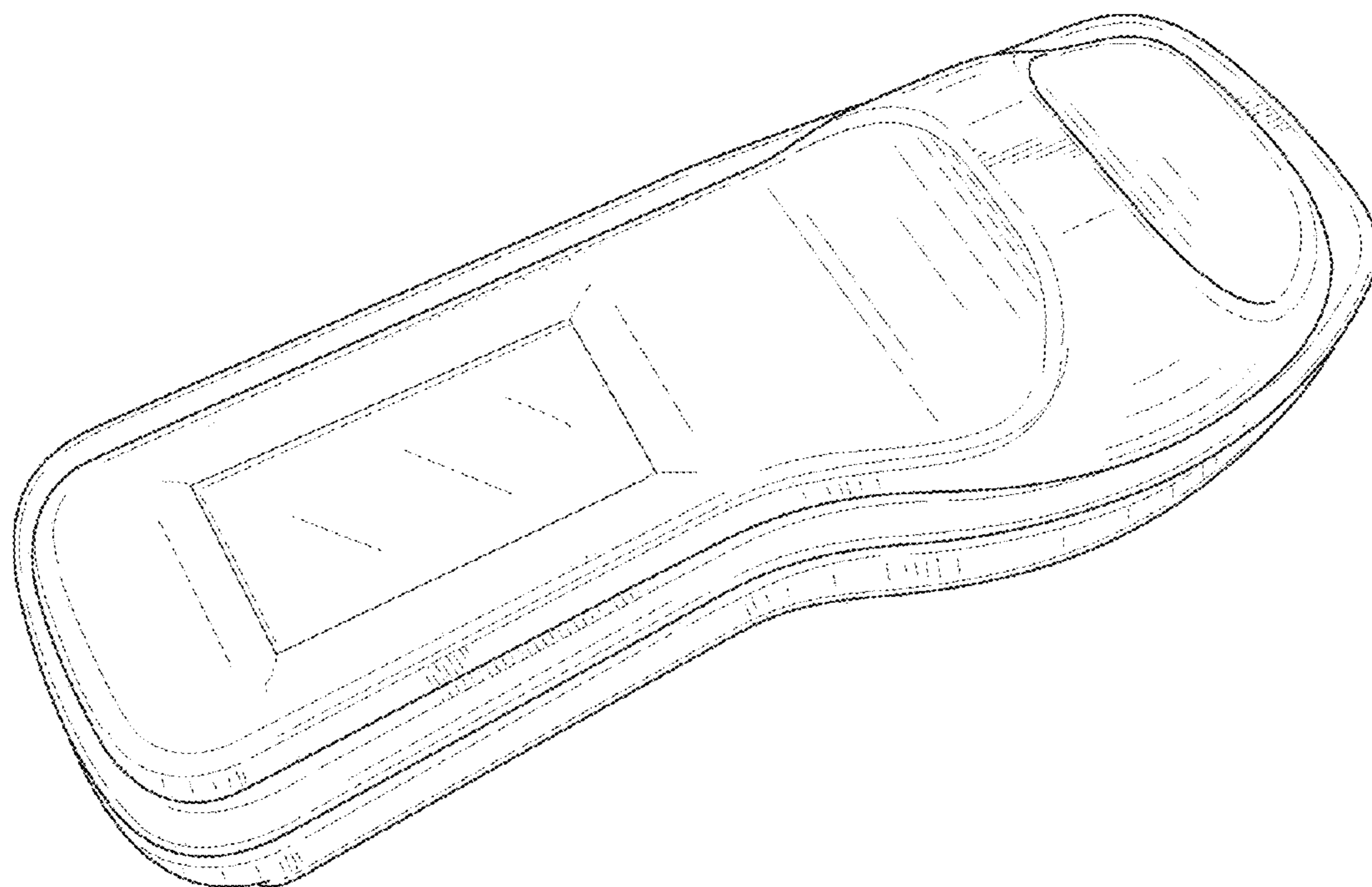
(57) **CLAIM**

The ornamental design for a security tag with label display, as shown and described.

DESCRIPTION

FIG. 1 is a perspective view taken from the top and right side showing the new design;
FIG. 2 is a perspective view of the new design taken from the right side, top and front end thereof;
FIG. 3 is a perspective view of the new design taken from the bottom and front end;
FIG. 4 is a front end view thereof;
FIG. 5 is a rear end view thereof;
FIG. 6 is a right side elevation view thereof;
FIG. 7 is a left side elevation view thereof;
FIG. 8 is a top plan view thereof; and,
FIG. 9 is a bottom plan view of thereof.

1 Claim, 8 Drawing Sheets



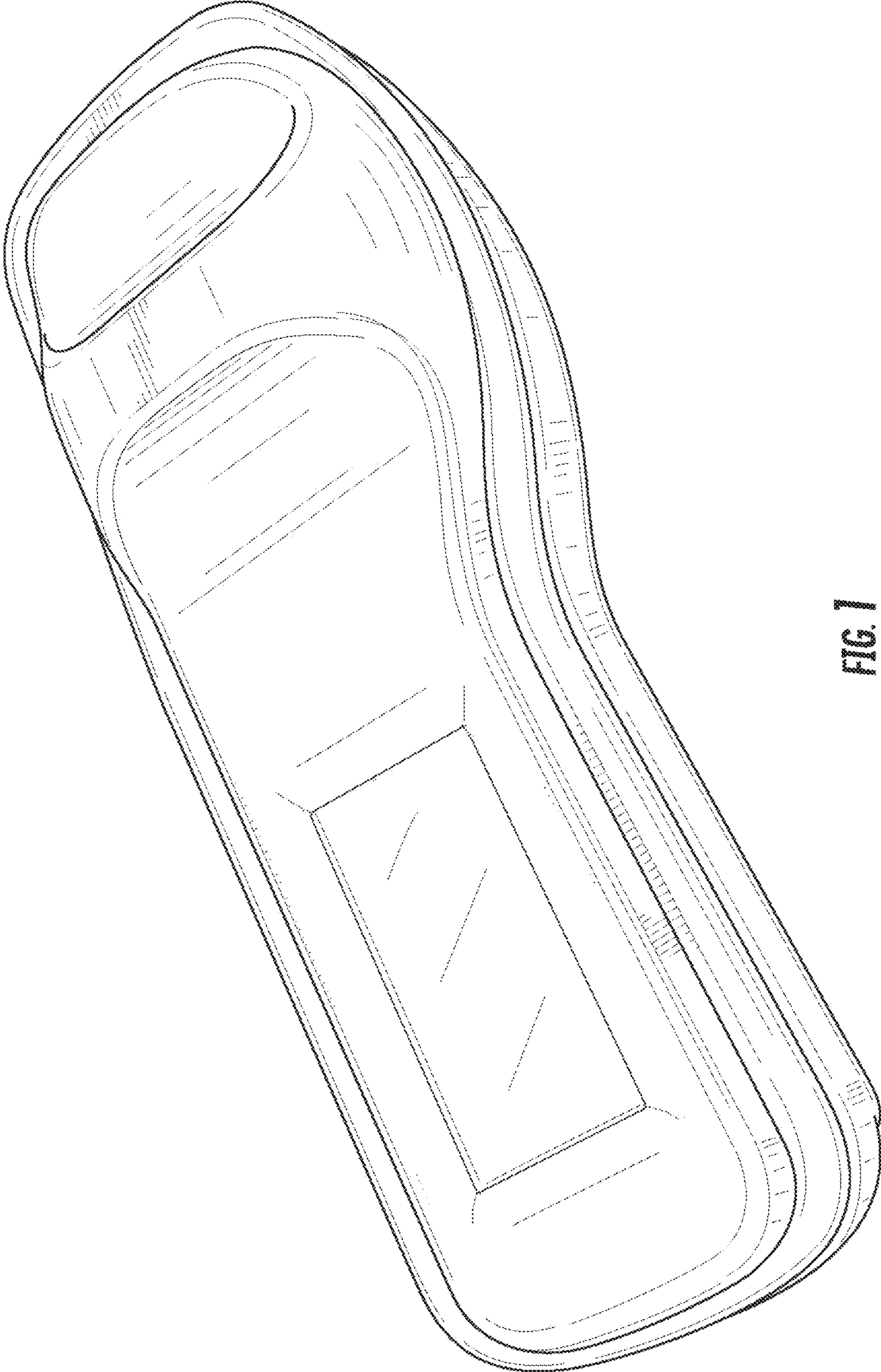


FIG. 1

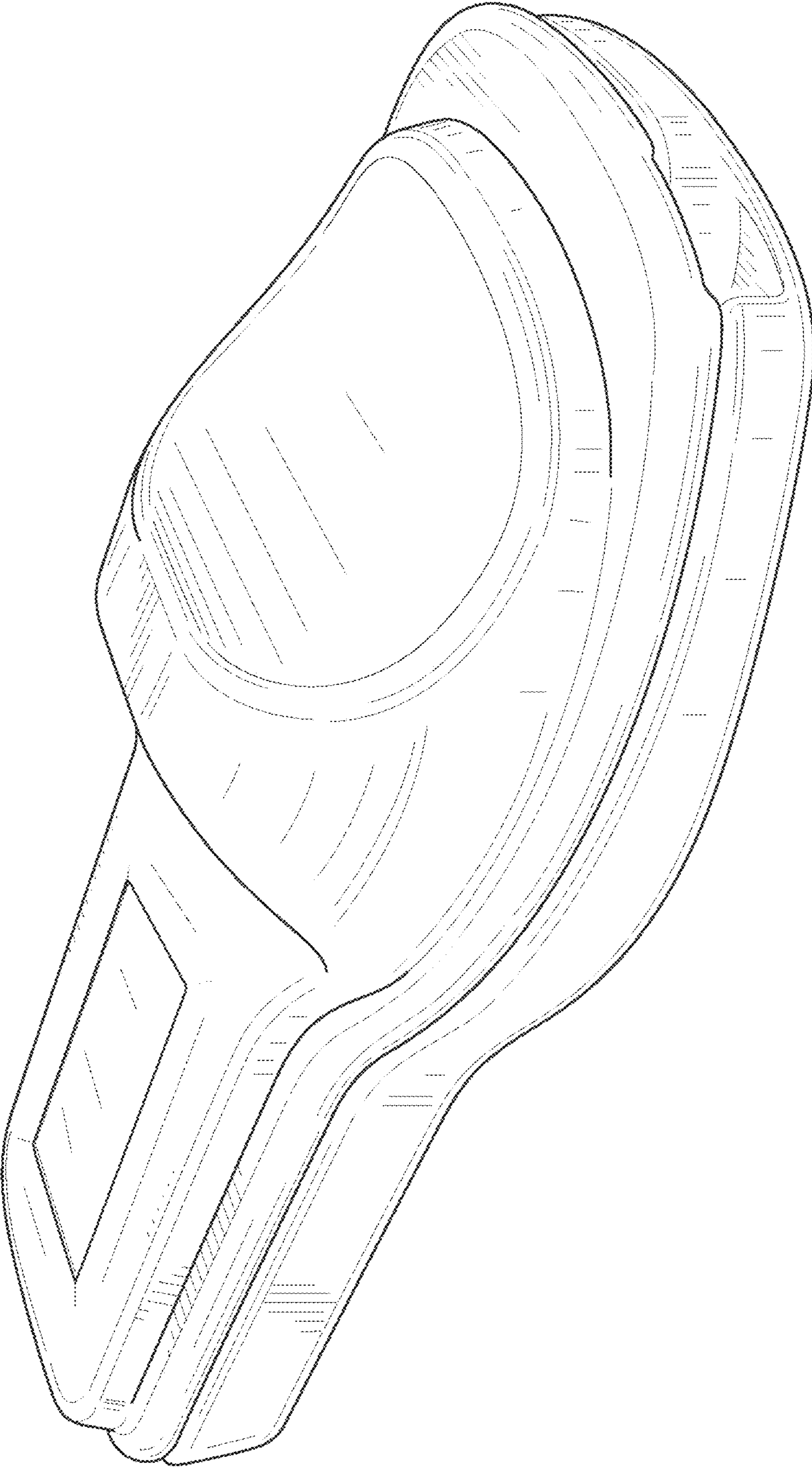


FIG. 2

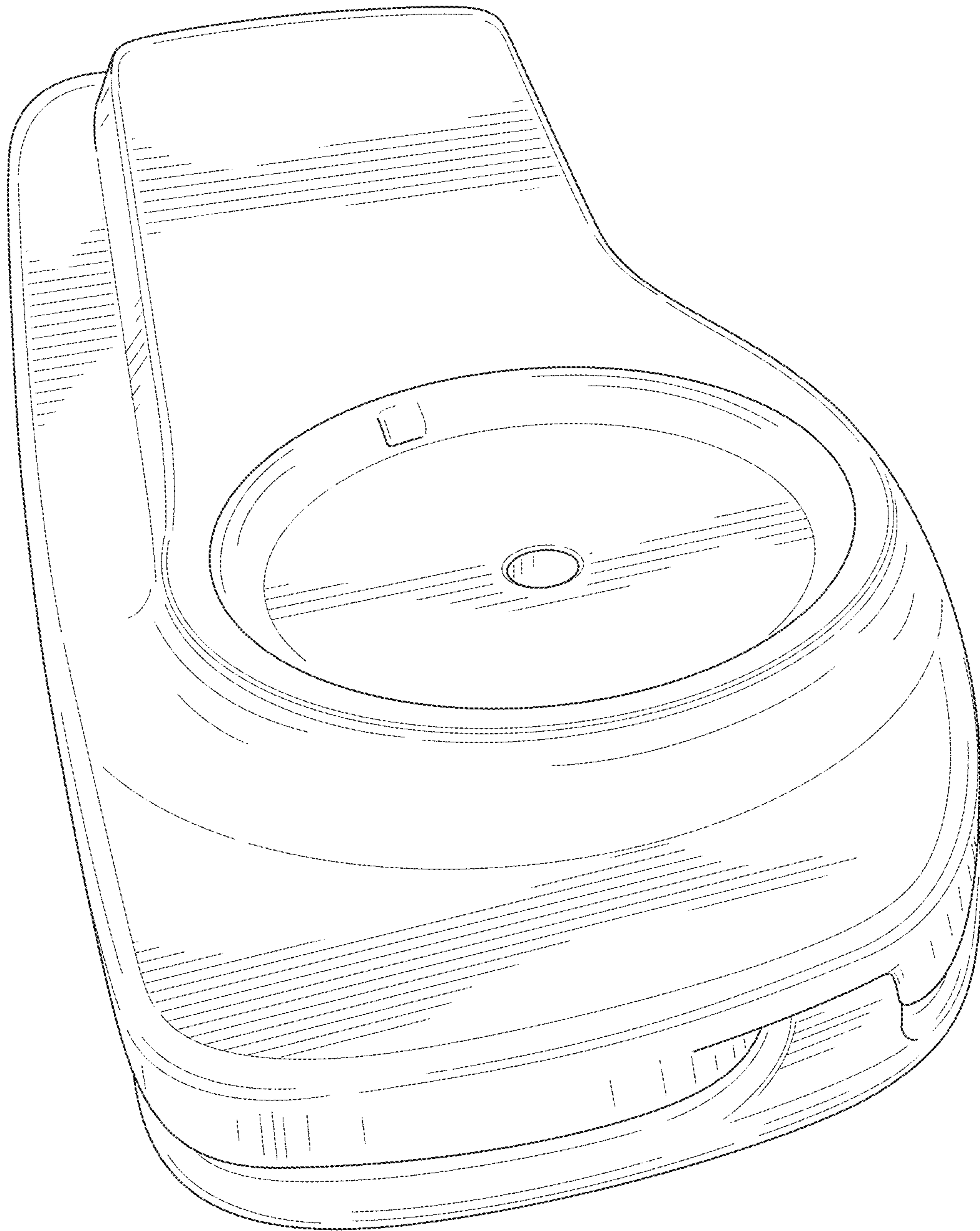


FIG. 3

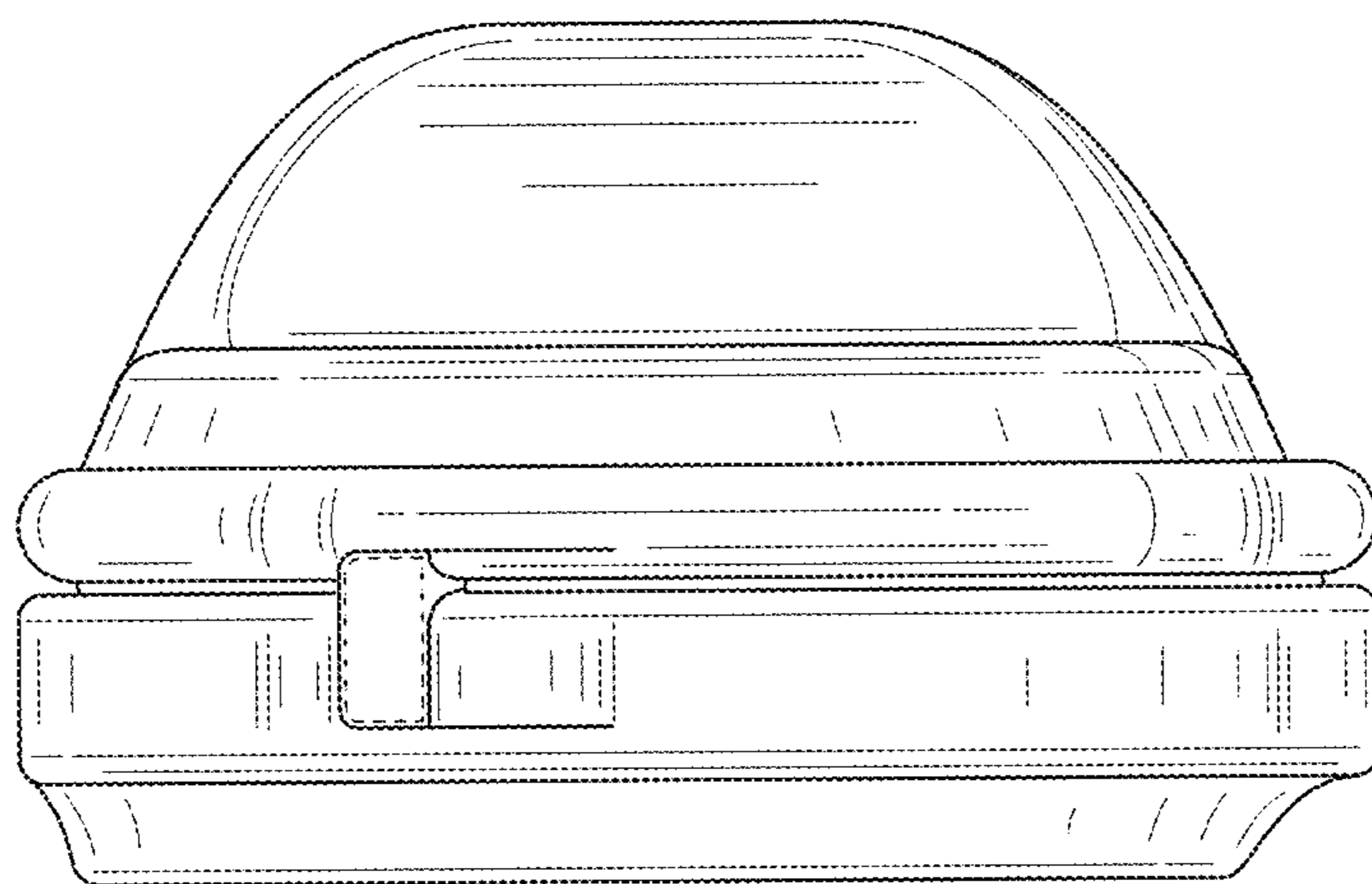


FIG. 4

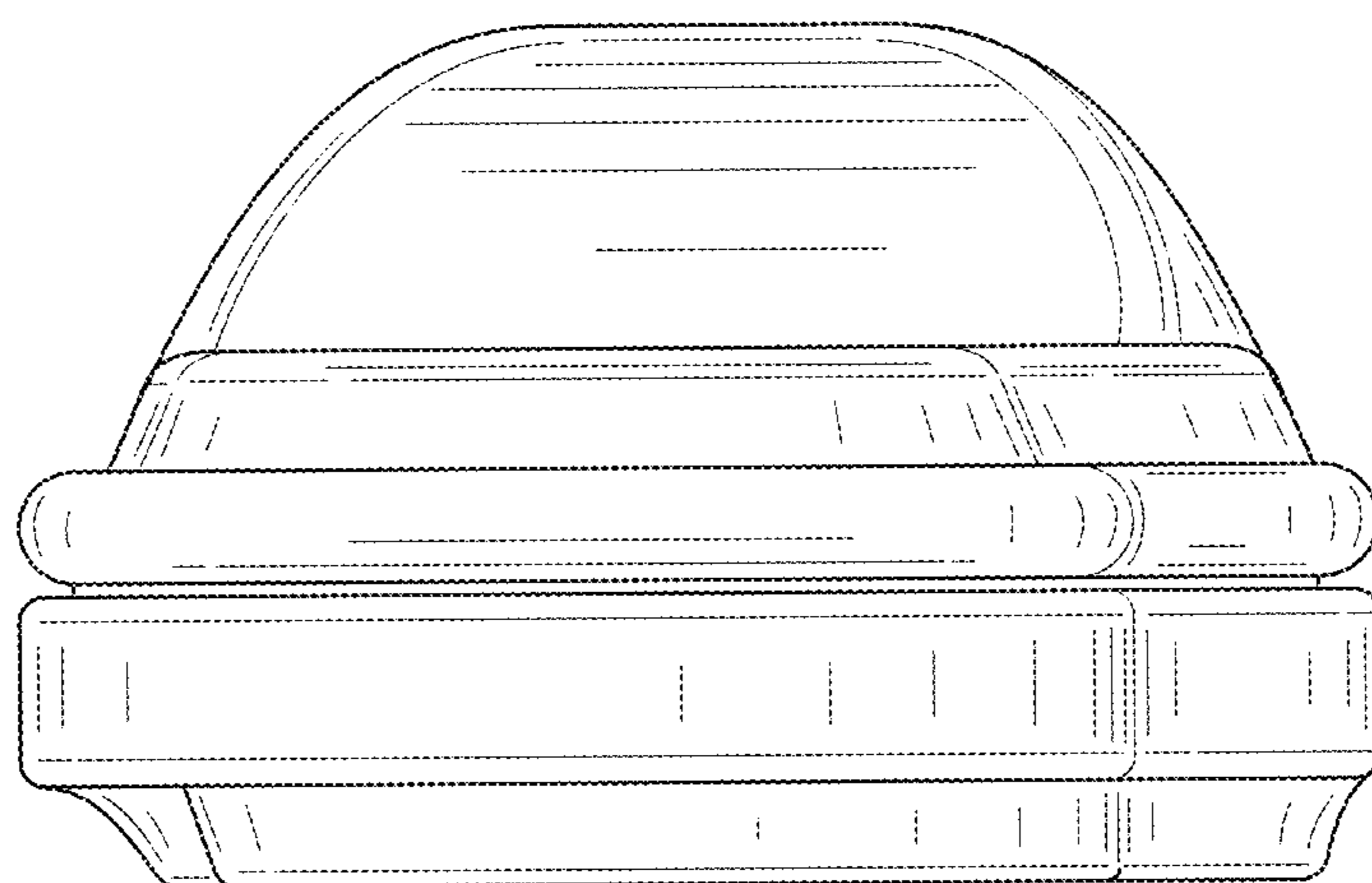


FIG. 5

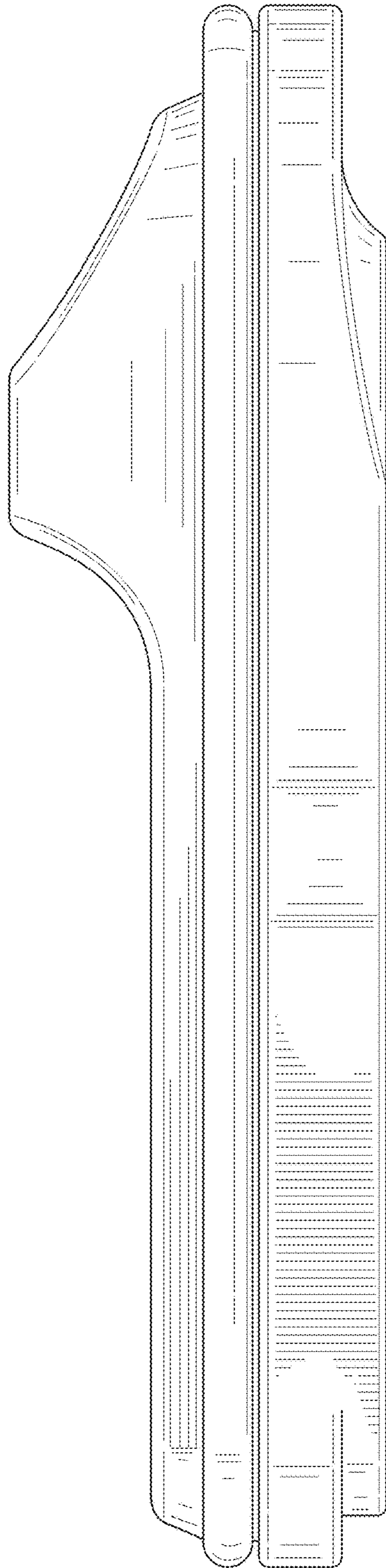


FIG. 6

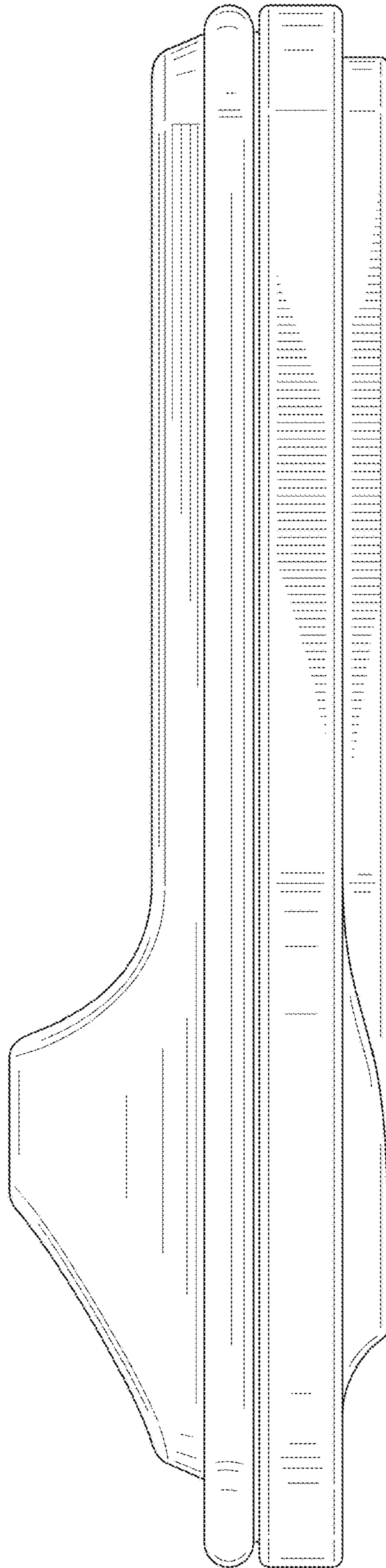


FIG. 7

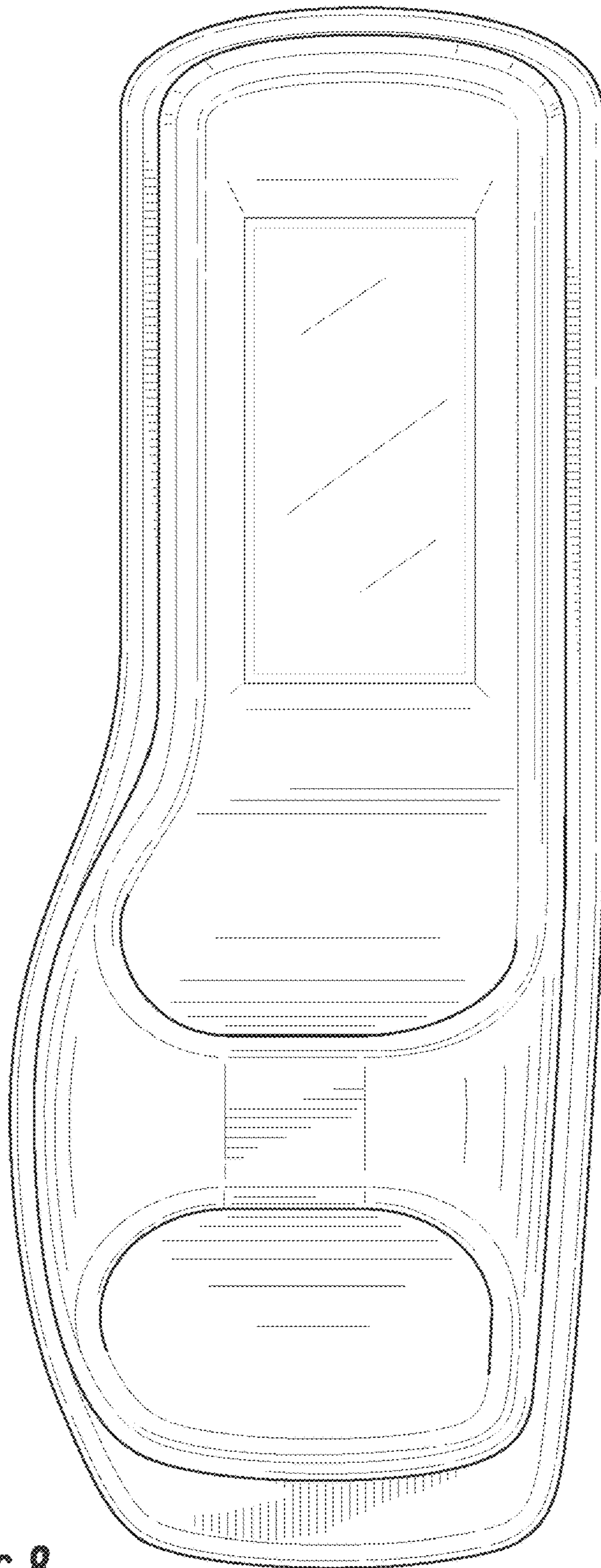


FIG. 8

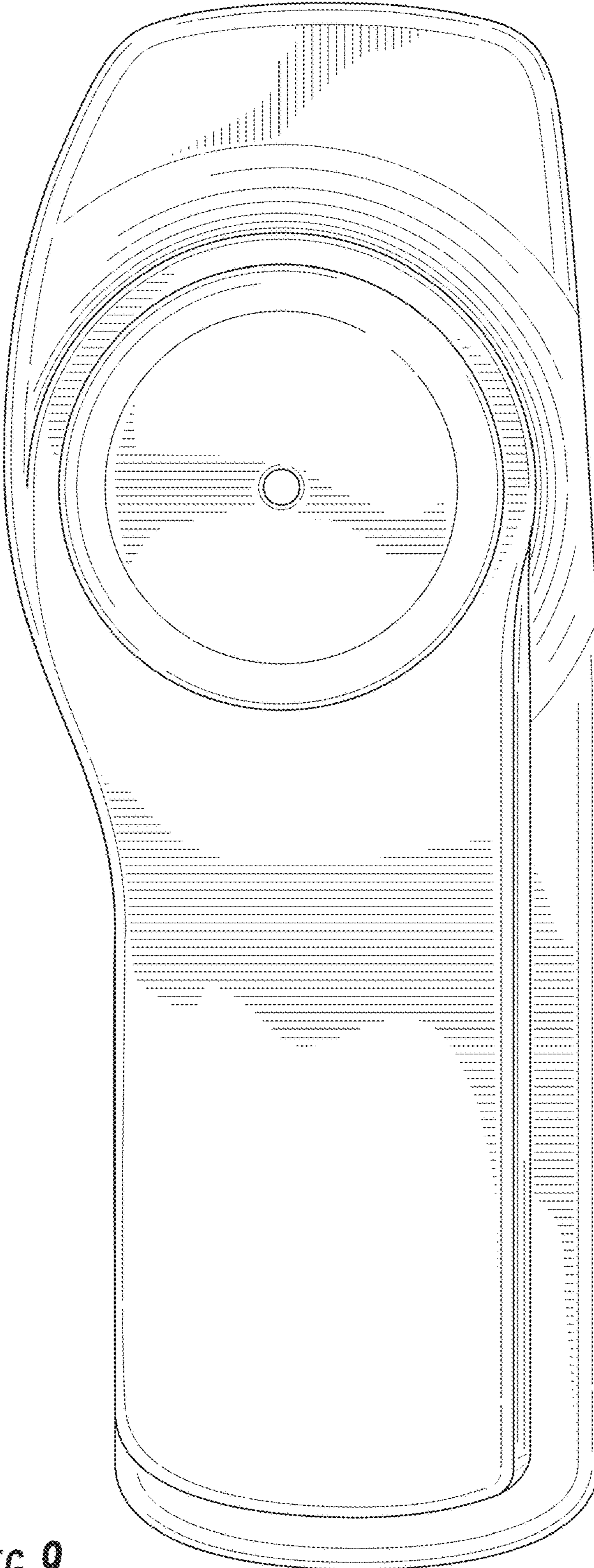


FIG. 9

UNITED STATES PATENT AND TRADEMARK OFFICE
CERTIFICATE OF CORRECTION

PATENT NO. : D892,660 S
APPLICATION NO. : 29/590974
DATED : August 11, 2020
INVENTOR(S) : Sergio M. Perez

Page 1 of 1

It is certified that error appears in the above-identified patent and that said Letters Patent is hereby corrected as shown below:

On the Title Page

Item (71) Applicant Reads:

“Sensormatic Eletronics, LLC”

Should Read:

--Sensormatic Electronics, LLC--

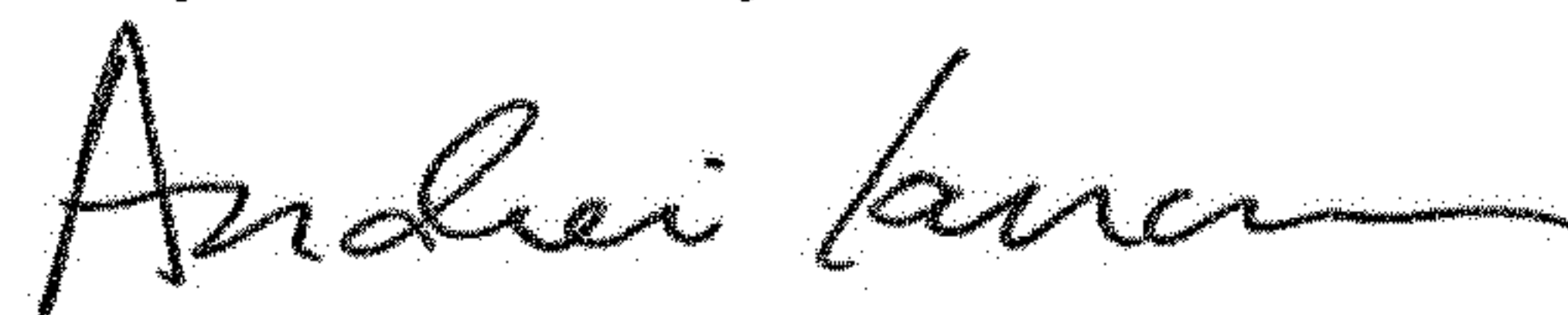
Item (73) Assignee Reads:

“Sensormatic Eletronics, LLC”

Should Read:

--Sensormatic Electronics, LLC--

Signed and Sealed this
Twenty-fourth Day of November, 2020



Andrei Iancu
Director of the United States Patent and Trademark Office