



US00D892658S

(12) **United States Design Patent** (10) **Patent No.:** **US D892,658 S**  
**Huckestein et al.** (45) **Date of Patent:** **\*\* Aug. 11, 2020**

(54) **WEIGHT SCALE ASSEMBLY**  
(71) Applicants: **William Huckestein**, Ventura, CA (US); **Bryan Kim**, Ventura, CA (US)  
(72) Inventors: **William Huckestein**, Ventura, CA (US); **Bryan Kim**, Ventura, CA (US)  
(\*\*) Term: **15 Years**  
(21) Appl. No.: **29/677,816**  
(22) Filed: **Jan. 23, 2019**  
(51) **LOC (12) Cl.** ..... **10-04**  
(52) **U.S. Cl.**  
USPC ..... **D10/94**  
(58) **Field of Classification Search**  
USPC ..... D10/91, 92, 94  
CPC .... G01G 21/28; G01G 21/283; G01G 21/286; G01G 21/30; G01G 23/37; G01G 23/3728; G01G 23/3735; G01G 19/44; G01G 19/445; G01G 19/46; G01G 19/48; G01G 19/50; G01G 21/44; G01G 19/286; G01G 19/30; A61B 5/053; A61B 5/4872; A61B 5/0537; A61B 5/4869; A61B 5/6825; A61B 5/6829; A61B 5/7445  
See application file for complete search history.

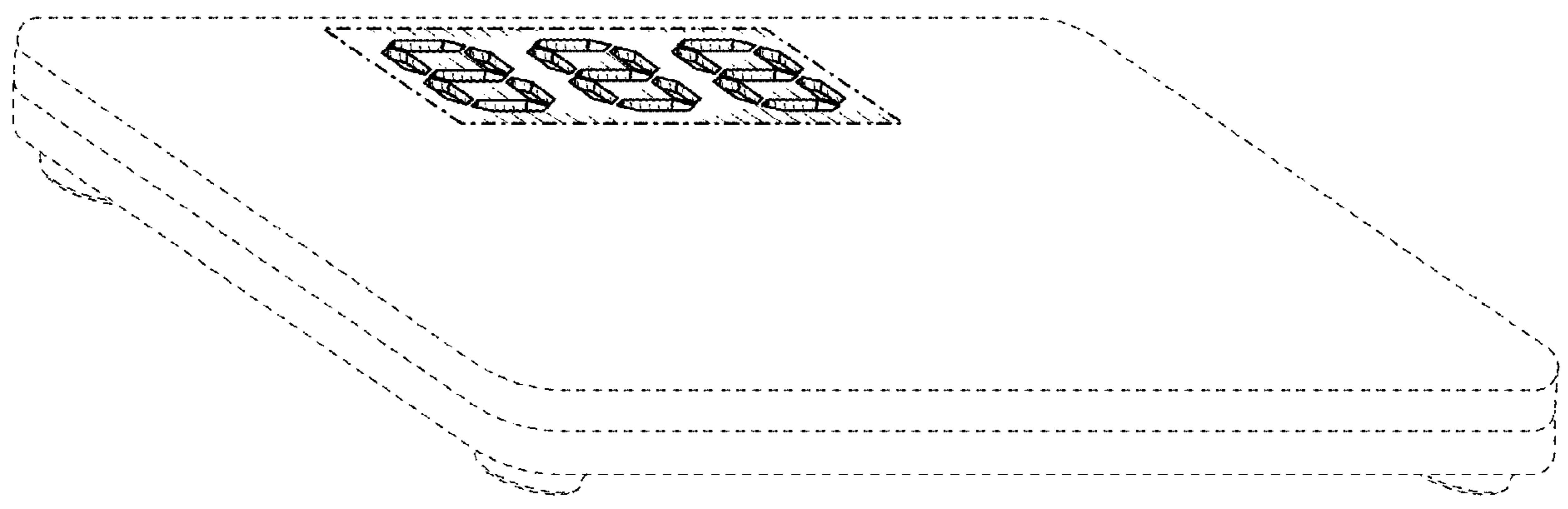
(56) **References Cited**  
U.S. PATENT DOCUMENTS  
D778,747 S \* 2/2017 Lebrat ..... D10/92

\* cited by examiner  
*Primary Examiner* — Antoine Duval Davis  
(74) *Attorney, Agent, or Firm* — QuickPatents, LLC; Kevin Prince

(57) **CLAIM**  
We claim the ornamental design for a weight scale assembly, as shown and described.

**DESCRIPTION**  
FIG. 1 is a perspective view of a first embodiment of a weight scale assembly shown in an assembled state; FIG. 2 is a top plan view of FIG. 1; FIG. 3 is a bottom plan view of FIG. 1; FIG. 4 is a front elevational view of FIG. 1, the rear elevational view being a mirror image thereof; FIG. 5 is a left-side elevational view of FIG. 1, the right-side elevational view being a mirror image thereof; FIG. 6 is an exploded top perspective view of FIG. 1, showing a foam pad and a weight scale separately for clarity of illustration; FIG. 7 is an exploded bottom perspective view of FIG. 1, showing the foam pad exploded away from the weight scale; FIG. 8 is a reduced, exploded top plan view thereof; FIG. 9 is a perspective view of a second embodiment thereof; FIG. 10 is a top plan view of FIG. 9; FIG. 11 is a bottom plan view of FIG. 9; FIG. 12 is a front elevational view of FIG. 9, the rear elevational view being a mirror image thereof; FIG. 13 is a left-side elevational view of FIG. 9, the right-side elevational view being a mirror image thereof; FIG. 14 is an exploded top perspective view of FIG. 9, showing a cover, the foam mat, and the weight scale separately for clarity of illustration; FIG. 15 is an exploded bottom perspective view of FIG. 9, showing the cover, the foam mat, and the weight scale separately for clarity of; and, FIG. 16 is an exploded top plan view of FIG. 9, showing the cover, the foam mat, and the weight scale separately for clarity of illustration.  
The dot-dash-dot type broken lines in the figures represent bounds of the claimed design. Elements outside of the bounds and drawn with standard broken lines form no part of the claimed design.

**1 Claim, 12 Drawing Sheets**



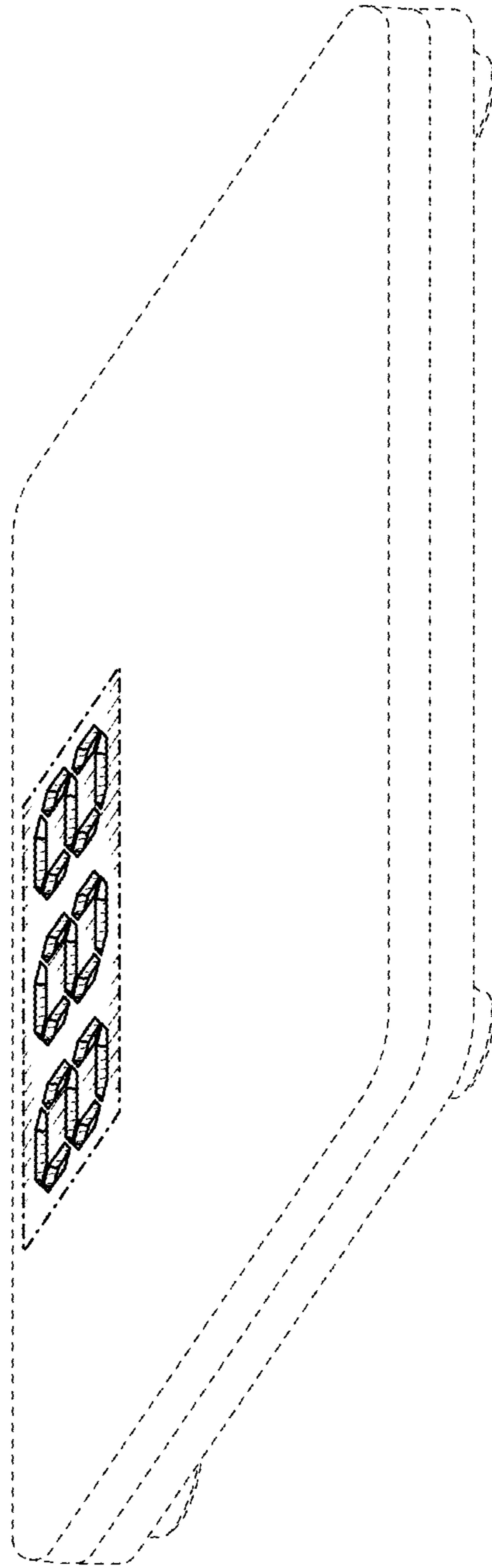


FIG. 1

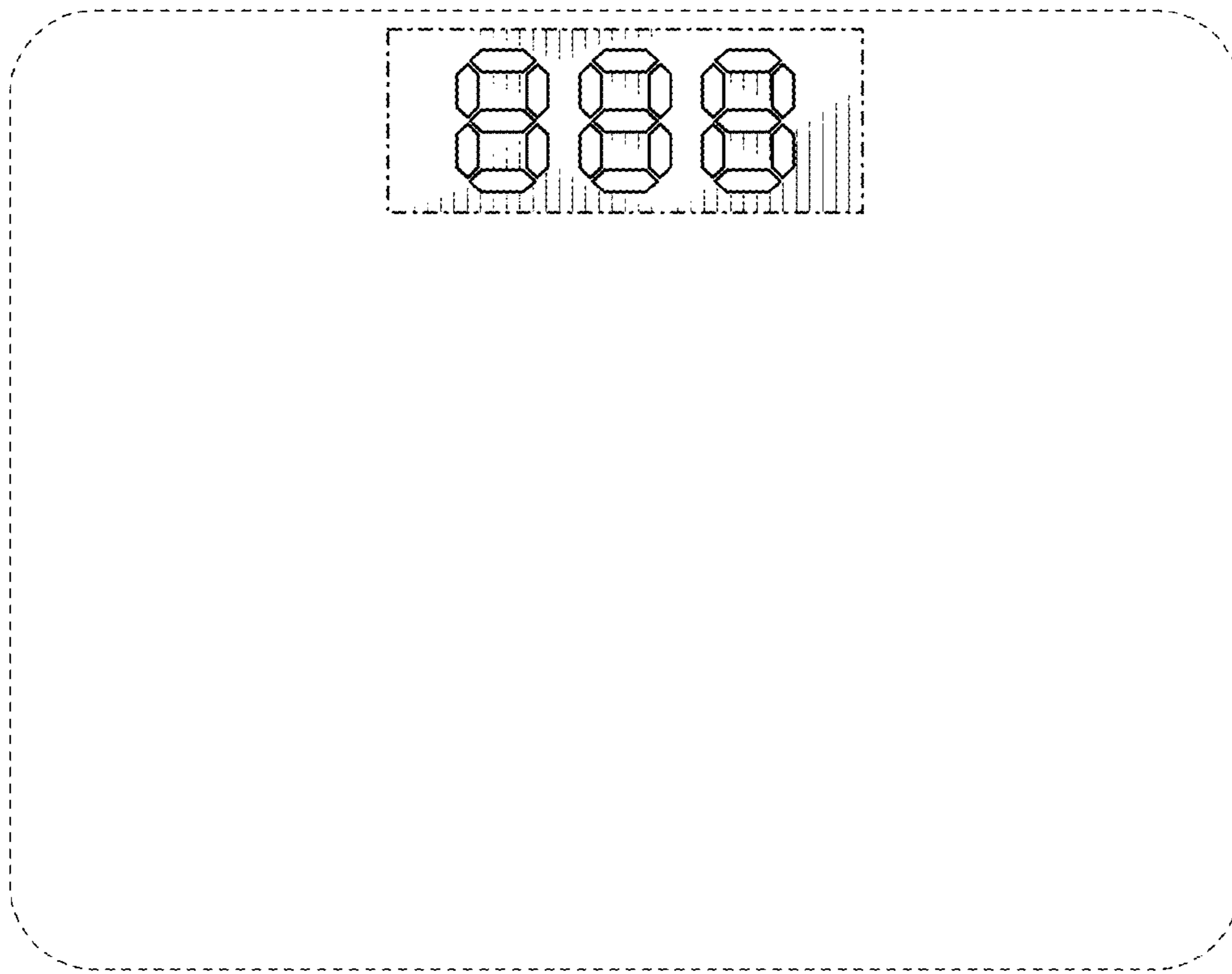


FIG. 2

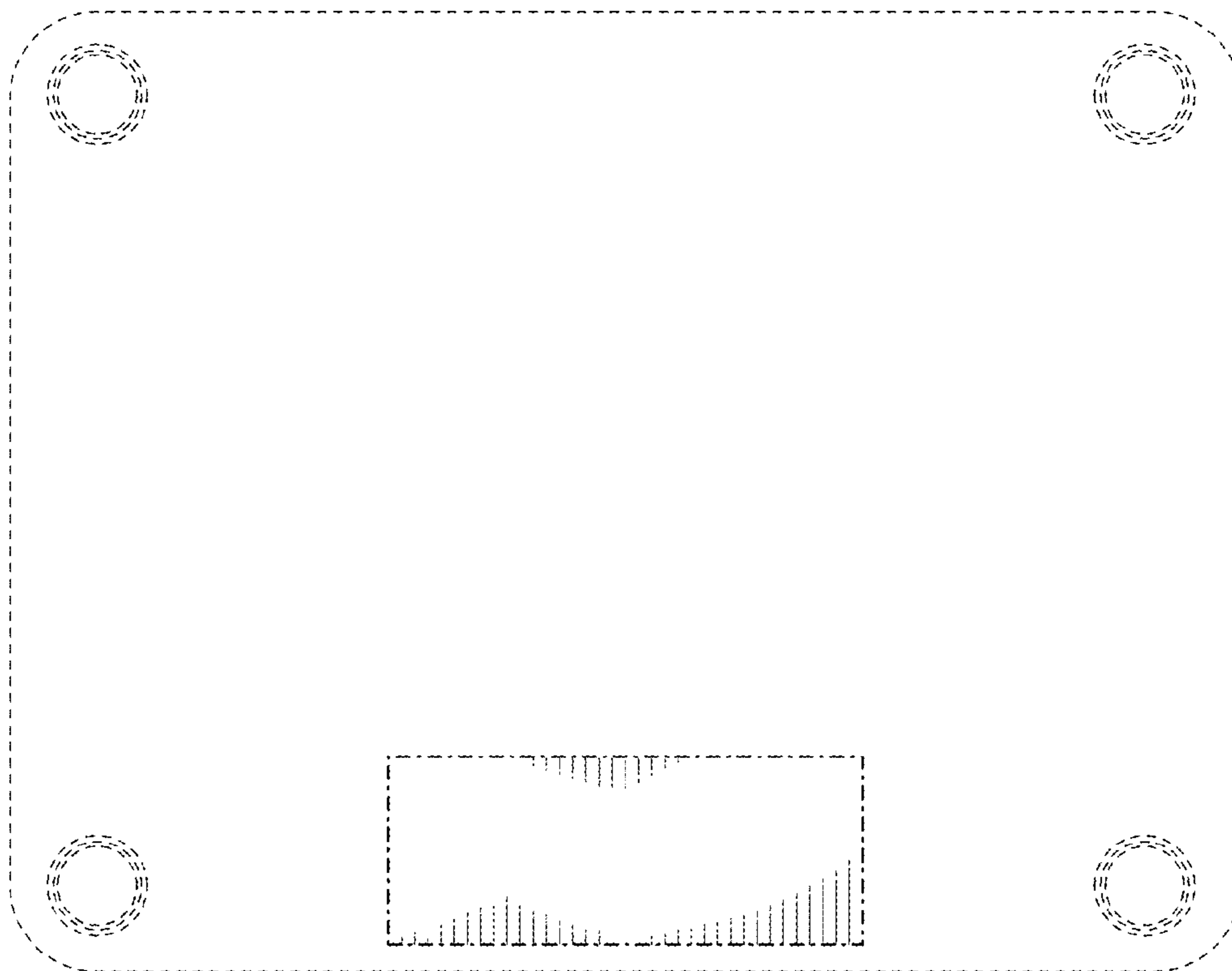


FIG. 3

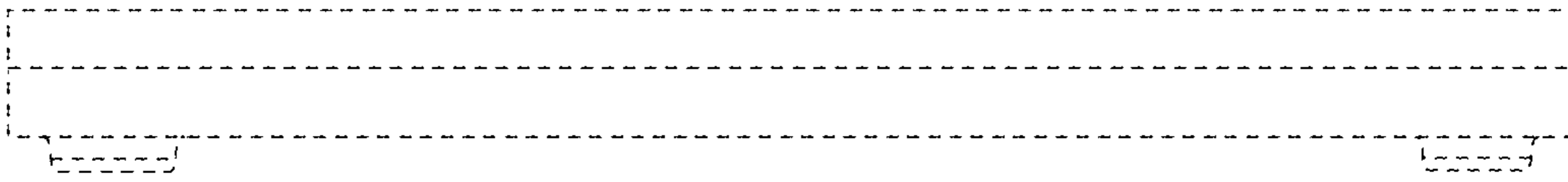


FIG. 4

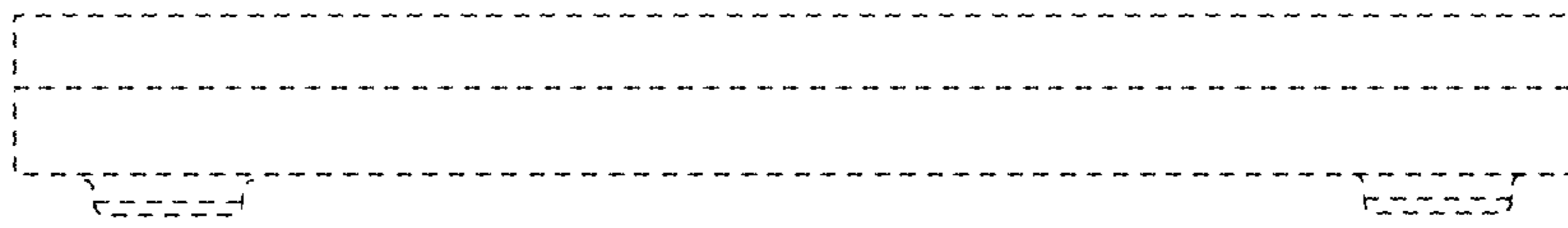


FIG. 5

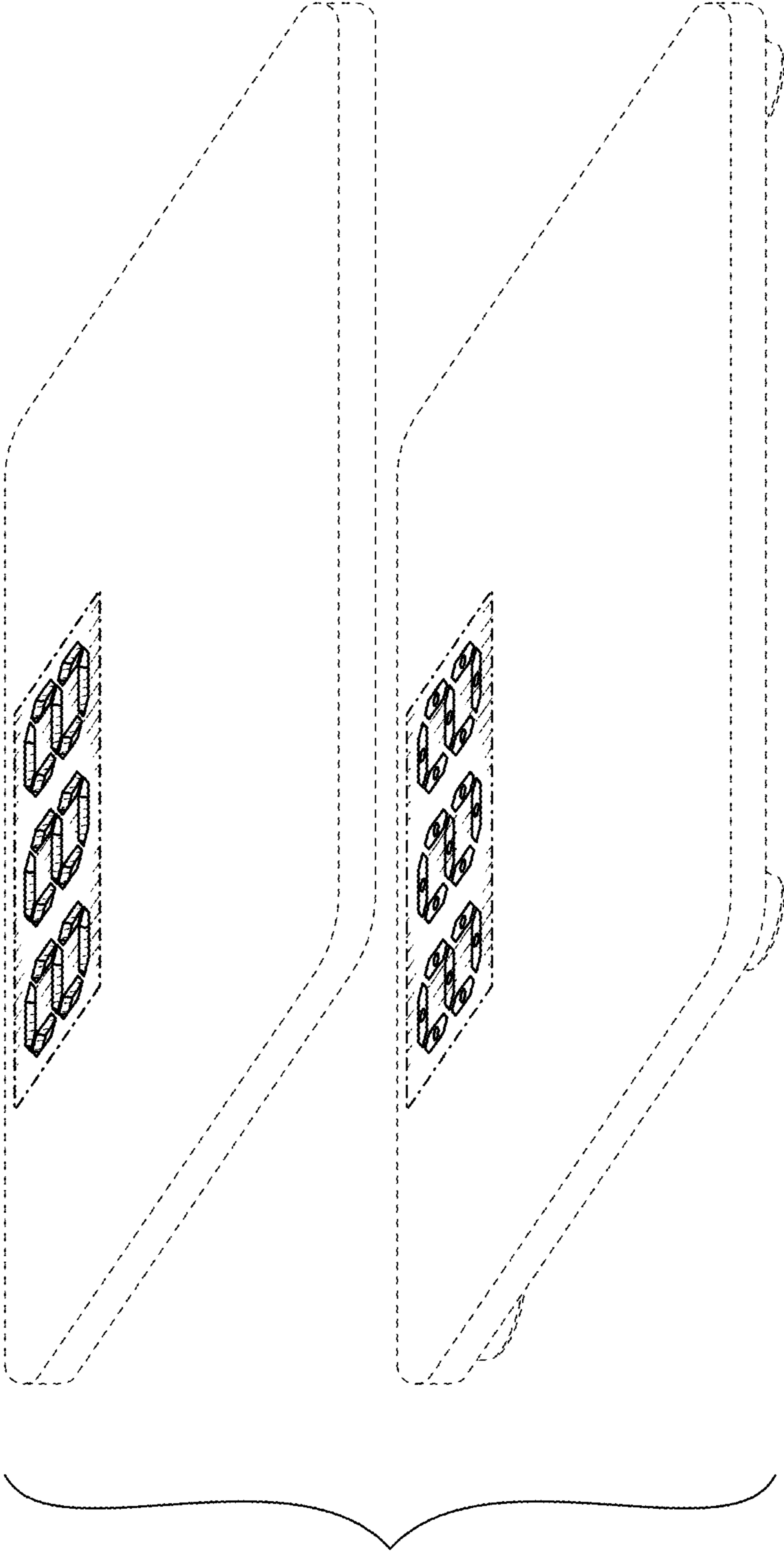


FIG. 6

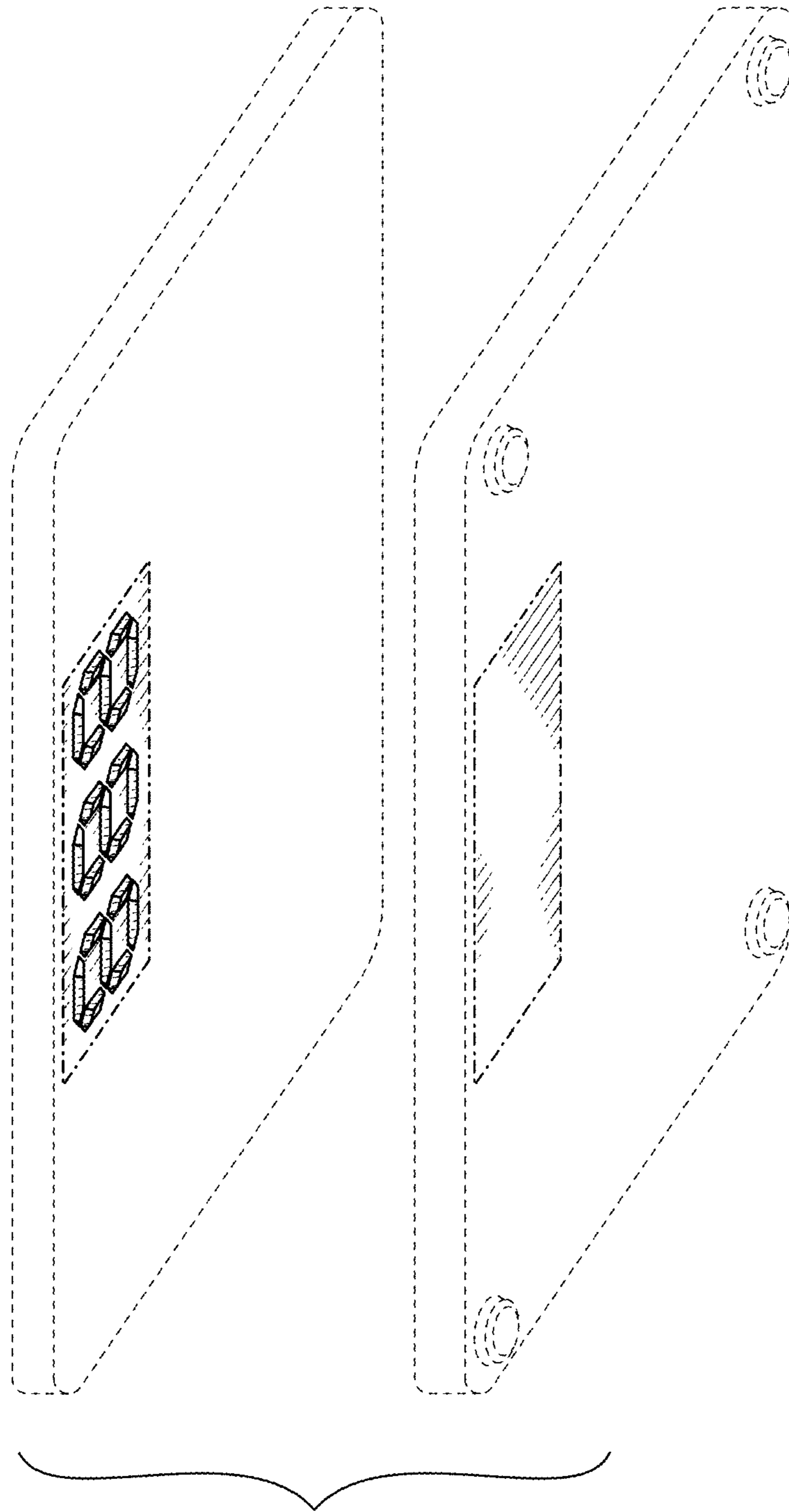


FIG. 7

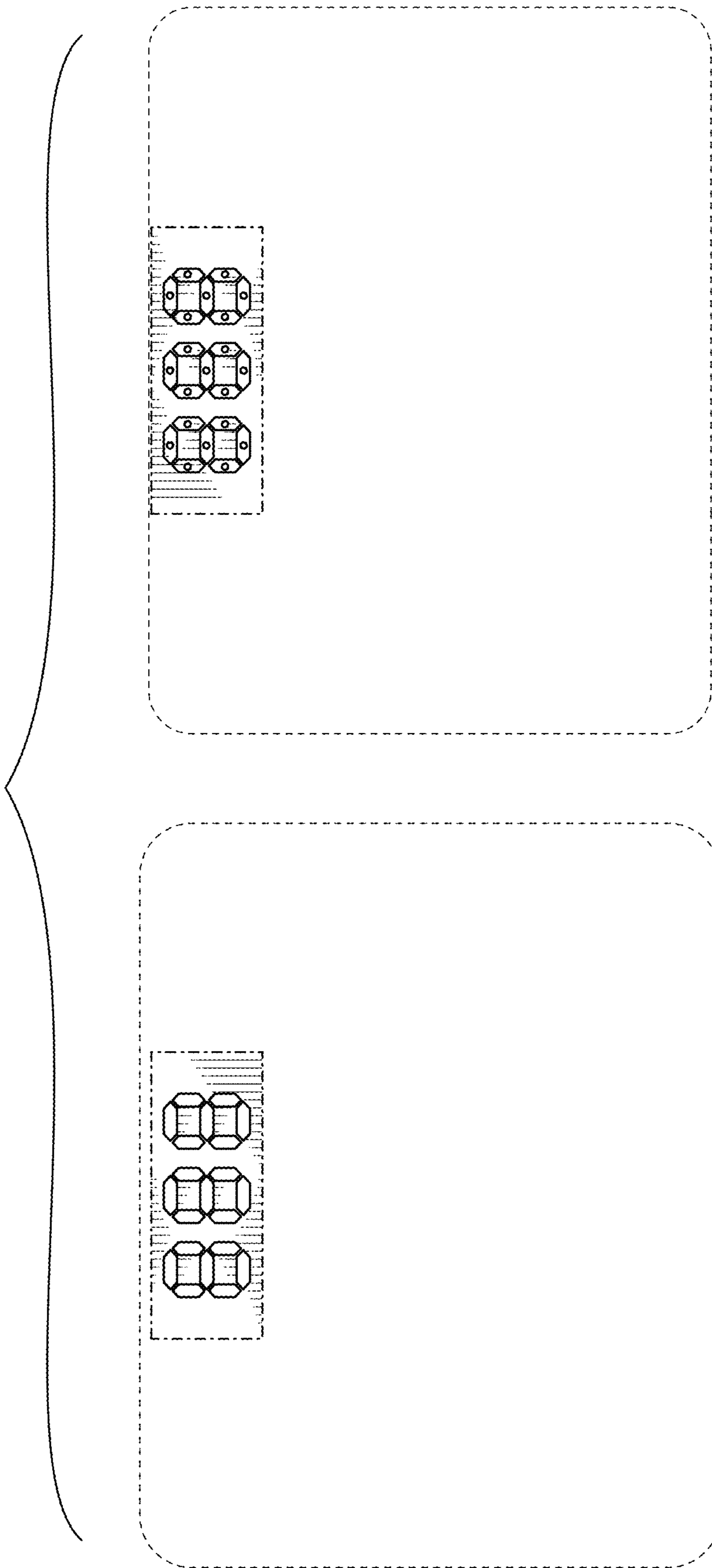


FIG. 8

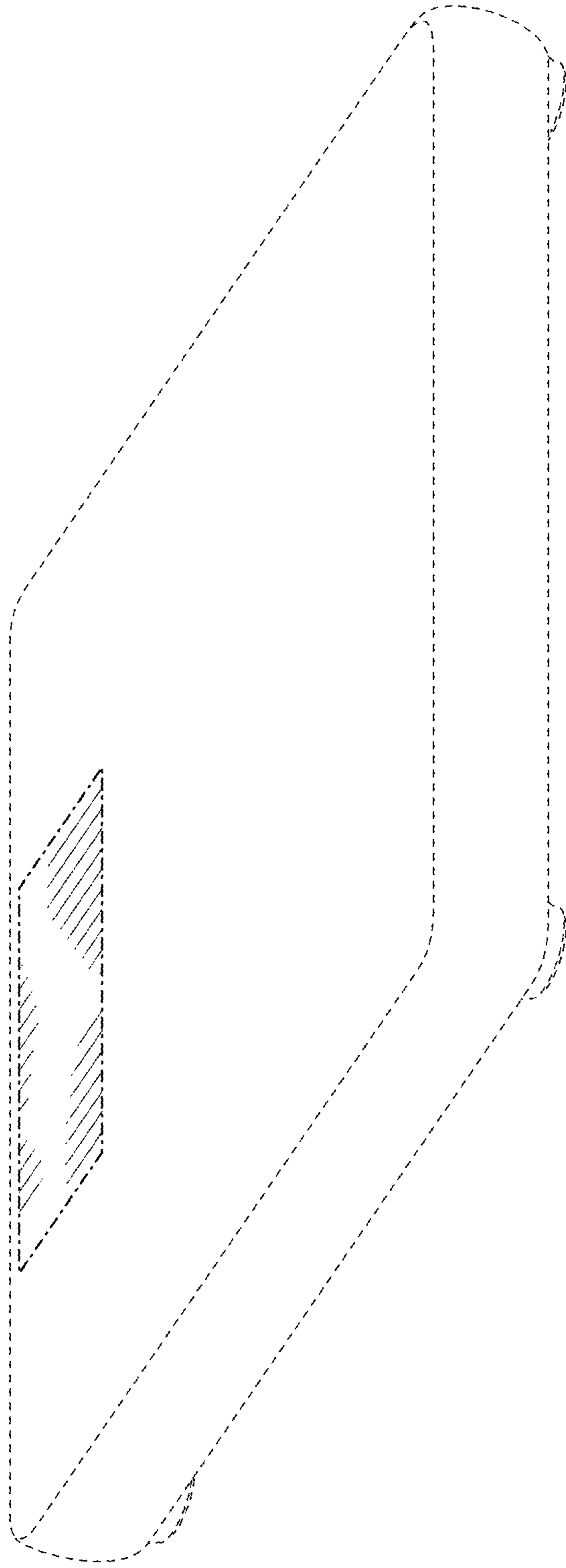


FIG. 9



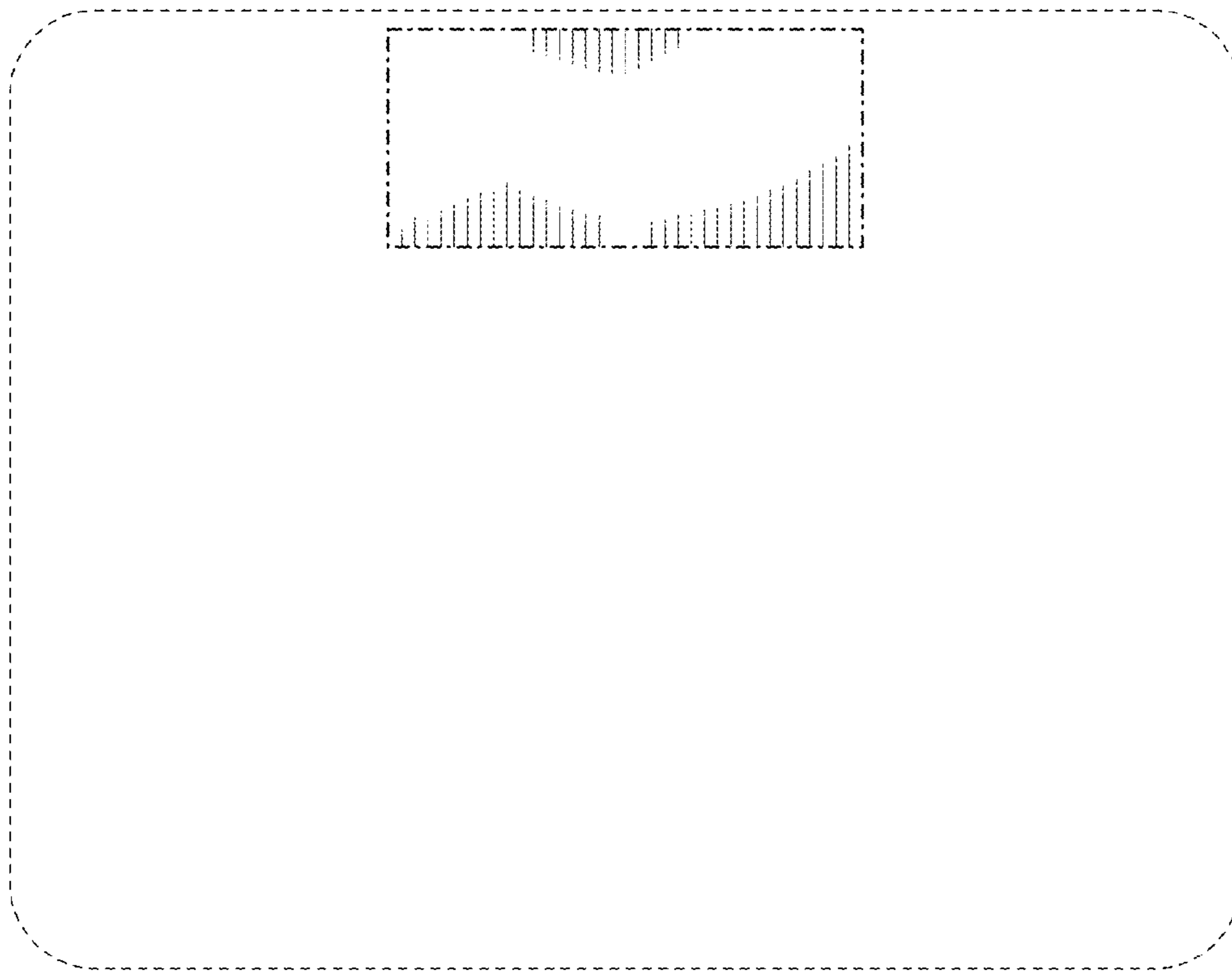


FIG. 10

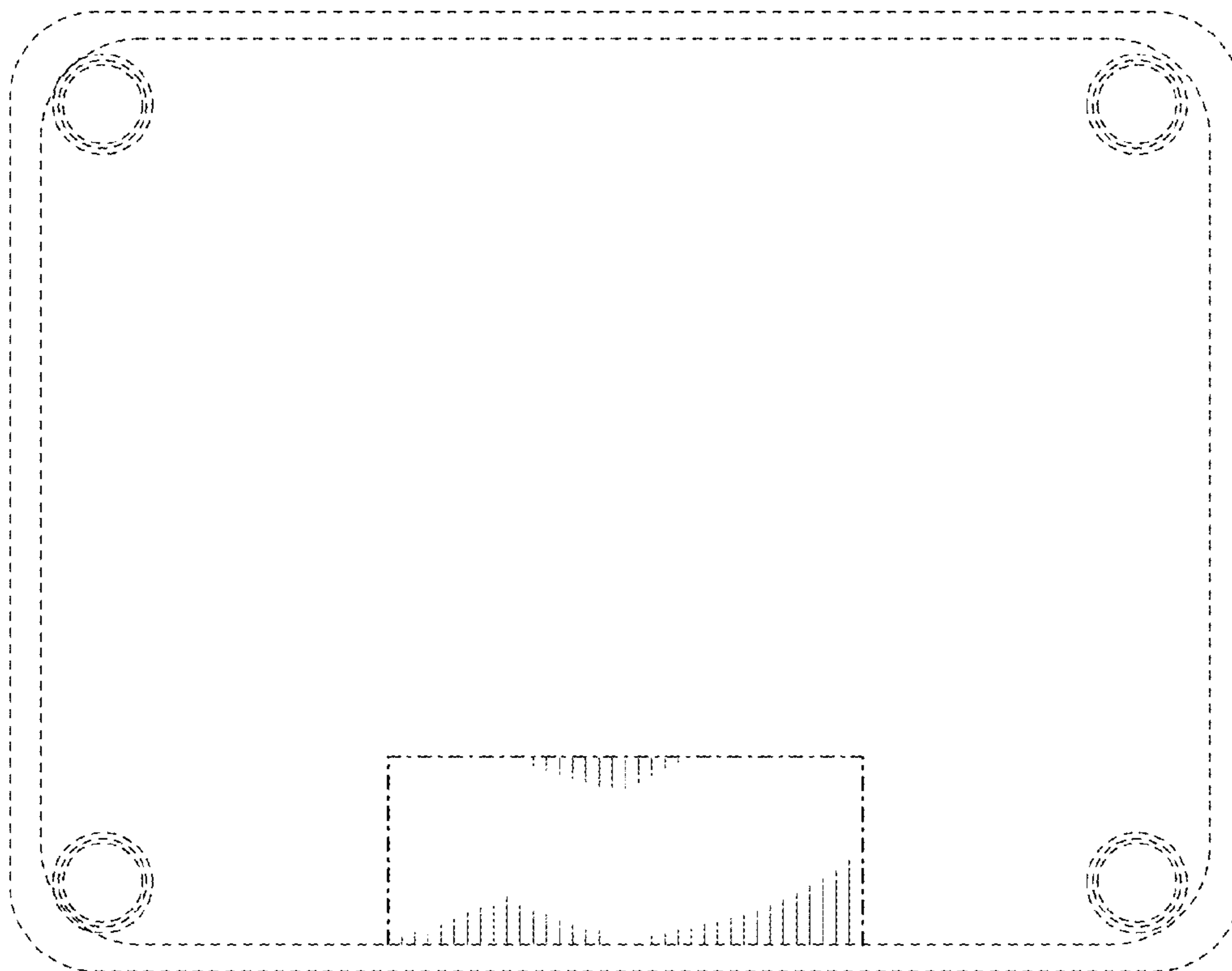


FIG. 11

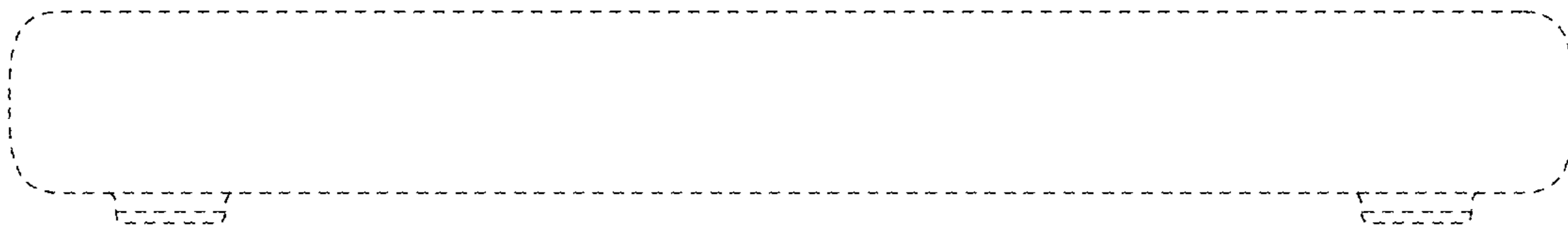


FIG. 12

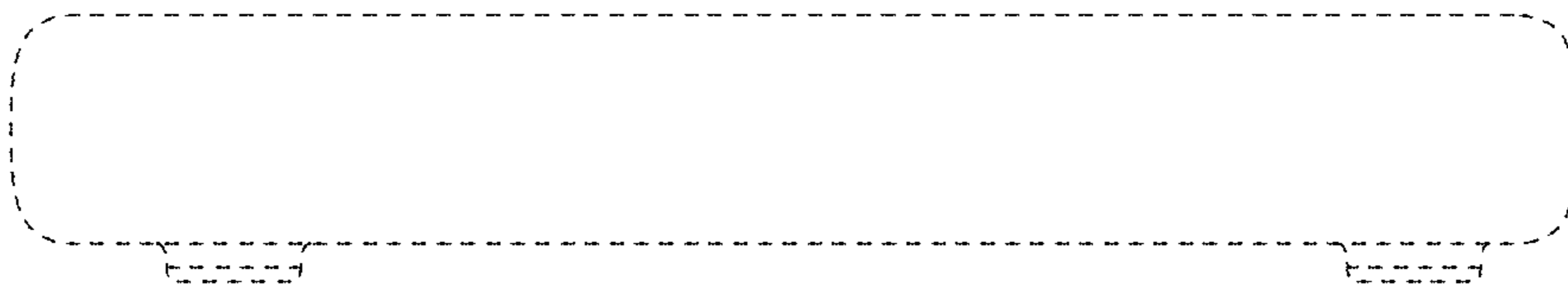


FIG. 13

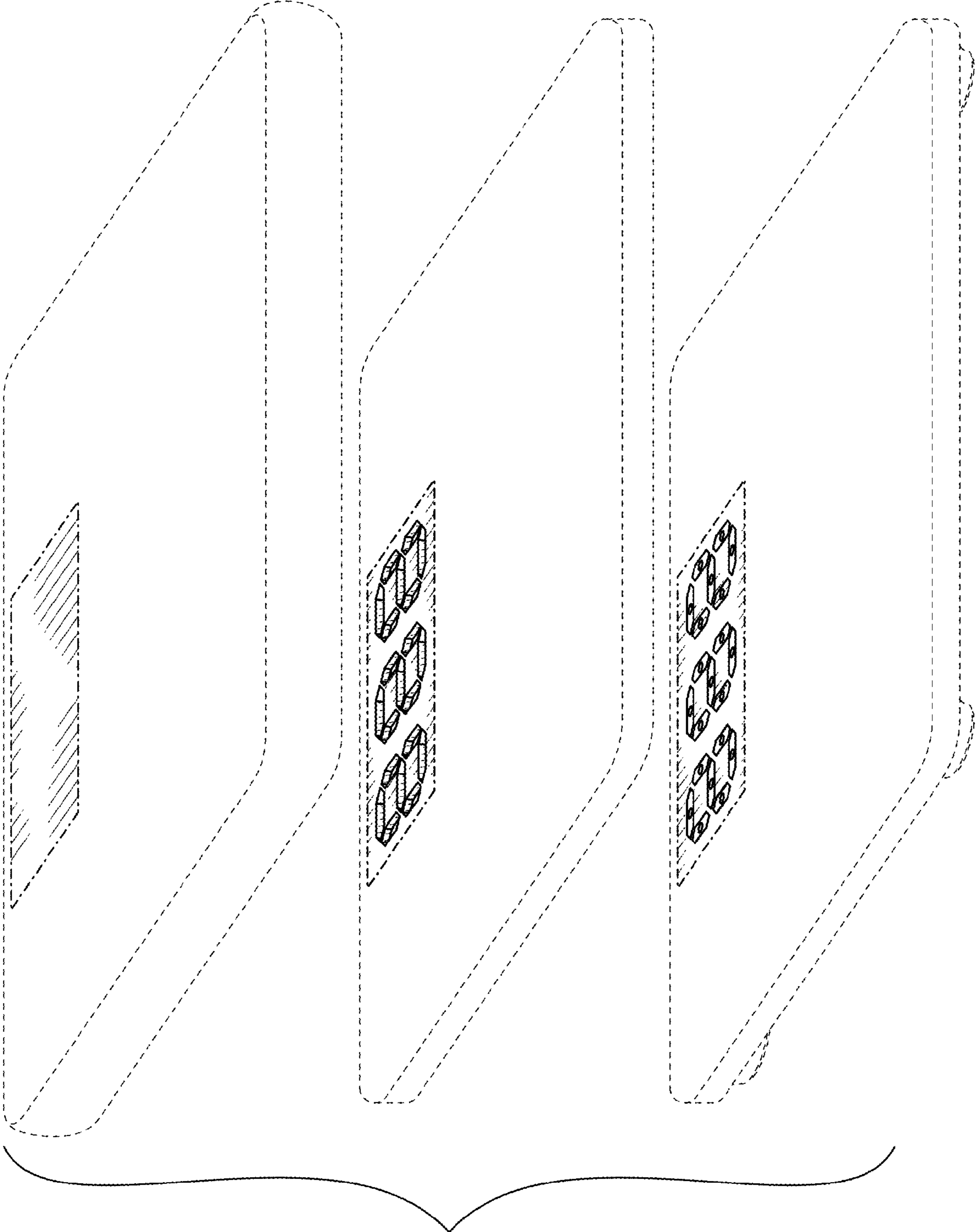


FIG. 14

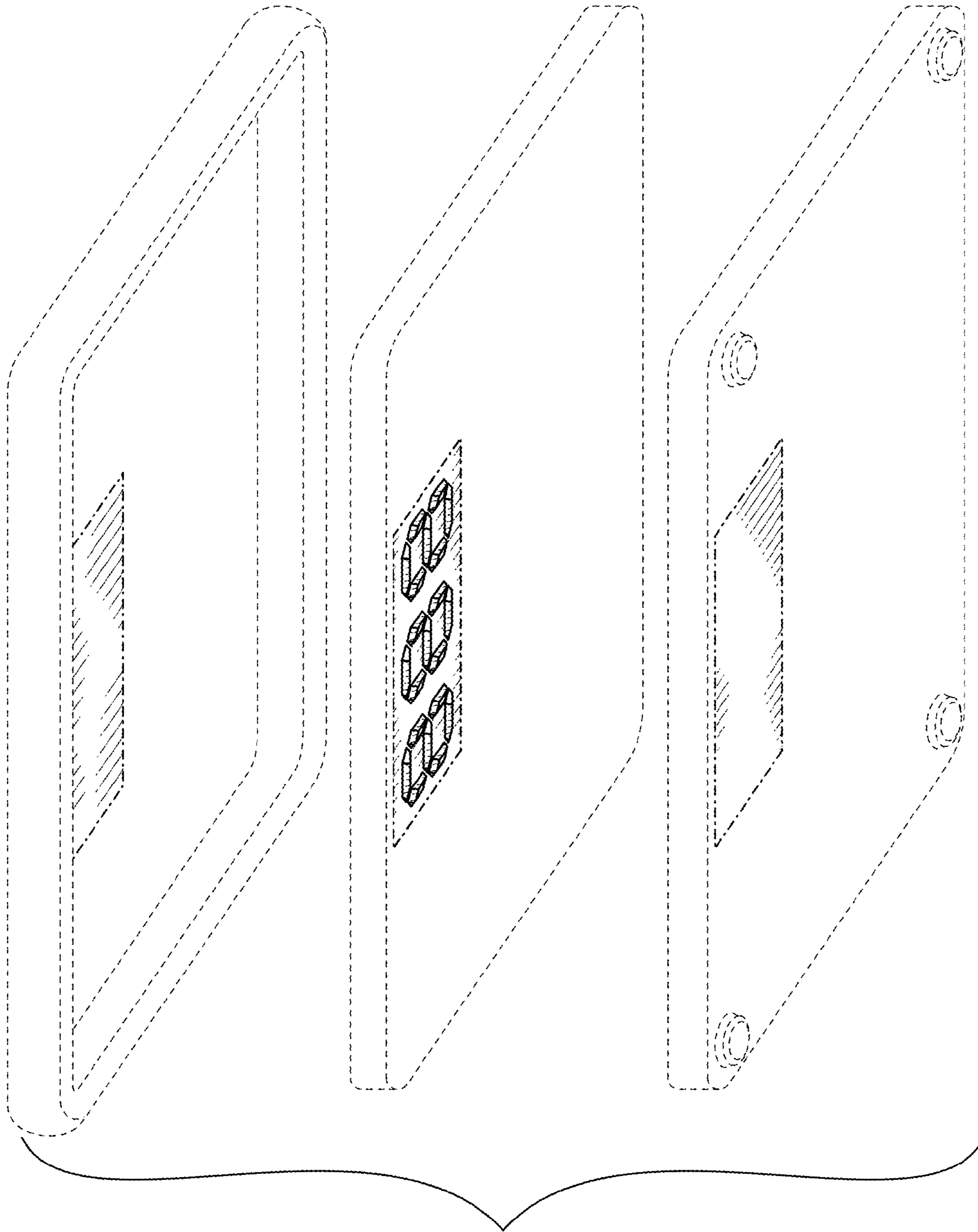


FIG. 15

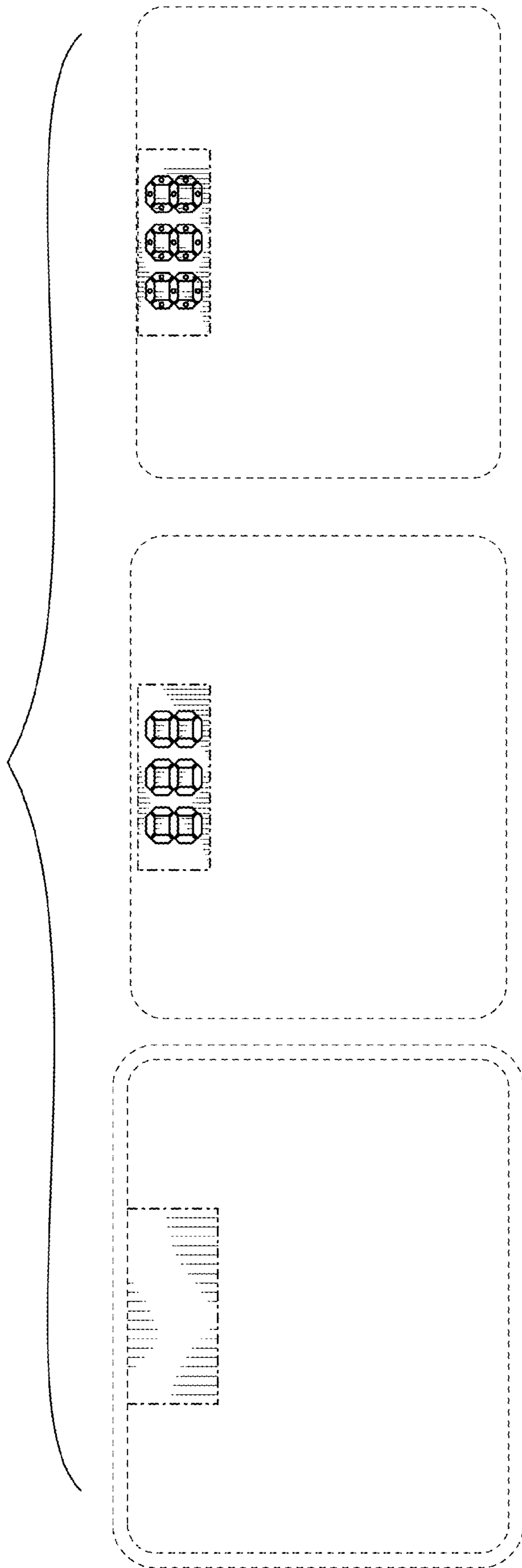


FIG. 16