



US00D892655S

(12) **United States Design Patent**
Green et al.

(10) **Patent No.:** **US D892,655 S**

(45) **Date of Patent:** **** Aug. 11, 2020**

(54) **HANDHELD MINIATURE VISIBLE SPECTRAL SPECTROMETER**

(71) Applicant: **Ocean Optics, Inc.**, Largo, FL (US)

(72) Inventors: **Steve Green**, Oxford (GB); **Andrew Last**, Oxford (GB); **Terry Gander**, Oxford (GB)

(73) Assignee: **Ocean Optics, Inc.**, Largo, FL (US)

(**) Term: **15 Years**

(21) Appl. No.: **29/675,693**

(22) Filed: **Jan. 4, 2019**

(51) **LOC (12) Cl.** **10-04**

(52) **U.S. Cl.**
USPC **D10/81; D10/47**

(58) **Field of Classification Search**
USPC D10/47, 81
CPC G01J 3/0291; G01J 3/0259; G01J 3/0256; G01J 3/0272; G01J 1/02; G01J 1/0204; G01J 1/0237; G01J 2003/0257; G01J 2003/0261; G01J 3/4532; G01J 3/45; G01N 23/10; G01N 23/223; G01N 2223/076; G01N 29/226; G01N 2223/0763; G01N 2223/0766; H05G 1/02; H05G 1/06; H05G 1/023

See application file for complete search history.

(56) **References Cited**

U.S. PATENT DOCUMENTS

D770,921 S * 11/2016 Nenonen D10/81

9,562,848 B2 * 2/2017 Goldring G01J 3/0275

* cited by examiner

Primary Examiner — Antoine Duval Davis

(74) *Attorney, Agent, or Firm* — Dinsmore & Shohl, LLP

(57) **CLAIM**

The ornamental design for a handheld miniature visible spectral spectrometer, as shown and described.

DESCRIPTION

FIG. 1 is a front, bottom perspective view of a handheld miniature visible spectral spectrometer showing my new design;

FIG. 2 is a back, top perspective view of a handheld miniature visible spectral spectrometer showing my new design;

FIG. 3 is a top view of a handheld miniature visible spectral spectrometer showing my new design;

FIG. 4 is a bottom view of a handheld miniature visible spectral spectrometer showing my new design;

FIG. 5 is a front view of a handheld miniature visible spectral spectrometer showing my new design;

FIG. 6 is a back view of a handheld miniature visible spectral spectrometer showing my new design;

FIG. 7 is a left side view of a handheld miniature visible spectral spectrometer showing my new design; and,

FIG. 8 is a right side view of a handheld miniature visible spectral spectrometer showing my new design.

1 Claim, 6 Drawing Sheets

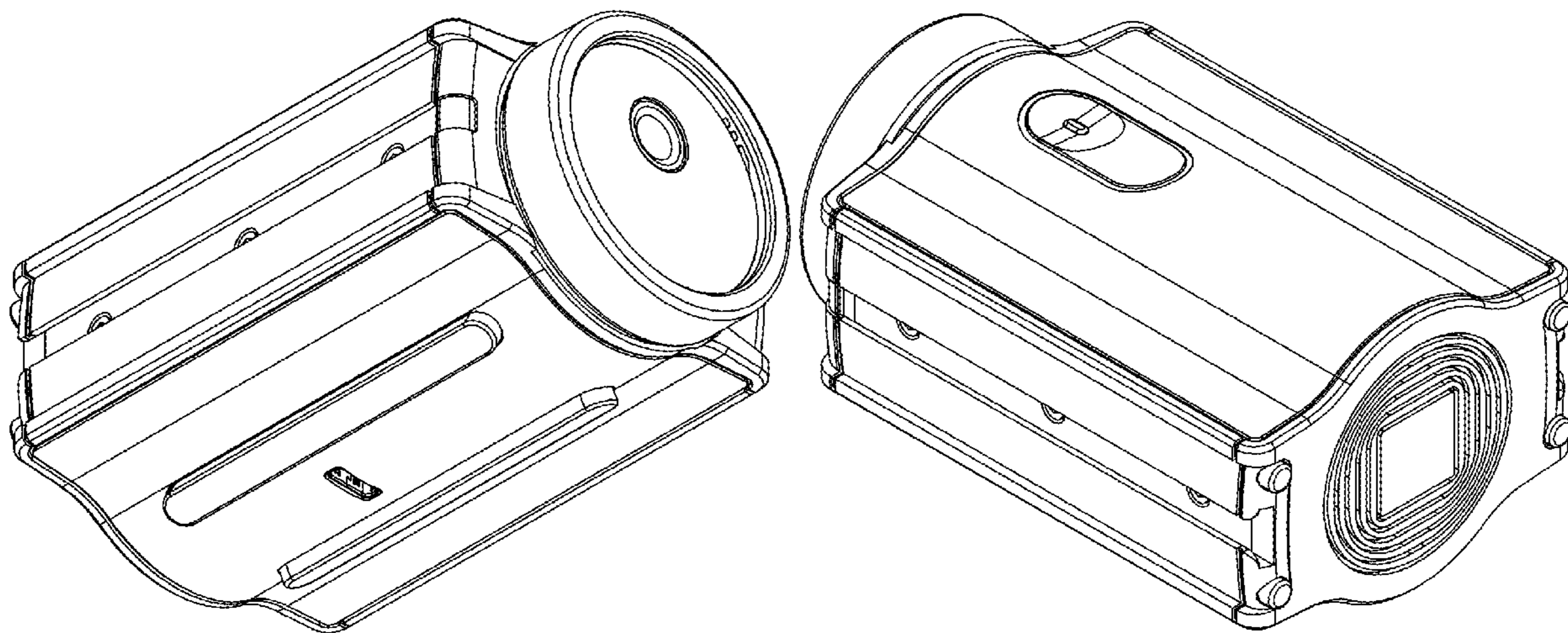


FIG 1

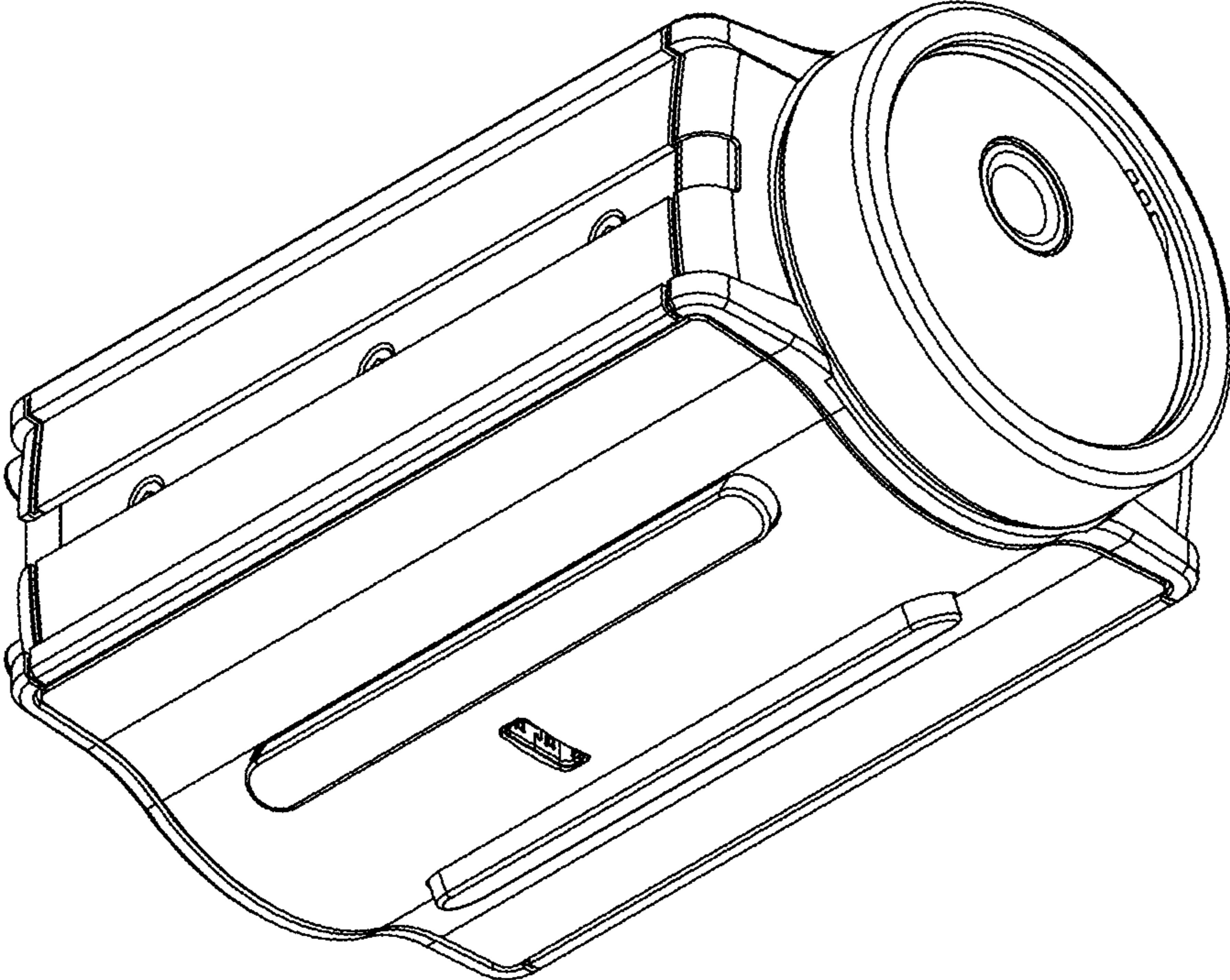


FIG 2

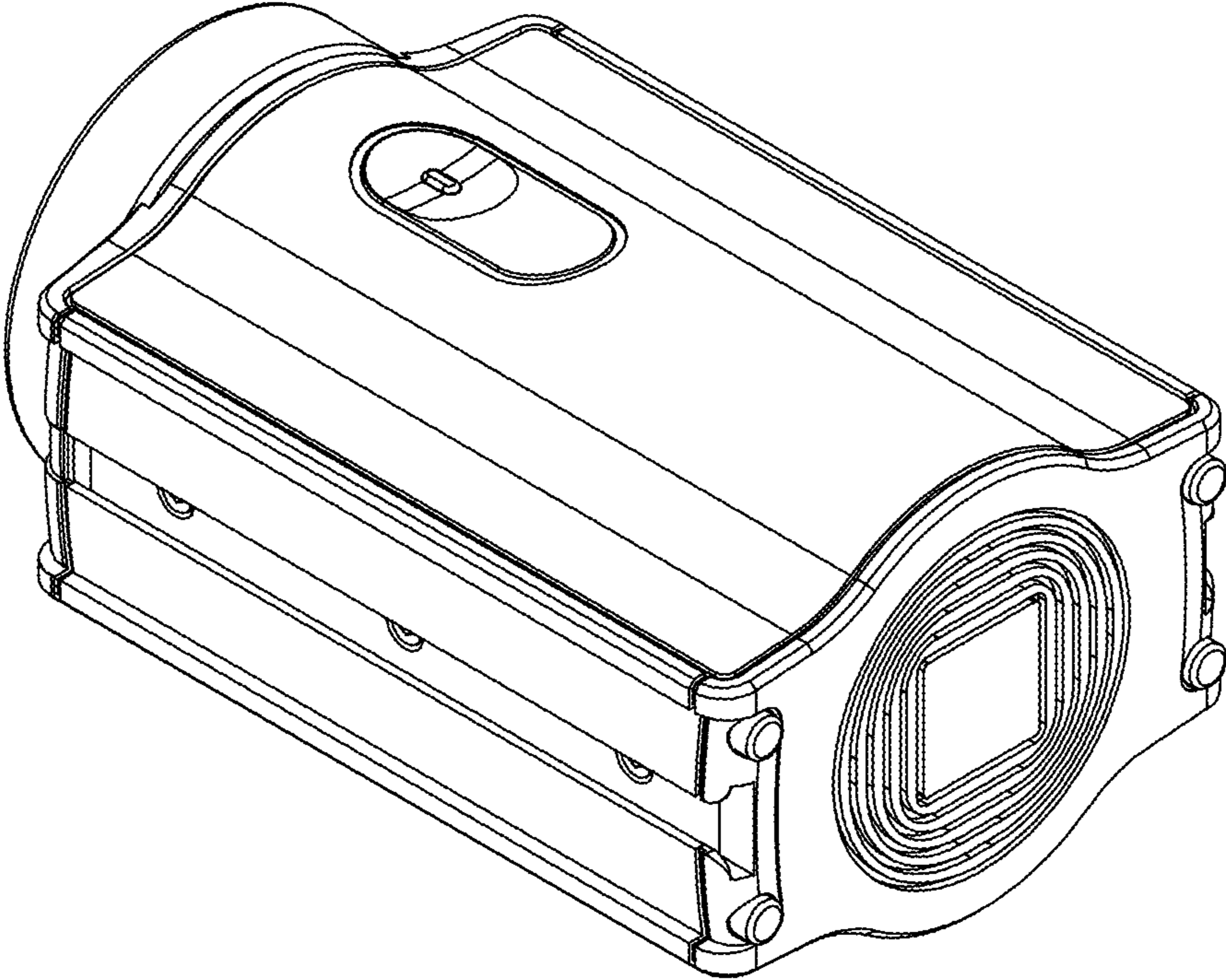


FIG 3

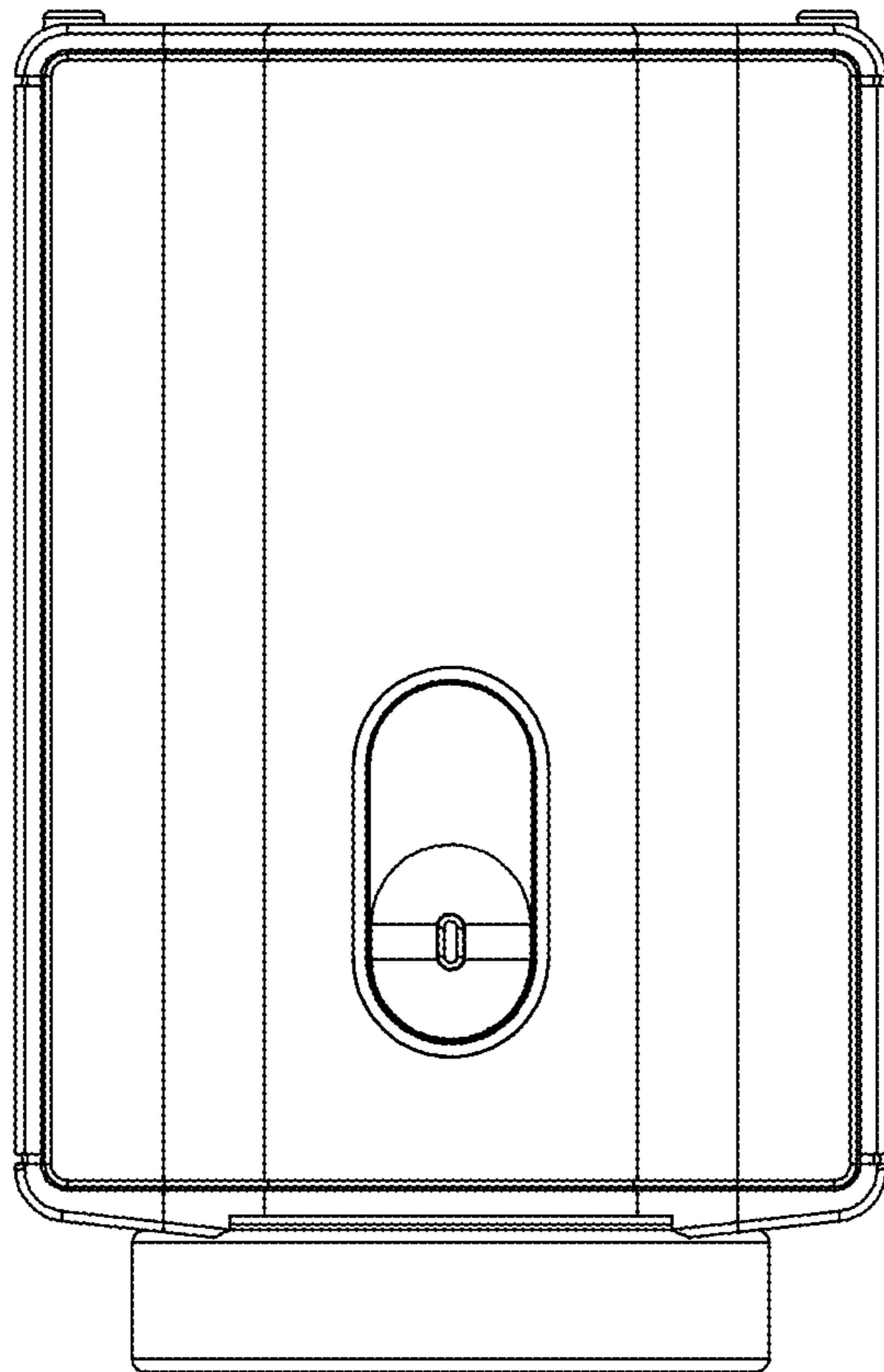


FIG 4

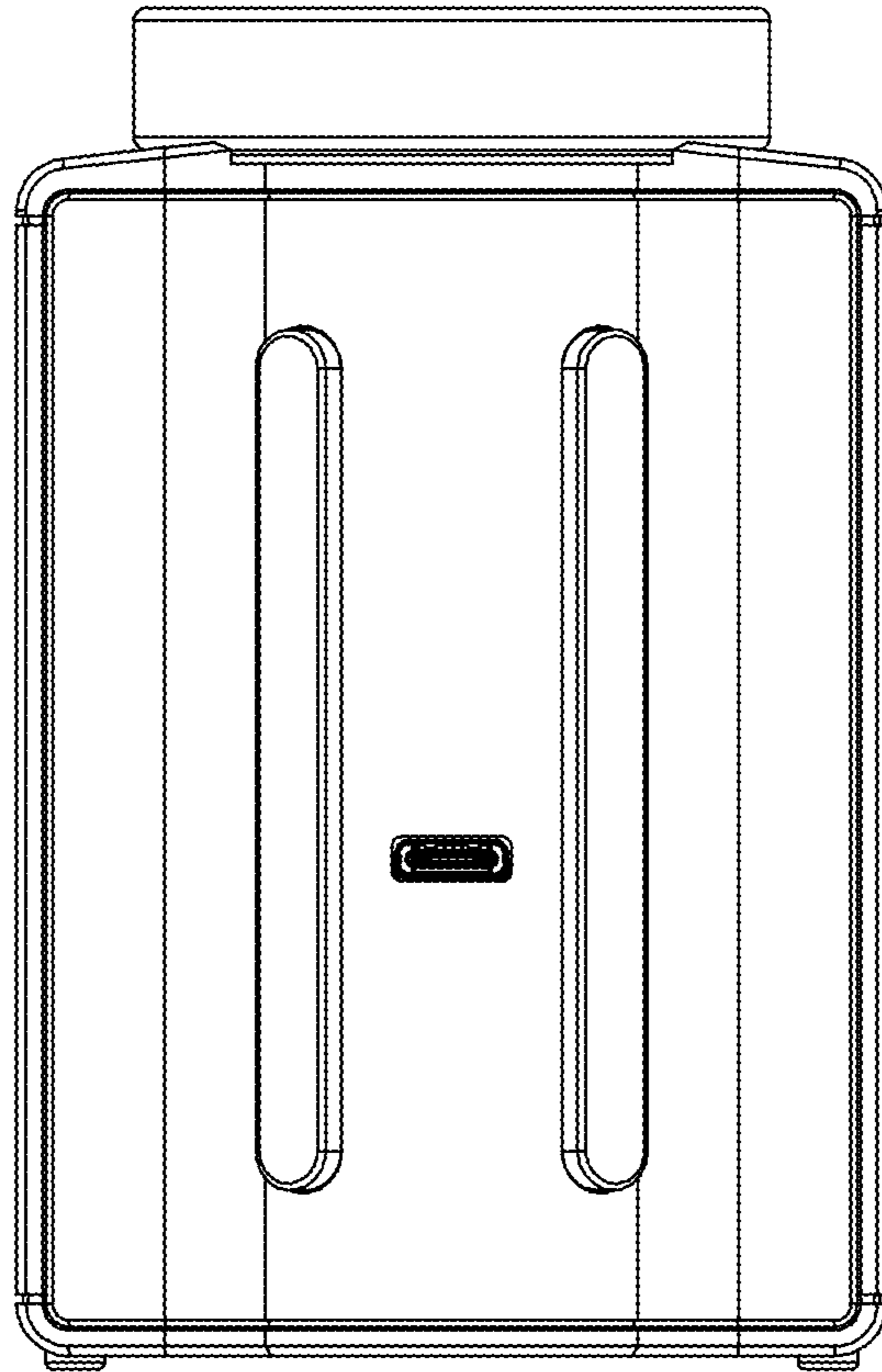


FIG 5

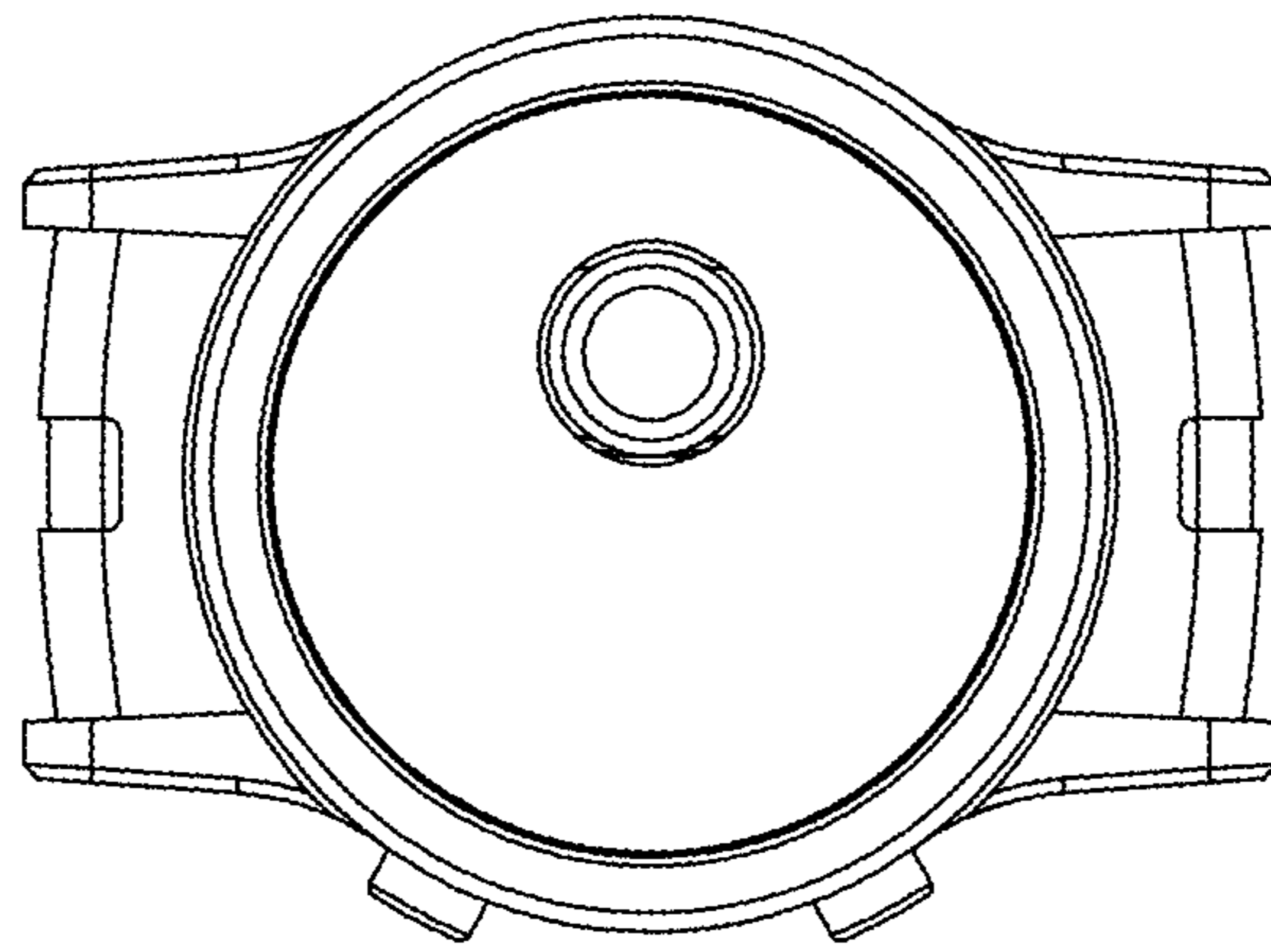


FIG 6

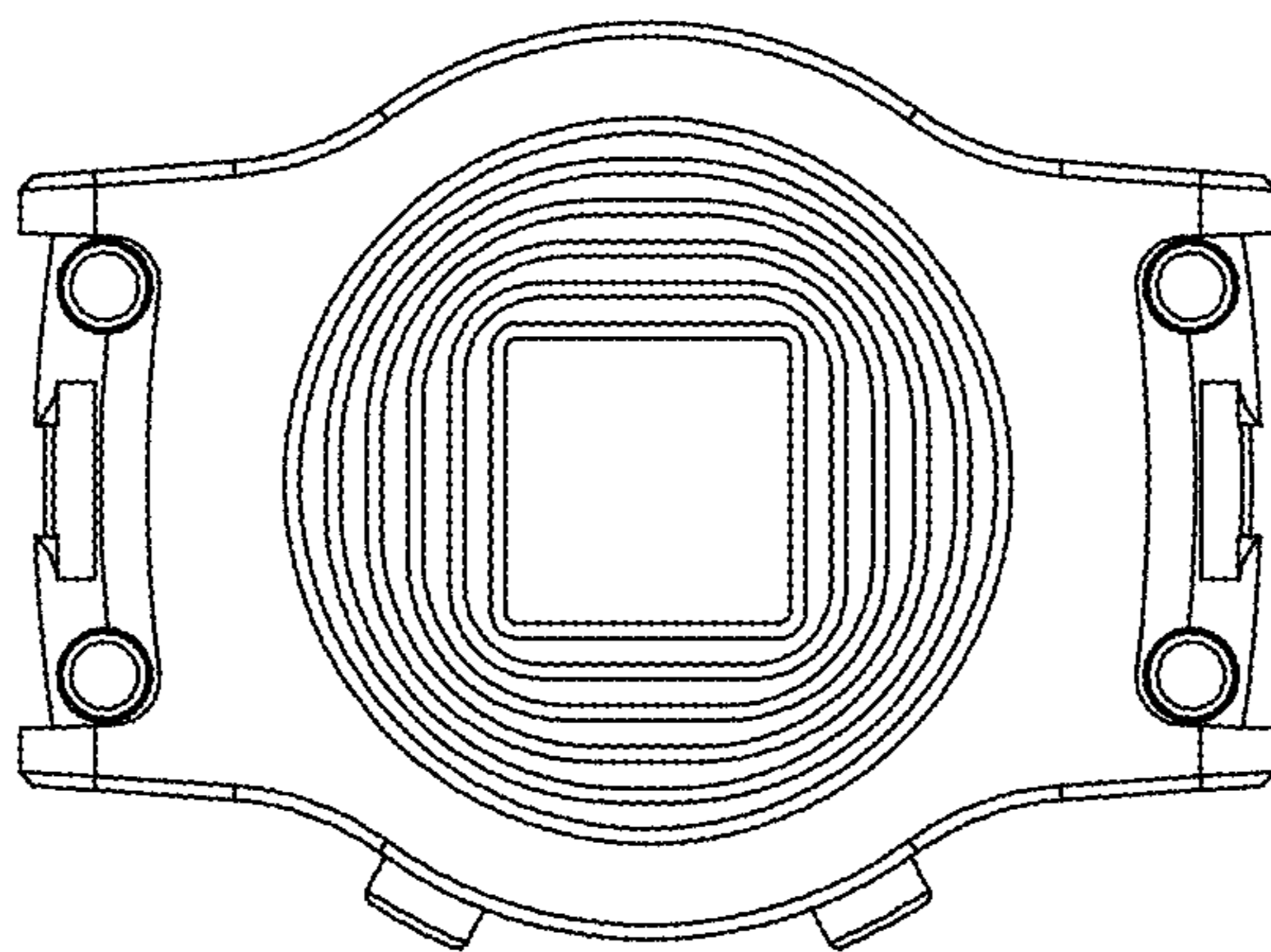


FIG 7

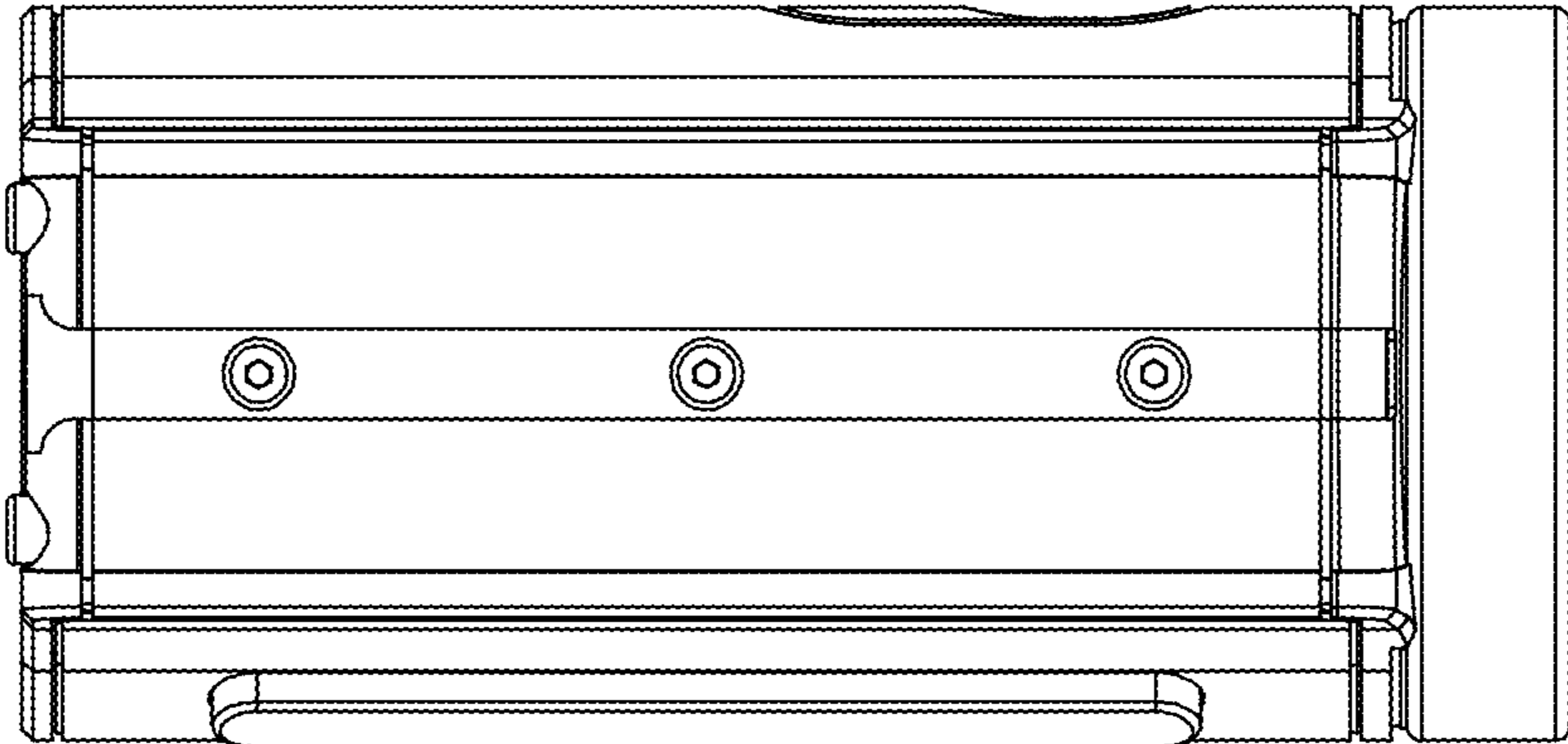


FIG 8

