



US00D892654S

(12) **United States Design Patent**  
**Gabrys**

(10) **Patent No.:** **US D892,654 S**  
(45) **Date of Patent:** **\*\* Aug. 11, 2020**

(54) **GAS MEASURING DEVICE**

FOREIGN PATENT DOCUMENTS

(71) Applicant: **AIUT Sp. z o.o.**, Gliwice (PL)

CN 201230260026 \* 10/2012

(72) Inventor: **Marek Gabrys**, Gliwice (PL)

JP D2011-18618 \* 4/2012

JP D201638-13 \* 10/2016

JP D2016-12966 \* 5/2017

(\*\*) Term: **15 Years**

\* cited by examiner

(21) Appl. No.: **35/506,928**

*Primary Examiner* — George D. Kirschbaum

(22) Filed: **Oct. 4, 2018**

(80) **Hague Agreement Data**

Int. Filing Date: **Oct. 4, 2018**

Int. Reg. No.: **DM/201308**

Int. Reg. Date: **Oct. 4, 2018**

Int. Reg. Pub. Date: **Jun. 14, 2019**

(57) **CLAIM**

The ornamental design for a gas measuring device, as shown and described.

(51) **LOC (12) Cl.** ..... **10-04**

(52) **U.S. Cl.**

USPC ..... **D10/78**

**DESCRIPTION**

(58) **Field of Classification Search**

USPC ..... D10/78, 31, 106.2

CPC ..... G01N 33/0009

See application file for complete search history.

1. Gas measuring device

1.1 is a front perspective view.

1.2 is a bottom perspective view.

1.3 is a top view.

1.4 is a bottom view.

1.5 is a left side view.

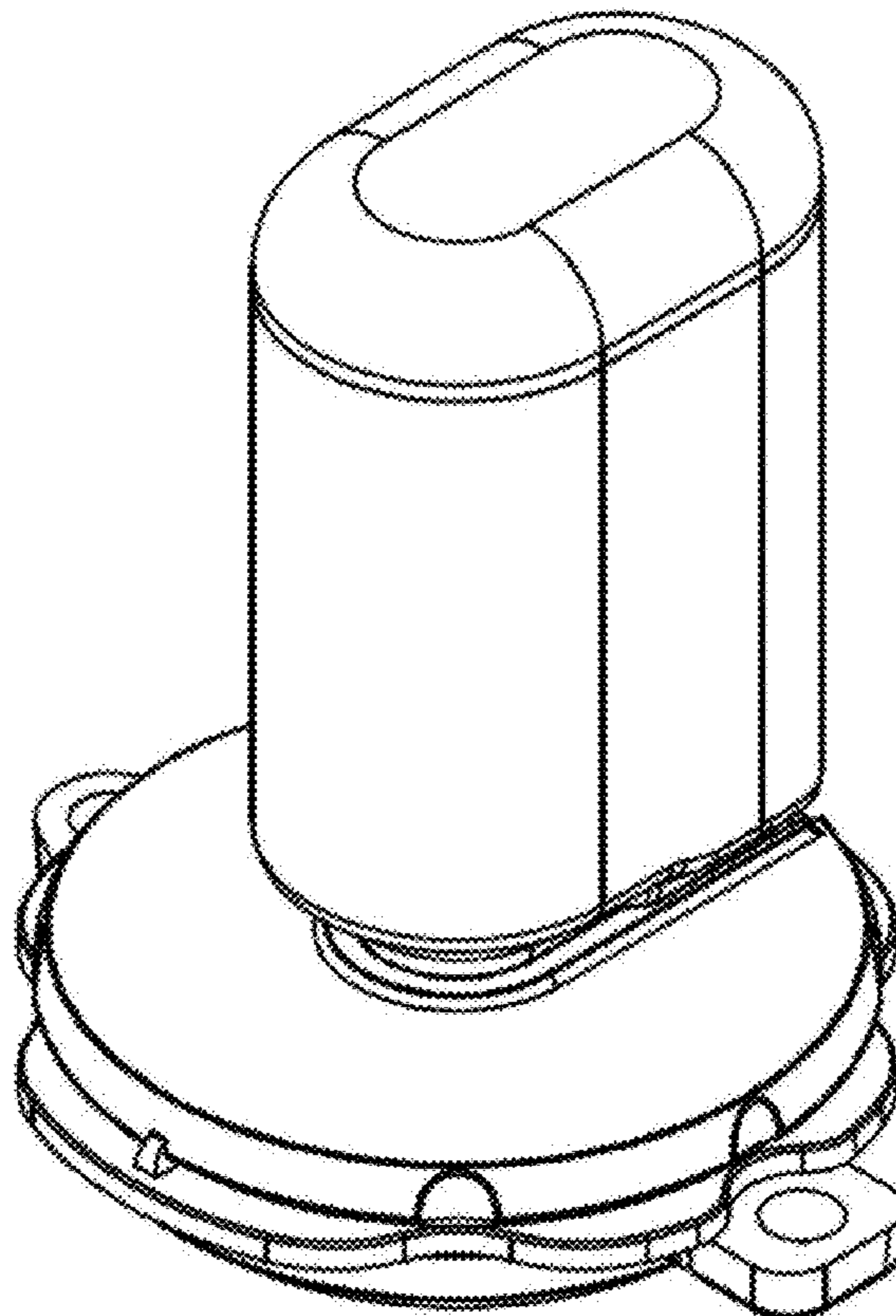
1.6 is a rear view.

(56) **References Cited**

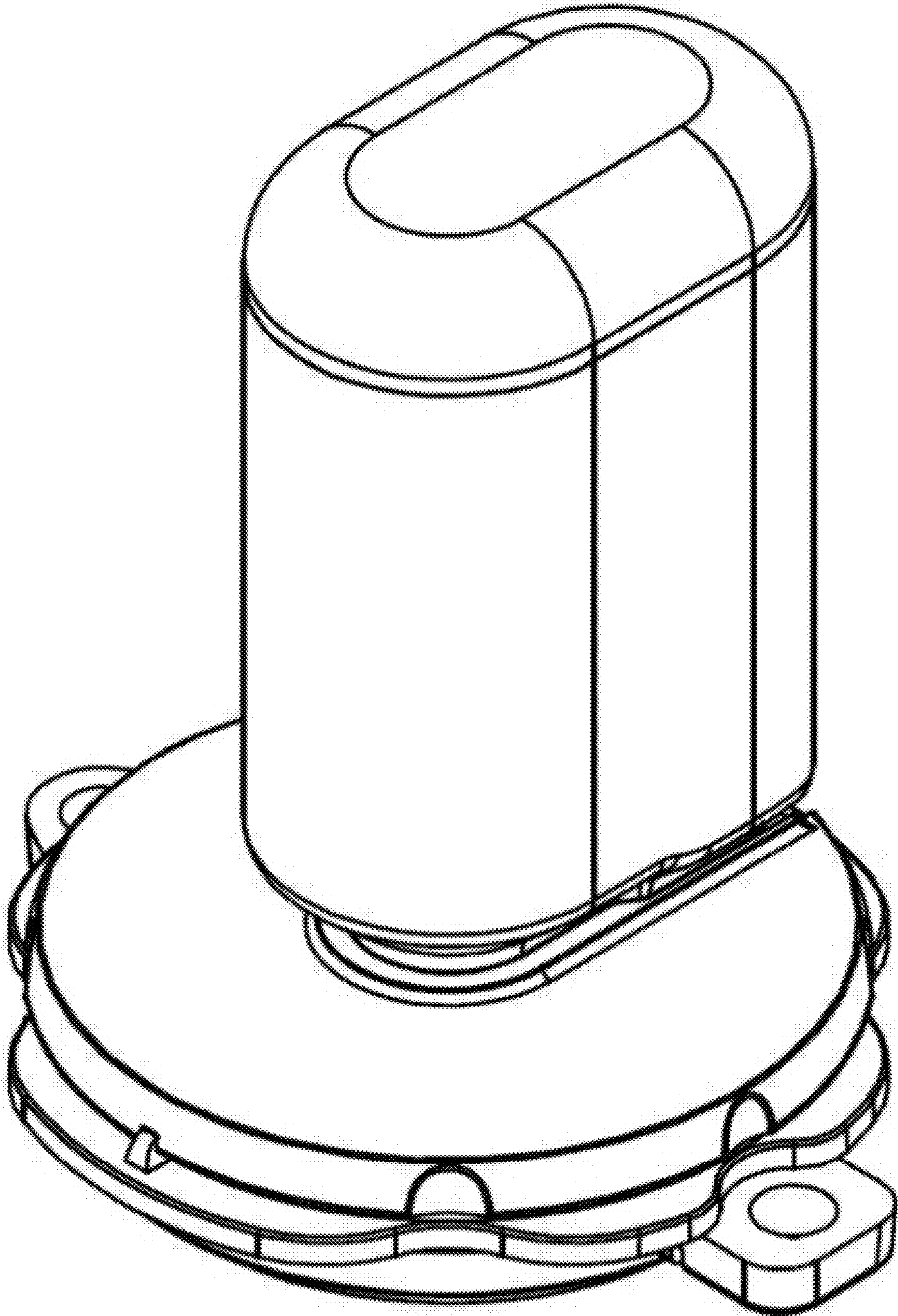
U.S. PATENT DOCUMENTS

D403,603 S \* 1/1999 Kondo ..... D10/31  
D457,456 S \* 5/2002 Holland ..... D10/106.2  
D671,851 S \* 12/2012 Treharne ..... D10/78  
8,358,105 B2 \* 1/2013 Barten ..... G01N 33/0009  
320/108

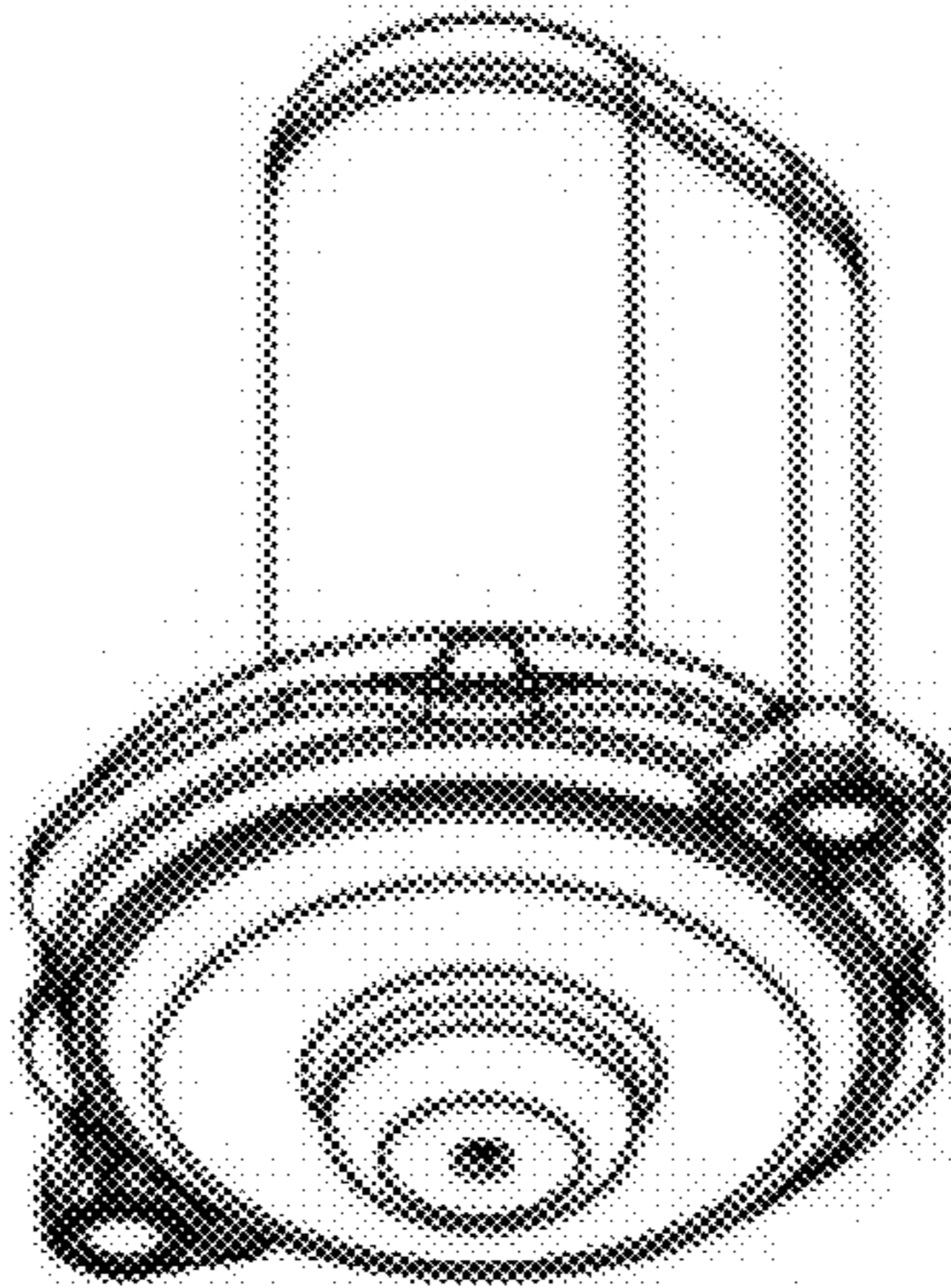
**1 Claim, 6 Drawing Sheets**



# 1.1

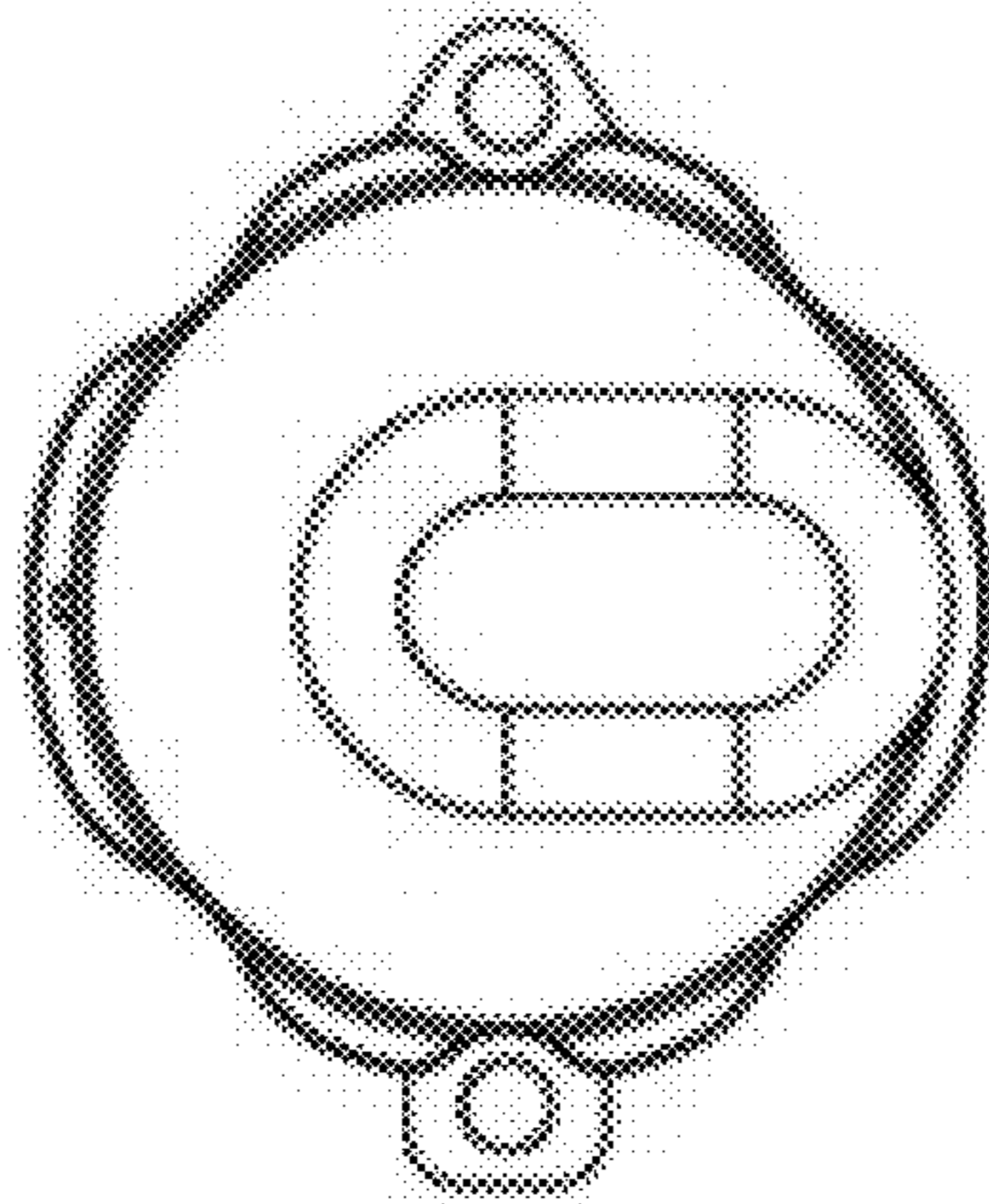


**1.2**

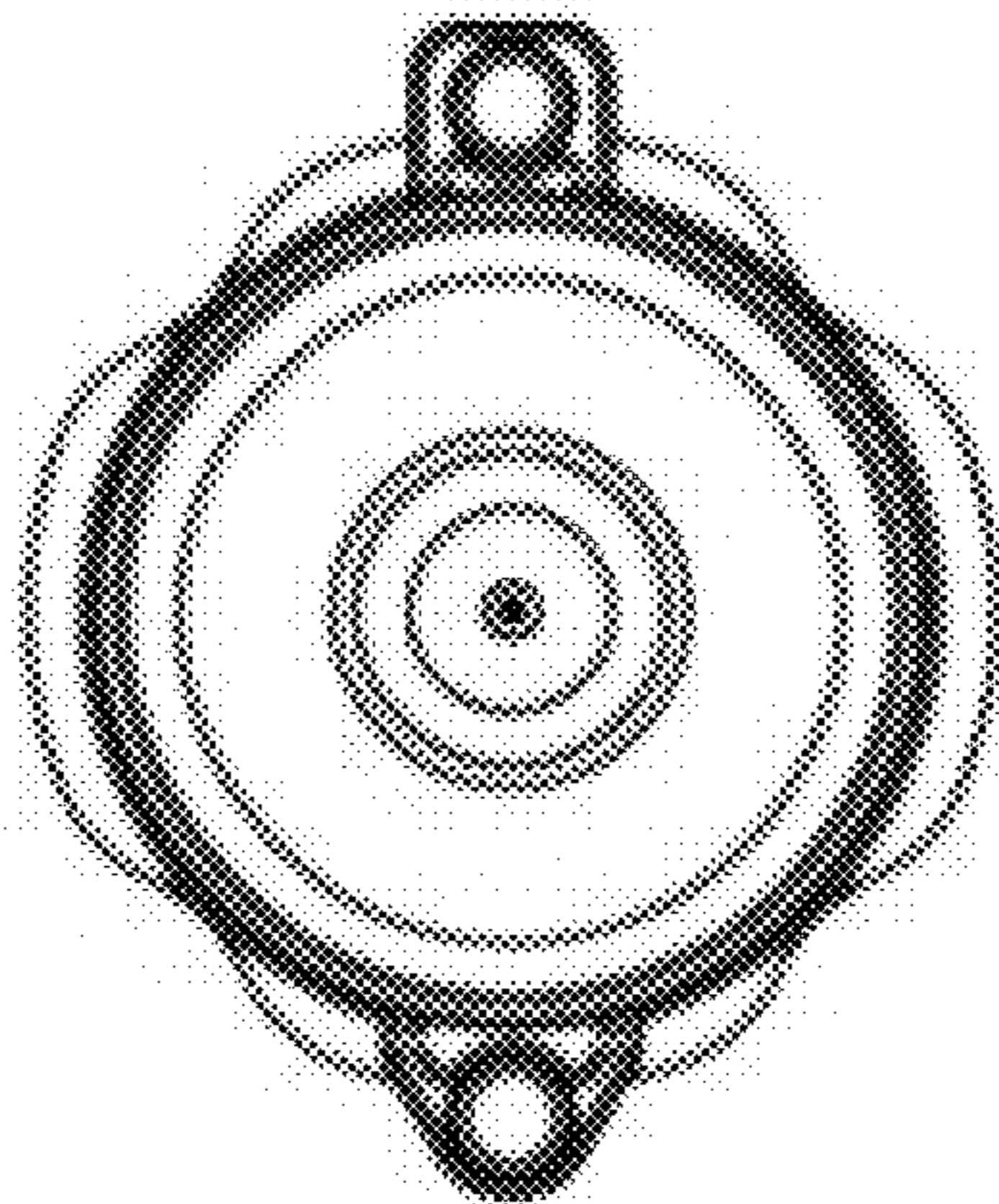




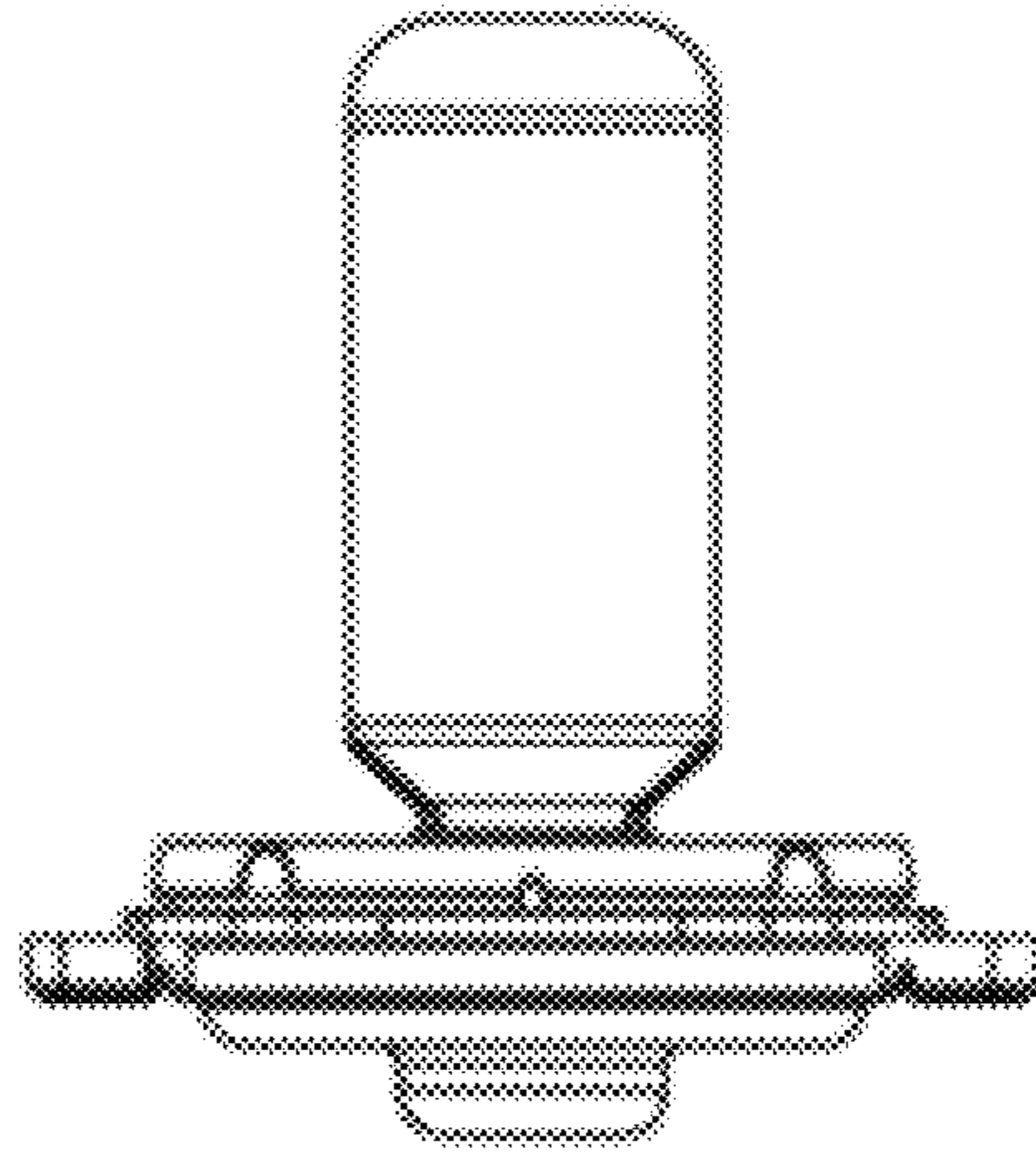
**1.3**



1.4



**1.5**



**1.6**

