



US00D892651S

(12) **United States Design Patent** (10) **Patent No.:** **US D892,651 S**  
**Bailey et al.** (45) **Date of Patent:** **\*\* Aug. 11, 2020**

(54) **ENTRY SENSOR HOUSING**

(71) Applicant: **ECOLINK INTELLIGENT TECHNOLOGY, INC.**, Carlsbad, CA (US)

(72) Inventors: **Michael Bailey**, Carlsbad, CA (US); **Jerry Huang**, Tainan (TW)

(73) Assignee: **Ecolink Intelligent Technology, Inc.**, Carlsbad, CA (US)

(\*\*) Term: **15 Years**

(21) Appl. No.: **29/675,345**

(22) Filed: **Dec. 31, 2018**

(51) **LOC (12) Cl.** ..... **10-04**

(52) **U.S. Cl.**  
USPC ..... **D10/70; D10/106.6**

(58) **Field of Classification Search**  
USPC ..... **D10/70, 106.6, 106.8**

CPC .. **G01P 13/00; G01P 13/0006; G01P 13/0013; G01P 13/002; G01P 13/0026; G01P 13/0033; G01P 13/004; G01P 13/0046; G01P 13/0053; G01P 13/006; G01P 13/0066; G01P 13/0073; G01P 13/008; G01P 13/0086; G01P 13/0093; G08B 21/00; G08B 21/02; G08B 21/0202; G08B 21/0205; G08B 21/0208; G08B 21/0211; G08B 21/0213; G08B 21/0216; G08B 21/0219; G08B 21/0222; G08B 21/0225; G08B 21/0227; G08B 21/023; G08B 21/0233; G08B 21/0236; G08B 21/0238; G08B 21/0241; G08B 21/0244; G08B 21/0247; G08B 21/025; G08B 21/0252; G08B 21/0258; G08B 21/0261; G08B 21/0263; G08B 21/0266; G08B 21/0269; G08B 21/0272; G08B 21/0275; G08B 21/0277; G08B 21/028; G08B 21/0283; G08B 21/0286; G08B 21/0288; G08B 21/0291; G08B 21/0194; G08B 21/0297; G08B 21/04; G08B 21/0407; G08B 21/0415; G08B 21/0423; G08B**

21/043; G08B 21/0438; G08B 21/0446; G08B 21/0453; G08B 21/0461; G08B 21/0469; G08B 21/0476; G08B 21/0484; G08B 21/0492; G08B 21/06; G08B 21/08; G08B 21/082; G08B 21/084; G08B 21/086; G08B 21/088; G08B 21/10; G08B 21/12; G08B 21/14; G08B 21/16; G08B 21/18; G08B 21/182; G08B 21/185; G08B 21/187; G08B 21/20; G08B 21/22; G08B 21/24; G08B 21/245; G08B 23/00; G08B 13/00; G08B 13/02; G08B 13/04; G08B 13/06; G08B 13/08; G08B 13/10; G08B 13/12;

(Continued)

(56) **References Cited**

U.S. PATENT DOCUMENTS

D425,534 S \* 5/2000 Mutoh ..... D10/106.1  
D628,103 S \* 11/2010 Schmalz ..... D10/106.6

(Continued)

*Primary Examiner* — Antoine Duval Davis

(74) *Attorney, Agent, or Firm* — Greenberg Traurig, LLP

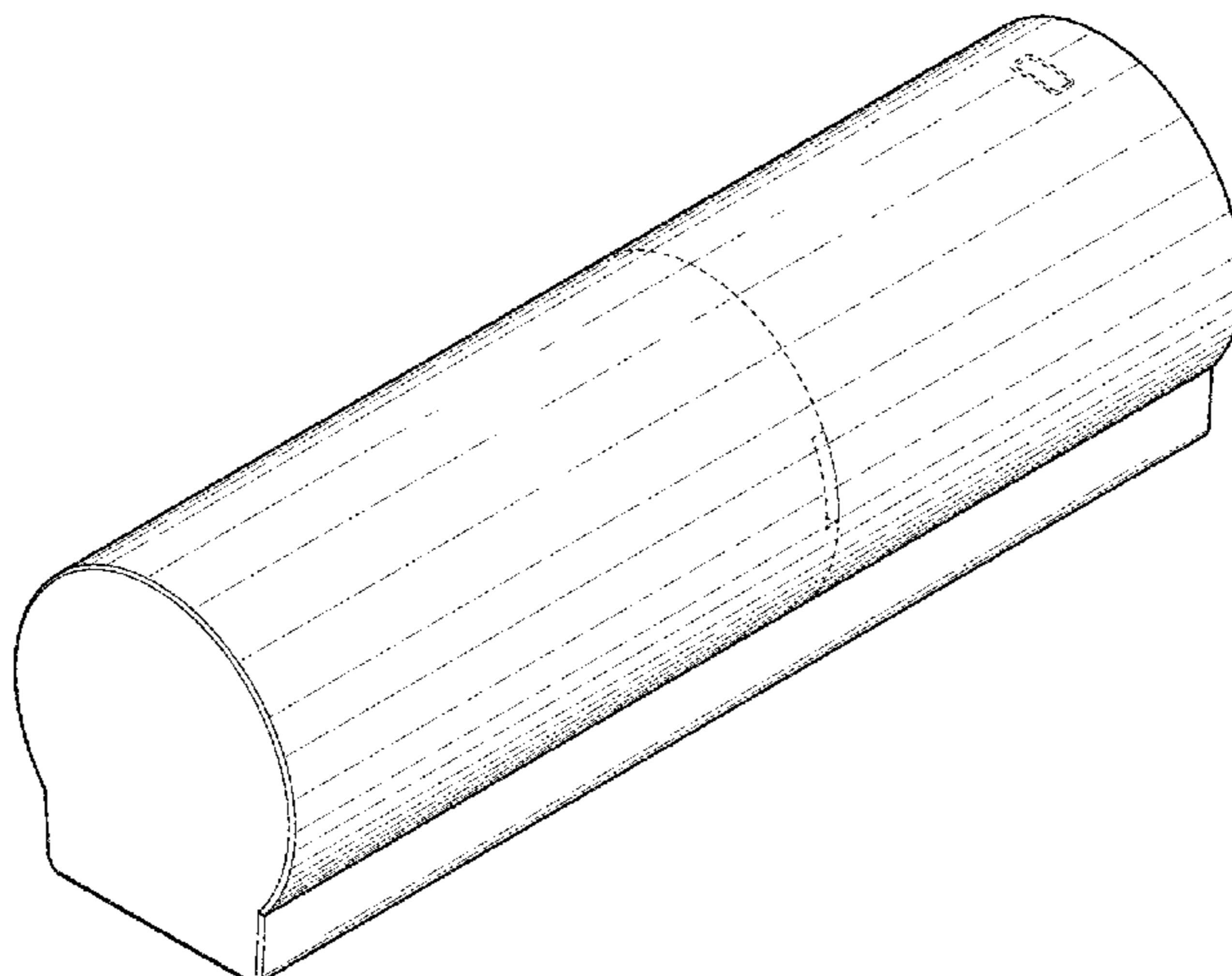
(57) **CLAIM**

The ornamental design for an entry sensor housing, as shown and described.

**DESCRIPTION**

FIG. 1 is a three-quarter perspective view of the entry sensor housing;  
FIG. 2 is a top, plan view thereof;  
FIG. 3 is a bottom, plan view thereof;  
FIG. 4 is a right, plan view thereof;  
FIG. 5 is a left, plan view thereof;  
FIG. 6 is a front, plan view thereof; and,  
FIG. 7 is a rear, plan view thereof.  
The broken lines are for illustrative purposes only and form no part of the claimed design.

**1 Claim, 4 Drawing Sheets**



(58) **Field of Classification Search**

CPC .. G08B 13/122; G08B 13/124; G08B 13/126;  
G08B 13/028; G08B 13/14; G08B  
13/1409; G08B 13/1418; G08B 13/1427;  
G08B 13/1436; G08B 13/1445; G08B  
13/1454; G08B 13/1463; G08B 13/1472;  
G08B 13/1481; G08B 13/149; G08B  
13/16; G08B 13/1609; G08B 13/1618;  
G08B 13/1627; G08B 13/1636; G08B  
13/1645; G08B 13/1654; G08B 13/1663;  
G08B 13/1672; G08B 13/1681; G08B  
13/169; G08B 13/18; G08B 13/181;  
G08B 13/183; G08B 13/184; G08B  
13/186; G08B 13/187; G08B 13/189;  
G08B 13/1895; G08B 13/19; G08B  
13/191; G08B 13/193; G08B 13/194;  
G08B 13/196; G08B 13/19602; G08B  
13/19604; G08B 13/19606; G08B  
13/19608; G08B 13/1961; G08B  
13/19613; G08B 13/19615; G08B  
13/19617; G08B 13/19619; G08B  
13/19621; G08B 13/19623; G08B  
13/19626; G08B 13/19628; G08B  
13/1963; G08B 13/19632; G08B  
13/19634; G08B 13/19636; G08B  
13/19639; G08B 13/19641; G08B  
13/19643; G08B 13/19645; G08B  
13/19647; G08B 13/1965; G08B  
13/19652; G08B 13/19654; G08B  
13/19656; G08B 13/19658; G08B  
13/1966; G08B 13/19663; G08B  
13/19665; G08B 13/19667; G08B  
13/19669; G08B 13/19671; G08B  
13/19673; G08B 13/19676; G08B  
13/19678; G08B 13/1968; G08B

13/19682; G08B 13/19684; G08B  
13/19686; G08B 13/19689; G08B  
13/19691; G08B 13/19693; G08B  
13/19695; G08B 13/19697; G08B 13/20;  
G08B 13/22; G08B 13/24; G08B  
13/2402; G08B 13/2405; G08B 13/2408;  
G08B 13/2411; G08B 13/2414; G08B  
13/2417; G08B 13/242; G08B 13/2422;  
G08B 13/2425; G08B 13/2428; G08B  
13/2431; G08B 13/2434; G08B 13/2437;  
G08B 13/244; G08B 13/2442; G08B  
13/2445; G08B 13/2448; G08B 13/2451;  
G08B 13/2454; G08B 13/2457; G08B  
13/246; G08B 13/2462; G08B 13/2465;  
G08B 13/2468; G08B 13/2471; G08B  
13/2474; G08B 13/2477; G08B 13/248;  
G08B 13/2482; G08B 13/2485; G08B  
13/2488; G08B 13/2491; G08B 13/2494;  
G08B 13/2497; G08B 13/26; G08B  
17/12; G08B 13/16169; G01V 8/20;  
H03K 17/941; H03K 2017/9455; H03K  
17/9505; H03K 17/9622; H03K 17/9627;  
H05B 37/0227

See application file for complete search history.

(56)

**References Cited**

U.S. PATENT DOCUMENTS

D764,335 S \* 8/2016 Thornton ..... D10/106.6  
9,927,301 B2 \* 3/2018 Peterson ..... G01J 5/0022  
D817,791 S \* 5/2018 Kikkeri ..... D10/65  
D826,073 S \* 8/2018 Alkelai ..... D10/70  
10,072,985 B2 \* 9/2018 Peterson ..... G08B 13/19  
D848,293 S \* 5/2019 Laurans ..... D10/70

\* cited by examiner

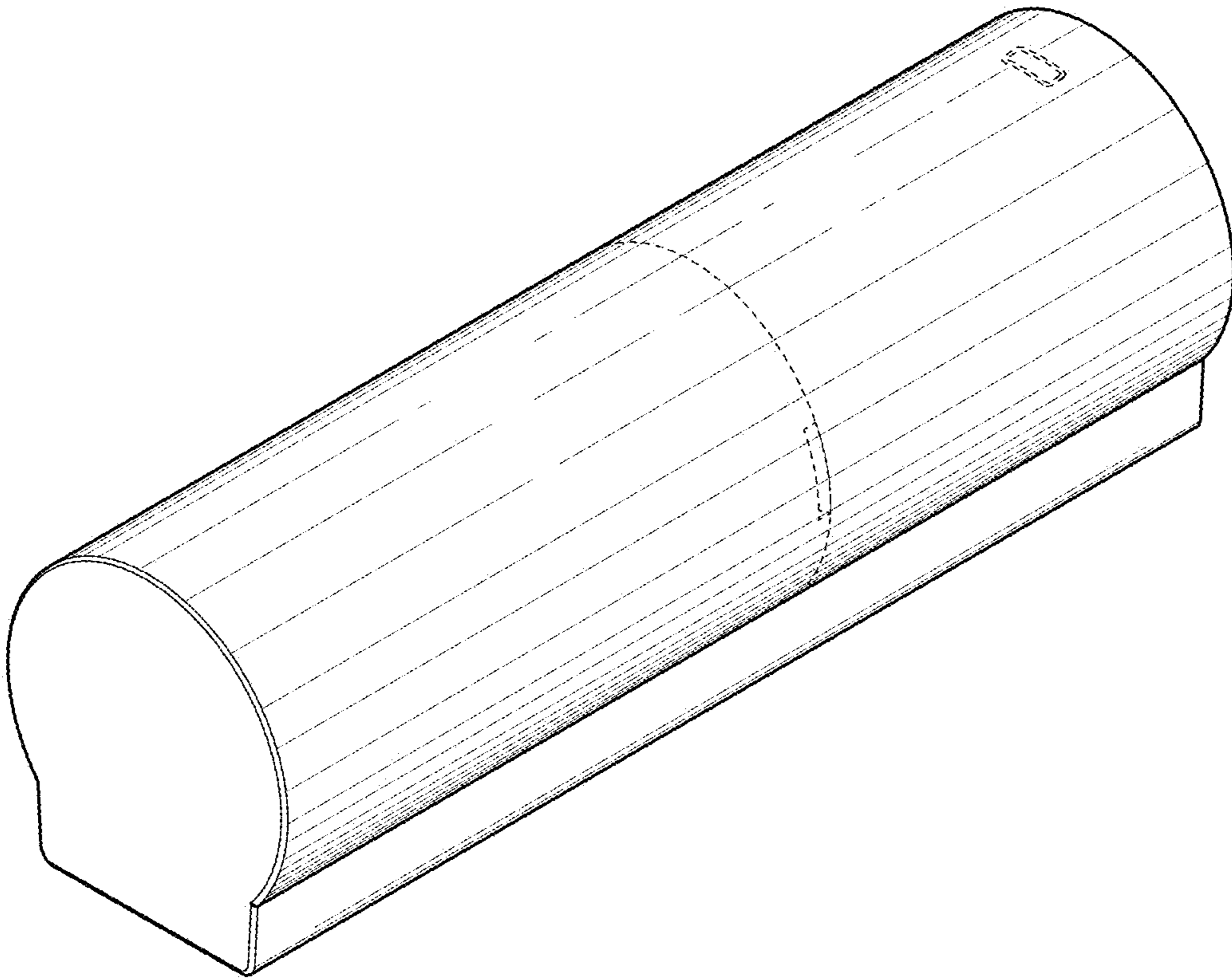


FIG. 1

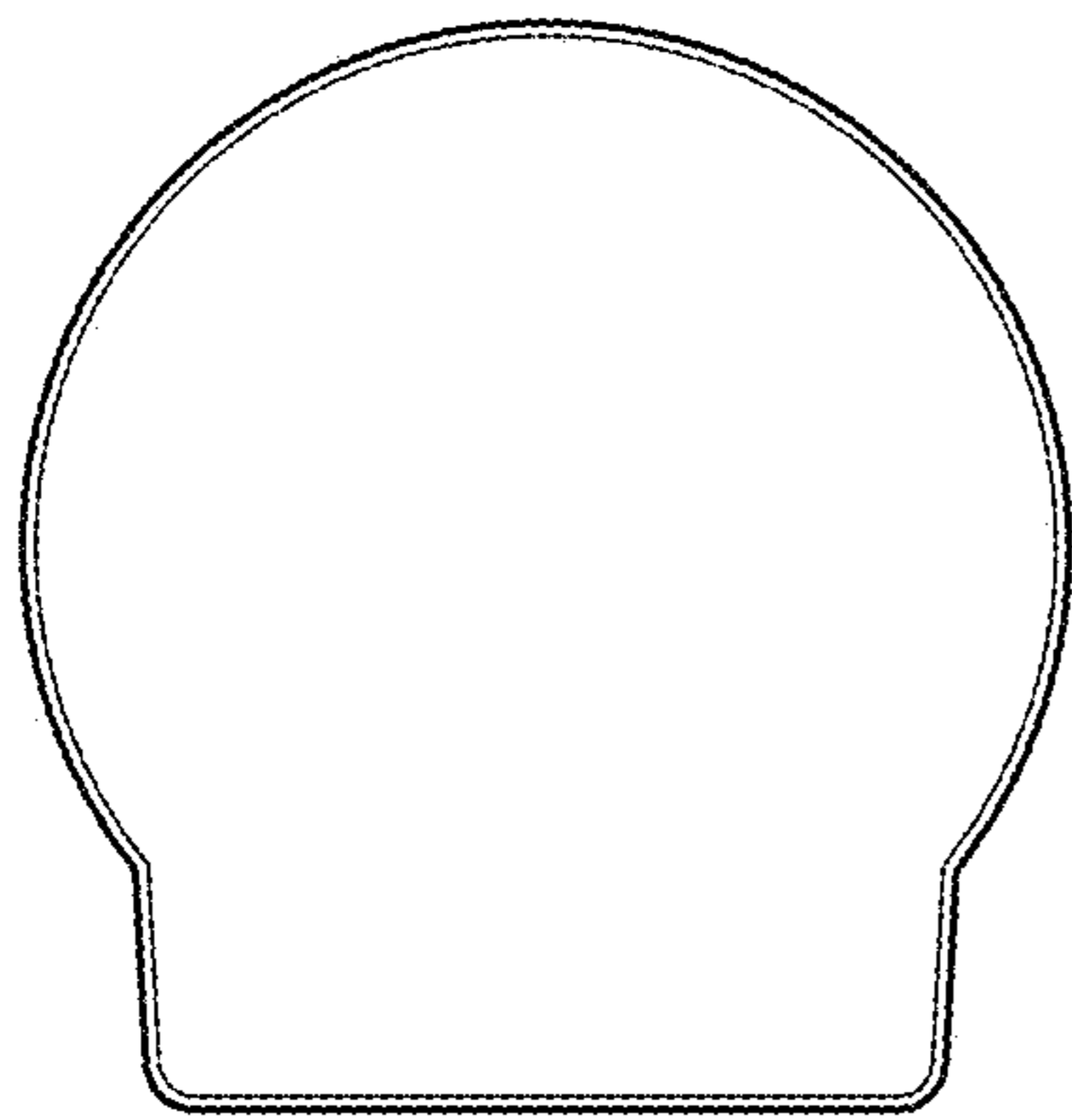


FIG. 2

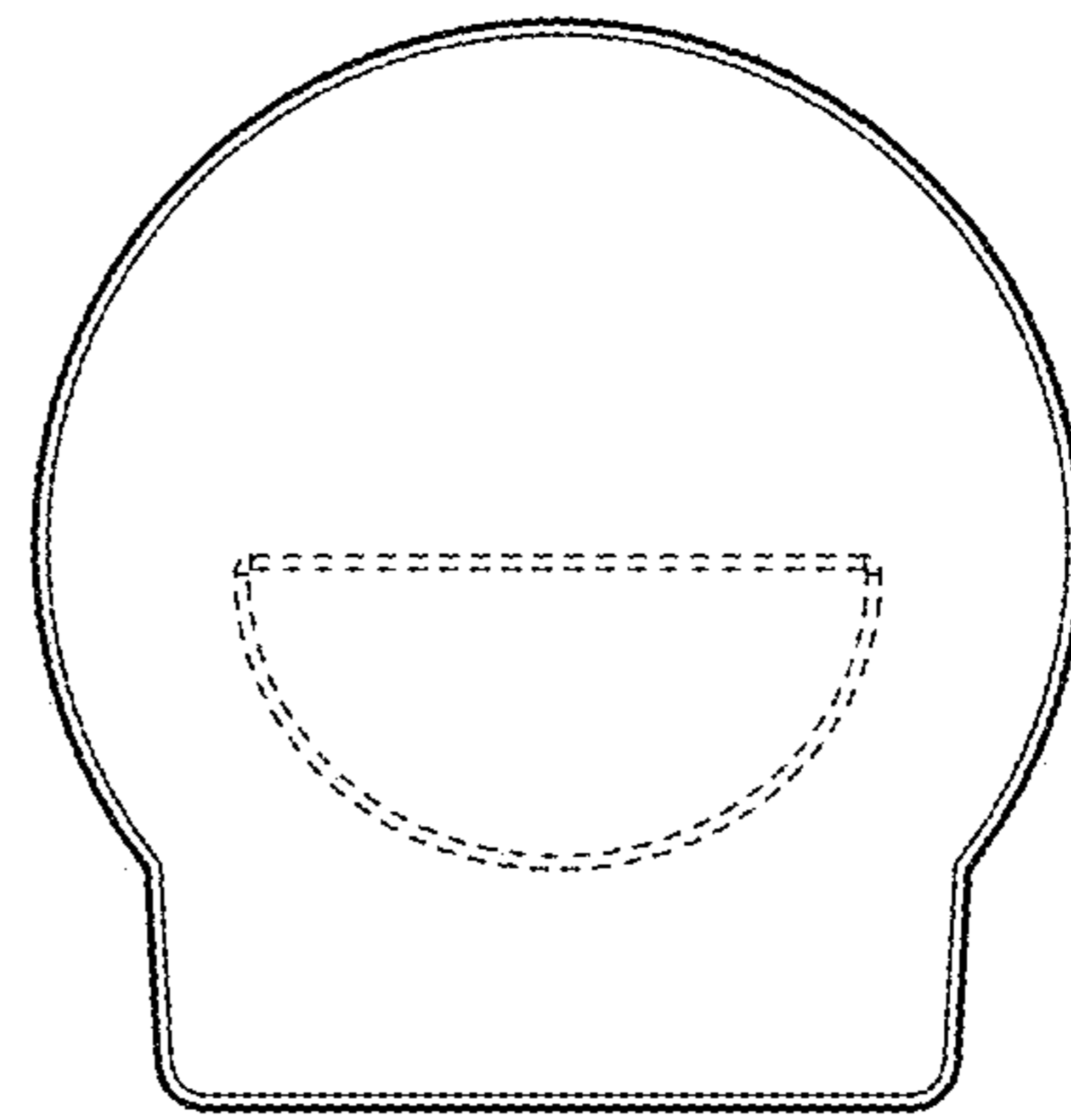


FIG. 3

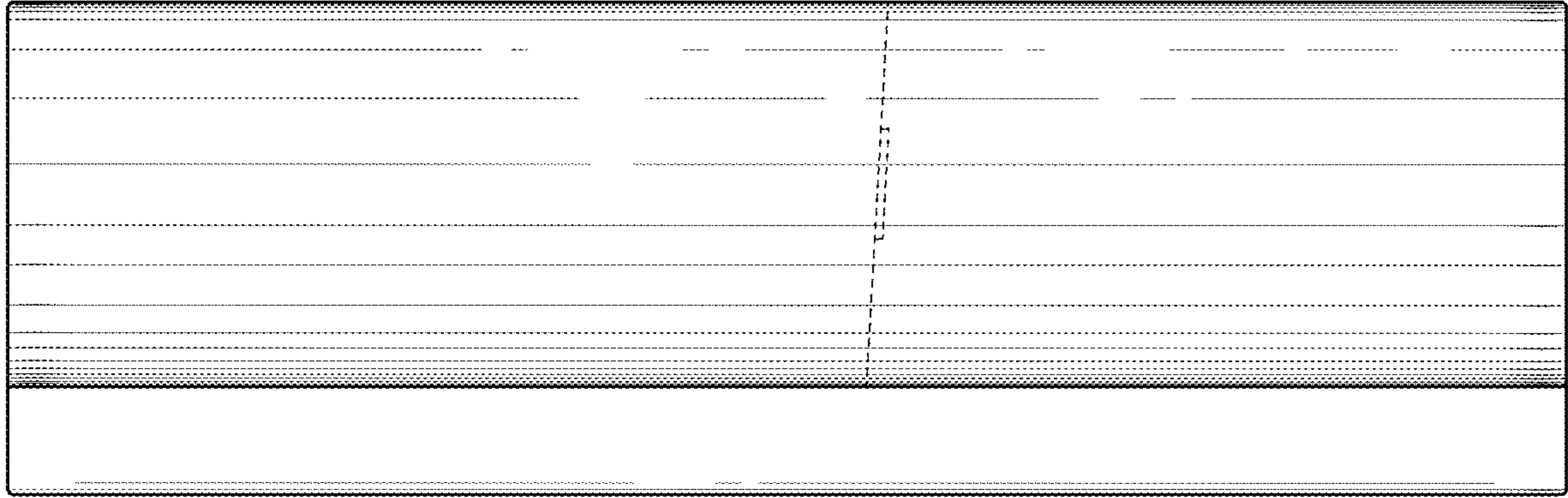


FIG. 4

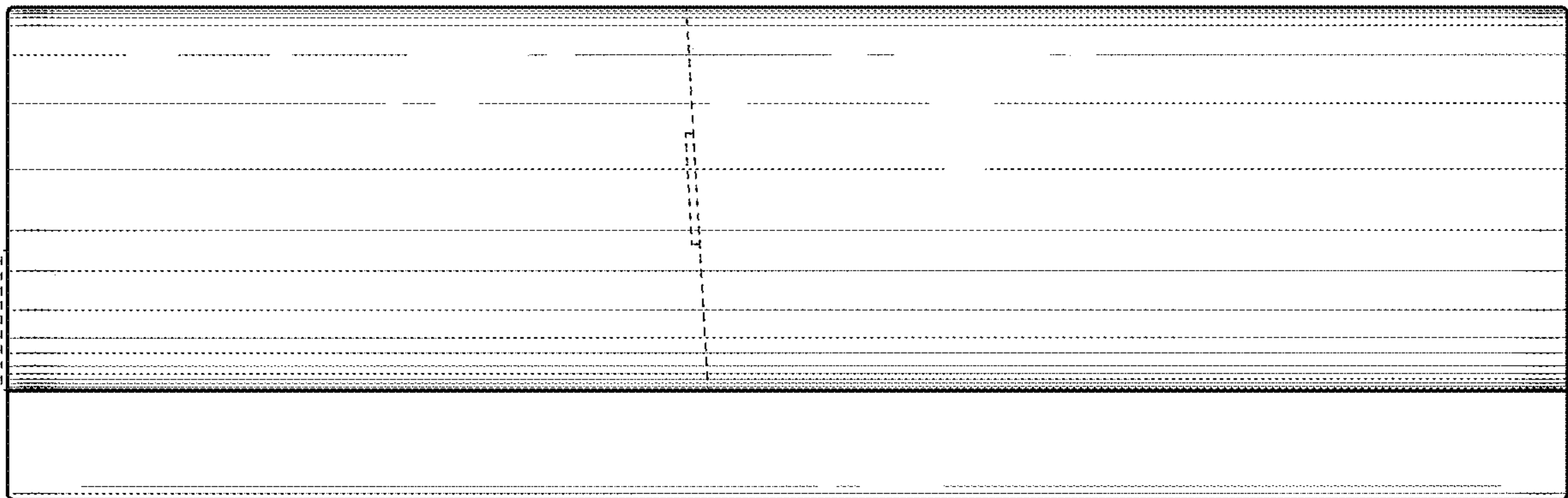


FIG. 5

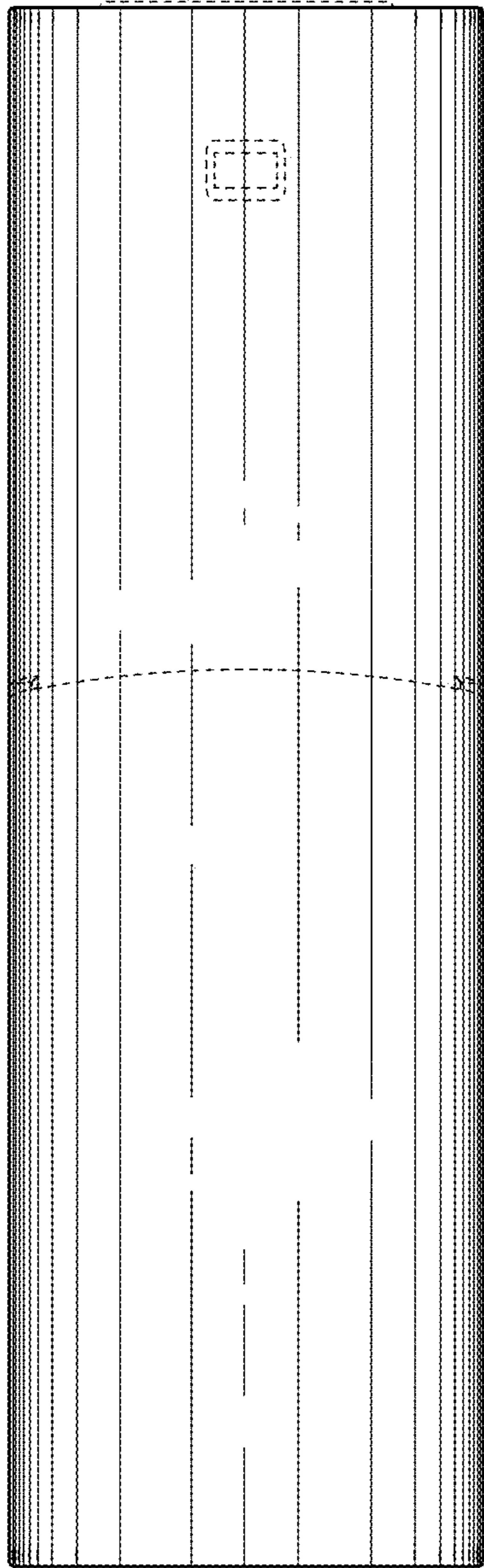


FIG. 6

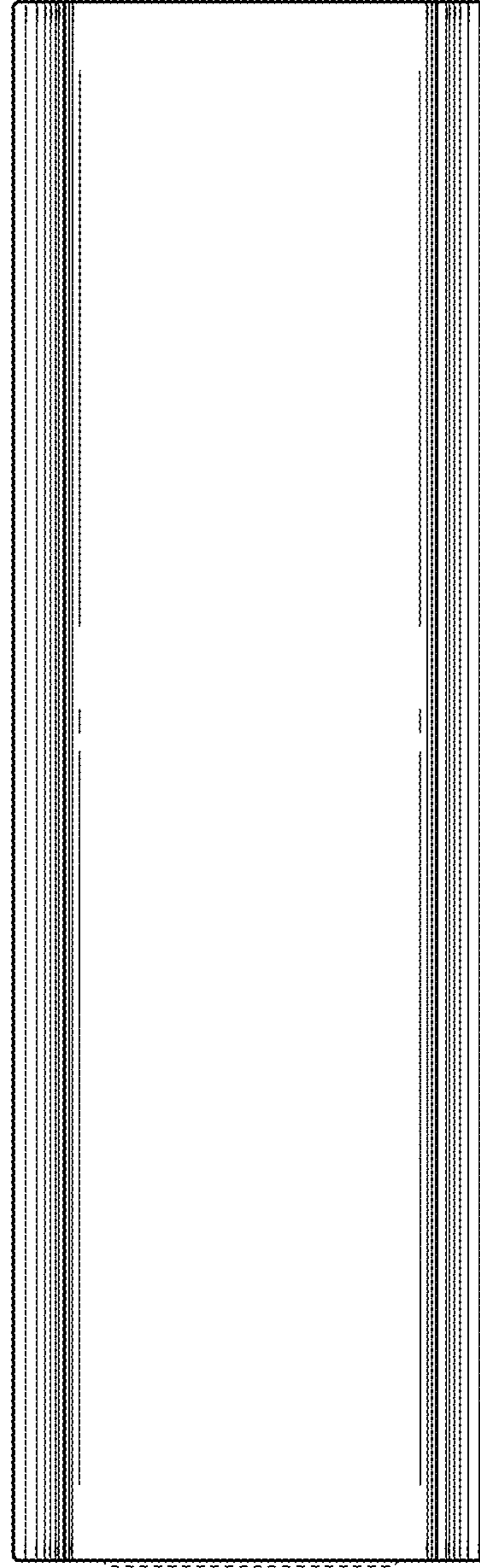


FIG. 7