



US00D892645S

(12) **United States Design Patent** (10) **Patent No.:** **US D892,645 S**
Lee et al. (45) **Date of Patent:** **** Aug. 11, 2020**

(54) **THERMOSTAT LOCK COVER**

(56) **References Cited**

(71) Applicant: **elago CO. LTD**, Goyang-si, Gyeonggi-do (KR)

U.S. PATENT DOCUMENTS

(72) Inventors: **Chan Woo Lee**, Goyang-si (KR); **Chong Min Kim**, Seoul (KR)

D347,584 S *	6/1994	Vogelpohl	D10/49
7,384,899 B2 *	6/2008	Schneider	A61K 8/46 510/131
7,592,923 B2 *	9/2009	Lax	G08B 7/066 340/500
8,371,164 B2 *	2/2013	Sneek	G02B 27/0006 73/431
8,448,507 B2 *	5/2013	Salmi	G01W 1/14 73/170.16
8,489,243 B2 *	7/2013	Fadell	G05D 23/1919 700/277

(73) Assignee: **elago CO. LTD**, Goyang-si, Gyeonggi-Do (KR)

(**) Term: **15 Years**

(21) Appl. No.: **29/678,412**

(Continued)

(22) Filed: **Jan. 29, 2019**

Primary Examiner — Antoine Duval Davis

(51) **LOC (12) Cl.** **10-04**

(74) *Attorney, Agent, or Firm* — Paratus Law Group, PLLC

(52) **U.S. Cl.**
USPC **D10/50**

(58) **Field of Classification Search**
USPC D10/49, 50; D13/162, 162.1, 168, 177, D13/184

CPC . F23N 5/20; F23N 5/203; F23N 5/206; F23N 5/18; F23N 5/184; F23N 5/187; F23N 5/22; F23N 2025/12; F23N 2041/02; F24F 11/00; F24F 11/0012; F24F 11/0009; F24F 11/001; F24F 2011/0057; F24F 2011/0073; F24F 2011/0091; F24F 2011/0094; F24F 2011/0068; F24F 2011/0012; F24F 2011/0015; F24F 2011/0017; F21V 11/16; F21V 33/10; G05B 19/042; G05D 23/01; G05D 23/12; G05D 23/275; G05D 23/1902; G05D 23/1904; G05D 23/27502; G05D 23/27503; G05D 23/1919; G05D 23/19; G05D 23/2723; G05D 23/00; G09F 13/22; G09F 9/53; G06F 1/1684; G06F 1/30; G06F 3/0362; G06F 3/038; H05B 33/0854; H05B 37/0218; H05K 5/0017; H05K 5/0243; H05K 5/00; H05K 5/03; H04M 2250/12; H04M 2250/22

See application file for complete search history.

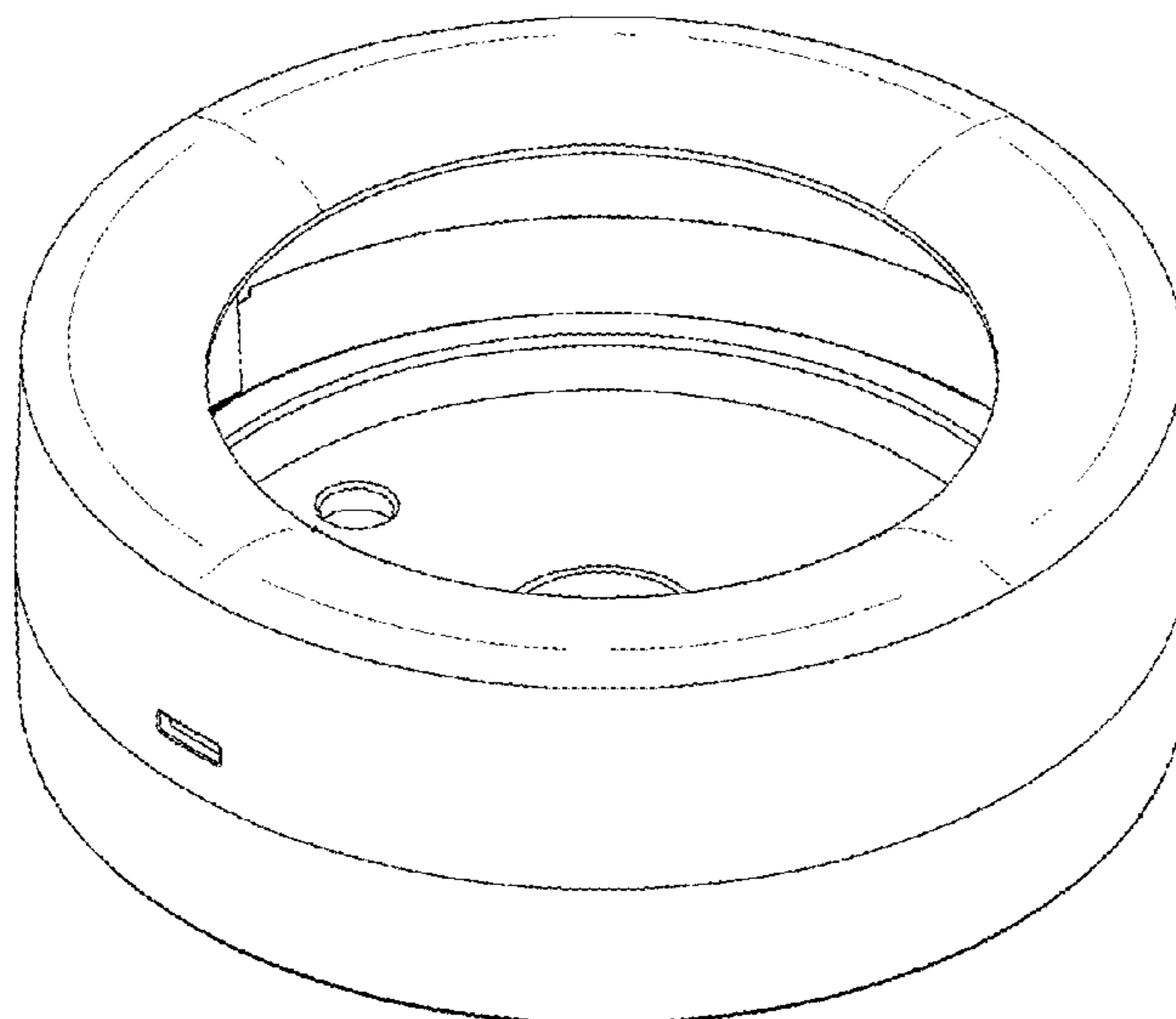
(57) **CLAIM**

The ornamental design for a thermostat lock cover, as shown and described.

DESCRIPTION

FIG. 1 is a front, top, and right perspective view of a thermostat lock cover showing claimed design;
 FIG. 2 is a front view thereof;
 FIG. 3 is a back view thereof;
 FIG. 4 is a left side view thereof;
 FIG. 5 is a right side view thereof;
 FIG. 6 is a top view thereof;
 FIG. 7 is a bottom view thereof;
 FIG. 8 is a front, bottom, and right perspective view thereof;
 FIG. 9 is a perspective view thereof in use, in which a thermostat is inserted; and,
 FIG. 10 is an exploded view of FIG. 9.
 The broken lines shown in FIGS. 9 and 10 depict environment and form no part of the claimed design.

1 Claim, 8 Drawing Sheets



(56)

References Cited

U.S. PATENT DOCUMENTS

8,532,827 B2 * 9/2013 Stefanski F24F 11/50
700/276
D700,075 S * 2/2014 Bould D10/49
9,256,230 B2 * 2/2016 Matsuoka G05D 23/1917
D783,422 S * 4/2017 Kashimoto F24F 11/70
D10/50
9,766,606 B2 * 9/2017 Fadell G06F 3/04847
D819,460 S * 6/2018 Fadell F24F 11/70
D10/50
D823,146 S * 7/2018 Minchilli D10/49
D843,238 S * 3/2019 Rose D10/50
D863,258 S * 10/2019 Song D14/218
D885,208 S * 5/2020 Rose G06F 3/04847
D10/50

* cited by examiner

FIG. 1

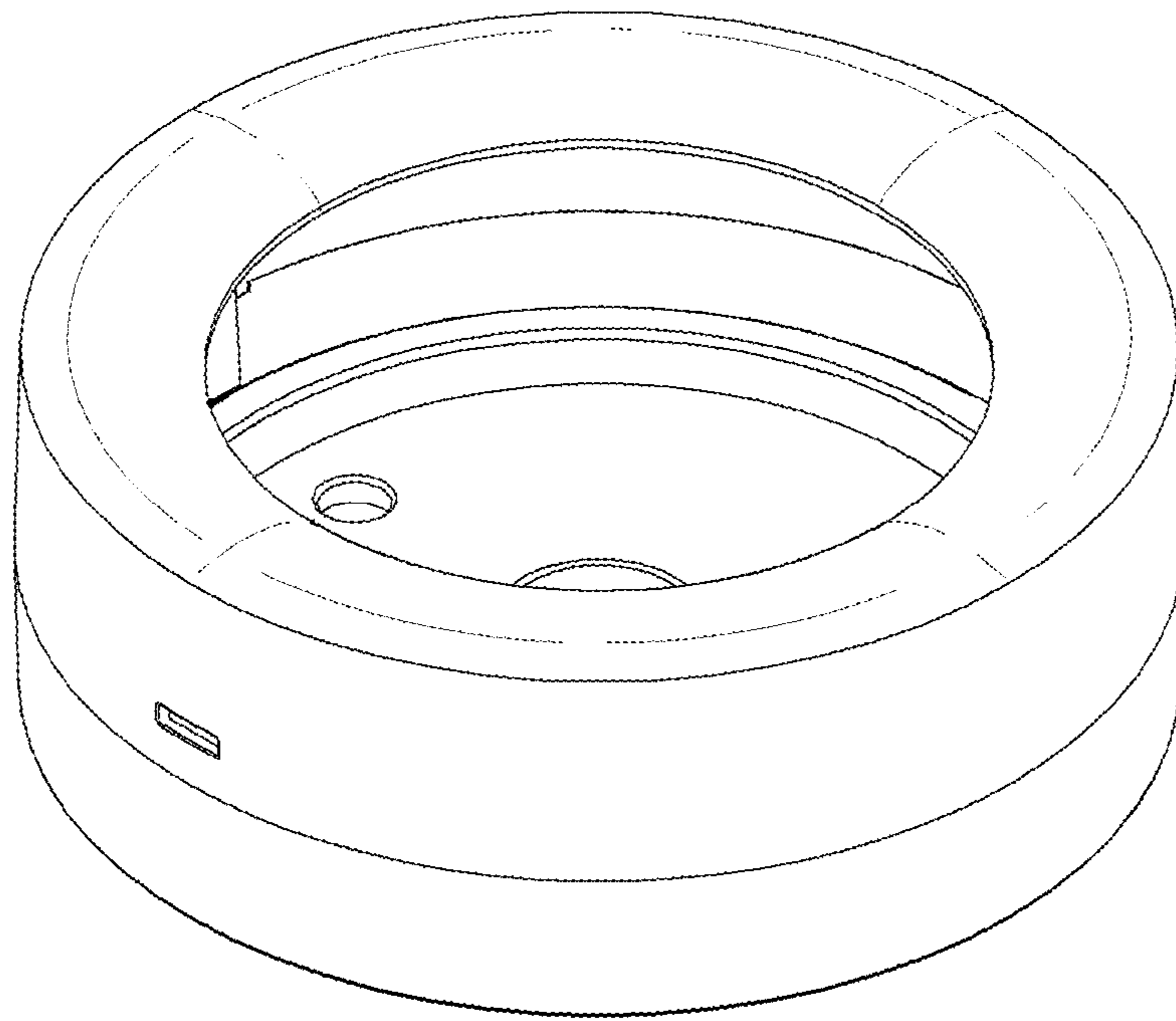


FIG. 2

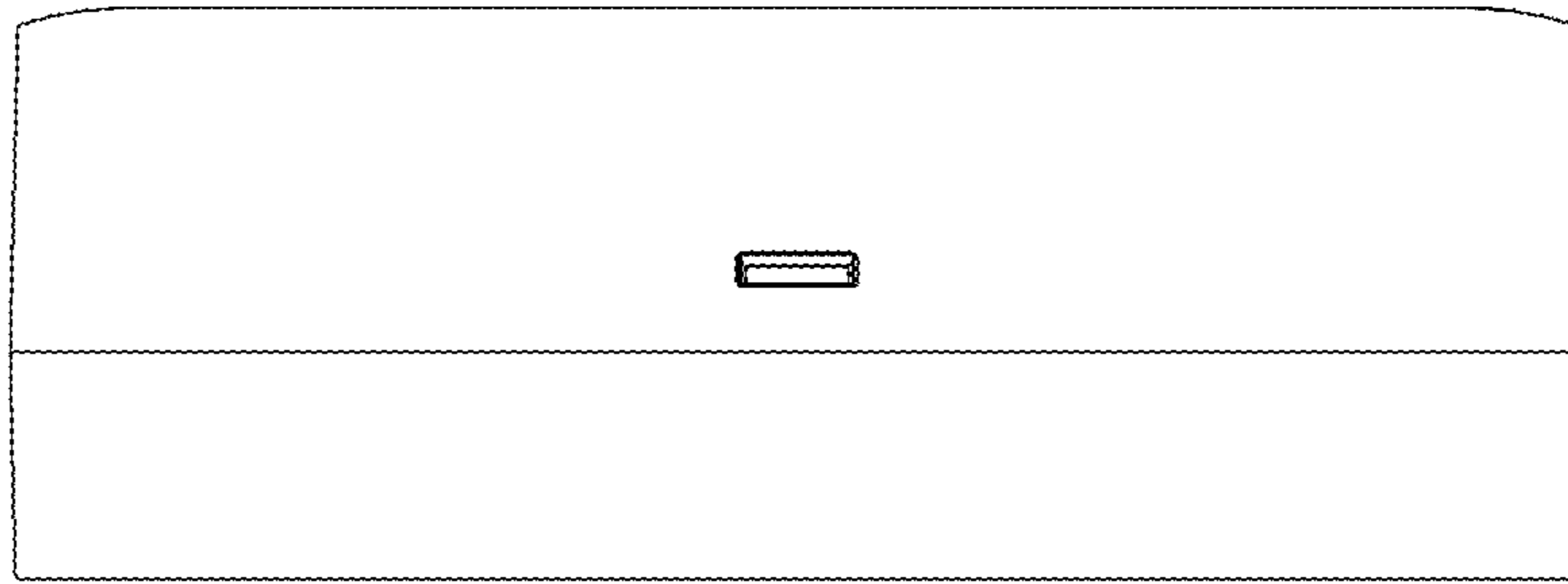


FIG. 3



FIG. 4

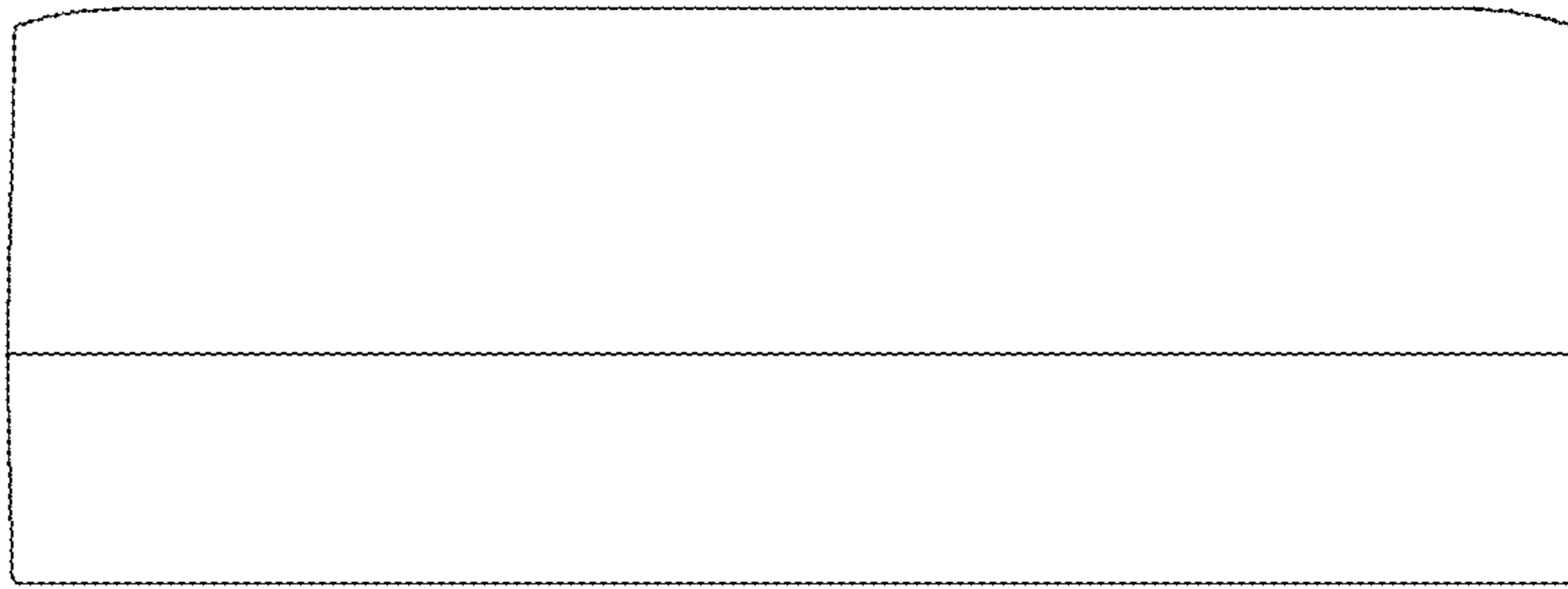


FIG. 5



FIG. 6

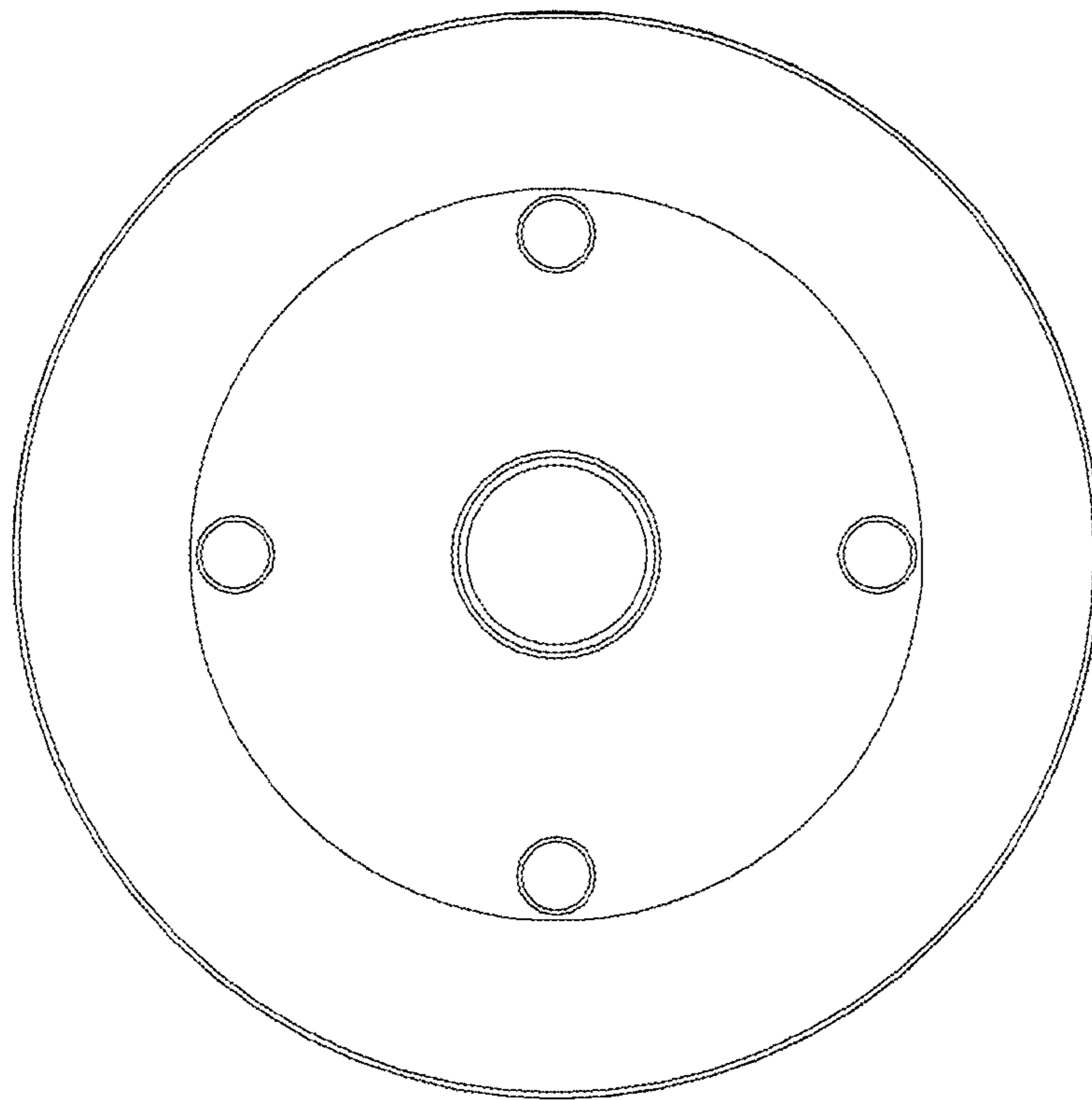


FIG. 7

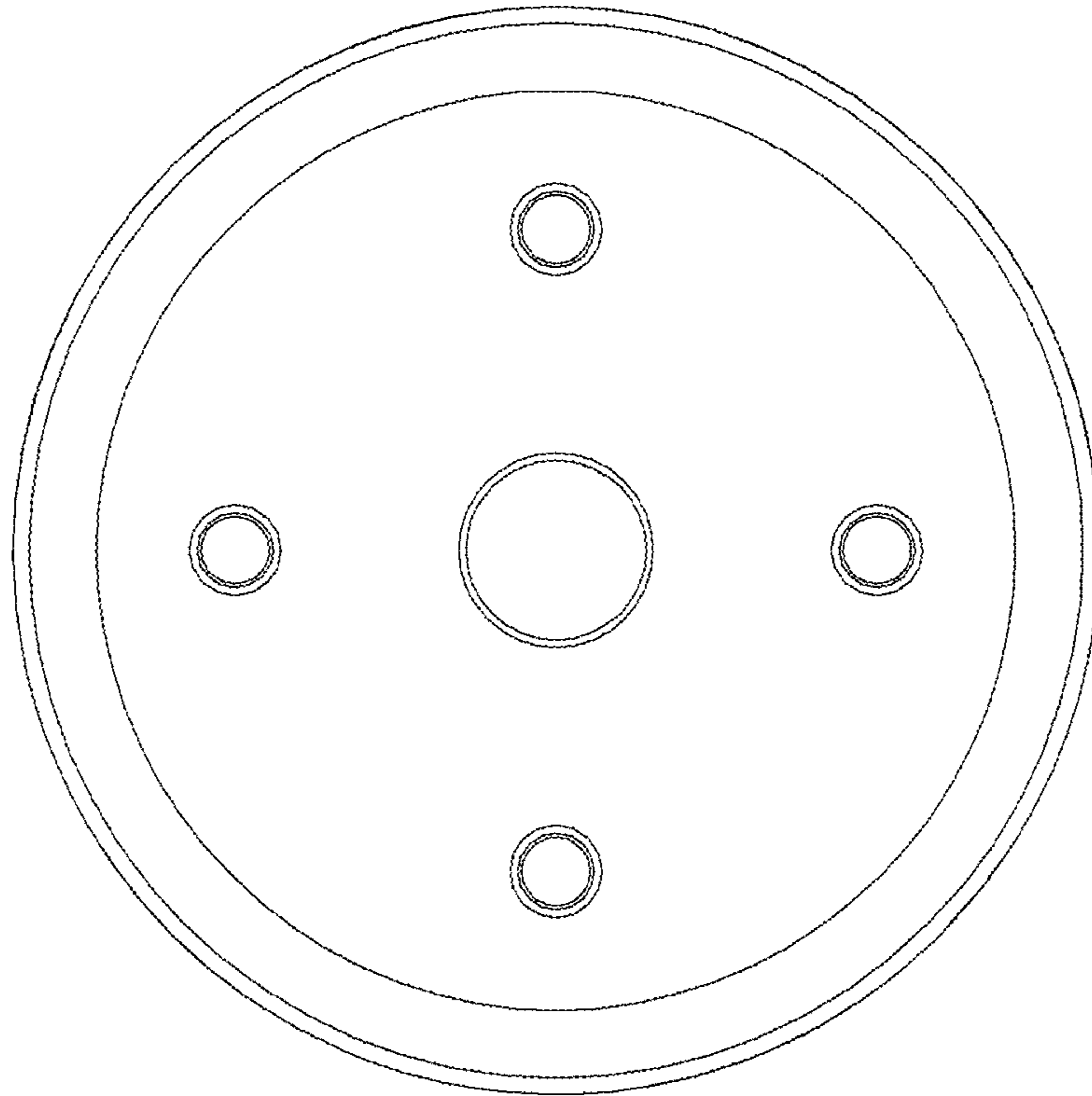


FIG. 8

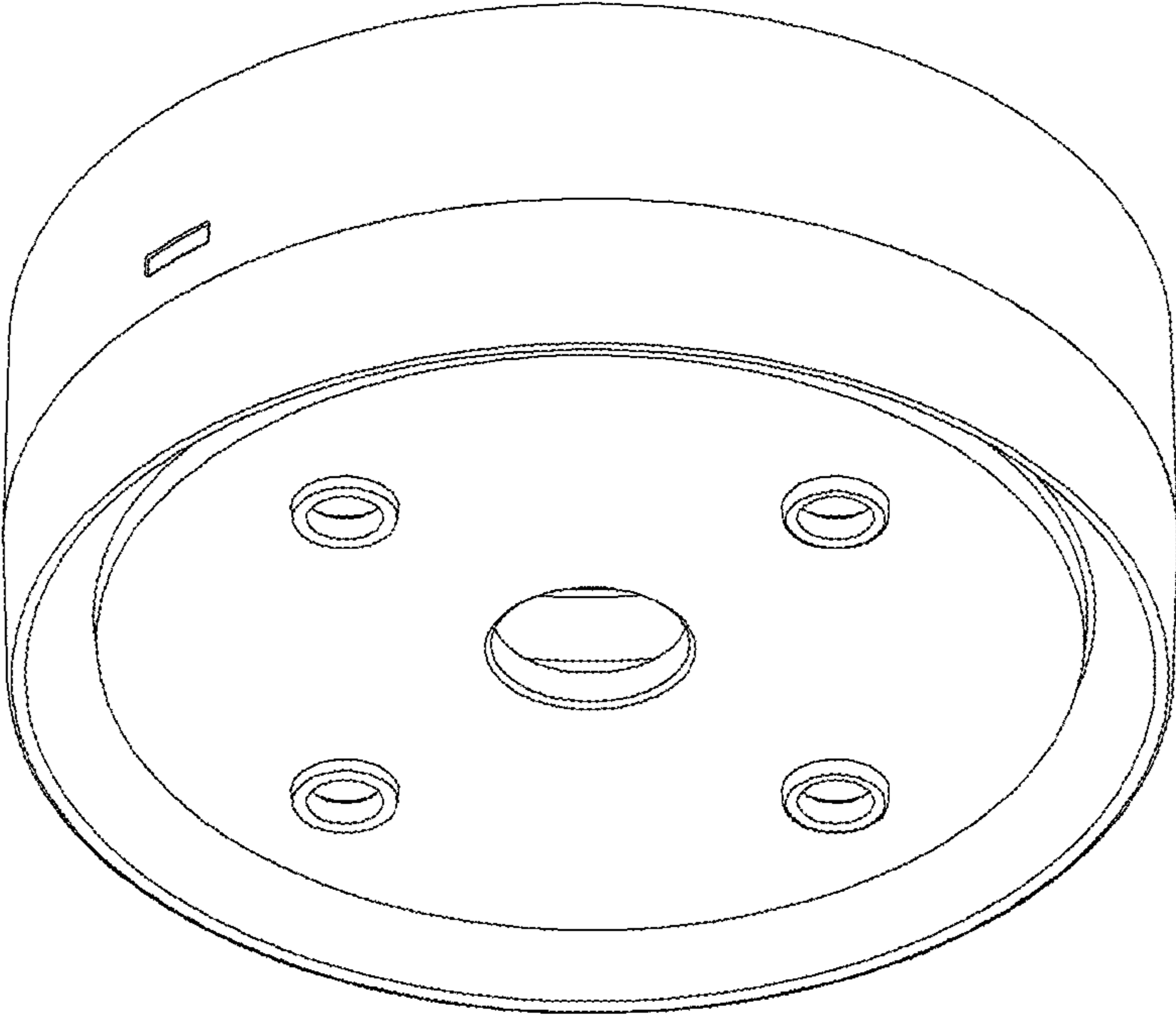


FIG. 9

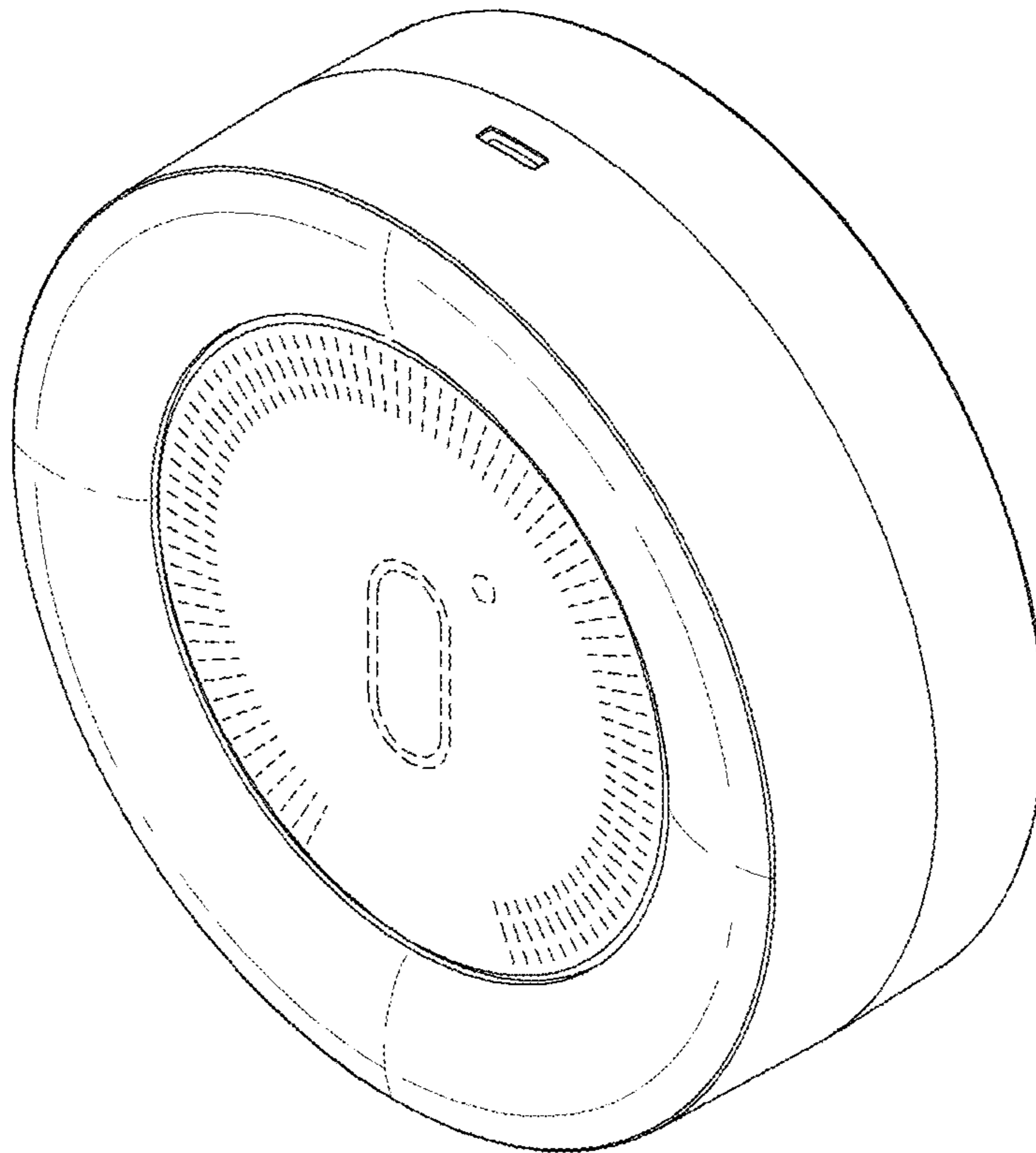


FIG. 10

