



US00D892643S

(12) **United States Design Patent** (10) **Patent No.:** **US D892,643 S**
Wiley et al. (45) **Date of Patent:** **** Aug. 11, 2020**

(54) **SCOREBOARD**

(71) Applicant: **Bigger Digits Scoreboards LLC**,
Roswell, GA (US)
(72) Inventors: **Warren Jeffrey Wiley**, Roswell, GA
(US); **Bradley David Riffel**, Roswell,
GA (US); **Jeff B. Jordan**, Baton Rouge,
LA (US)
(73) Assignee: **Bigger Digits Scoreboards LLC**,
Roswell, GA (US)

(**) Term: **15 Years**

(21) Appl. No.: **29/677,823**

(22) Filed: **Jan. 23, 2019**

(51) **LOC (12) Cl.** **21-01**

(52) **U.S. Cl.**

USPC **D10/46.1**

(58) **Field of Classification Search**

USPC D6/300; D10/46.1; D14/374; D21/300,
D21/334, 335, 363, 365, 370, 385-389,
D21/392, 397

CPC A63B 71/06; A63B 71/0608

See application file for complete search history.

(56) **References Cited**

U.S. PATENT DOCUMENTS

1,466,699 A * 9/1923 Coffinan F41J 5/14
346/51
D303,814 S * 10/1989 Beck F41J 5/14
D20/39
D417,405 S * 12/1999 Tsai D10/46.1
D459,756 S * 7/2002 Lio D19/113
D463,493 S * 9/2002 Beno D19/113
D627,394 S * 11/2010 Nakayama D19/114
D789,454 S * 6/2017 Prsnie D20/44
D790,232 S * 6/2017 Santos D6/300
D855,612 S * 8/2019 Lim D14/374

OTHER PUBLICATIONS

Bigger Digits Scoreboards, Horizontal Scorbard Jan. 6, 2020 [retrieved
on May 20, 2020]. Retrieved from the internet: <URL: https://
biggerdigits.net/horizontal-scorboard-1-6/> (Year: 2020).*

* cited by examiner

Primary Examiner — George D. Kirschbaum

Assistant Examiner — Joseph J Kukella

(74) *Attorney, Agent, or Firm* — Clements Bernard
Walker; Richard A. Walker

(57) **CLAIM**

The ornamental design for a scoreboard, as shown and
described.

DESCRIPTION

FIG. 1 is a front, top, right isometric view of a scoreboard;
FIG. 2 is a rear, bottom, left isometric view of the scoreboard
of FIG. 1;

FIG. 3 is a front elevational view of the scoreboard of FIGS.
1-2;

FIG. 4 is a rear elevational view of the scoreboard of FIGS.
1-3;

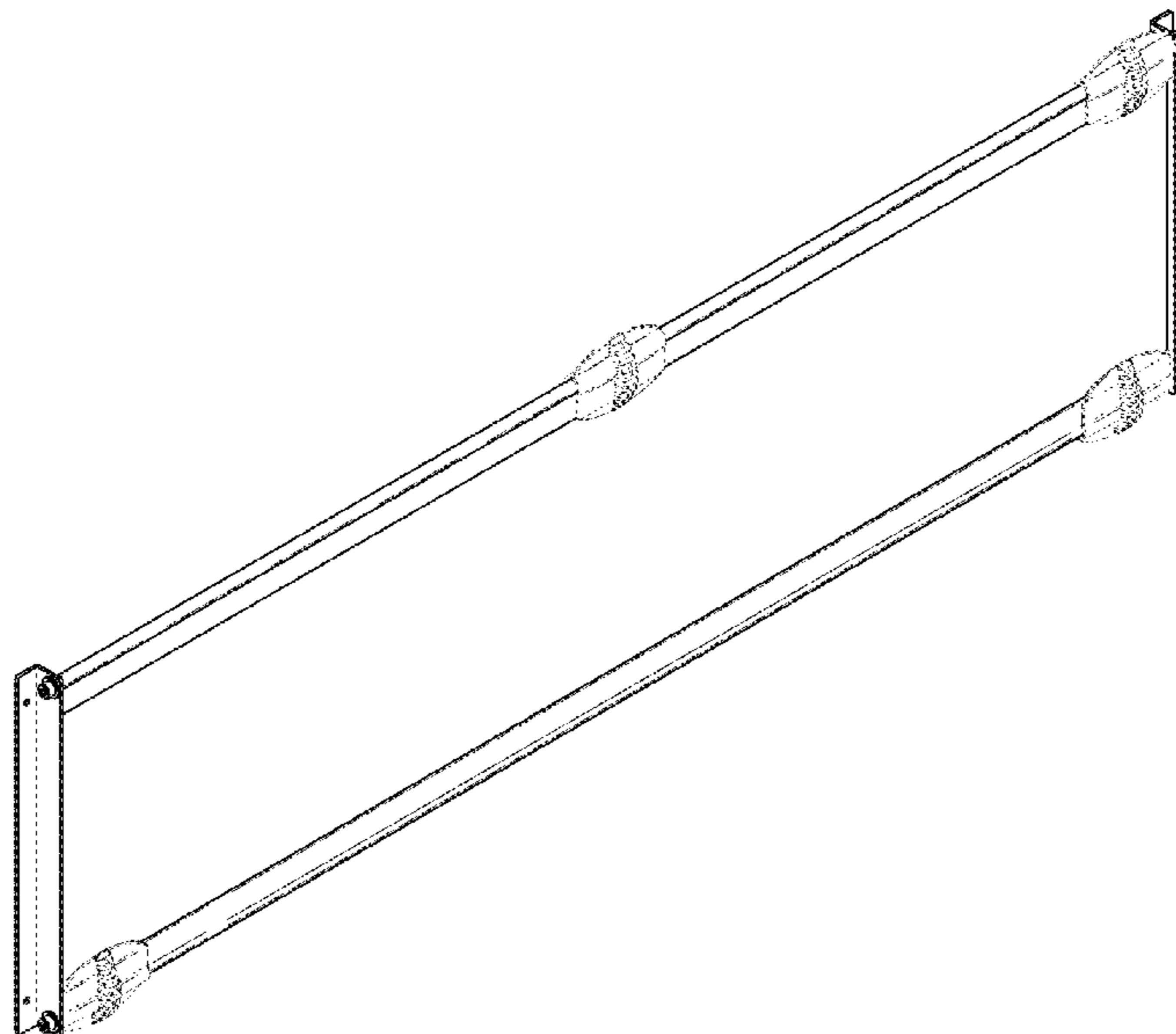
FIG. 5 is a side elevational view of the scoreboard of FIGS.
1-4;

FIG. 6 is another side elevational view of the scoreboard of
FIGS. 1-5;

FIG. 7 is a top plan view of the scoreboard of FIGS. 1-6;
and,

FIG. 8 is a bottom plan view of the scoreboard of FIGS. 1-7.
The thin dash-dash-dash lines are for the purpose of illus-
trating environmental structure and form no part of the
claimed design.

1 Claim, 8 Drawing Sheets



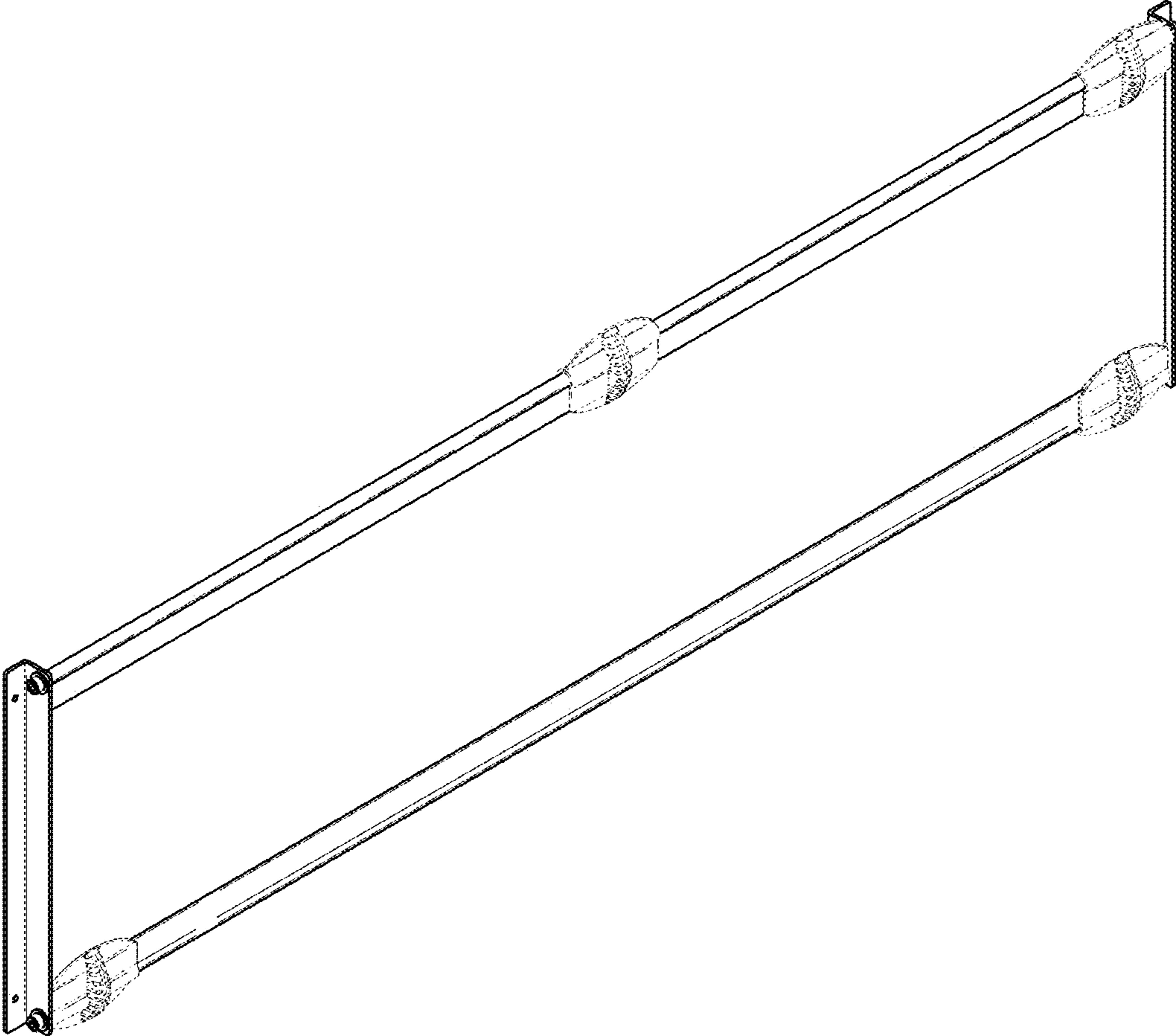


FIG. 1

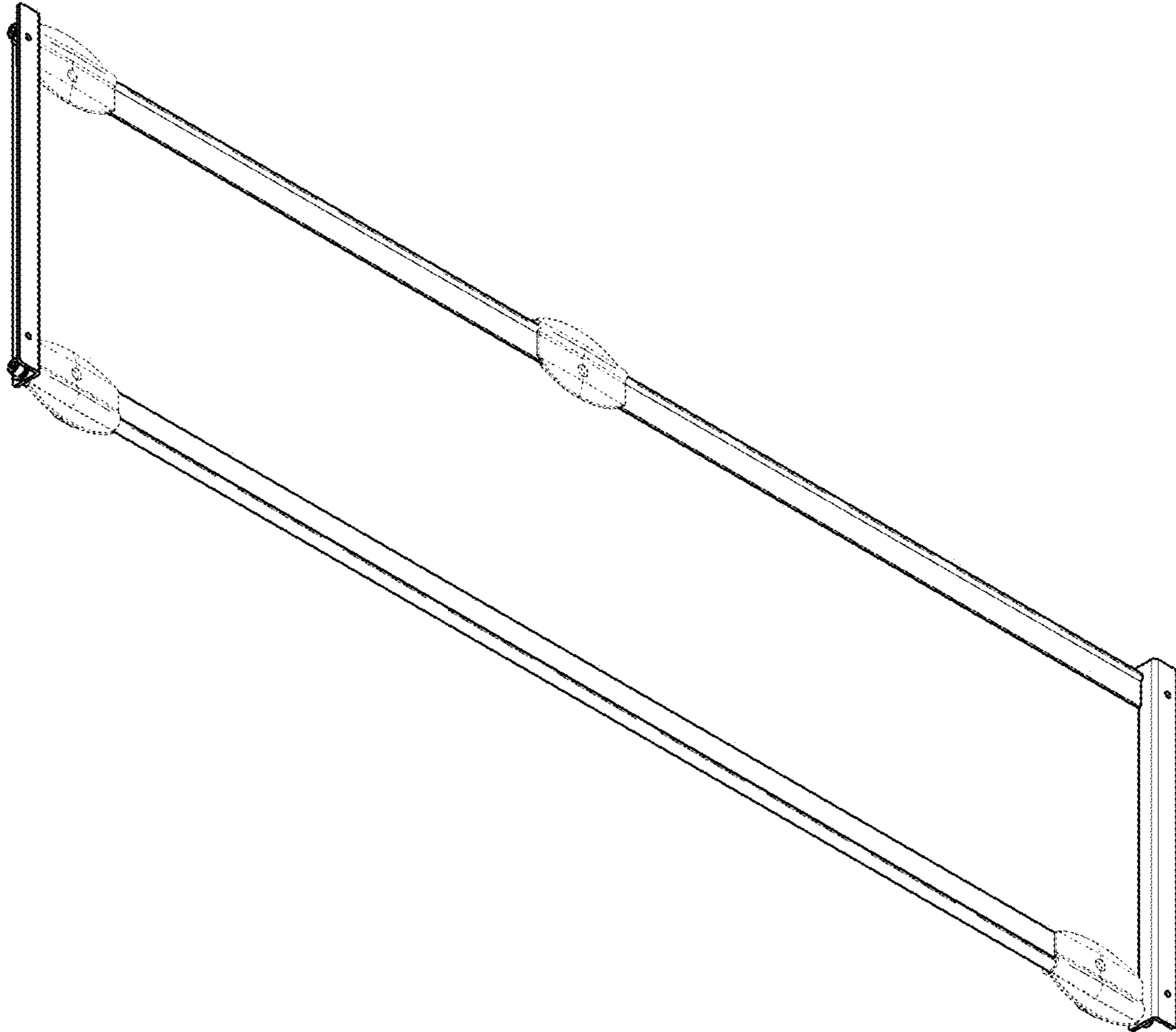


FIG. 2

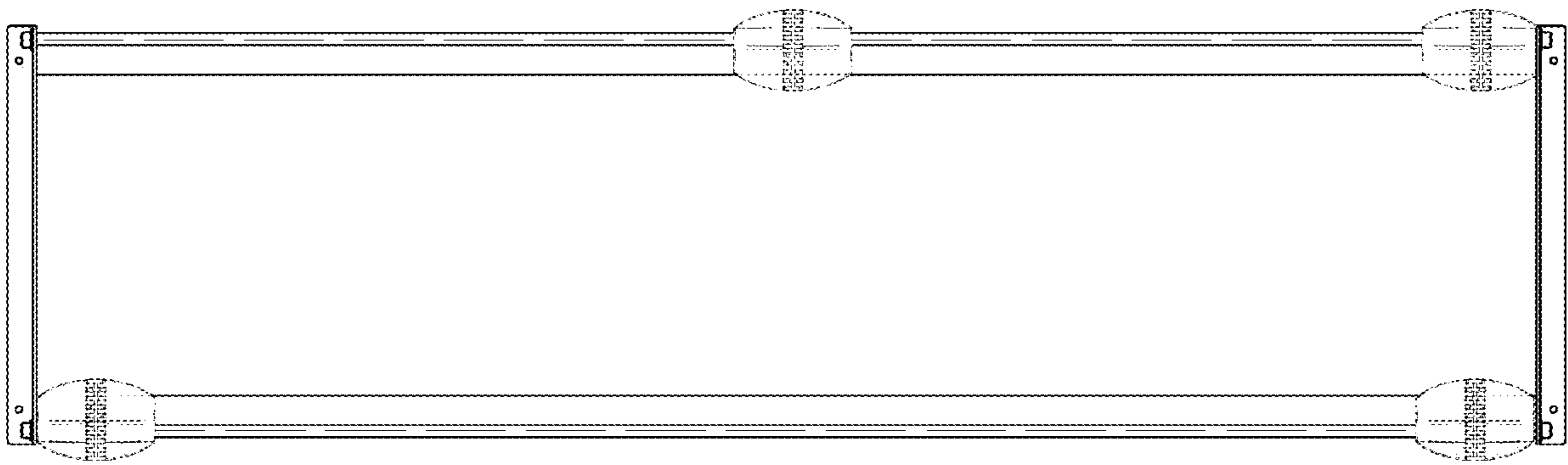


FIG. 3

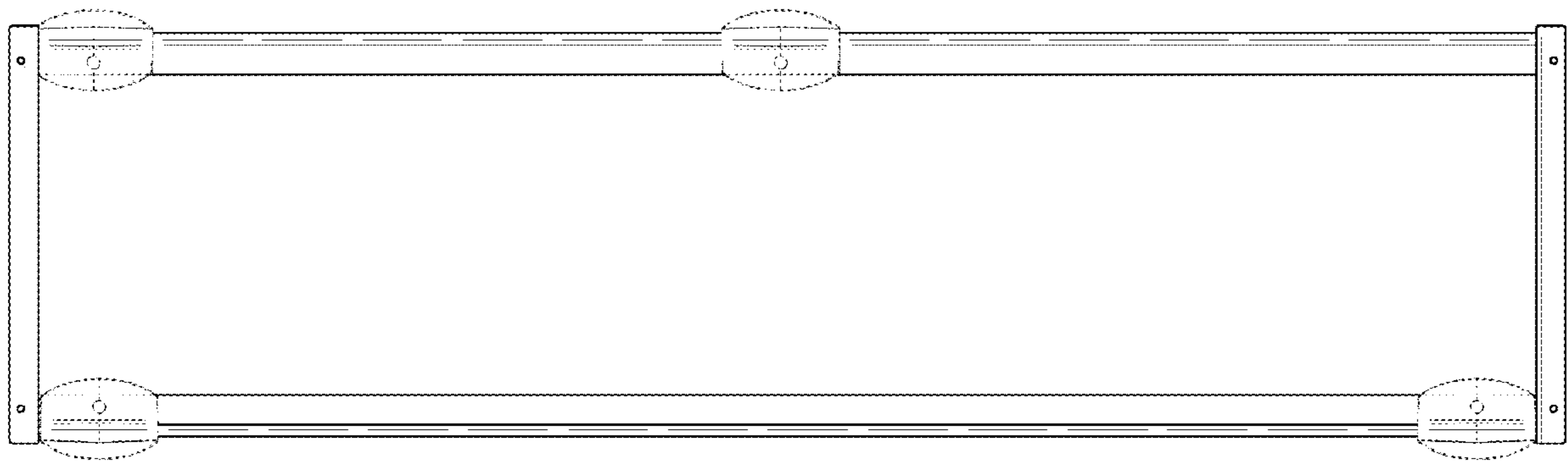


FIG. 4



FIG. 5

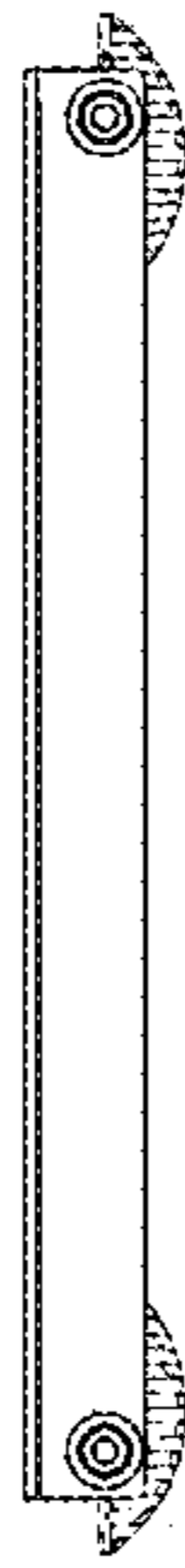


FIG. 6



FIG. 7

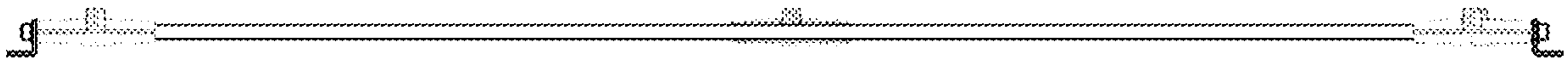


FIG. 8