



US00D892641S

(12) **United States Design Patent** (10) **Patent No.:** **US D892,641 S**
Zhao (45) **Date of Patent:** **** Aug. 11, 2020**

(54) **KIDS ALARM CLOCK**
(71) Applicant: **Jin-Qiu Zhao**, Jinzhou (CN)
(72) Inventor: **Jin-Qiu Zhao**, Jinzhou (CN)
(**) Term: **15 Years**
(21) Appl. No.: **29/678,384**
(22) Filed: **Jan. 29, 2019**
(51) **LOC (12) Cl.** **10-01**
(52) **U.S. Cl.**
USPC **D10/7; D14/171**
(58) **Field of Classification Search**
USPC D10/1-2, 5, 7, 14-15, 22, 24, 40-41,
D10/122-124, 126-130, 104.1, 104.2,
D10/106.94, 114.9; D21/324, 329, 331,
D21/369-397, 531; D14/171-172, 189
CPC G04B 19/00; G04B 19/04; G04B 19/042;
G04B 19/046; G04B 19/048; G04B
19/06; G04B 19/08; G04B 19/085; G04B
19/087; G04B 19/10; G04B 19/12; G04B
19/26; G04B 19/262; G04B 19/264;
G04B 19/268; G04B 21/08; G04B 23/00;
G04B 23/03; G04B 23/028; G04B
23/008; G04B 37/00; G04B 37/008;
G04B 37/0075; G04B 45/04; G04B
45/046; G04B 47/048; G04F 1/00; G04F
7/06; G04F 7/062; G04F 7/065; G04F
8/006; G07C 1/28; A61B 5/02; A61B
5/0024; A61B 5/02438; A61B 5/02444;
A61B 5/02427; A61B 5/0255
See application file for complete search history.

(56) **References Cited**
U.S. PATENT DOCUMENTS
D325,734 S * 4/1992 Miyai D14/188
D359,693 S * 6/1995 Chung D10/23

D413,069 S * 8/1999 Kokkinis D10/1
D491,073 S * 6/2004 Chan D10/15
D502,935 S * 3/2005 Esslinger D14/171
6,894,434 B1 * 5/2005 Kosoff A61M 21/02
315/134
D525,880 S * 8/2006 Okamura D10/15
D588,022 S * 3/2009 Hocherman D10/15
D612,267 S * 3/2010 Tsang D10/1
D616,415 S * 5/2010 Lum D14/188
D676,018 S * 2/2013 Breines D14/189
D753,514 S * 4/2016 Deurloo D10/40
D797,575 S * 9/2017 Lai D10/22
D808,284 S * 1/2018 Seagrim D10/40
D821,890 S * 7/2018 Jin D10/23
D828,534 S * 9/2018 Hu D23/366
10,437,200 B1 * 10/2019 Ostler G04C 17/00
2007/0160968 A1 * 7/2007 Shachrur G09B 19/12
434/304
2010/0203490 A1 * 8/2010 Hocherman G09B 19/12
434/304

* cited by examiner

Primary Examiner — Sandra S Snapp
Assistant Examiner — Katherine Glennon

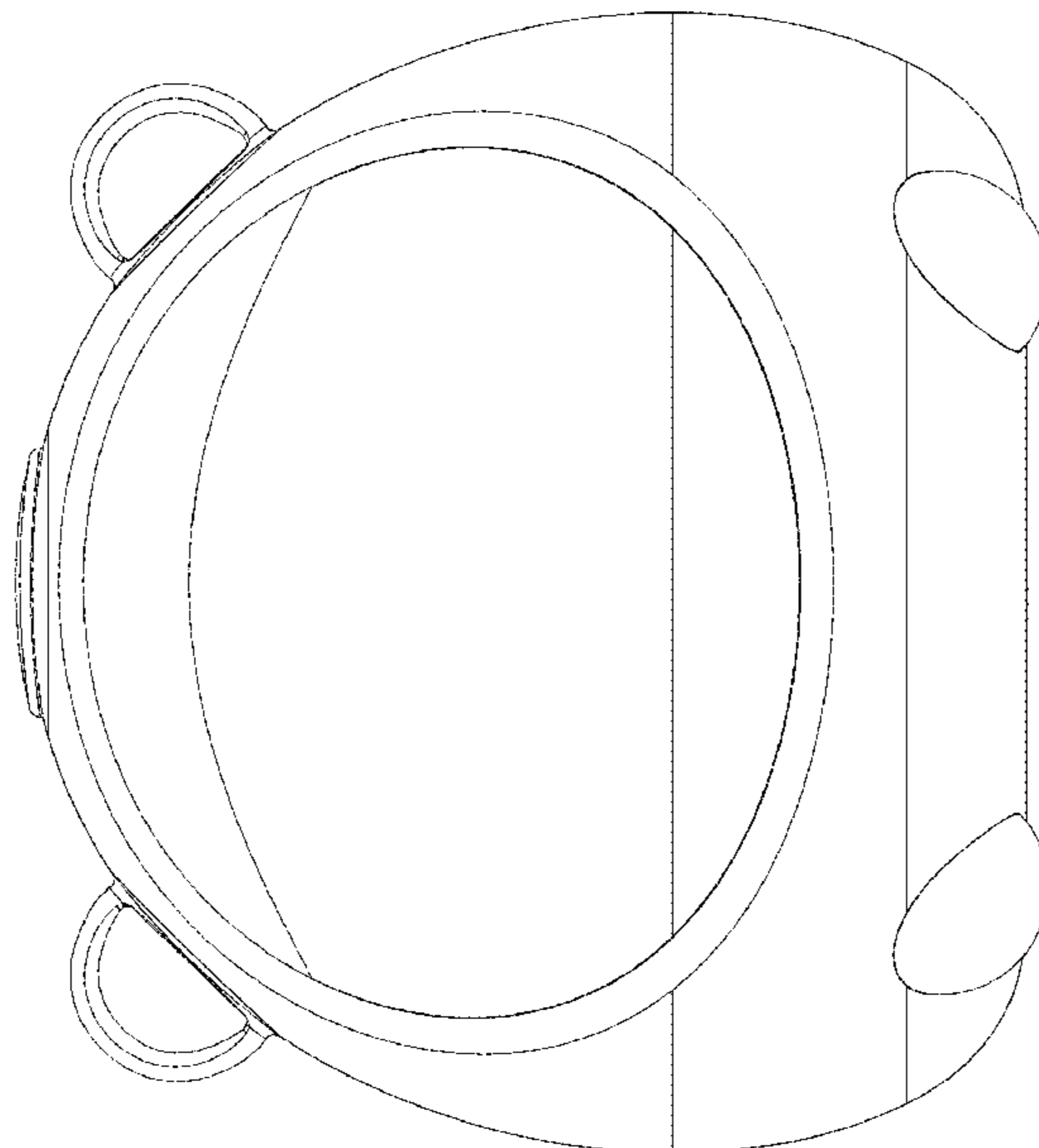
(57) **CLAIM**

The ornamental design for a kids alarm clock, as shown and described.

DESCRIPTION

FIG. 1 is a perspective view of a kids alarm clock showing my new design;
FIG. 2 is a front elevational view thereof;
FIG. 3 is a top plan view thereof;
FIG. 4 is a left side elevational view thereof;
FIG. 5 is a rear elevational view thereof;
FIG. 6 is a right side view; and,
FIG. 7 is a bottom plan view thereof.
The broken lines in the drawings illustrate portions of the kids alarm clock that form no part of the claimed design.

1 Claim, 7 Drawing Sheets



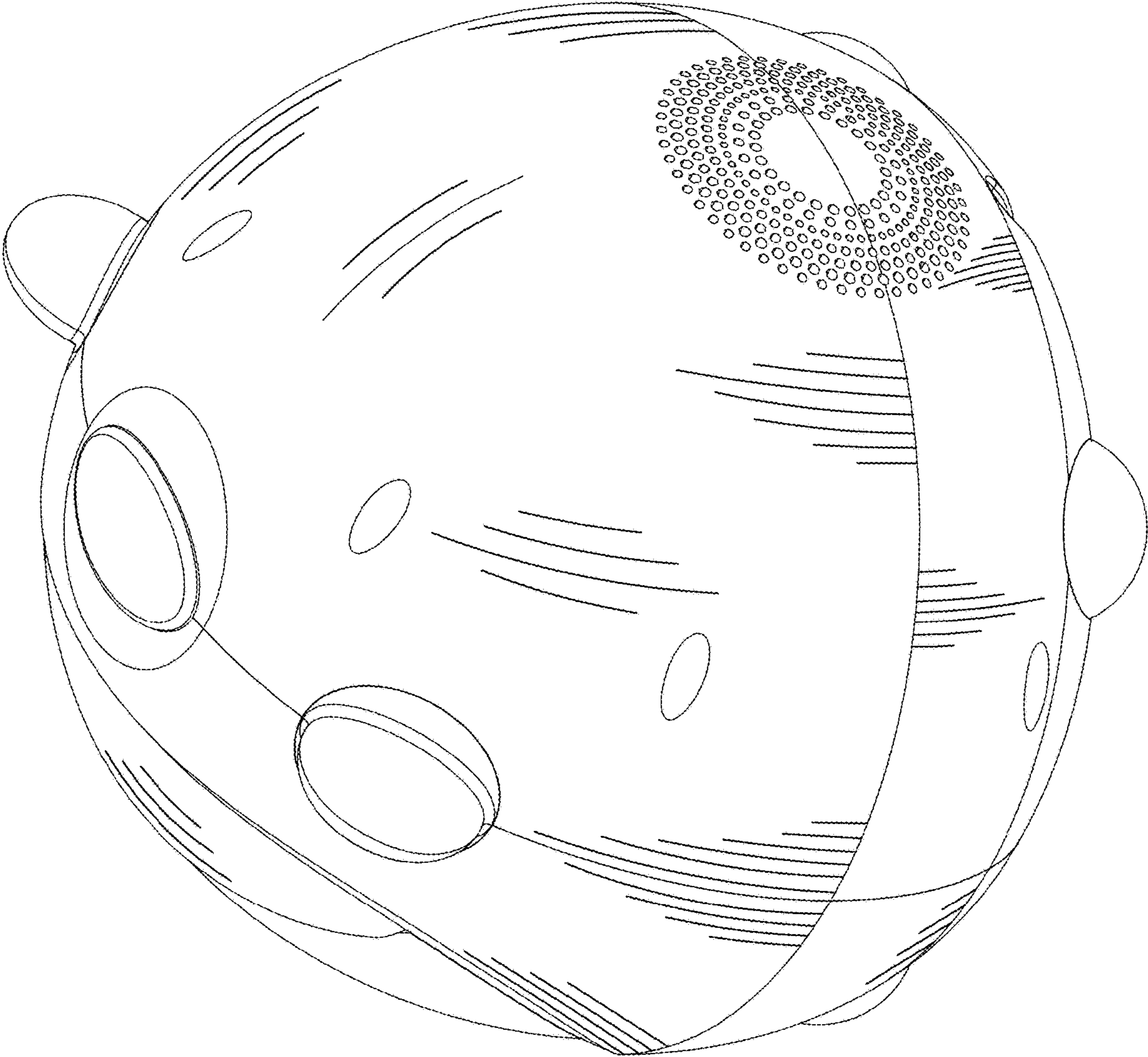


FIG. 1

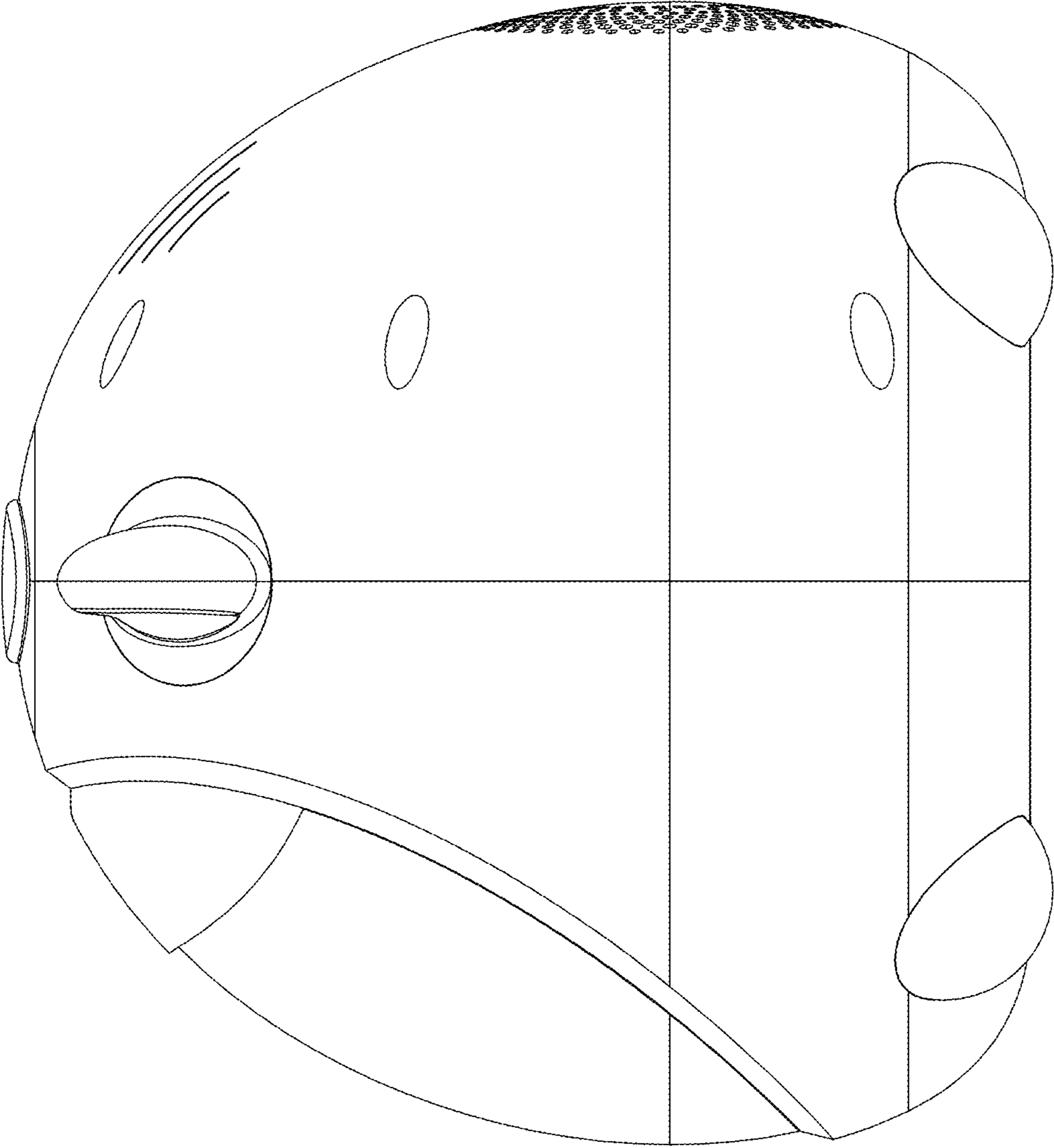


FIG. 2

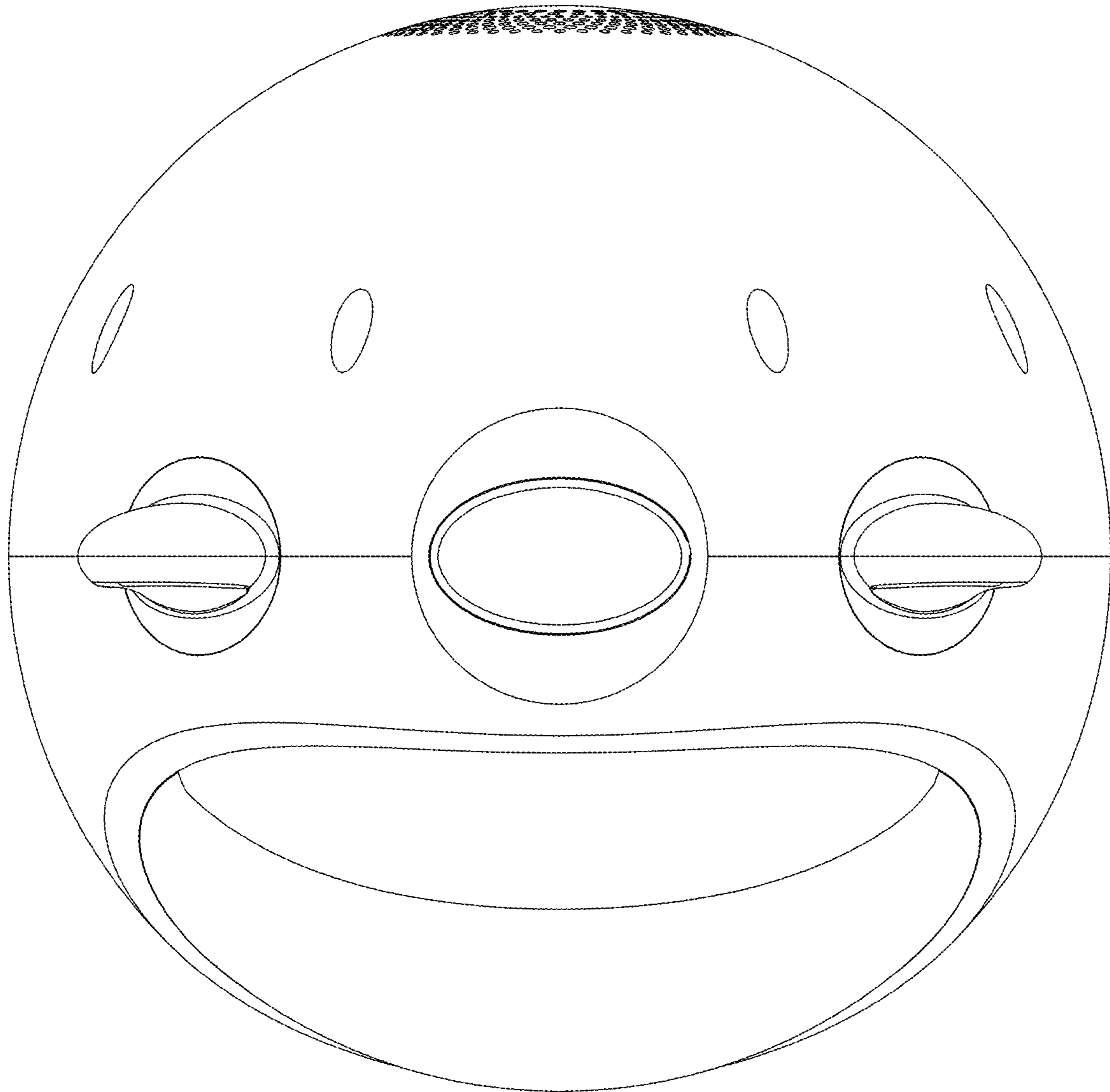


FIG. 3

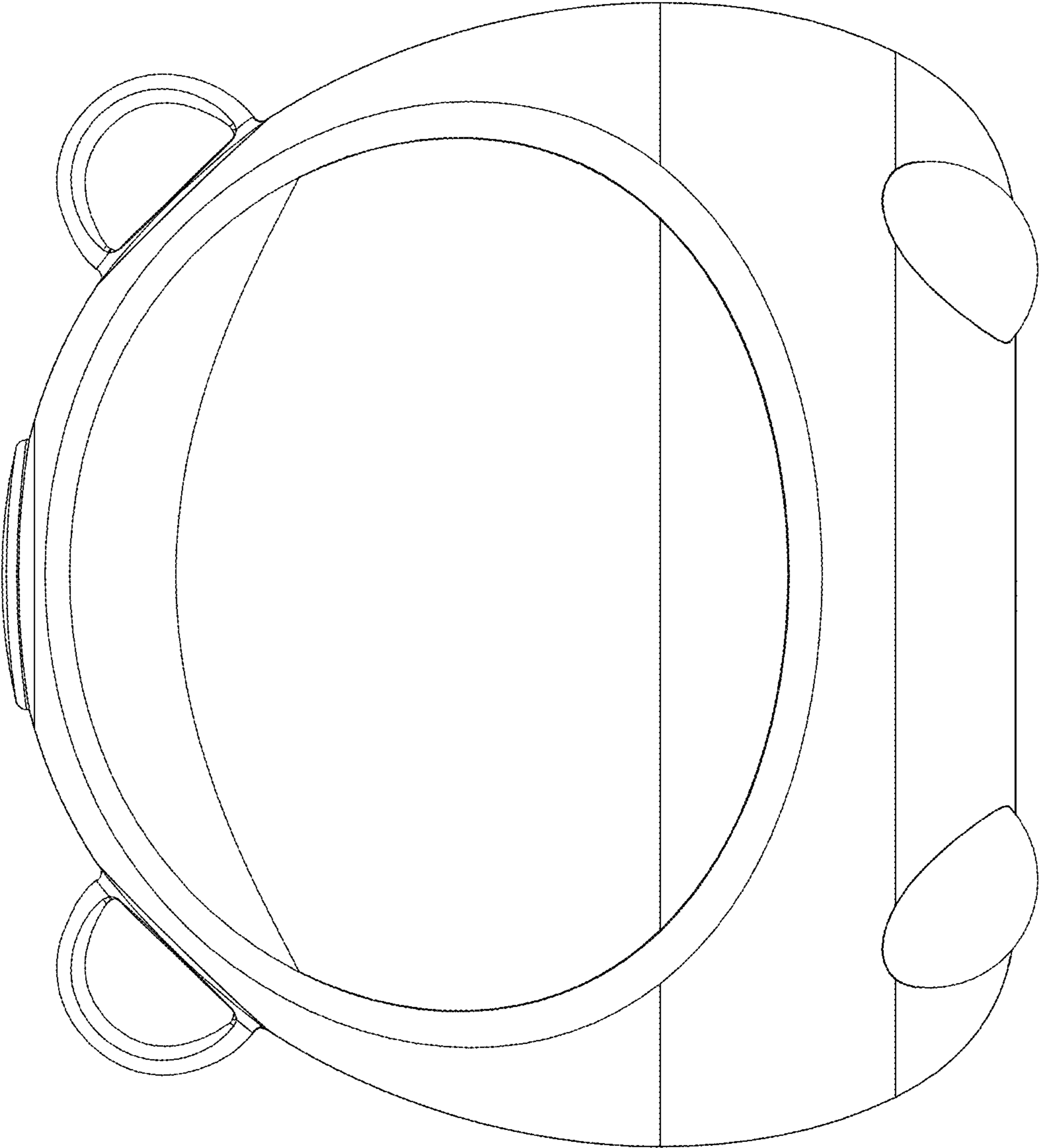


FIG. 4

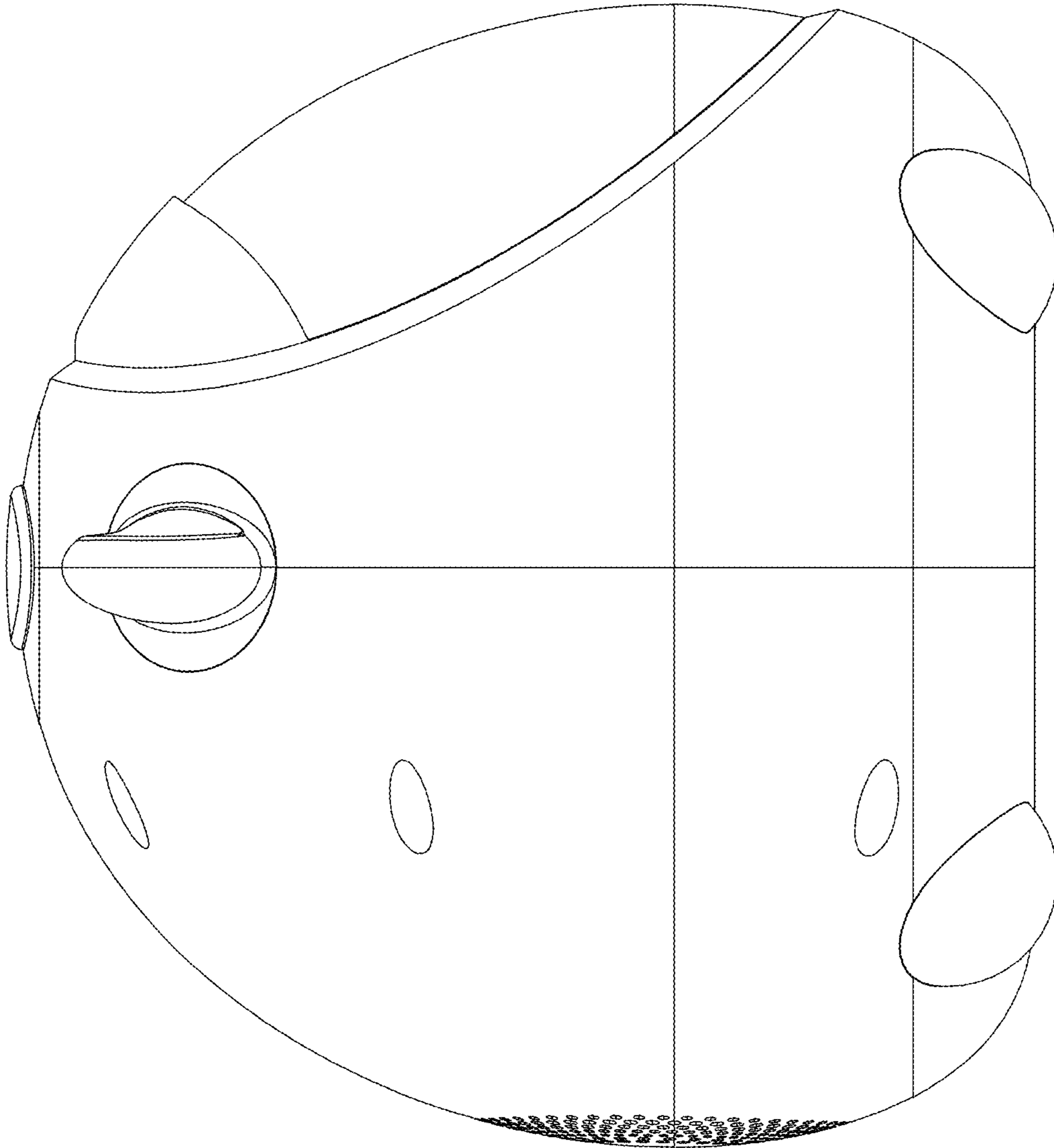


FIG. 5

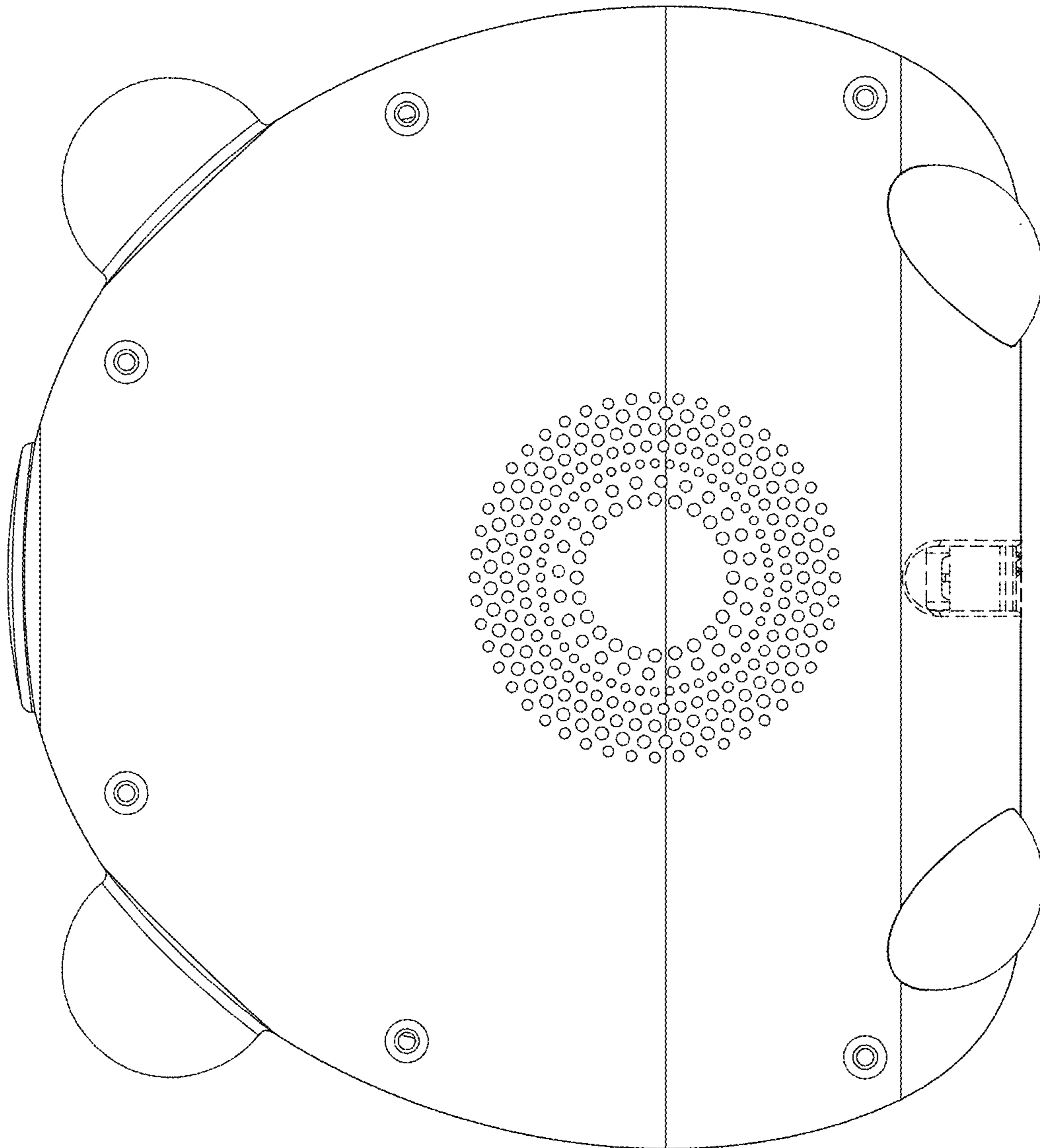


FIG. 6

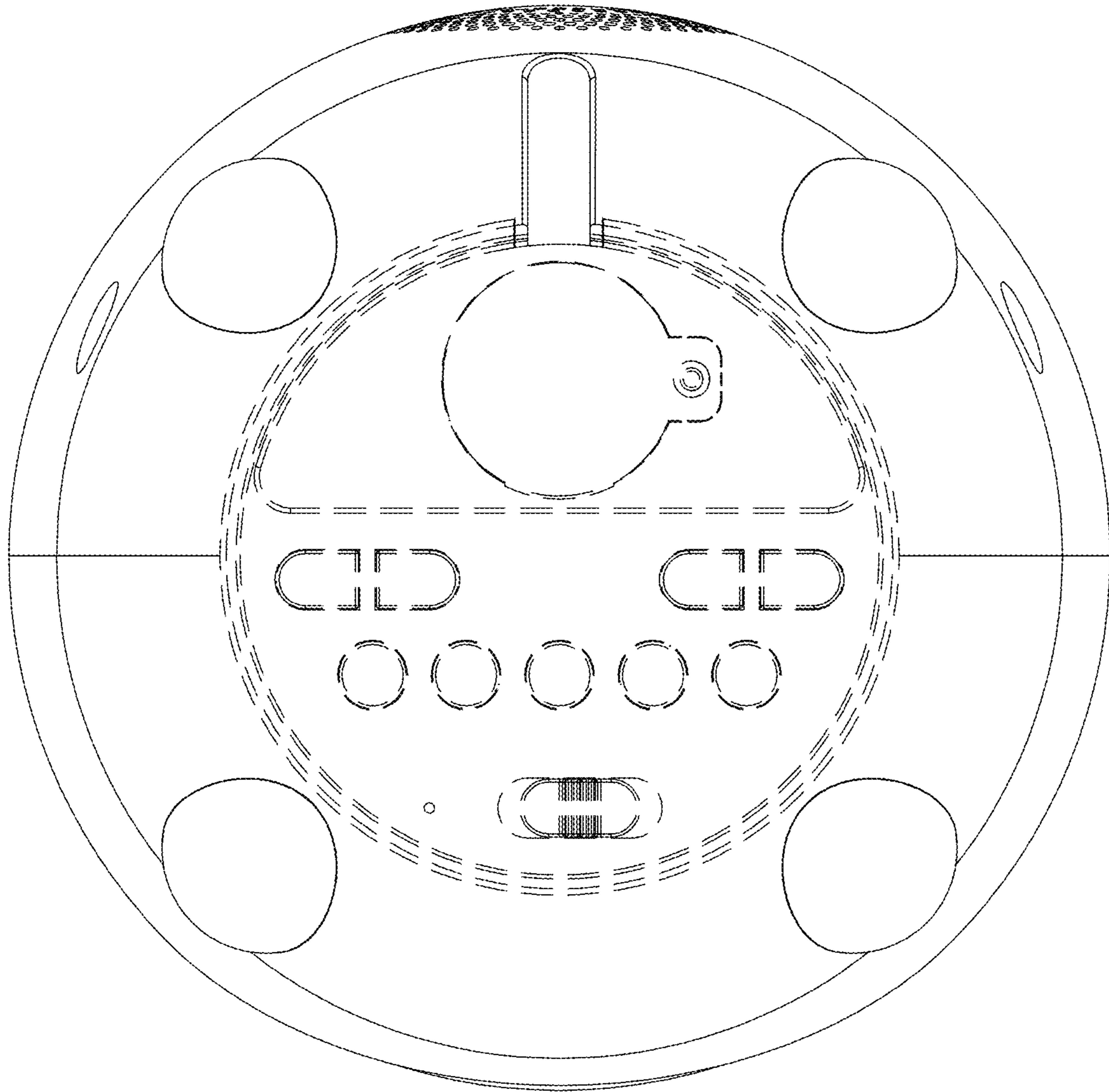


FIG. 7