



US00D892637S

(12) **United States Design Patent**
Troudt et al.

(10) **Patent No.:** **US D892,637 S**

(45) **Date of Patent:** **** Aug. 11, 2020**

(54) **COMPARTMENTED CONTAINER**

(71) Applicant: **D6, Inc.**, Portland, OR (US)

(72) Inventors: **Martin L. Troudt**, Portland, OR (US);
Edward C. Dominion, Portland, OR (US)

(73) Assignee: **D6 Inc.**, Portland, OR (US)

(**) Term: **15 Years**

(21) Appl. No.: **29/668,946**

(22) Filed: **Nov. 2, 2018**

(51) **LOC (12) Cl.** **09-03**

(52) **U.S. Cl.**

USPC **D9/761**; D9/737

(58) **Field of Classification Search**

USPC D9/414, 415, 424, 425, 433, 715, 719,
D9/722, 721, 737, 761; D7/553.2, 601,
D7/602, 629

CPC B65D 85/52; B65D 25/04; B65D 75/5827;
B65D 65/22; B65D 33/20; B65D 75/14;
B65D 5/50; B65D 43/0204; B65D
2543/00296; B65D 81/28; B65D 43/162;
B65D 51/28; B65D 2543/00194; B65D
21/0233; B65D 2519/00174; B65D
2519/00034; B65D 1/36; B65D
2519/00069; B65D 65/10; B65D 1/24;
B65D 2519/00288; B65D 75/22; B65D
81/3453; B65D 2543/00648; B65D 25/54;
B65D 25/38; B65D 5/503; B65D
2519/00208; B65D 2519/0086; B65D
2543/00759; B65B 25/02; B65B 7/26;
B65B 3/00

See application file for complete search history.

(56) **References Cited**

U.S. PATENT DOCUMENTS

D219,645 S 1/1971 Rabe
D227,041 S * 5/1973 Link D23/290

D261,465 S 10/1981 Minchew
D293,767 S 1/1988 Powers
D297,797 S 9/1988 Roberts
D304,678 S * 11/1989 Vigue D9/761
5,007,552 A 4/1991 Sage et al.
5,154,294 A 10/1992 Dunford
D376,928 S 12/1996 Lorenzana et al.
5,730,288 A 3/1998 Weisburn
D395,233 S 6/1998 Bryan, III et al.
5,853,105 A 12/1998 Roman et al.
D417,366 S 12/1999 Obra

(Continued)

FOREIGN PATENT DOCUMENTS

FR 2058493 5/1971

OTHER PUBLICATIONS

Plancon Corp., Fresh-M-Clear Cube SC1-3E, online at <https://www.plancon.com/products/stock-food-package/fresh-n-clear-snackcube-3-compartment-egg>, copyright 2016, visited Oct. 10, 2018.

(Continued)

Primary Examiner — Lauren R Calve

(74) *Attorney, Agent, or Firm* — Stoel Rives LLP

(57) **CLAIM**

The ornamental design for a compartmented container, as shown and described.

DESCRIPTION

FIG. 1 is a top perspective view of a compartmented container showing the new design.

FIG. 2 is a bottom perspective view thereof.

FIG. 3 is a top view thereof.

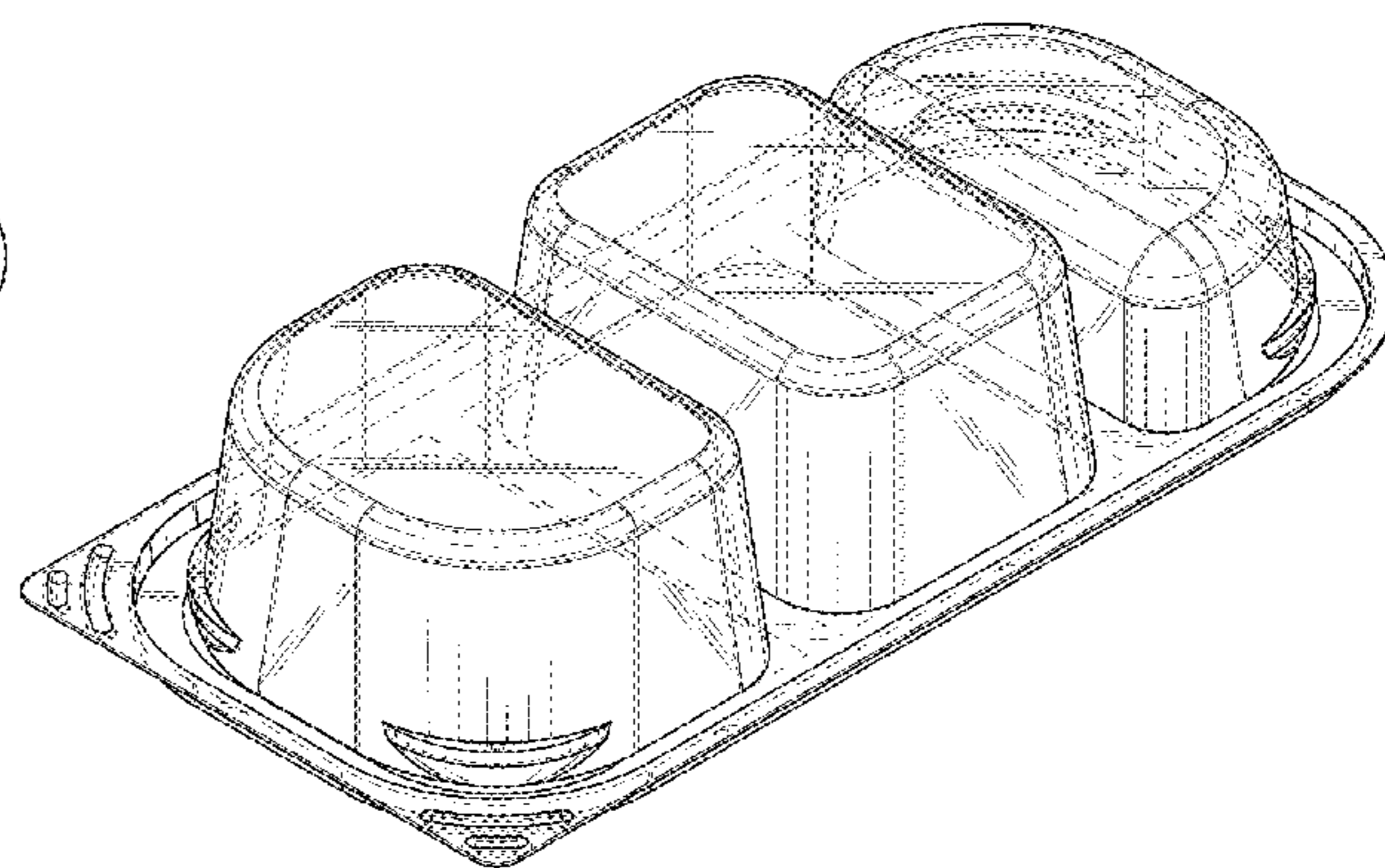
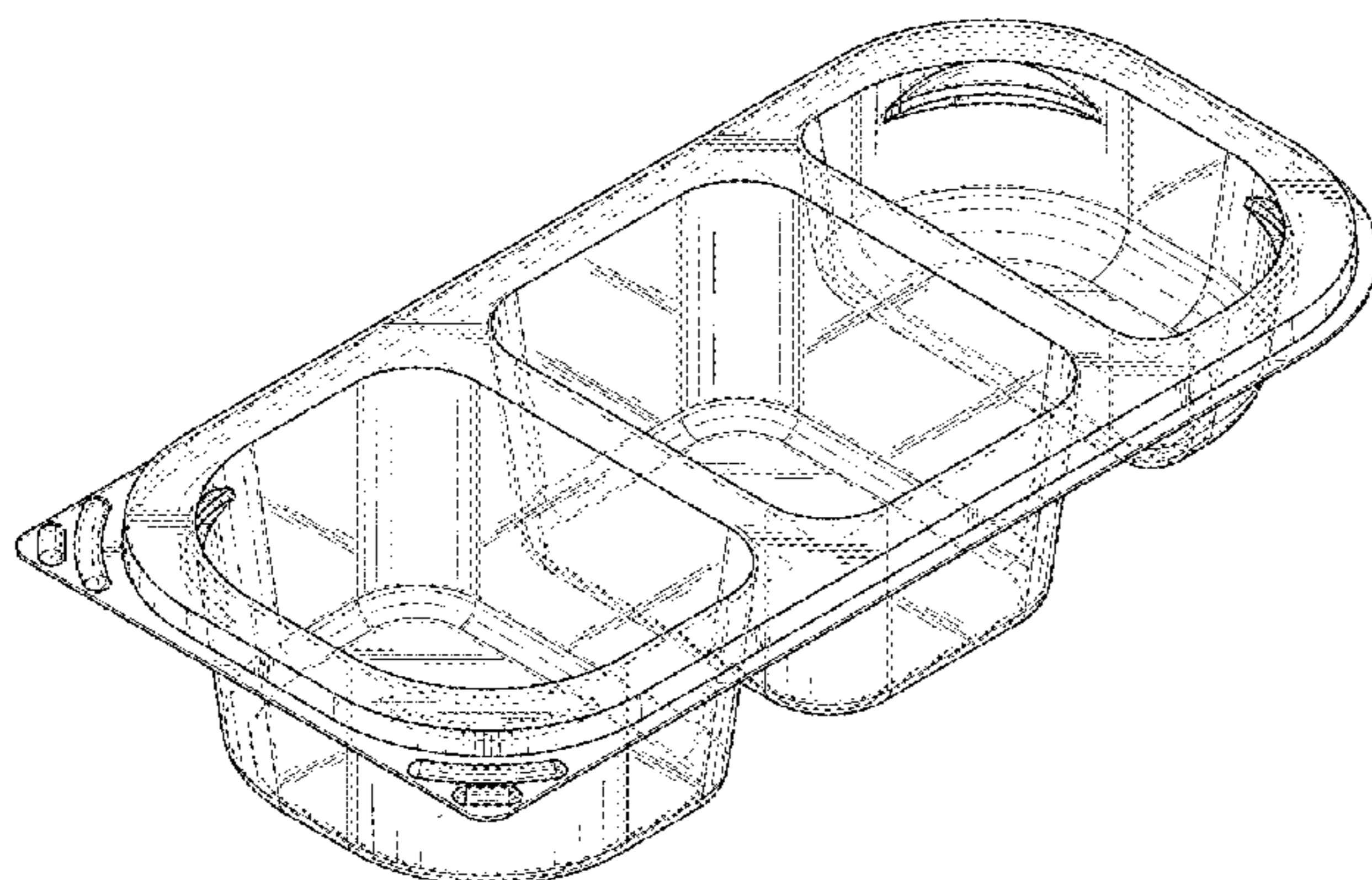
FIG. 4 is a right side view thereof, the left side being a mirror image.

FIG. 5 is a front end view thereof.

FIG. 6 is a bottom view thereof; and,

FIG. 7 is a rear end view thereof.

1 Claim, 3 Drawing Sheets



(56)

References Cited

U.S. PATENT DOCUMENTS

D420,283 S 2/2000 Reichel
 D420,855 S * 2/2000 Hurley D7/549
 D426,751 S 6/2000 Obra
 D434,276 S 11/2000 Obra
 6,409,021 B1 6/2002 Ramirez et al.
 D471,766 S 3/2003 Bradley et al.
 D492,196 S 6/2004 Hyhlik et al.
 D494,463 S * 8/2004 Tsao D9/761
 D505,335 S * 5/2005 Grenda D9/737
 D516,914 S 3/2006 Ducharme et al.
 D529,821 S * 10/2006 Wilcox D9/761
 D530,626 S 10/2006 Tanja
 D549,574 S 8/2007 Watson et al.
 D568,111 S 5/2008 Epstein
 7,377,381 B2 5/2008 Dziaba et al.
 D589,341 S * 3/2009 Busse D9/424
 7,565,864 B2 6/2009 Hart
 D610,407 S 2/2010 Rauckman
 D621,718 S * 8/2010 Mehdizadeh D9/707
 D632,560 S 2/2011 Caldwell et al.
 D667,734 S 9/2012 Goodman
 D714,660 S 10/2014 Tilahun et al.
 D750,976 S 3/2016 Tilahun et al.
 D764,317 S 8/2016 Martinez
 D773,940 S 12/2016 Tilahun et al.
 D780,599 S 3/2017 Tilahun et al.
 D798,166 S 9/2017 Tilahun et al.

D798,738 S 10/2017 Tilahun et al.
 D804,964 S 12/2017 Bennett
 D813,057 S * 3/2018 Clark D9/761
 D823,699 S 7/2018 Orzeck et al.
 D862,248 S * 10/2019 Arendt D9/760
 2003/0146223 A1 * 8/2003 Loh A47G 19/06
 220/575
 2004/0033338 A1 2/2004 Pratte
 2005/0124521 A1 * 6/2005 Sadlowski D06F 35/006
 510/295
 2009/0039079 A1 2/2009 Lipinski et al.
 2009/0186132 A1 7/2009 Mangino et al.
 2011/0027438 A1 * 2/2011 Finkowski A21C 9/086
 426/413
 2014/0197067 A1 * 7/2014 Veltrop B65D 83/0005
 206/564
 2015/0048000 A1 * 2/2015 Jones B65D 75/368
 206/462
 2015/0360840 A1 * 12/2015 Tilahun B65D 85/70
 426/87
 2017/0240331 A1 * 8/2017 Huffer B65D 75/5855

OTHER PUBLICATIONS

School Specialty, Inc., Shirley KS 3 Compartment Storage Tray, online at https://store.schoolspecialty.com/OA_HTML/ibeCCtpltmDspRte.jsp?minisite=10404&item=3156240. visited Oct. 10, 2018.

* cited by examiner

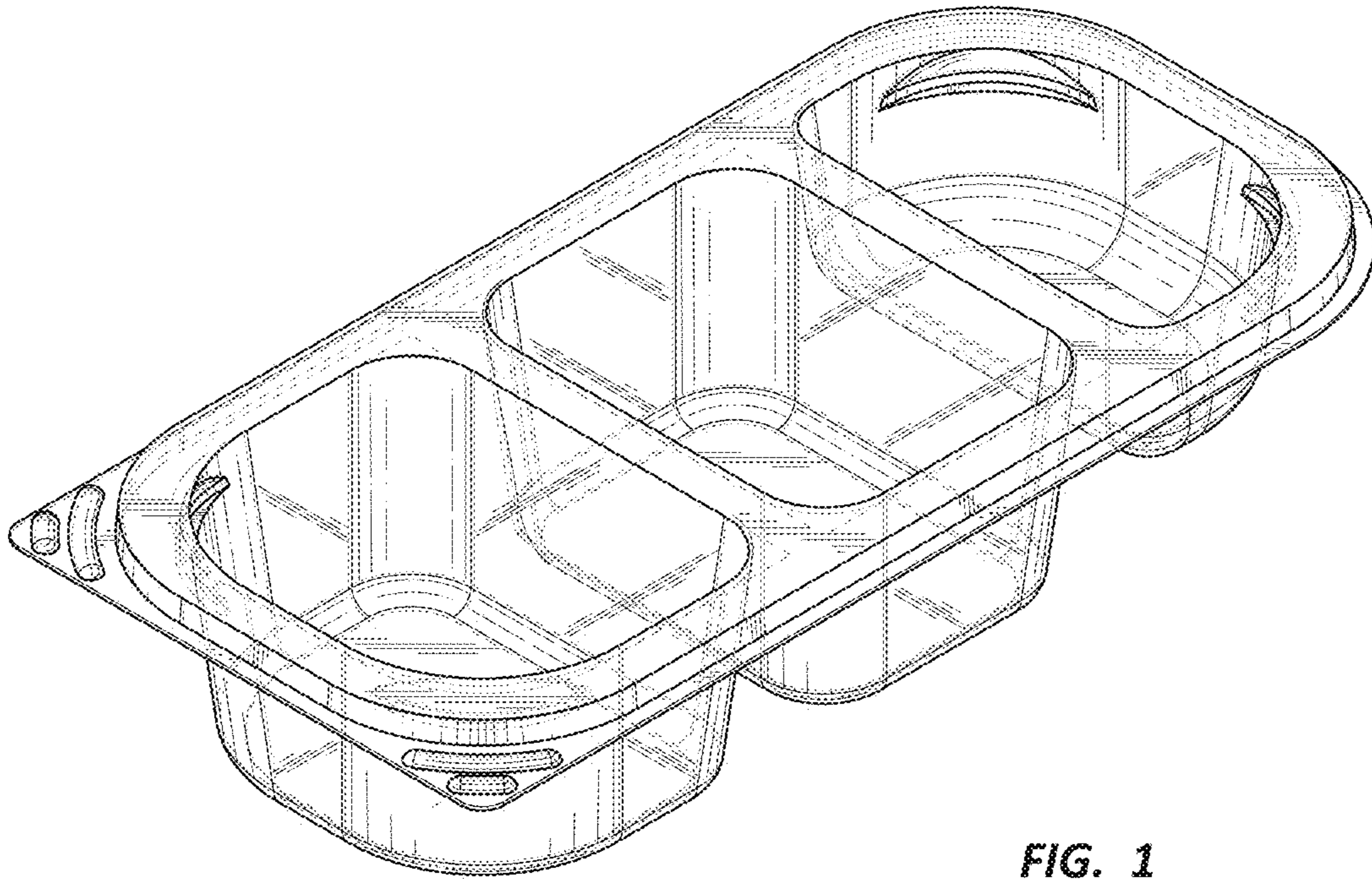


FIG. 1

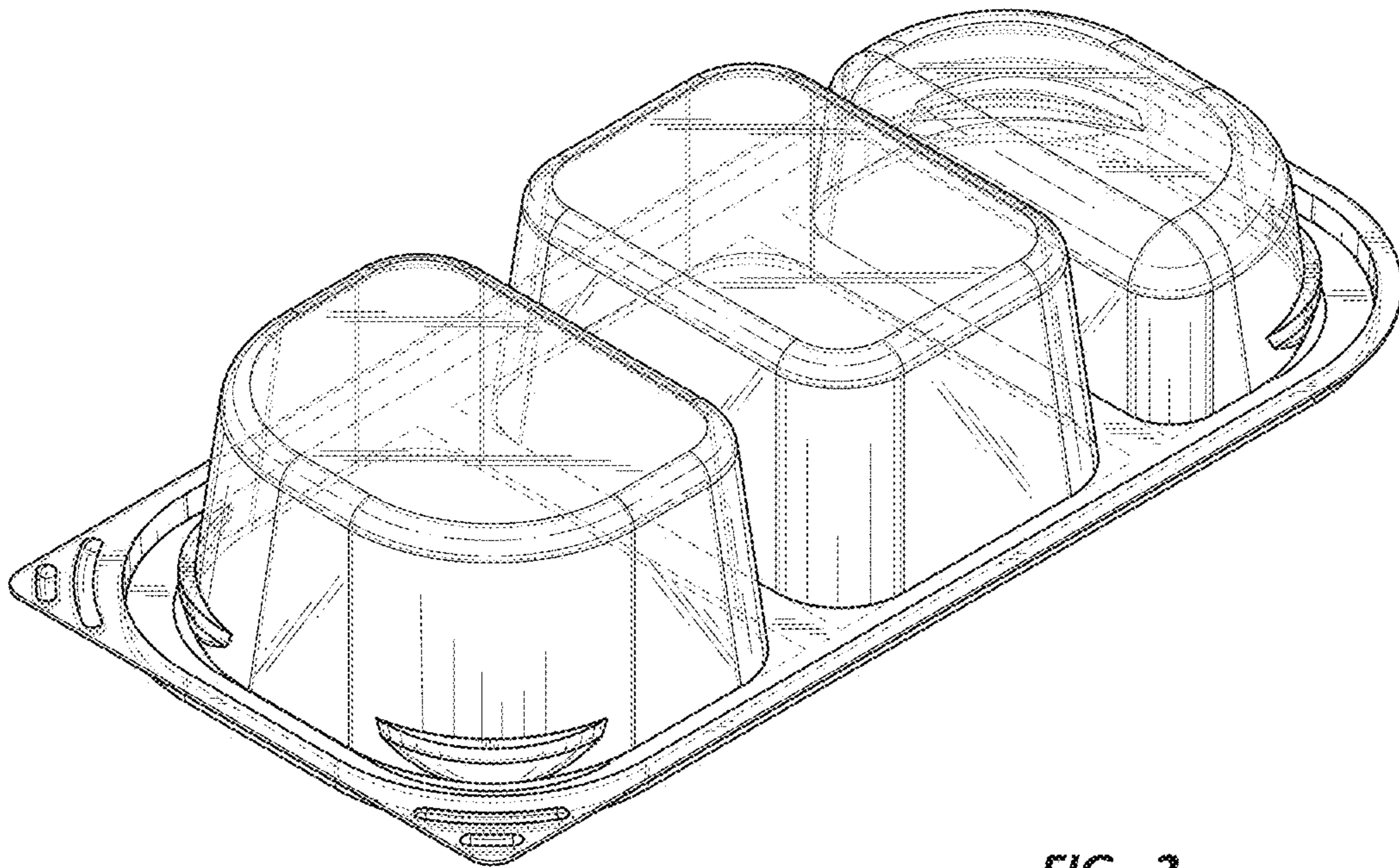


FIG. 2

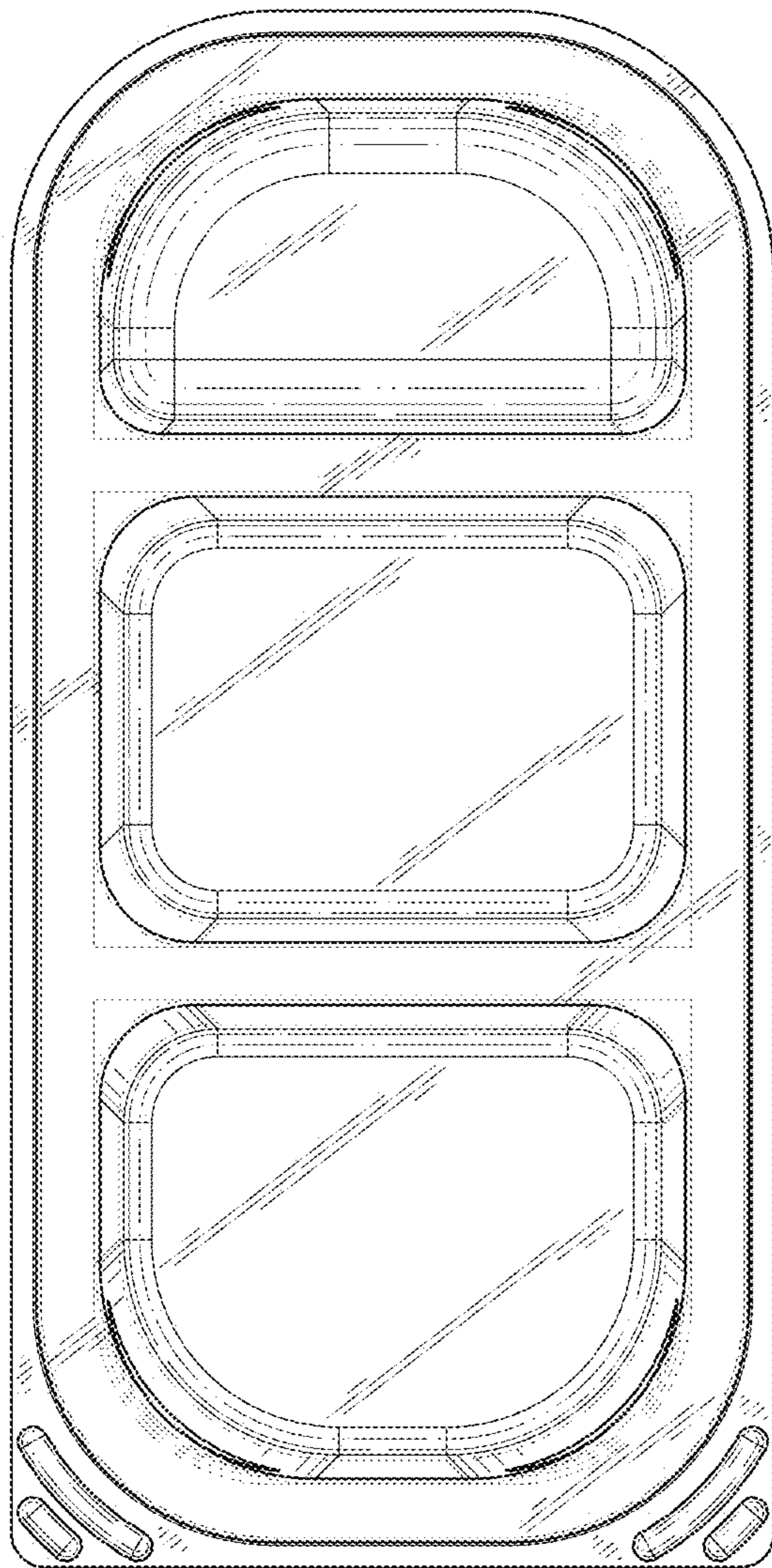


FIG. 3

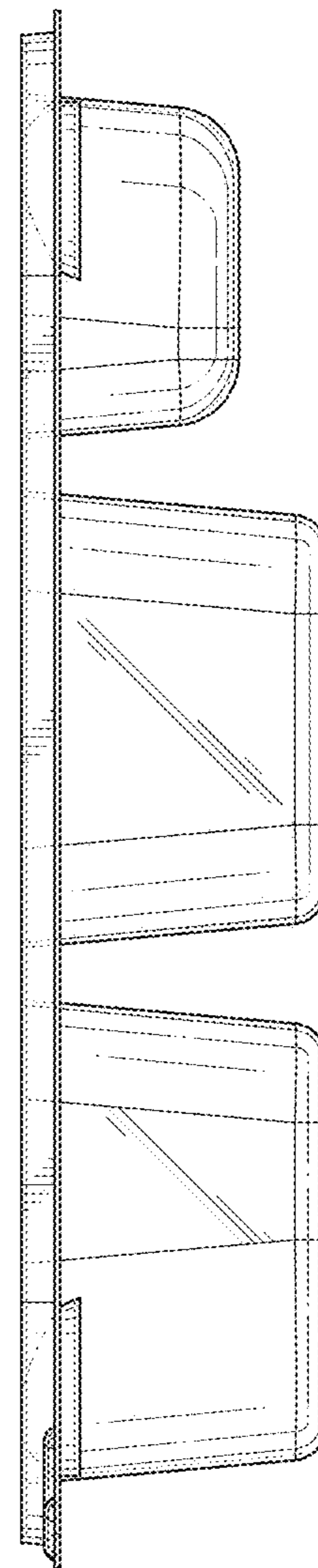


FIG. 4

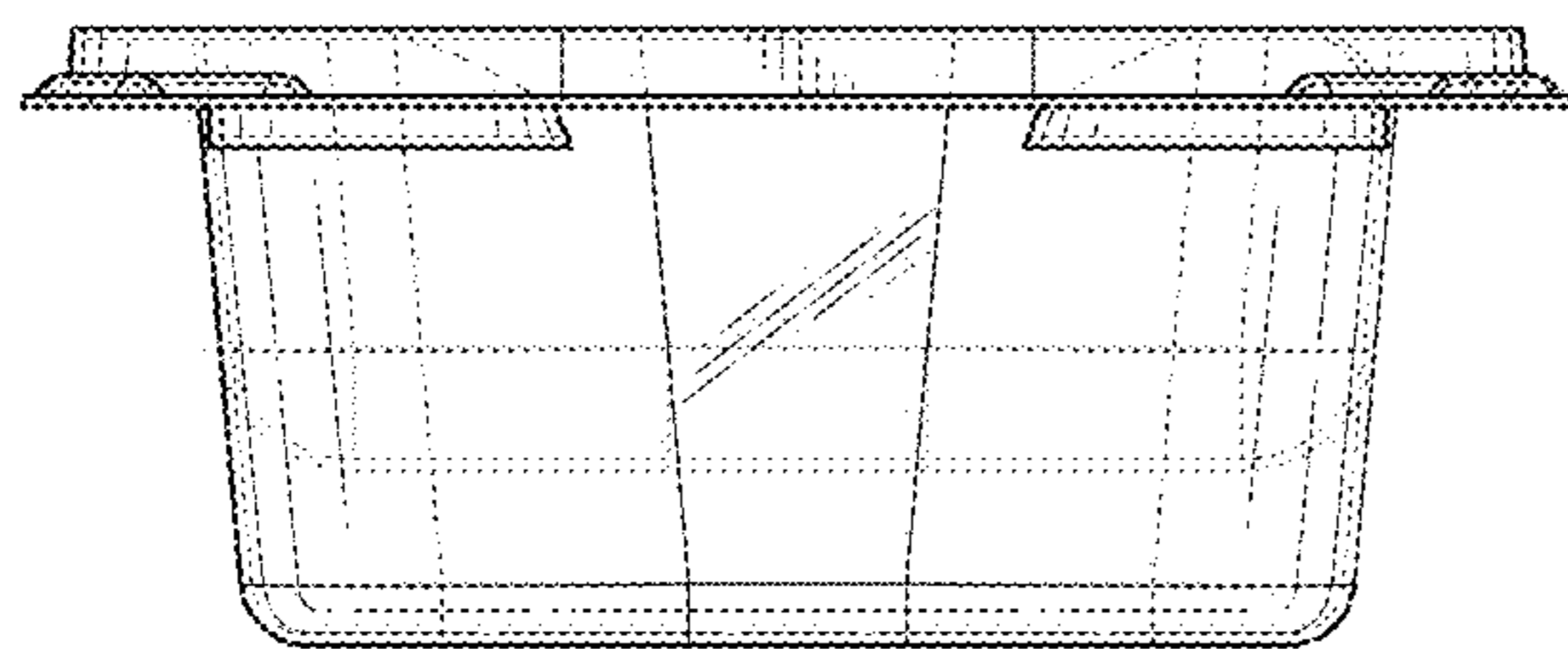


FIG. 5

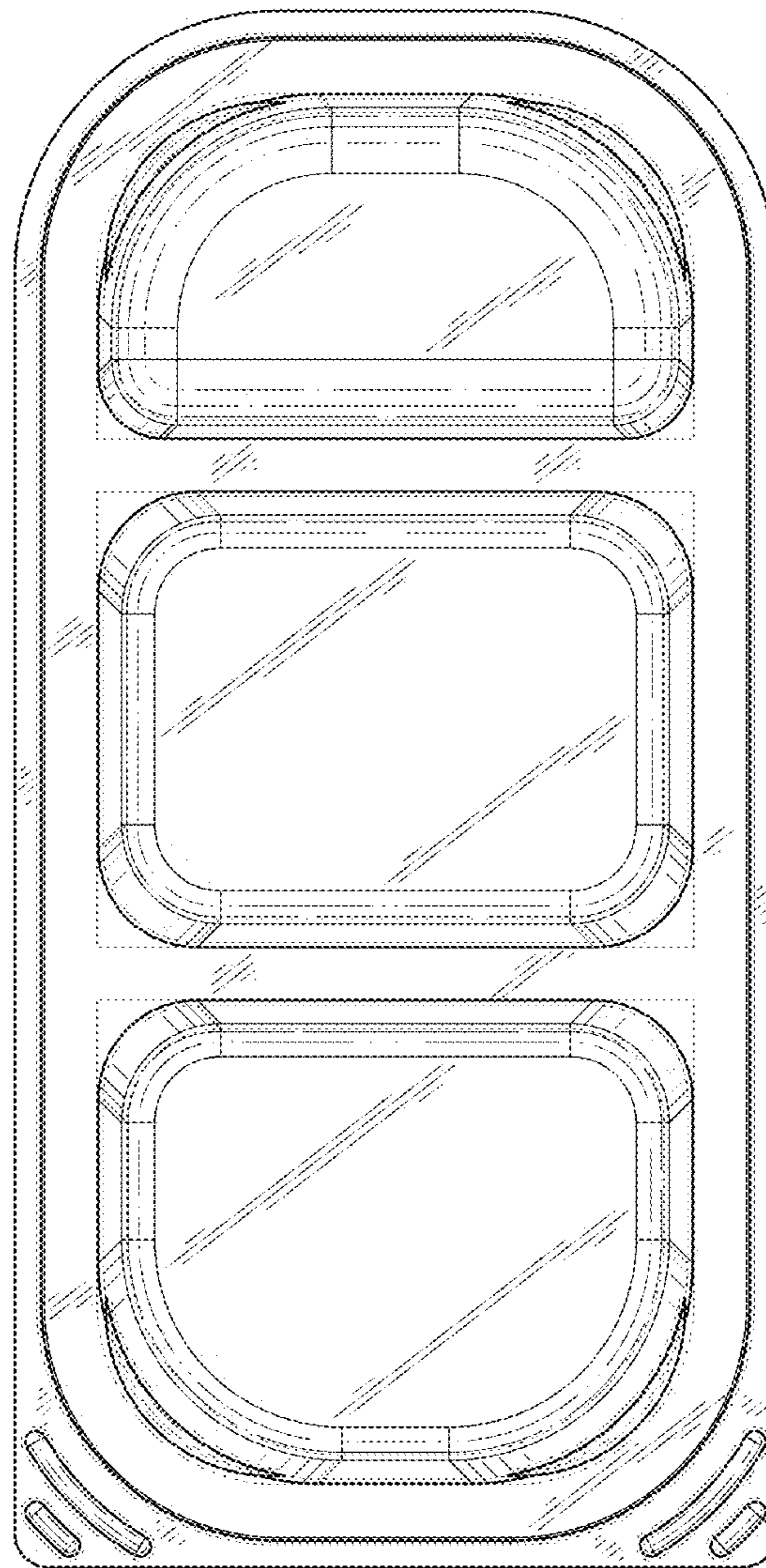


FIG. 6

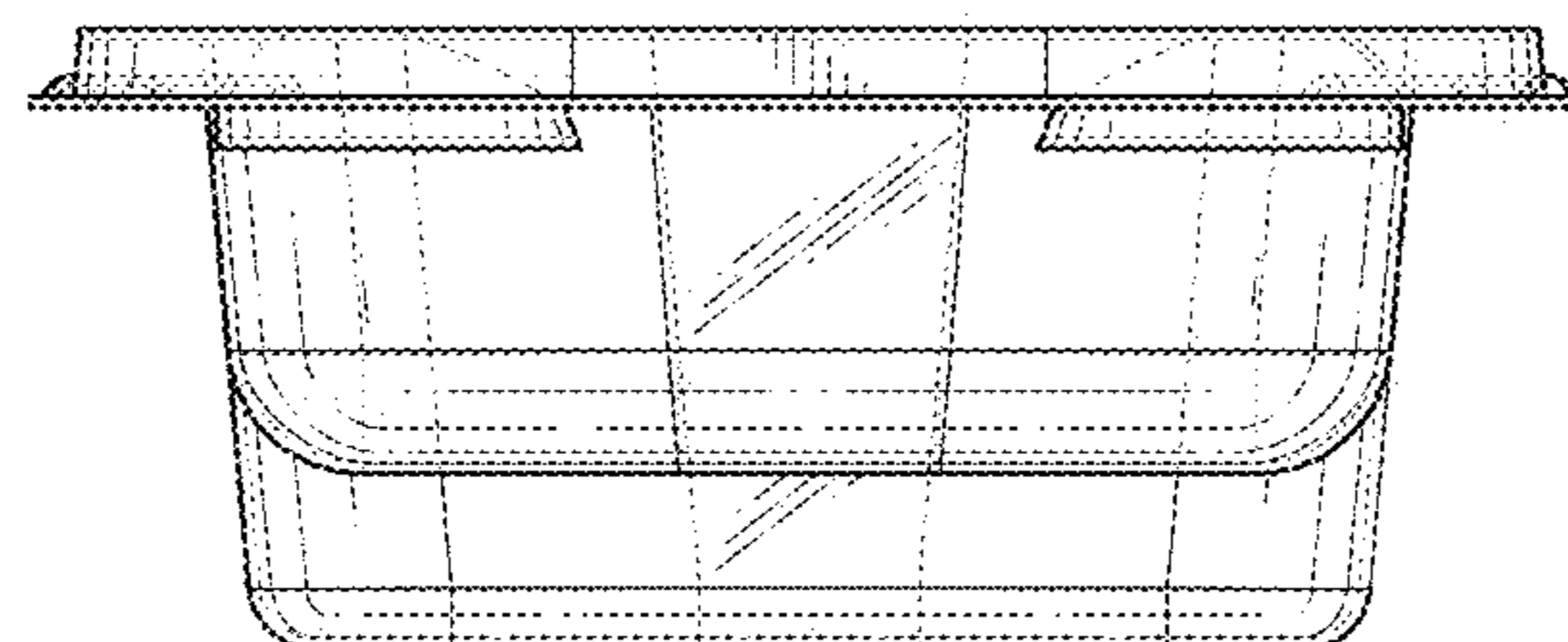


FIG. 7