

US00D892632S

(12) **United States Design Patent** (10) **Patent No.:** **US D892,632 S**
Bogdziewicz (45) **Date of Patent:** **** Aug. 11, 2020**

(54) **PACKAGE WITH TRAY**

(71) Applicant: **Altria Client Services LLC**,
Richmond, VA (US)

(72) Inventor: **William J. Bogdziewicz**, Richmond,
VA (US)

(73) Assignee: **Altria Client Services LLC**,
Richmond, VA (US)

(**) Term: **15 Years**

(21) Appl. No.: **29/651,208**

(22) Filed: **Feb. 16, 2018**

(51) **LOC (12) Cl.** **09-03**

(52) **U.S. Cl.**
USPC **D9/737**

(58) **Field of Classification Search**
USPC D9/414, 415, 418, 424, 425, 430, 432,
D9/433, 652, 715, 722, 732, 735, 737,
(Continued)

(56) **References Cited**

U.S. PATENT DOCUMENTS

2,918,379 A 12/1959 Lurie
3,184,047 A 5/1965 Gilman et al.
(Continued)

FOREIGN PATENT DOCUMENTS

JP 2013230847 A 11/2013

OTHER PUBLICATIONS

“Environmental Electronic Inner Packaging”, “https://www.alibaba.com/product-detail/Environmental-Electronic-Inner-Packaging_189140” (Accessed Jan. 1, 2018).

Primary Examiner — W. A. Teddy Falloway
(74) *Attorney, Agent, or Firm* — Harness, Dickey &
Pierce, P.L.C.

(57) **CLAIM**

The ornamental design for a package with tray, as shown and described.

DESCRIPTION

FIG. 1 is a top, rear, left-side perspective view of a package with tray showing our design;
FIG. 2 is a bottom, rear, right-side perspective view thereof;
FIG. 3 is a top view thereof;
FIG. 4 is a bottom view thereof;
FIG. 5 is a left-side view thereof;
FIG. 6 is a right-side view thereof;
FIG. 7 is a rear view thereof;
FIG. 8 is a front view thereof;
FIG. 9 is a top, rear, left-side perspective view of the package of the package with tray, shown separately for completeness of illustration and in an open configuration;
FIG. 10 is a top, rear, right-side perspective view thereof;
FIG. 11 is a bottom, rear, right-side perspective view thereof;
FIG. 12 is a bottom, rear, left-side perspective view thereof;
FIG. 13 is a top, front, left-side perspective view thereof;
FIG. 14 is a top, front, right-side perspective view thereof;
FIG. 15 is a bottom, front, right-side perspective view thereof;
FIG. 16 is a bottom, front, left-side perspective view thereof;
FIG. 17 is a top perspective view thereof;
FIG. 18 is a top view thereof;
FIG. 19 is a bottom view thereof;
FIG. 20 is a right-side view thereof;
FIG. 21 is a left-side view thereof;
FIG. 22 is a rear view thereof;
FIG. 23 is a front view thereof;
FIG. 24 is a top, rear, left-side perspective view of the package with tray in FIG. 1, shown in an open configuration;
FIG. 25 is a top, rear, right-side perspective view thereof;
FIG. 26 is a top perspective view thereof;
FIG. 27 is a top view thereof;
FIG. 28 is a top, front, left-side perspective view thereof;
FIG. 29 is a top, front, right-side perspective view thereof;
FIG. 30 is a top, rear, left-side perspective view thereof, shown with the tray removed from the package;
FIG. 31 is a top, rear, right-side perspective view thereof;

(Continued)

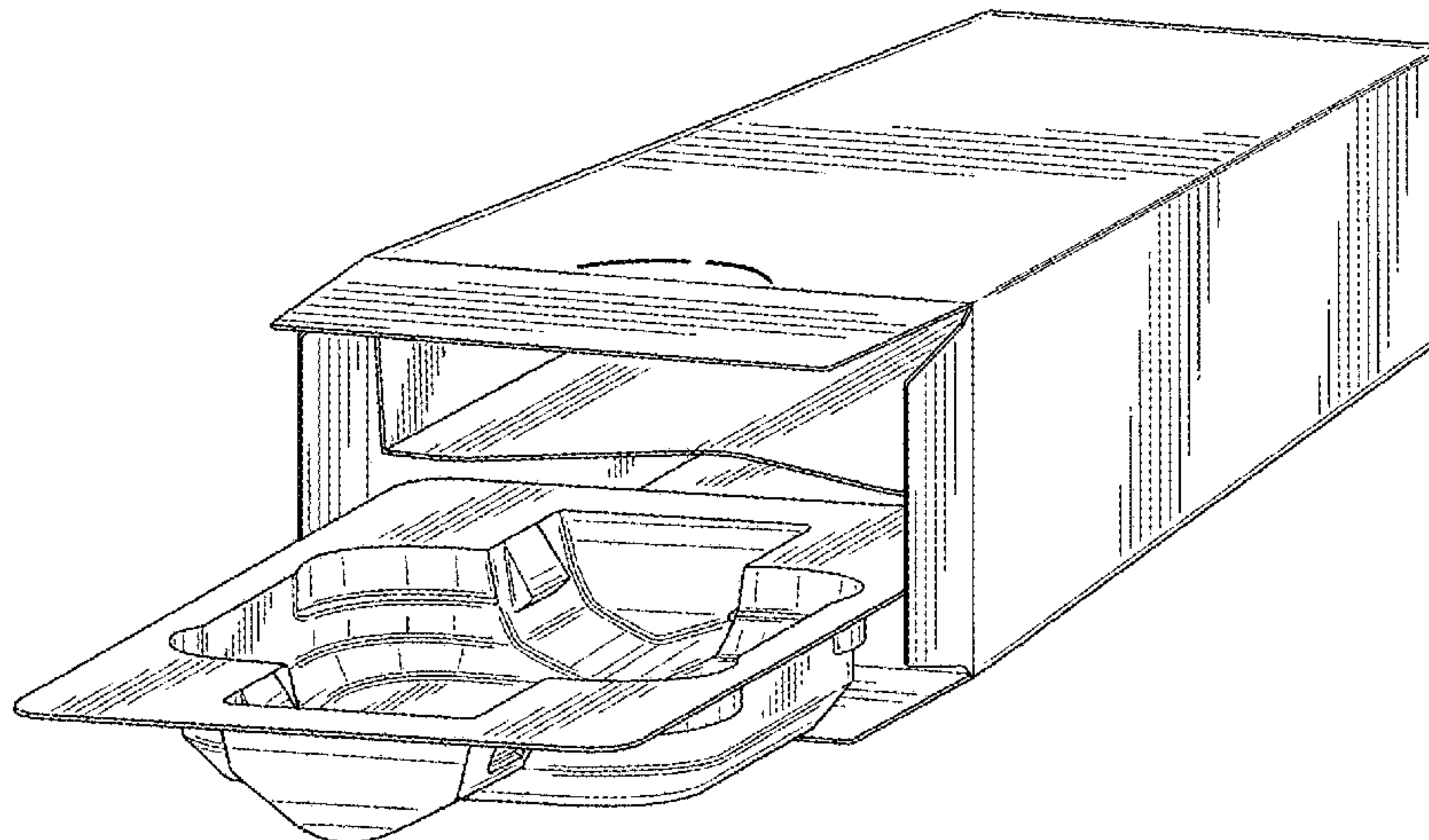


FIG. 32 is a bottom, rear, right-side perspective view thereof;
 FIG. 33 is a bottom, rear, left-side perspective view thereof;
 FIG. 34 is a top, front, left-side perspective view thereof;
 FIG. 35 is a top, front, right-side perspective view thereof;
 FIG. 36 is a right-side view thereof;
 FIG. 37 is a left-side view thereof;
 FIG. 38 is a rear view thereof;
 FIG. 39 is a front view thereof;
 FIG. 40 is a top perspective view thereof;
 FIG. 41 is a top view thereof;
 FIG. 42 is a bottom view thereof;
 FIG. 43 is an upper, first end, right-side perspective view of the tray, shown separately for completeness of illustration;
 FIG. 44 is an upper, first end, left-side perspective view thereof;
 FIG. 45 is an upper, second end, left-side perspective view thereof;
 FIG. 46 is an upper, second end, right-side perspective view thereof;
 FIG. 47 is a lower, first end, right-side perspective view thereof;
 FIG. 48 is a lower, first end, left-side perspective view thereof;
 FIG. 49 is a lower, second end, left-side perspective view thereof;
 FIG. 50 is a lower, second end, right-side perspective view thereof;
 FIG. 51 is a first end view thereof;
 FIG. 52 is a second end view thereof;
 FIG. 53 is a right-side view thereof;
 FIG. 54 is a left-side view thereof;
 FIG. 55 is a lower view thereof; and,
 FIG. 56 is an upper view thereof.
 The dashed broken lines in the drawings represent environmental subject matter that forms no part of the claimed design.

1 Claim, 56 Drawing Sheets

(58) **Field of Classification Search**

USPC D9/748, 749; D7/357, 614, 701;
 D3/205, 269, 271.1, 313, 319; 206/228,
 206/581, 223, 352-359, 361, 369, 370,
 206/372, 208, 209; 220/23.88, 23.83,
 220/23.86, 500, 501, 377
 CPC .. B65D 73/0092; B65D 75/36; B65D 75/322;
 B65D 75/327; B65D 75/366; B65D
 75/367; A45D 27/225
 See application file for complete search history.

(56) **References Cited**

U.S. PATENT DOCUMENTS

3,524,415	A	8/1970	Heiman	
4,284,204	A *	8/1981	Carey, Jr.	B65D 11/12 206/1.5
5,031,774	A	7/1991	Morris et al.	
5,292,001	A	3/1994	Langenbeck et al.	
5,316,172	A	5/1994	Apps et al.	
D433,630	S *	11/2000	Lubineau-Bigot	D9/416
7,051,876	B2	5/2006	Grosskopf	
7,204,367	B2	4/2007	Bott et al.	
D596,485	S *	7/2009	Andre	D9/737
8,056,725	B2	11/2011	Doster	
D691,464	S *	10/2013	Lee	D9/415
D706,129	S *	6/2014	Boraczek	D9/418
D709,364	S *	7/2014	Olsson	D9/432
8,978,663	B2	3/2015	Newton	
D731,323	S *	6/2015	O'Neill	D9/721
9,155,336	B2	10/2015	Liu	
D823,134	S *	7/2018	O'Neill	D9/759
10,053,274	B1 *	8/2018	O'Neill	B65D 5/5233
D829,569	S *	10/2018	O'Neill	D9/759
D864,756	S *	10/2019	O'Neill	D9/737
D877,613	S *	3/2020	McFaul	D9/426
2008/0237084	A1	10/2008	Hopkins	
2010/0126901	A1	5/2010	Cerf	
2011/0284403	A1	11/2011	Hendryx et al.	
2017/0369219	A1	12/2017	Bailey et al.	

* cited by examiner

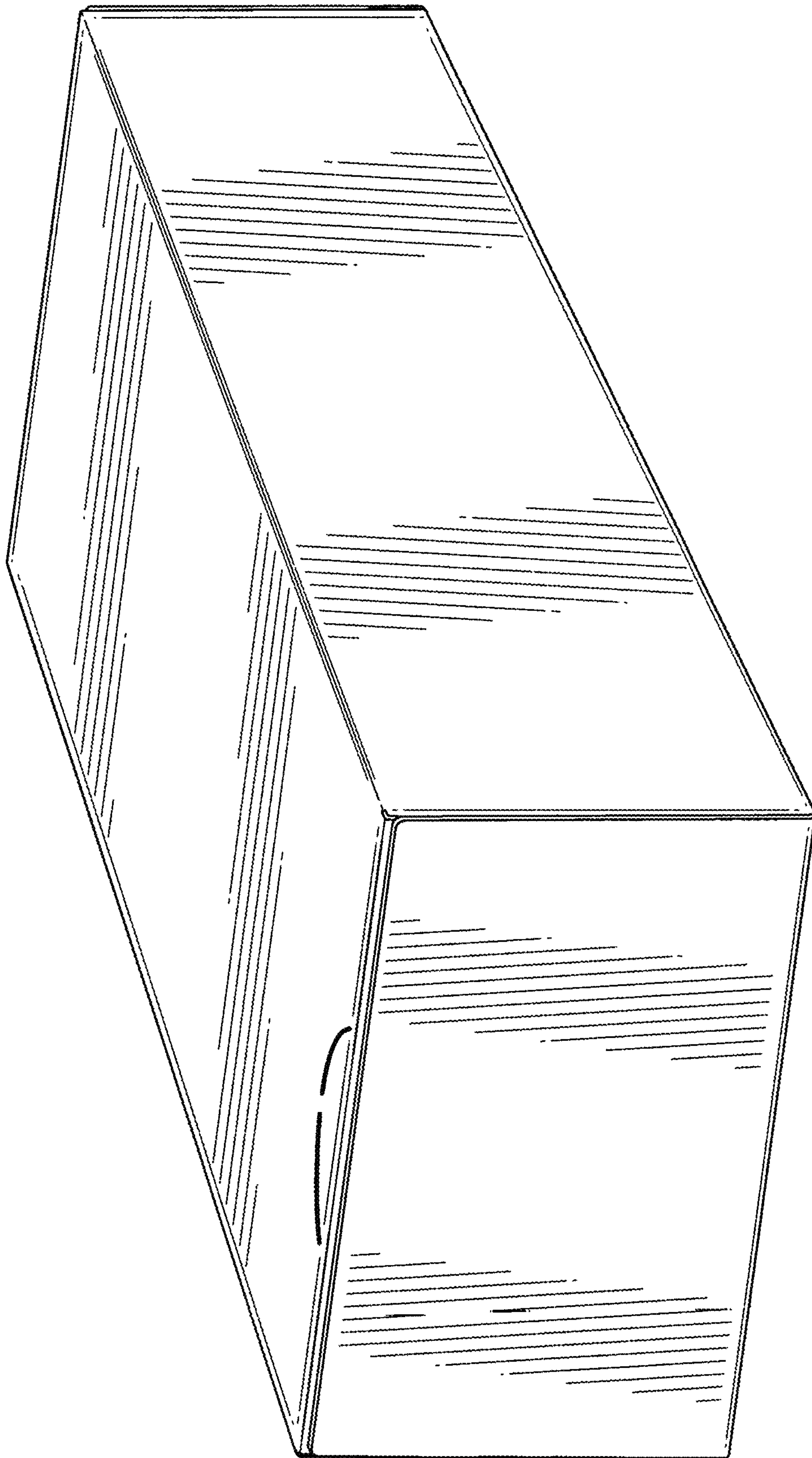


FIG. 1

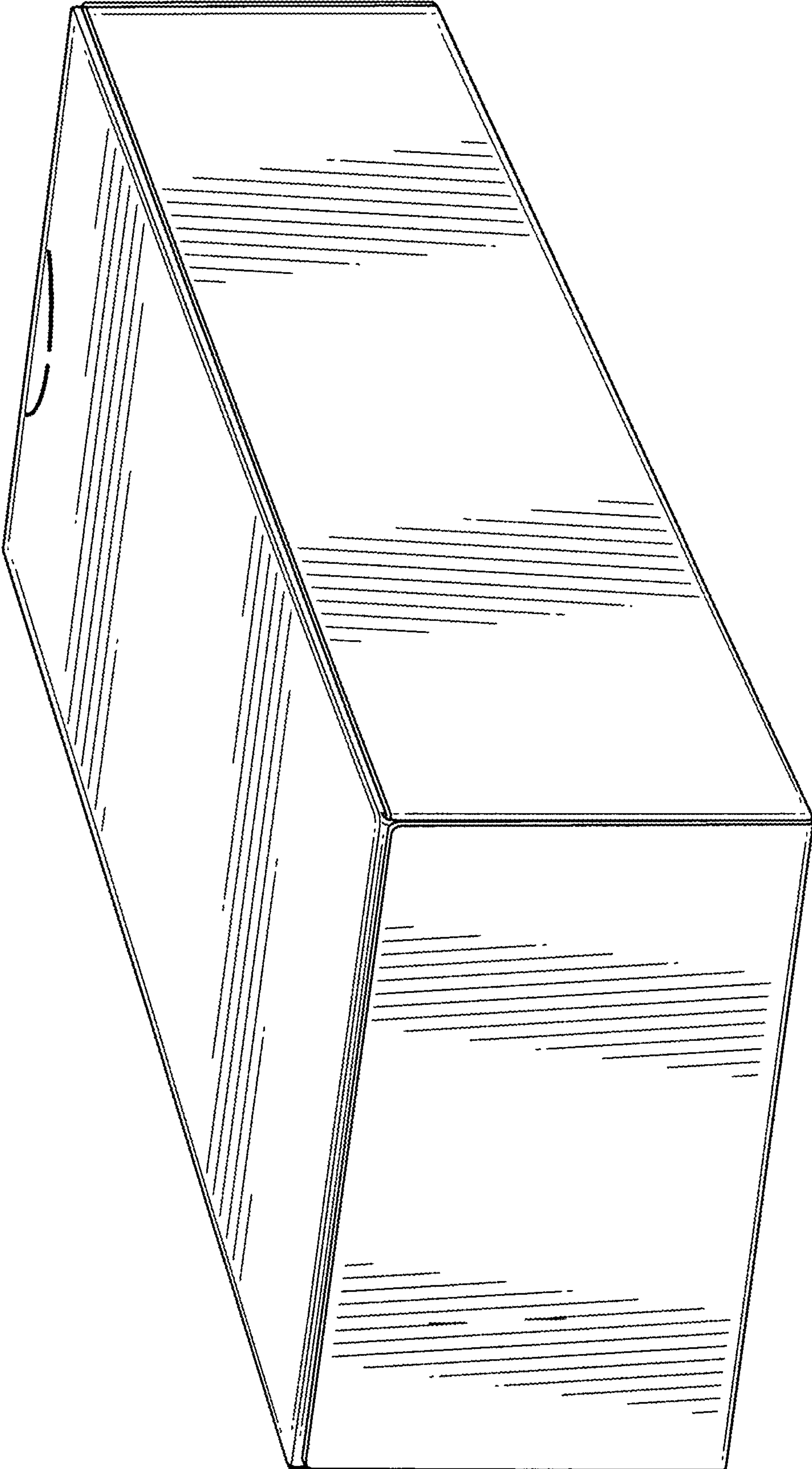


FIG. 2

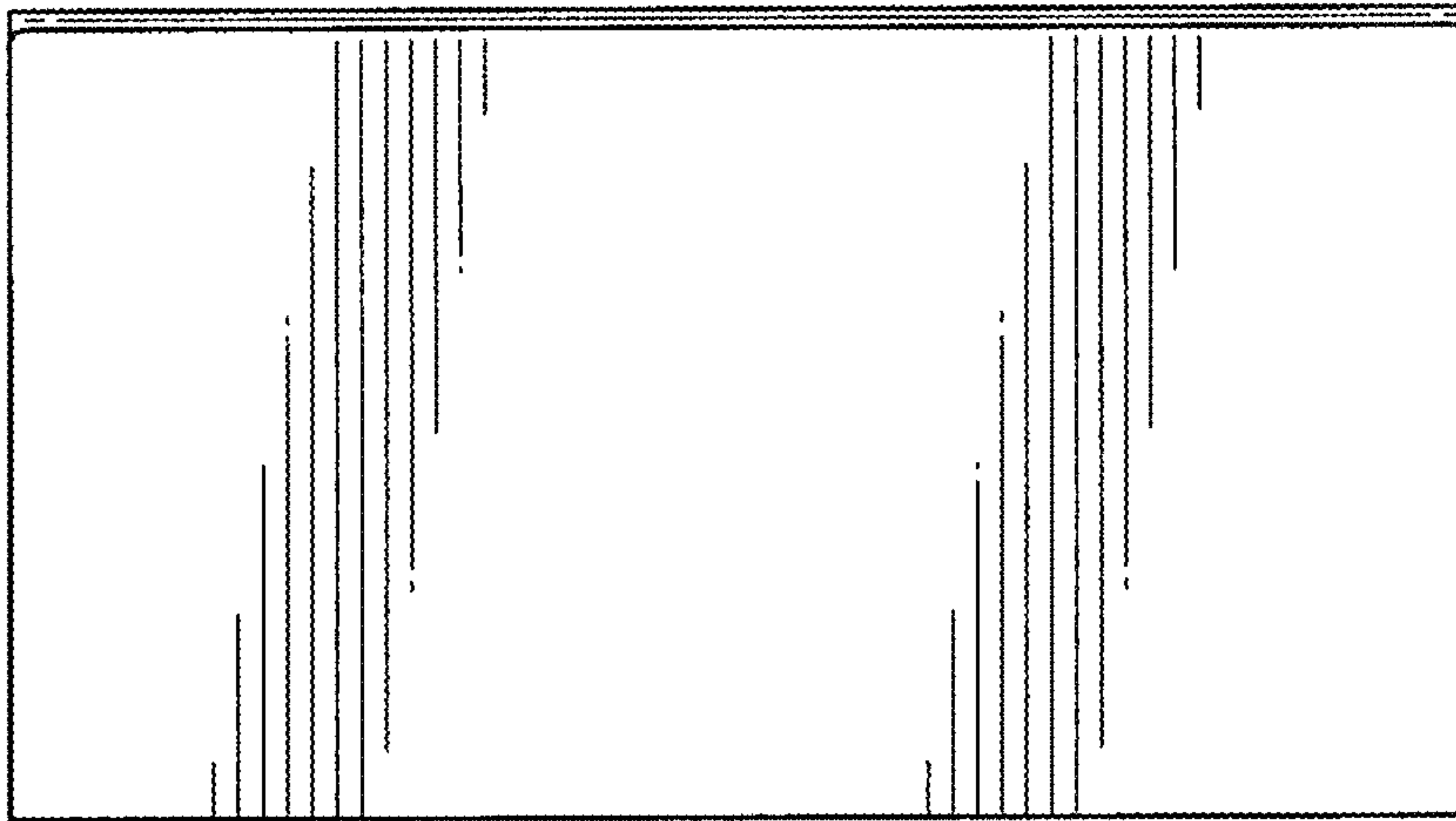


FIG. 3

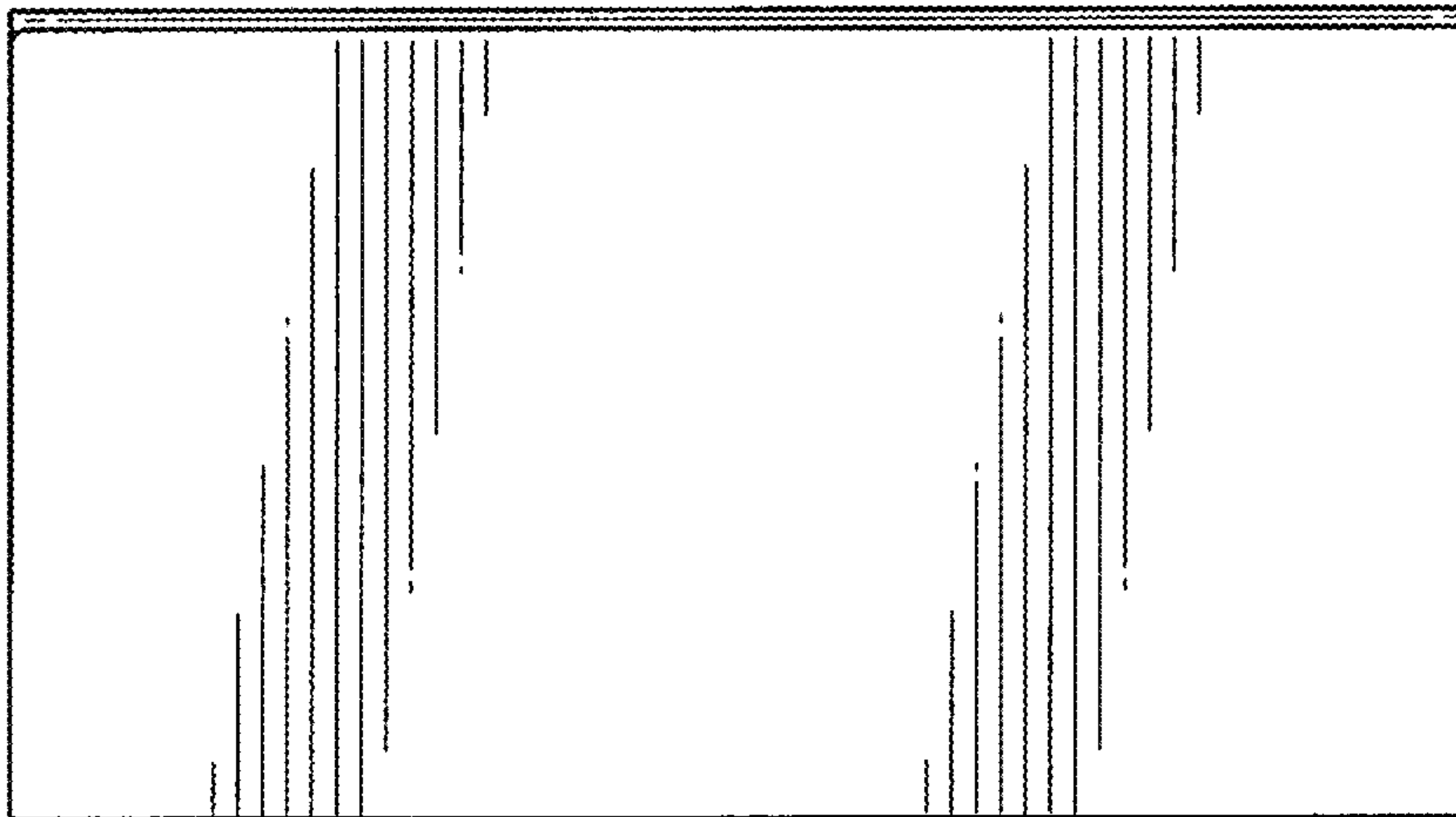


FIG. 4

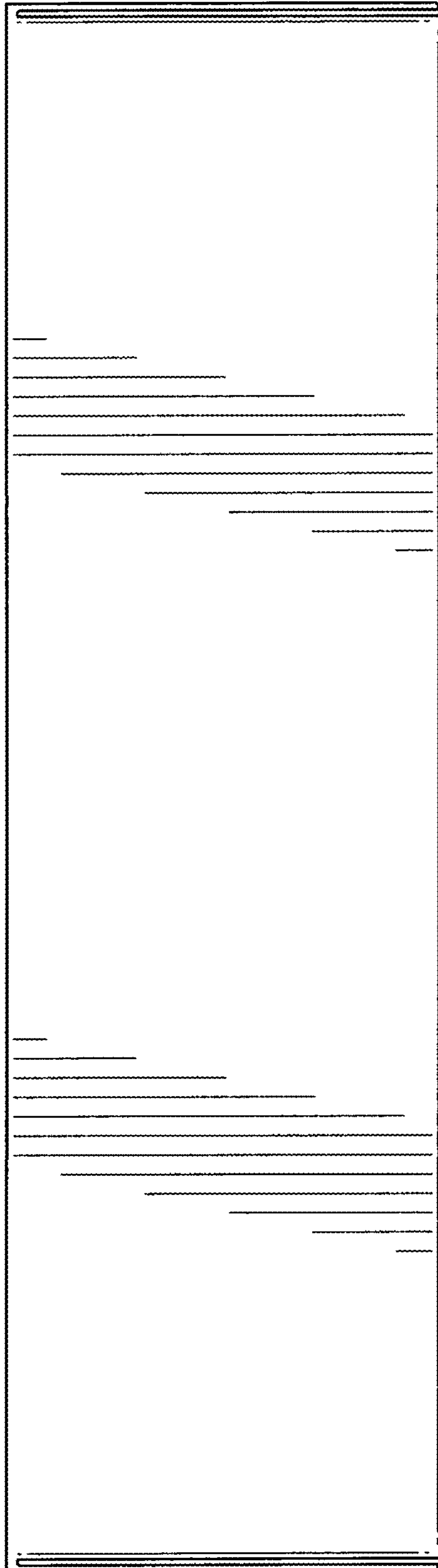


FIG. 5

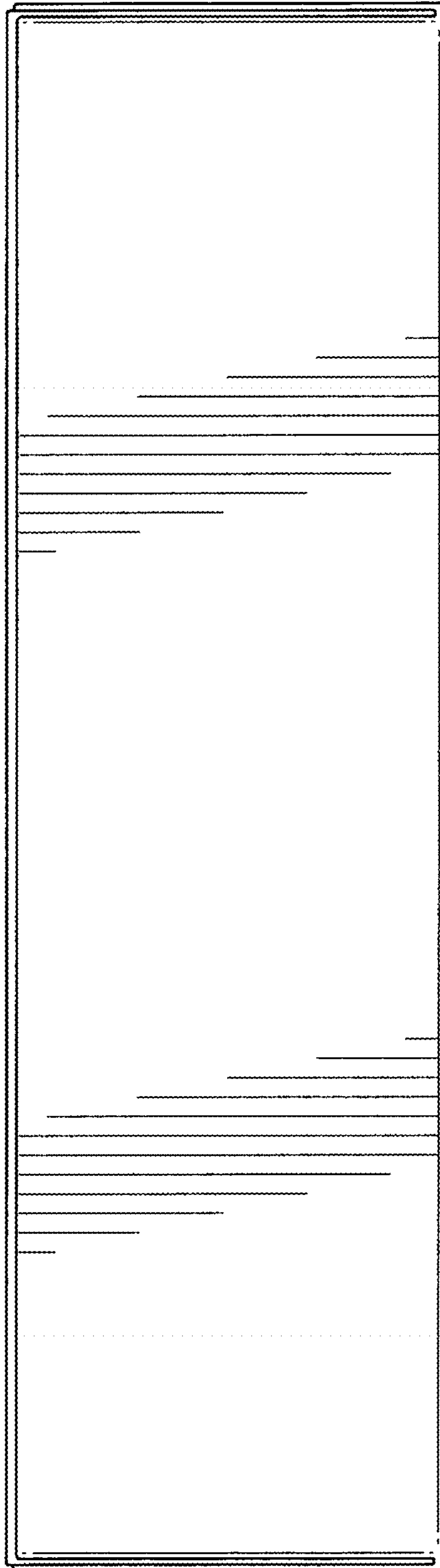


FIG. 6

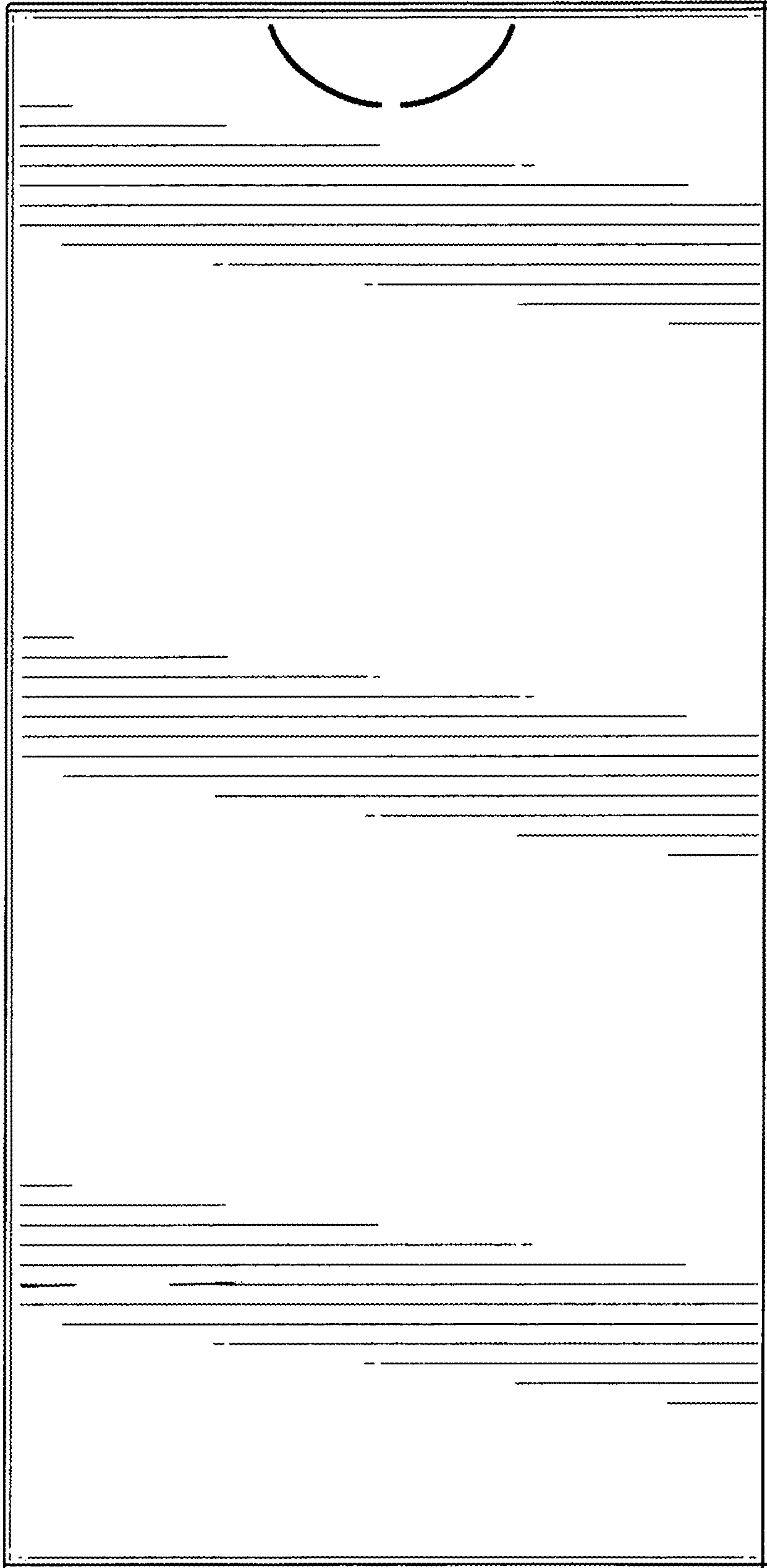


FIG. 7

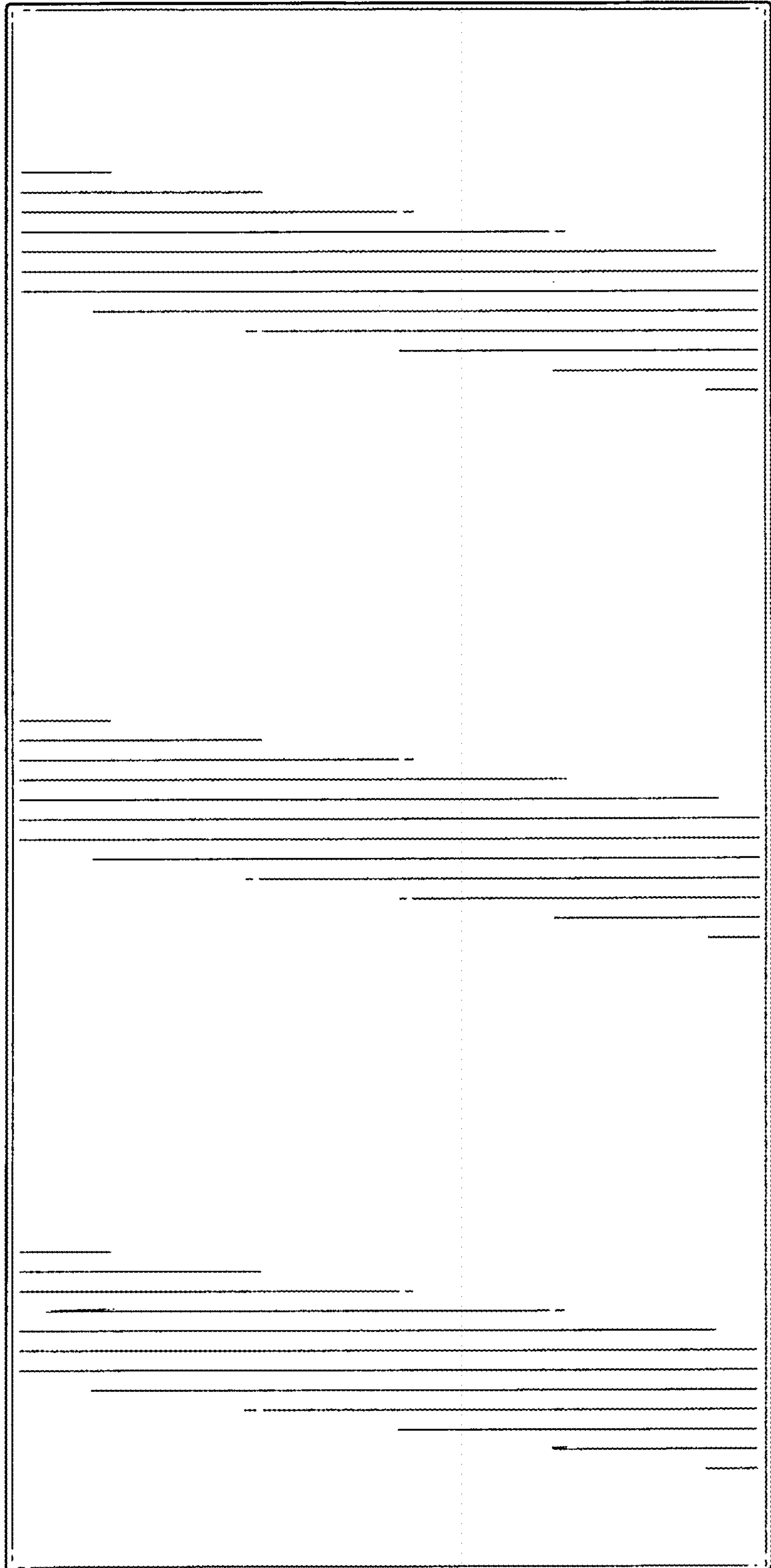


FIG. 8

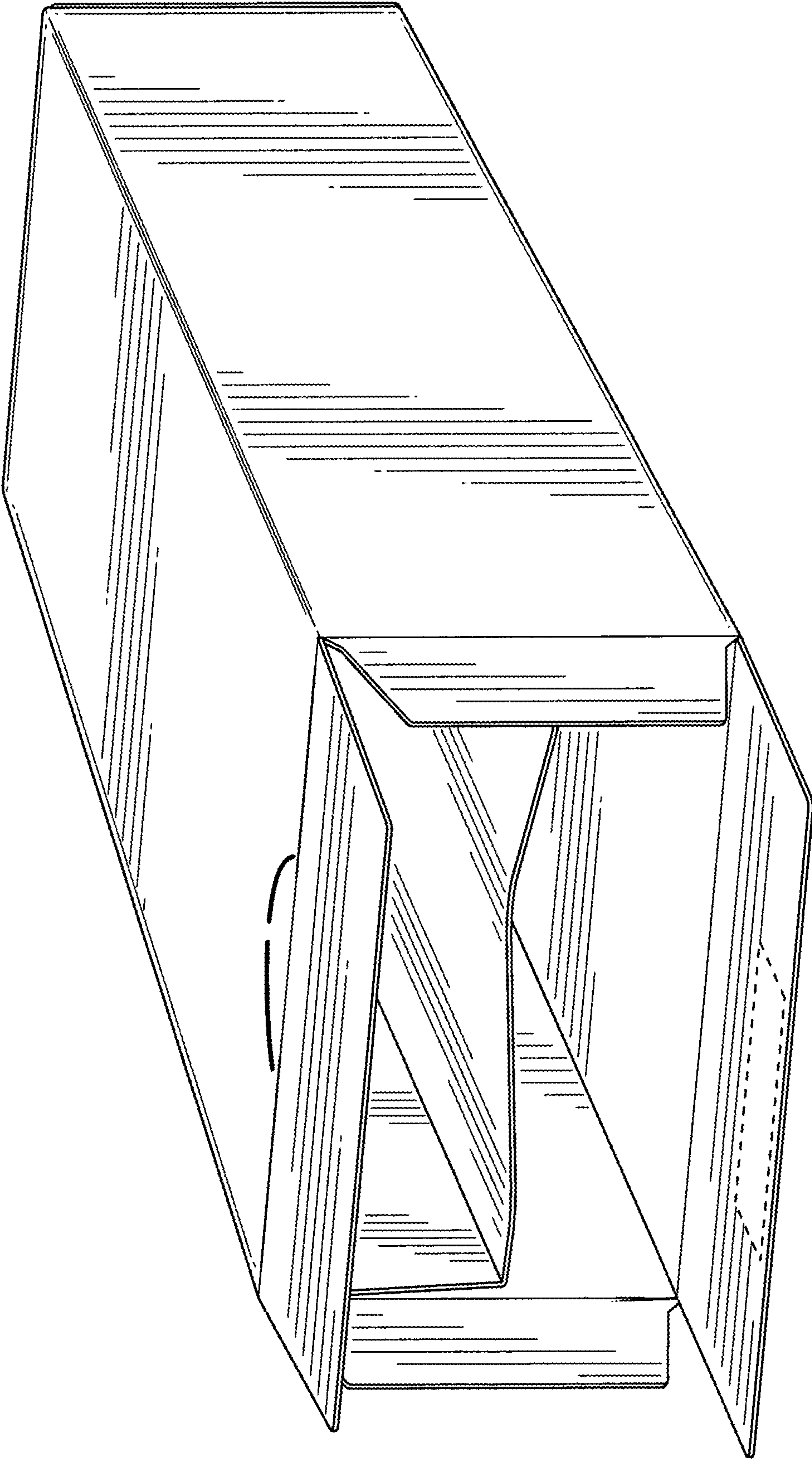


FIG. 9

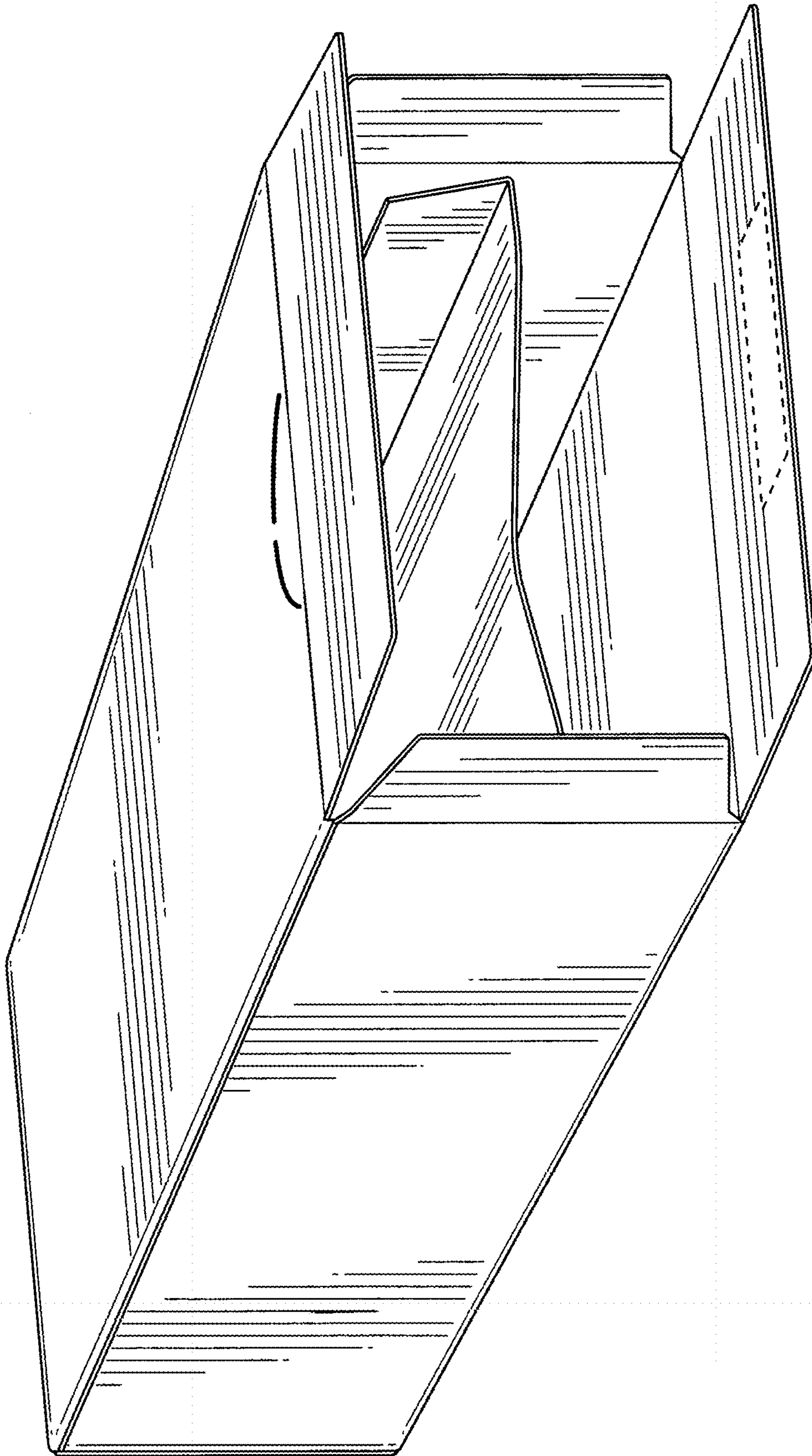


FIG. 10

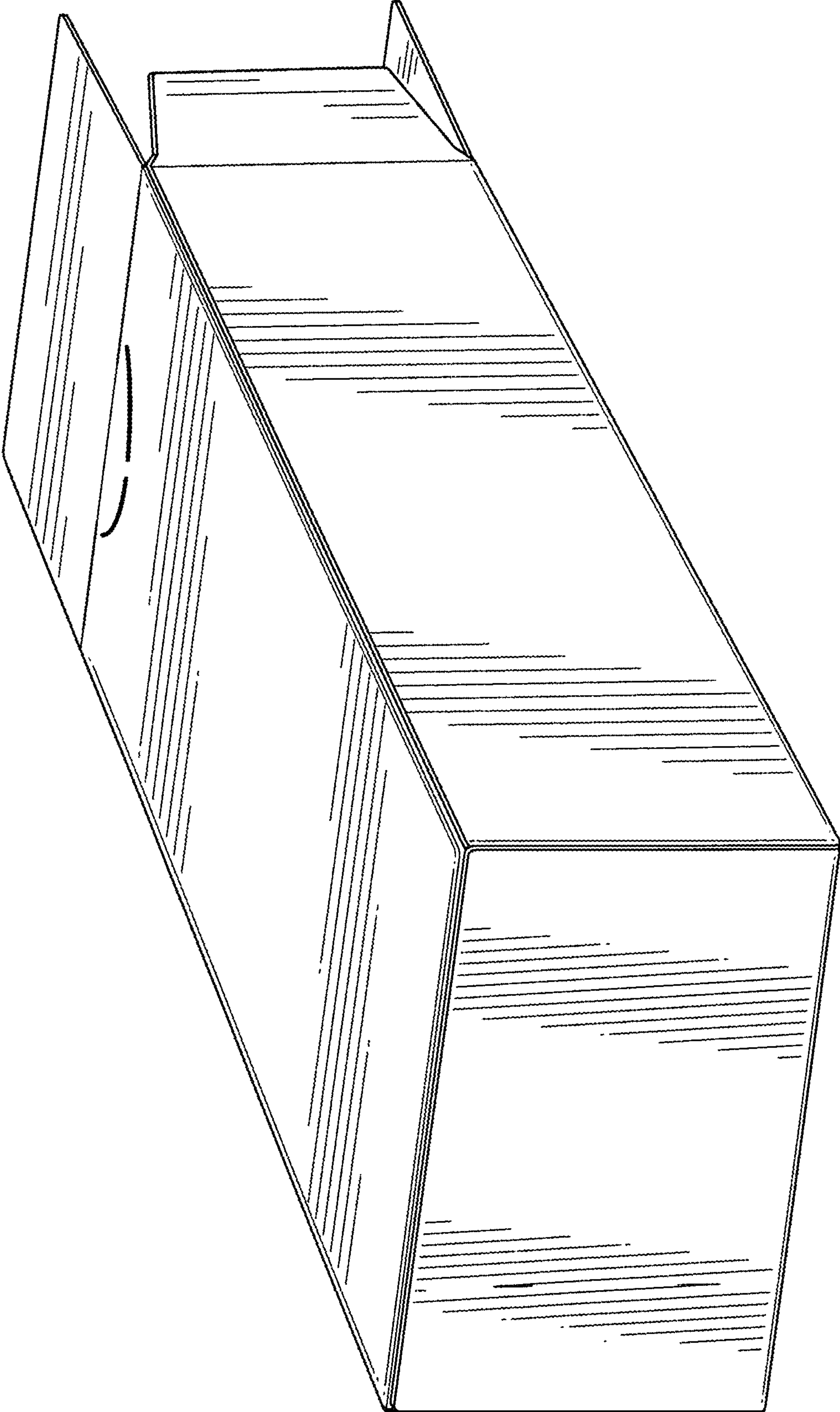


FIG. 11

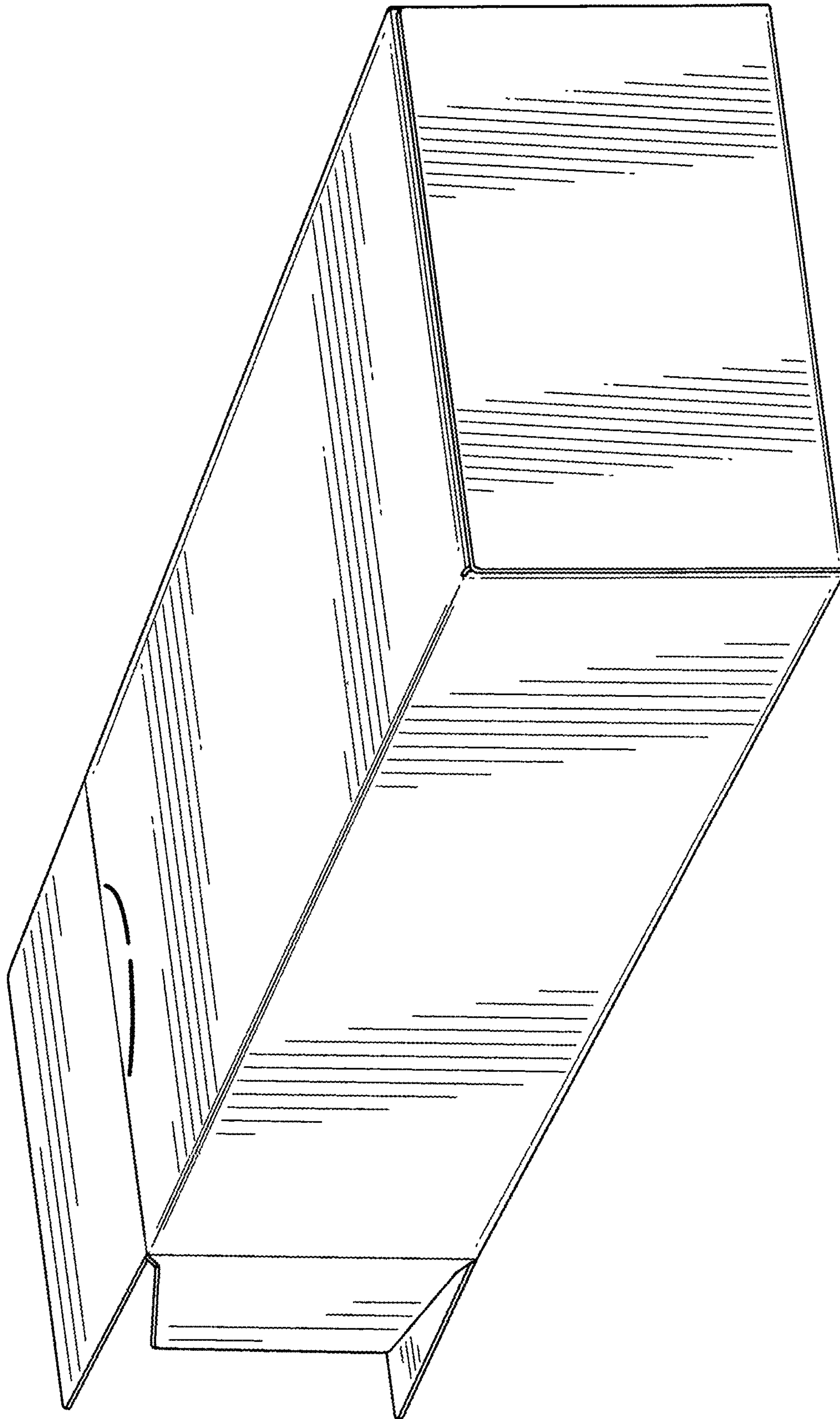


FIG. 12

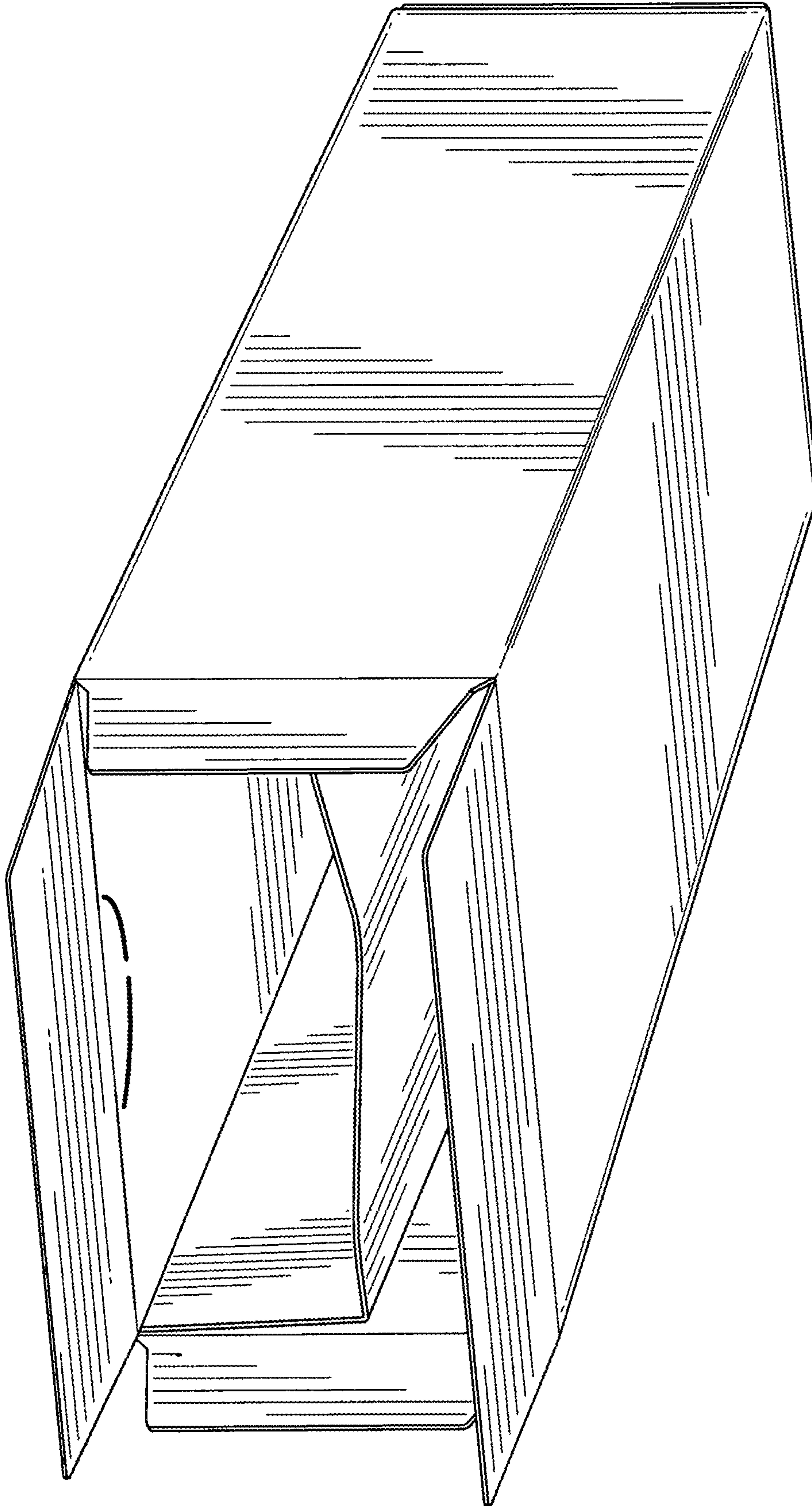


FIG. 13

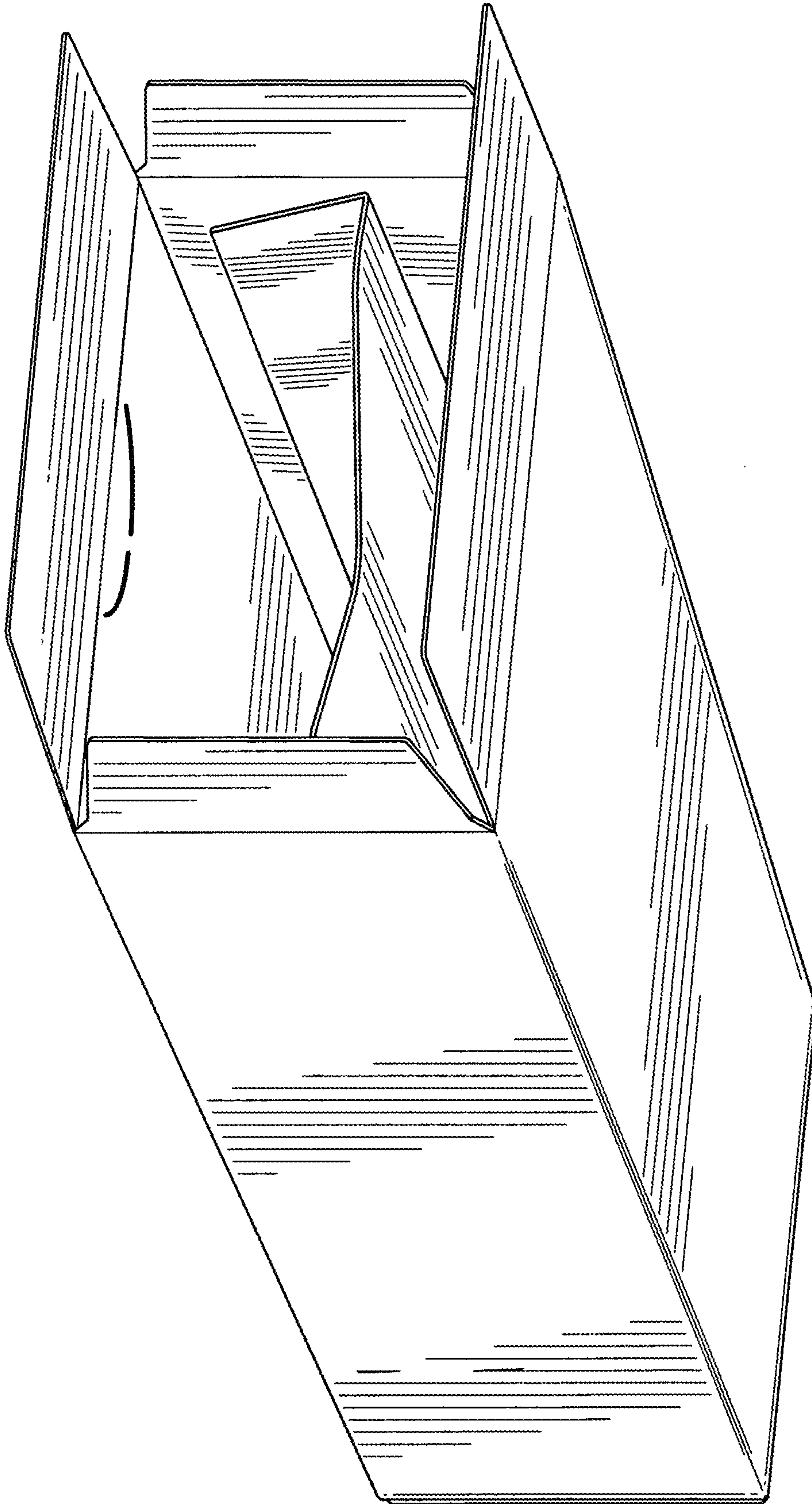


FIG. 14

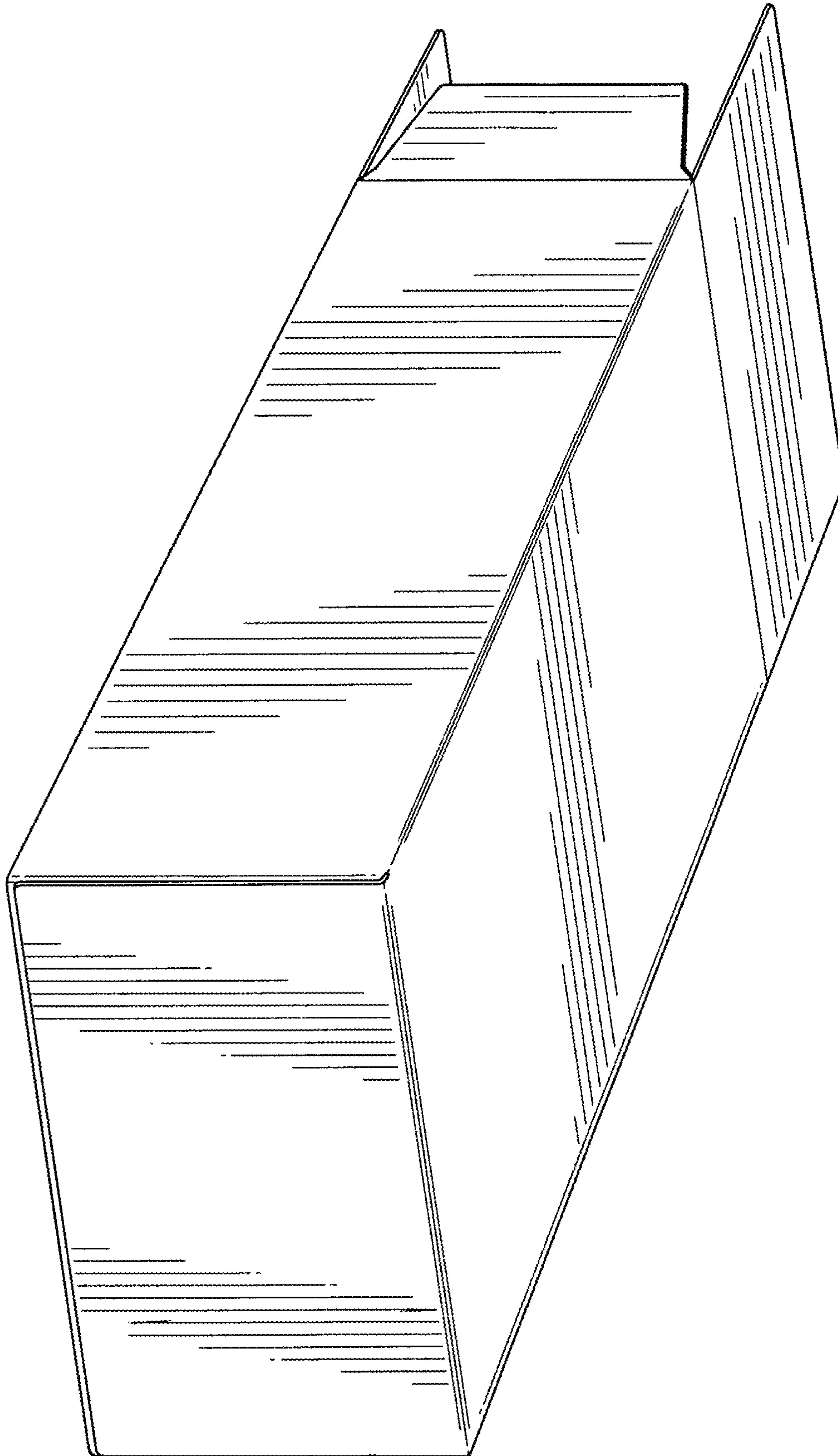


FIG. 15

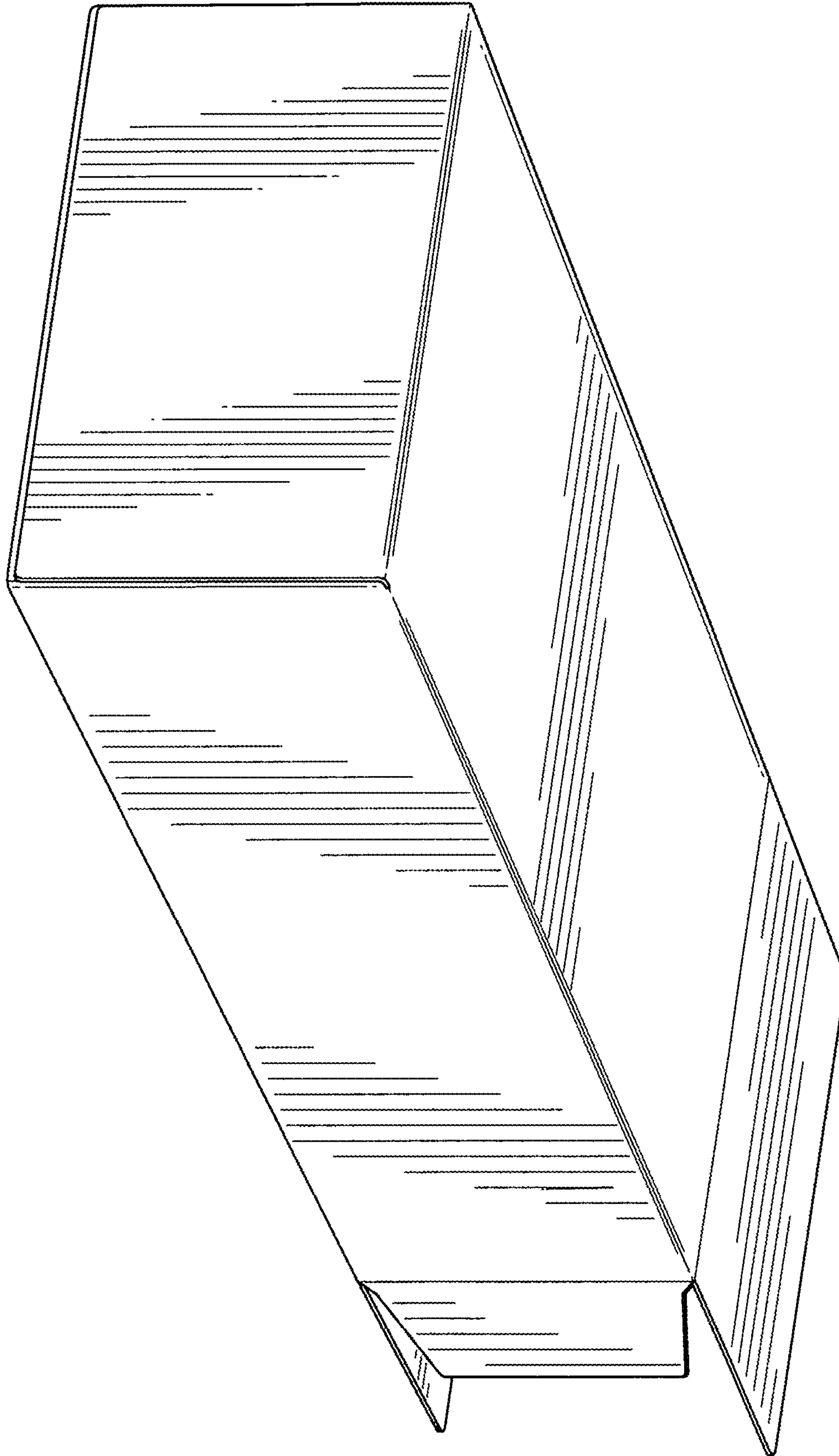


FIG. 16

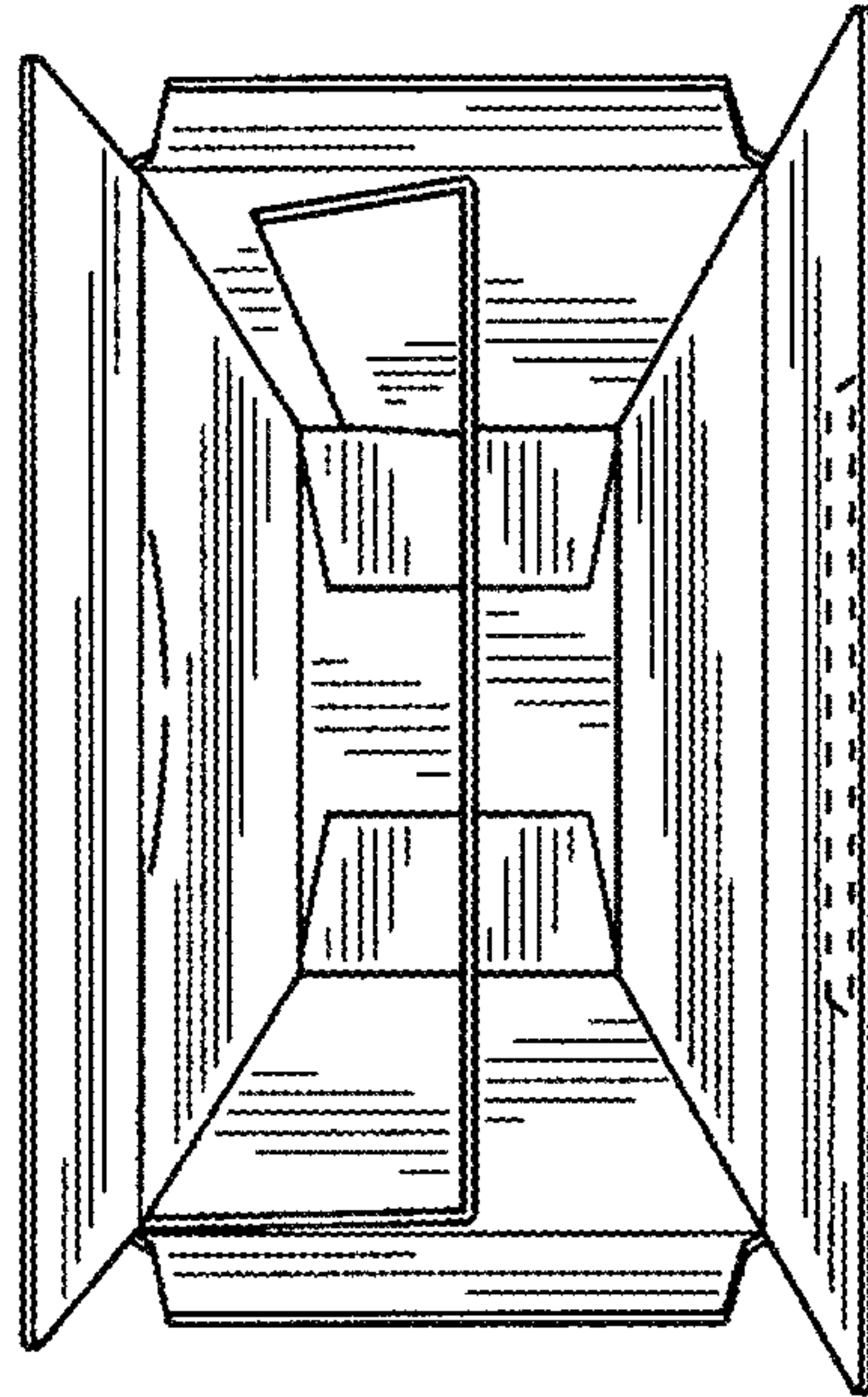


FIG. 17

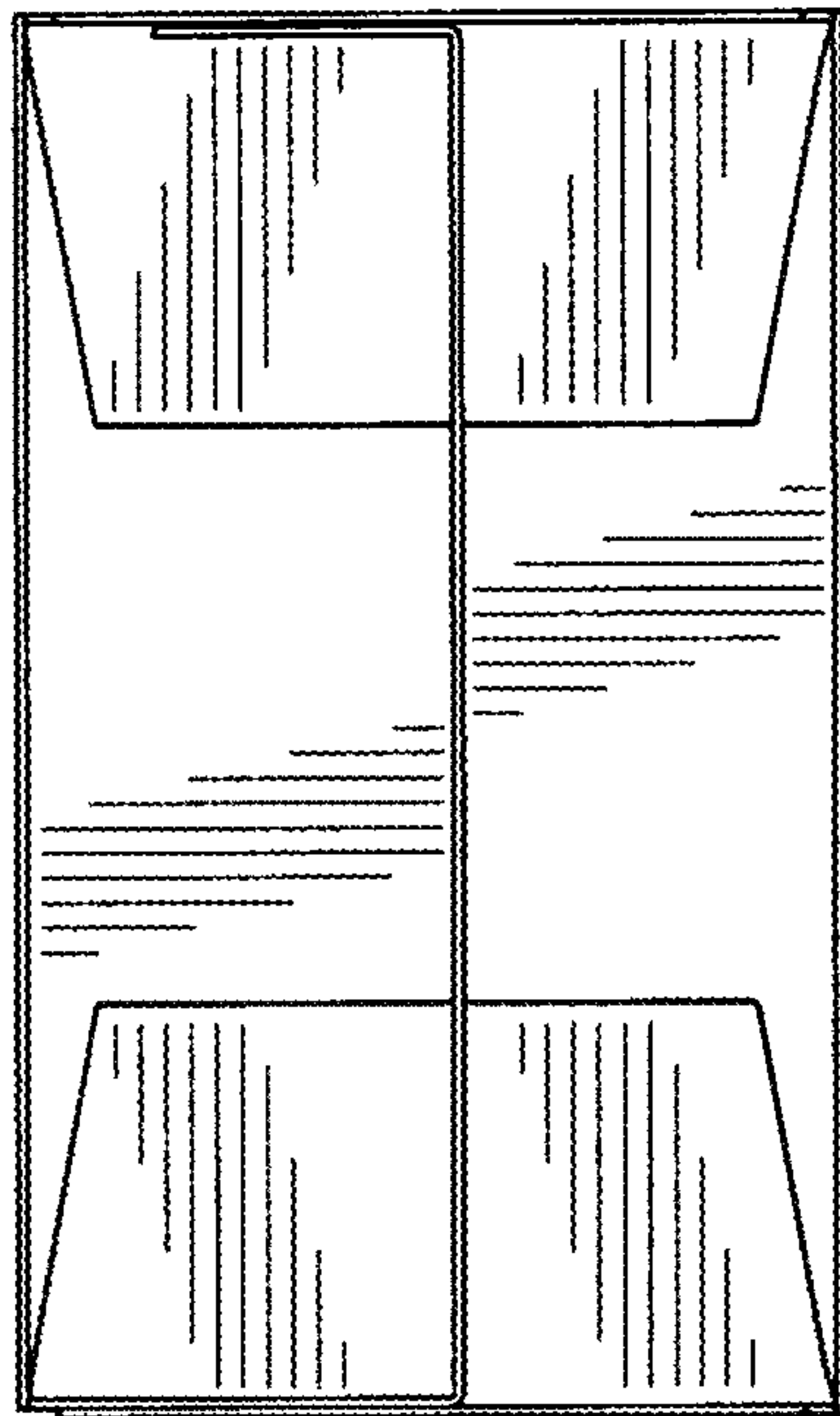


FIG. 18

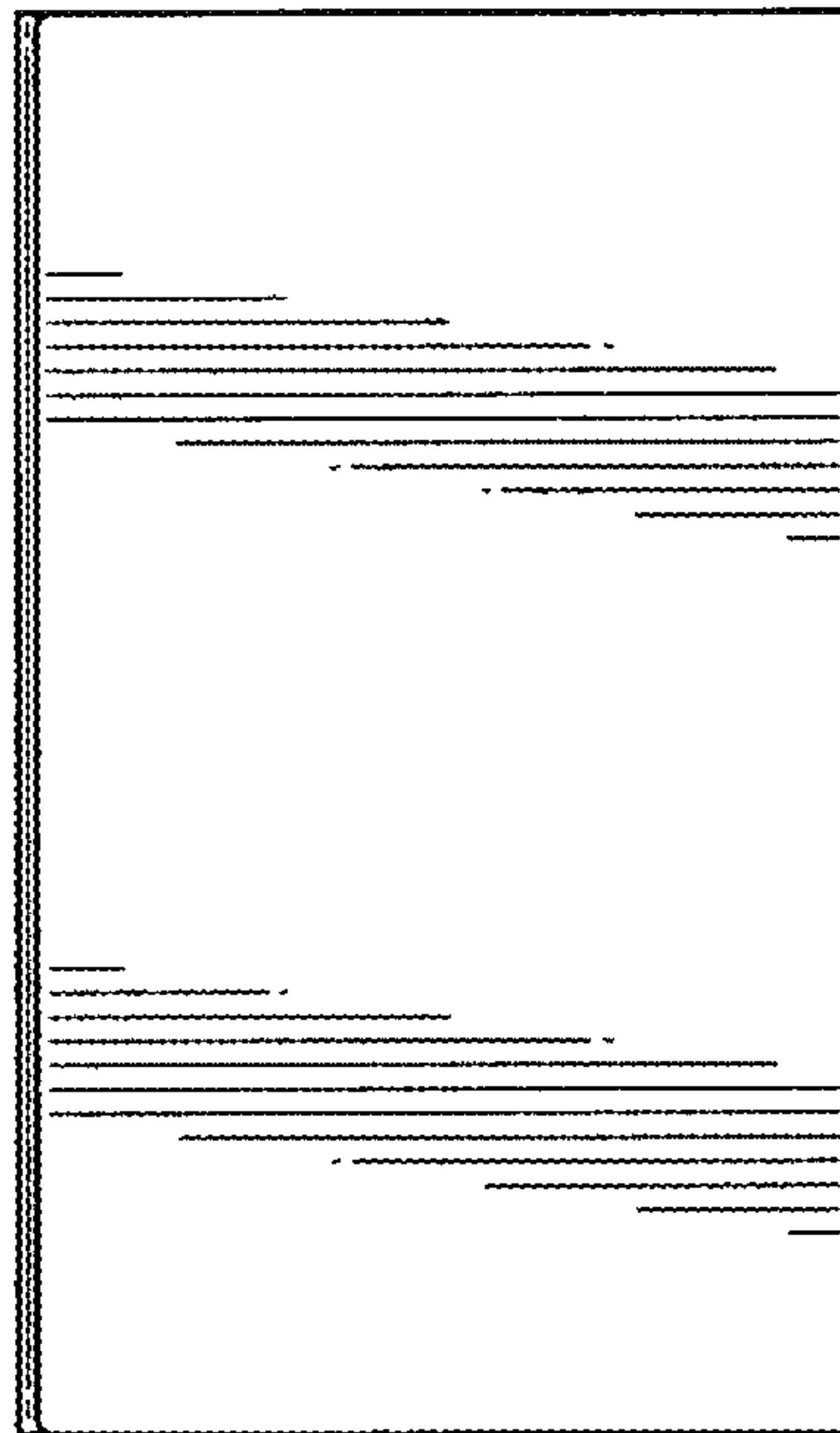


FIG. 19

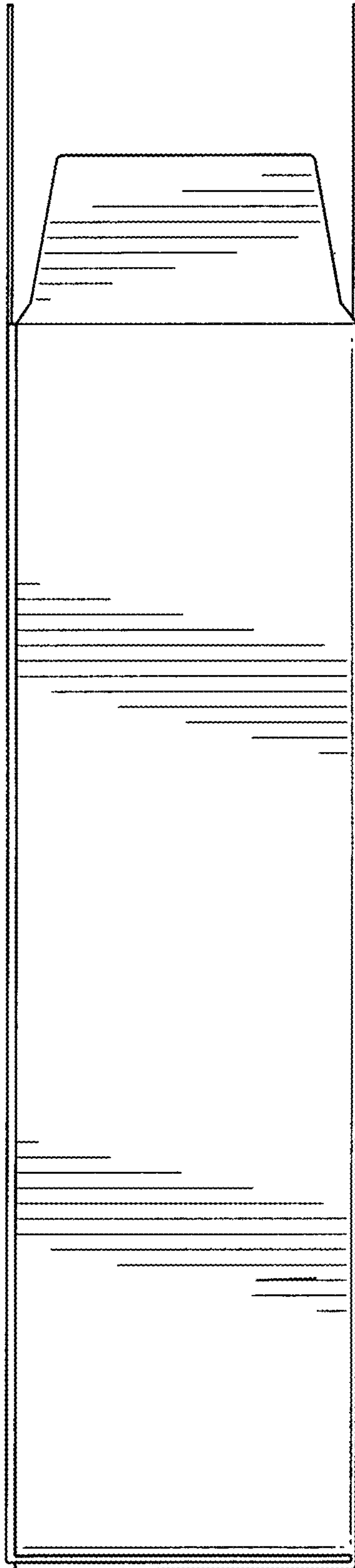


FIG. 20

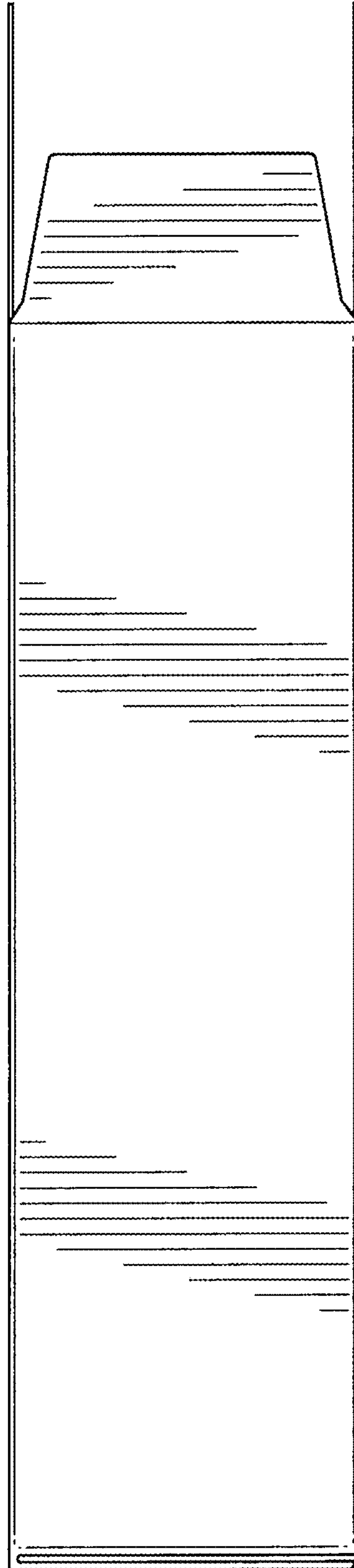


FIG. 21

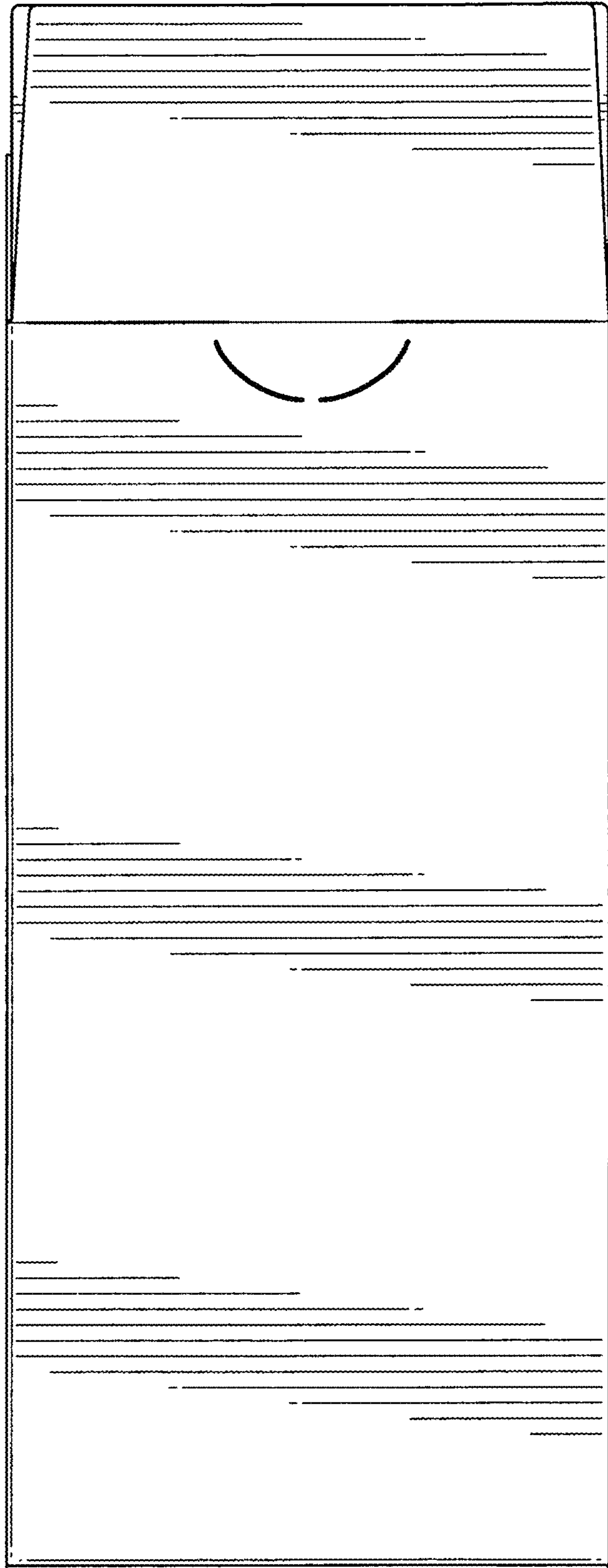


FIG. 22

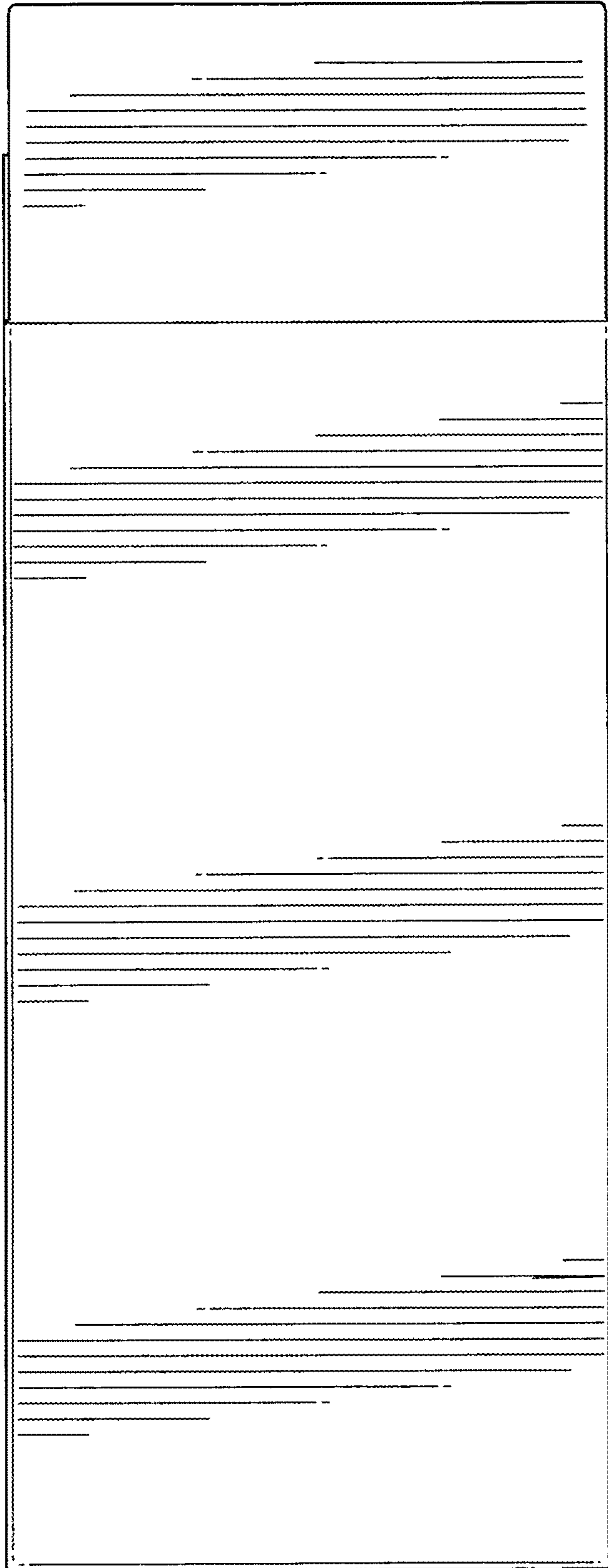


FIG. 23

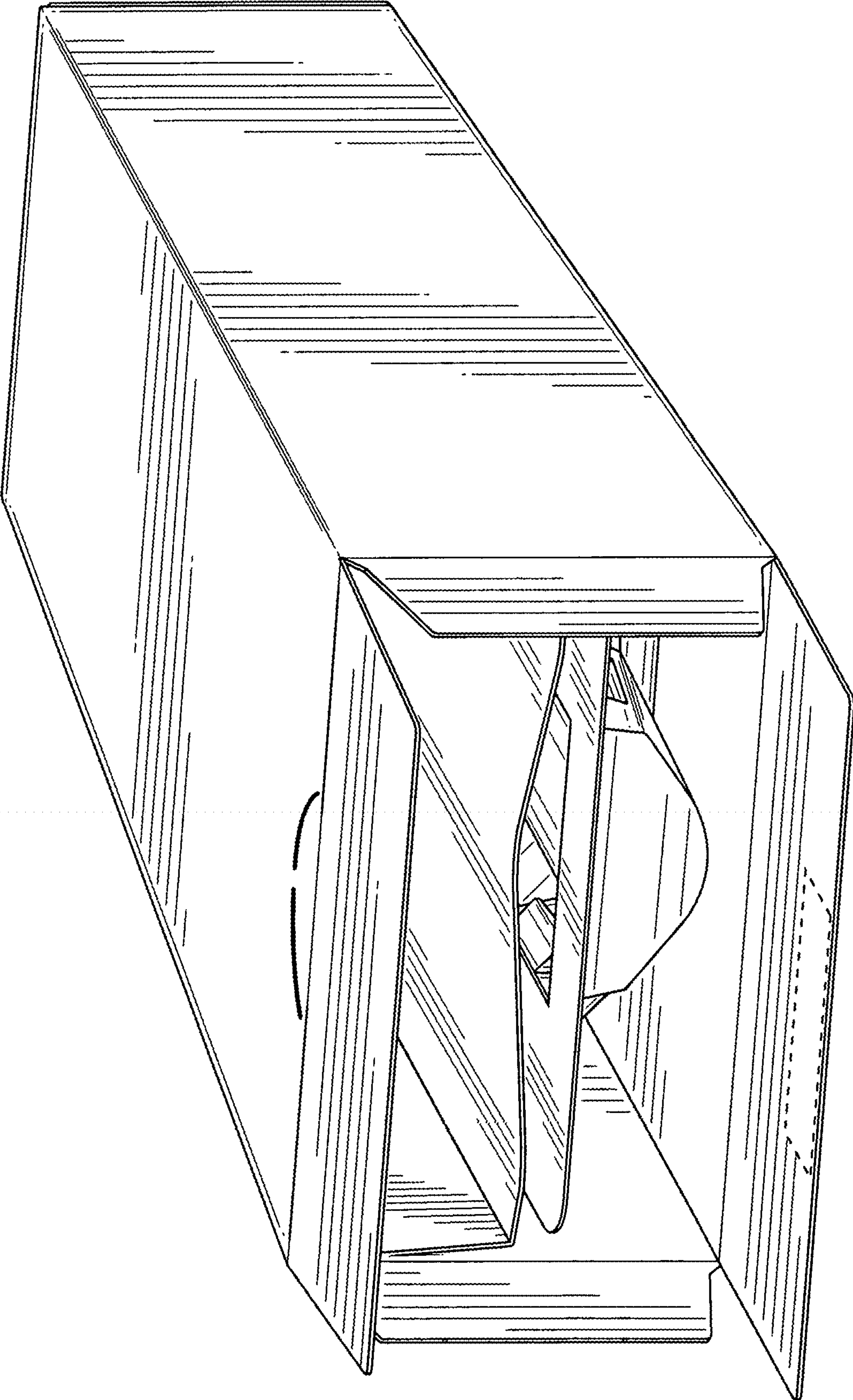


FIG. 24

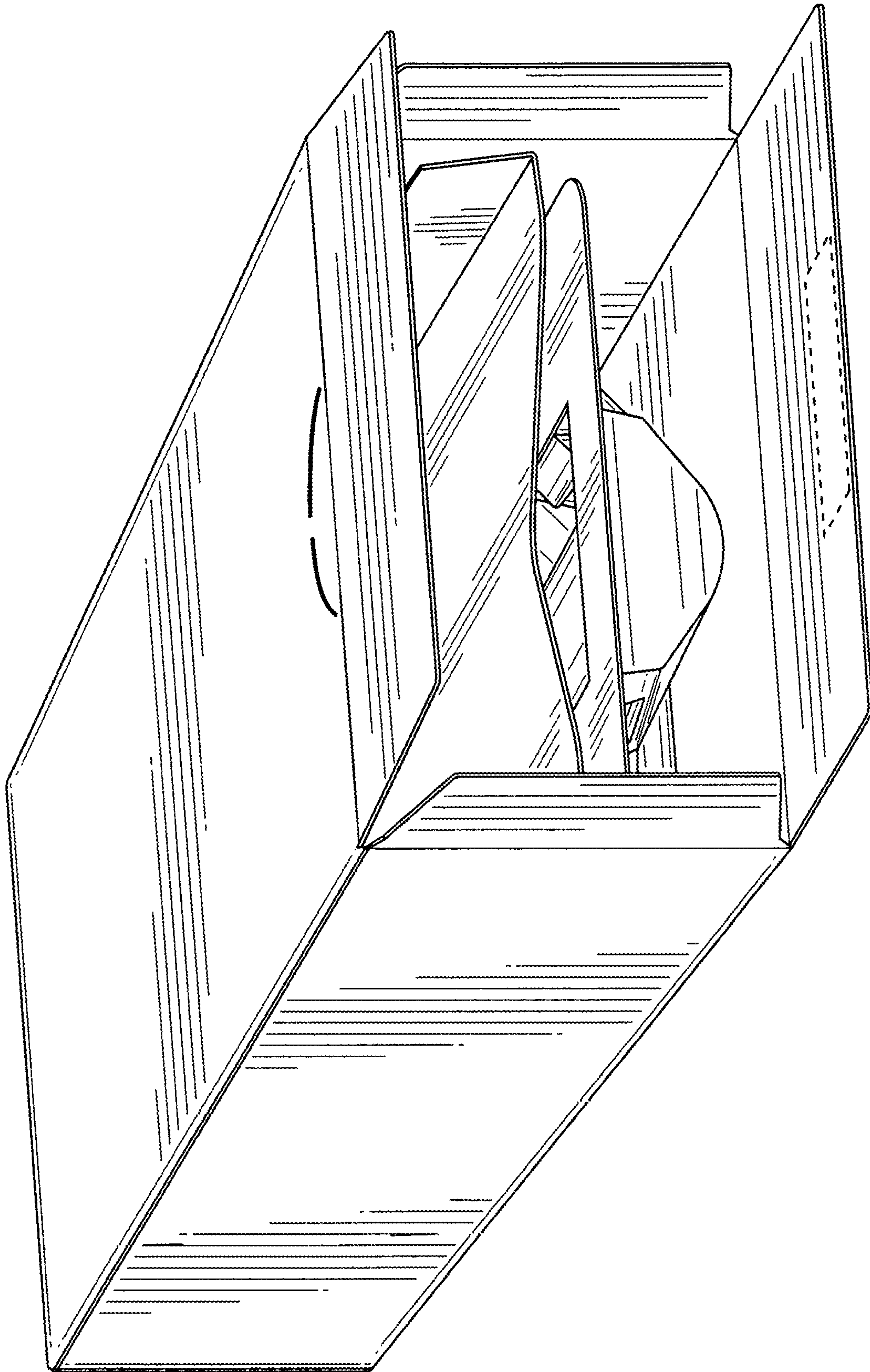


FIG. 25

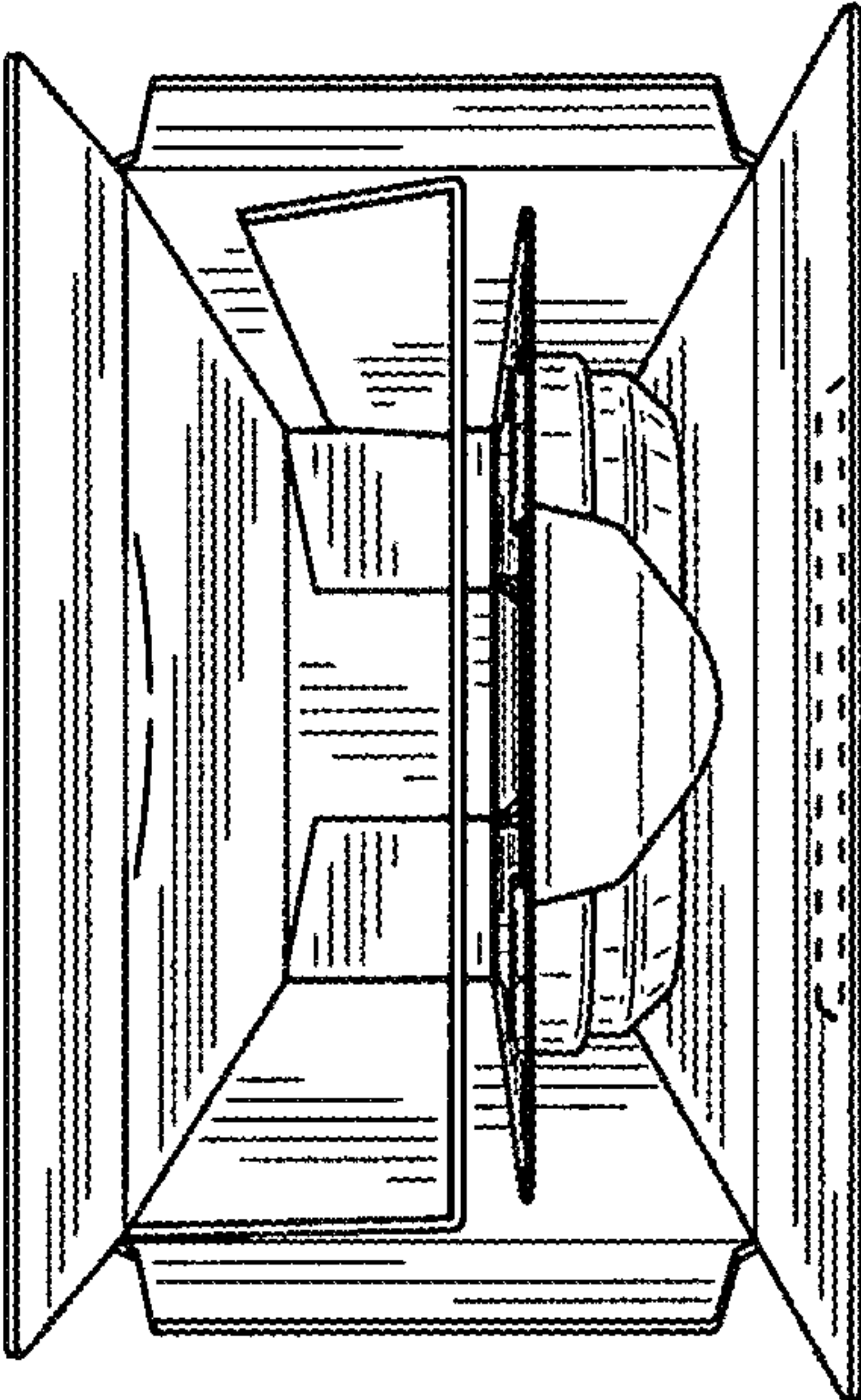


FIG. 26

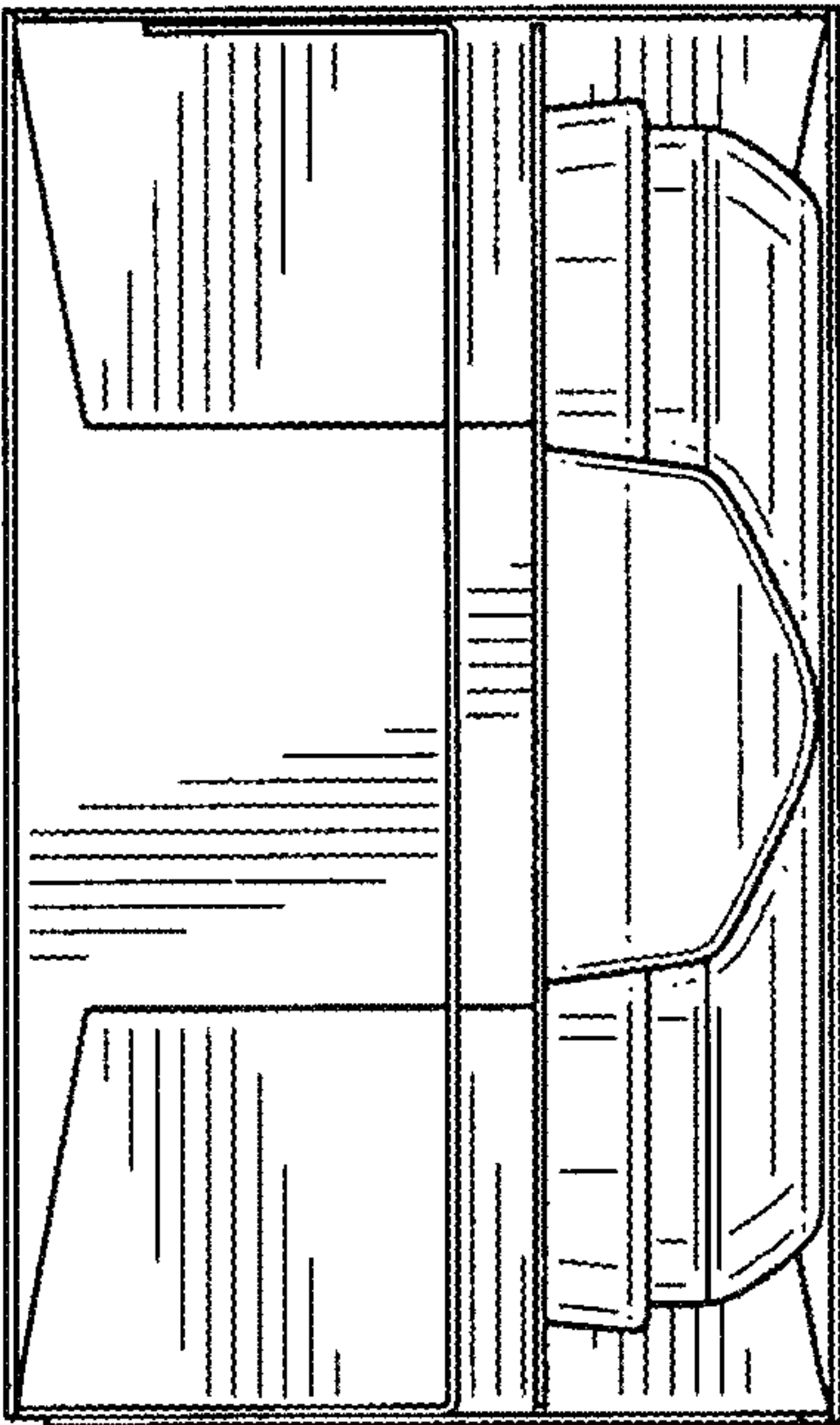


FIG. 27

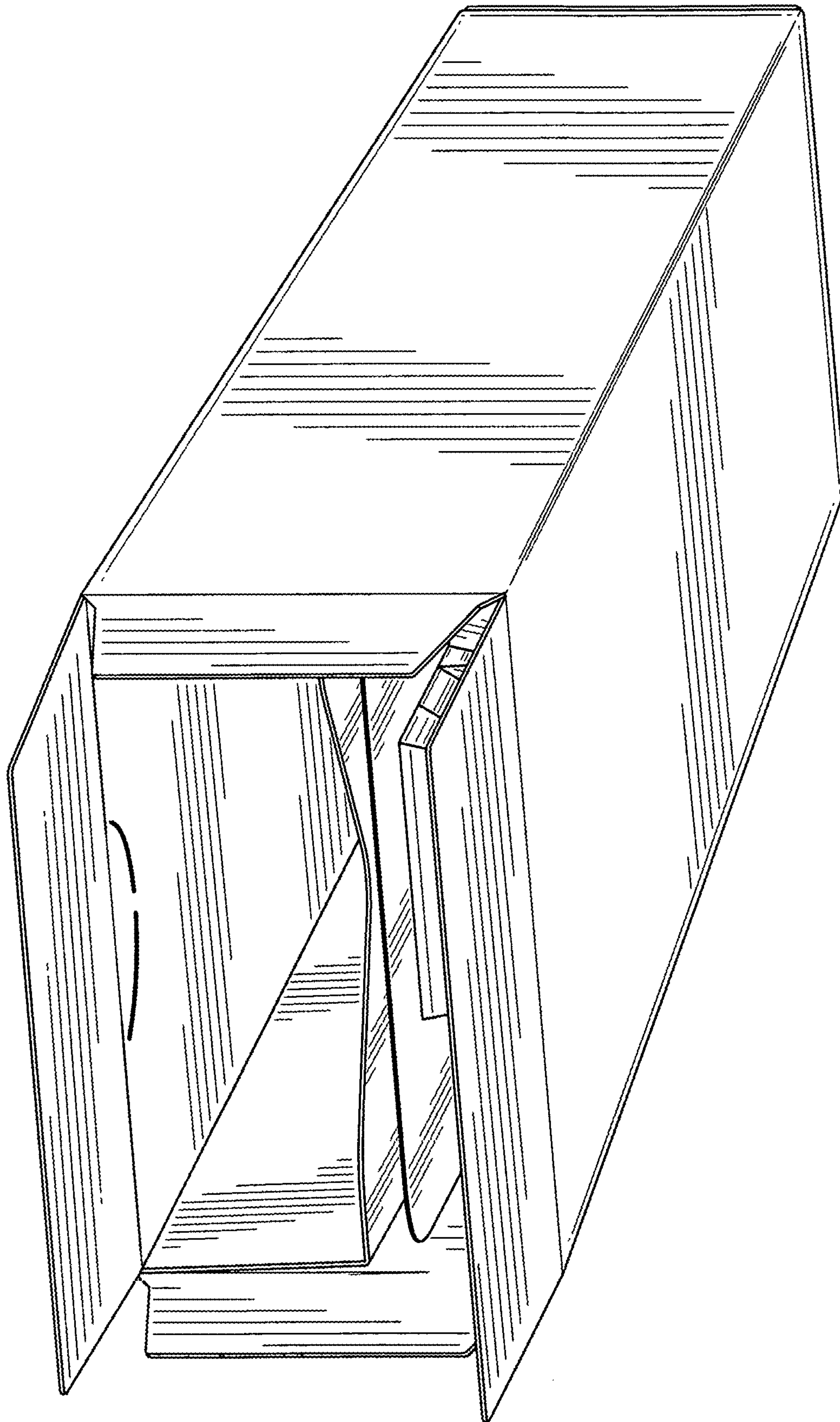


FIG. 28

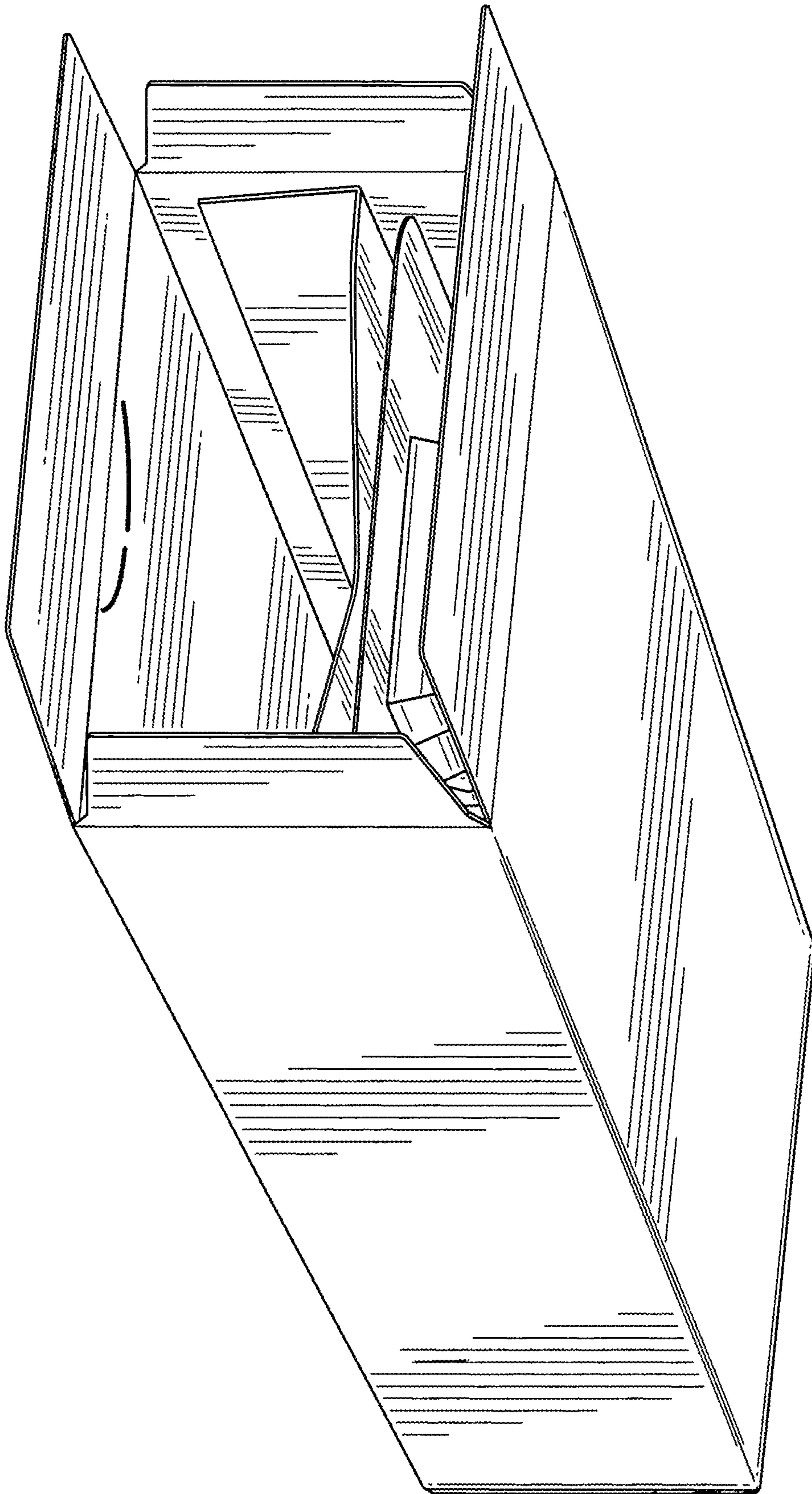


FIG. 29

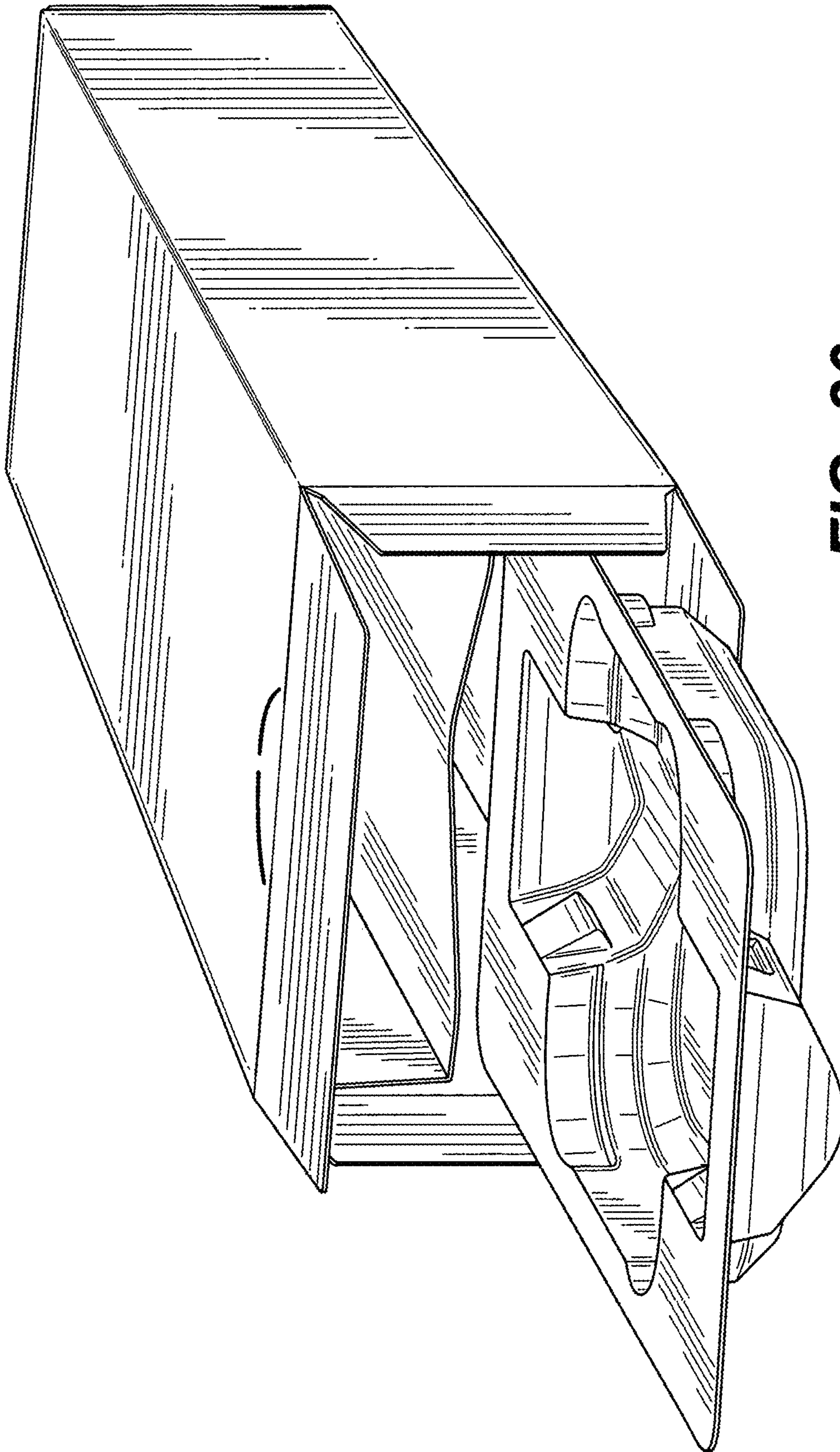


FIG. 30

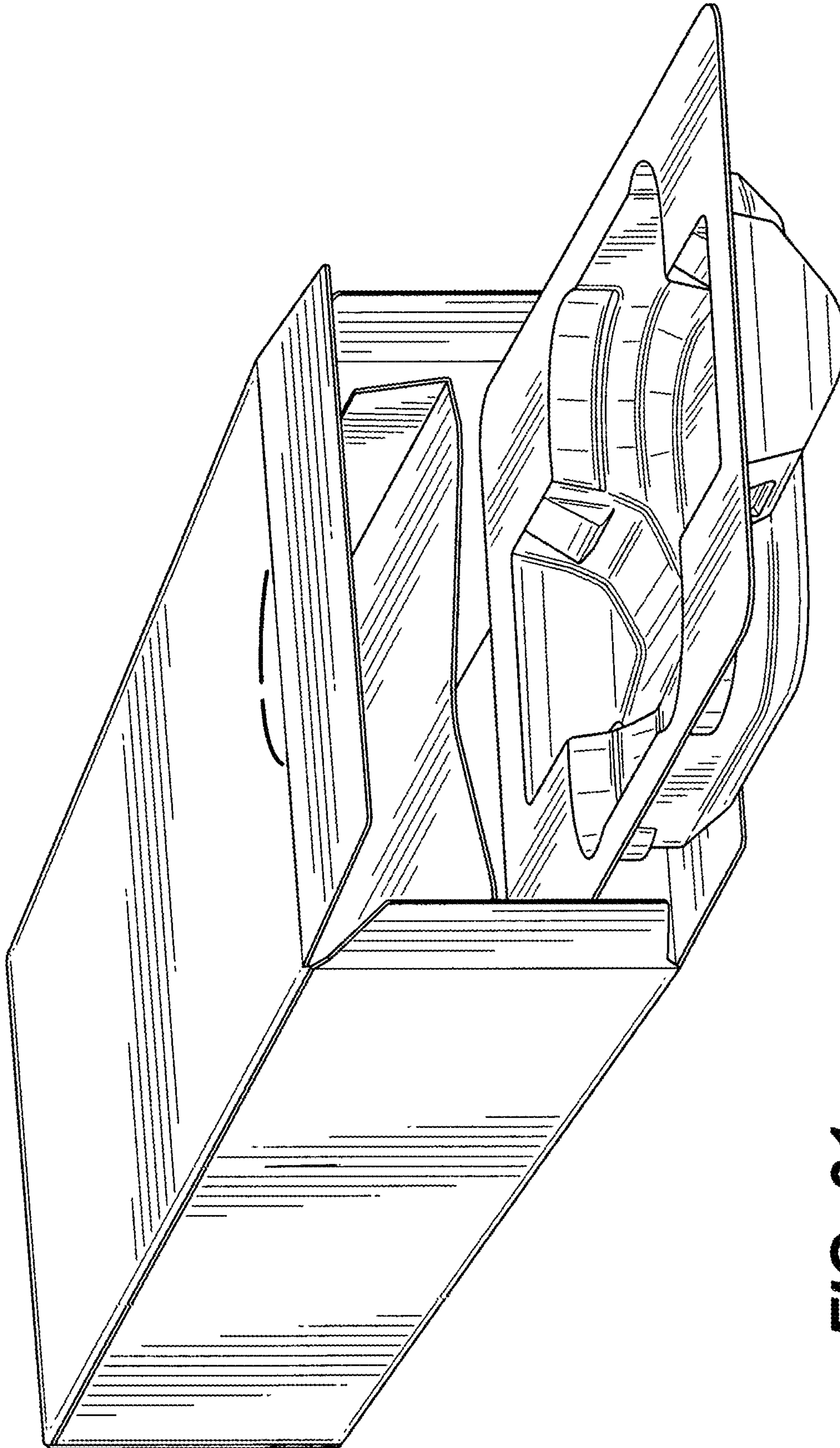


FIG. 31

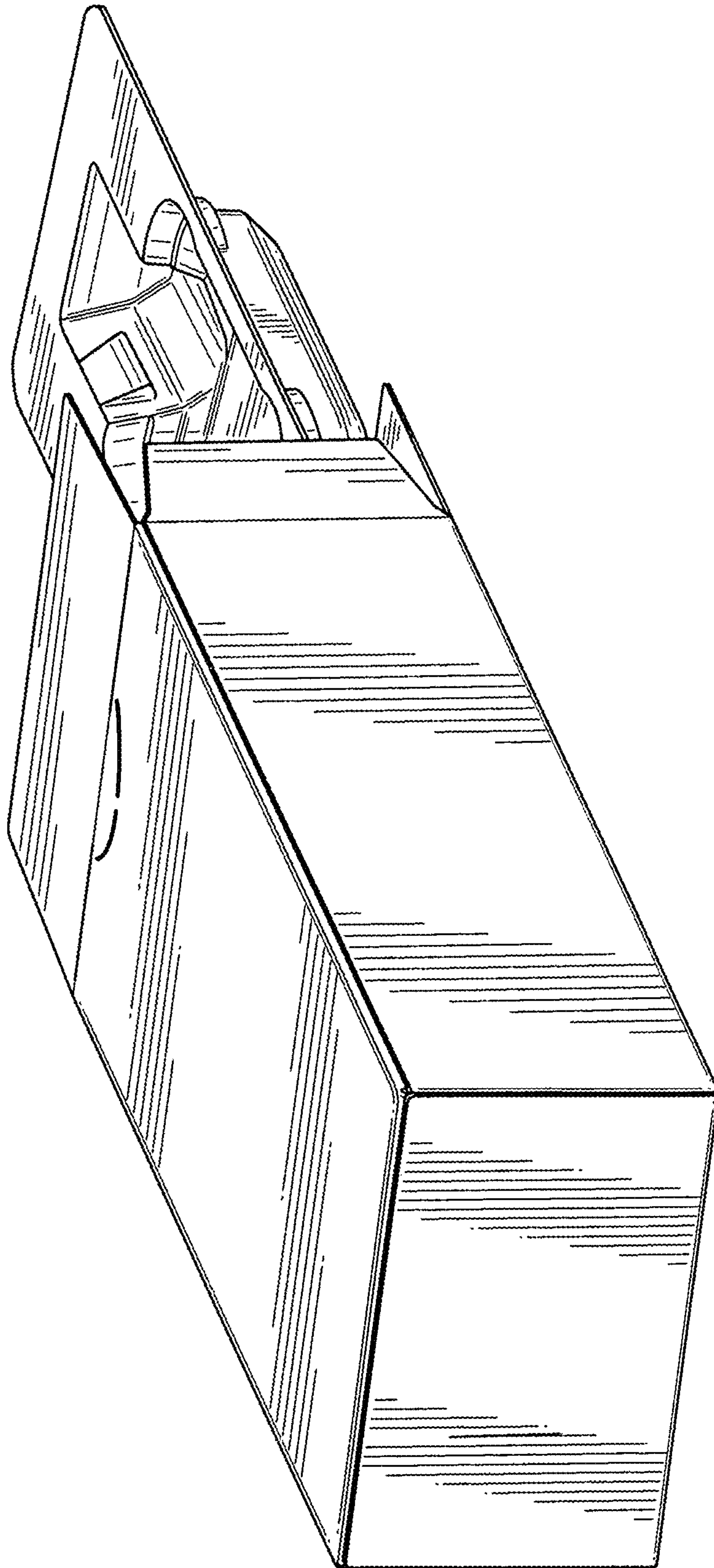


FIG. 32

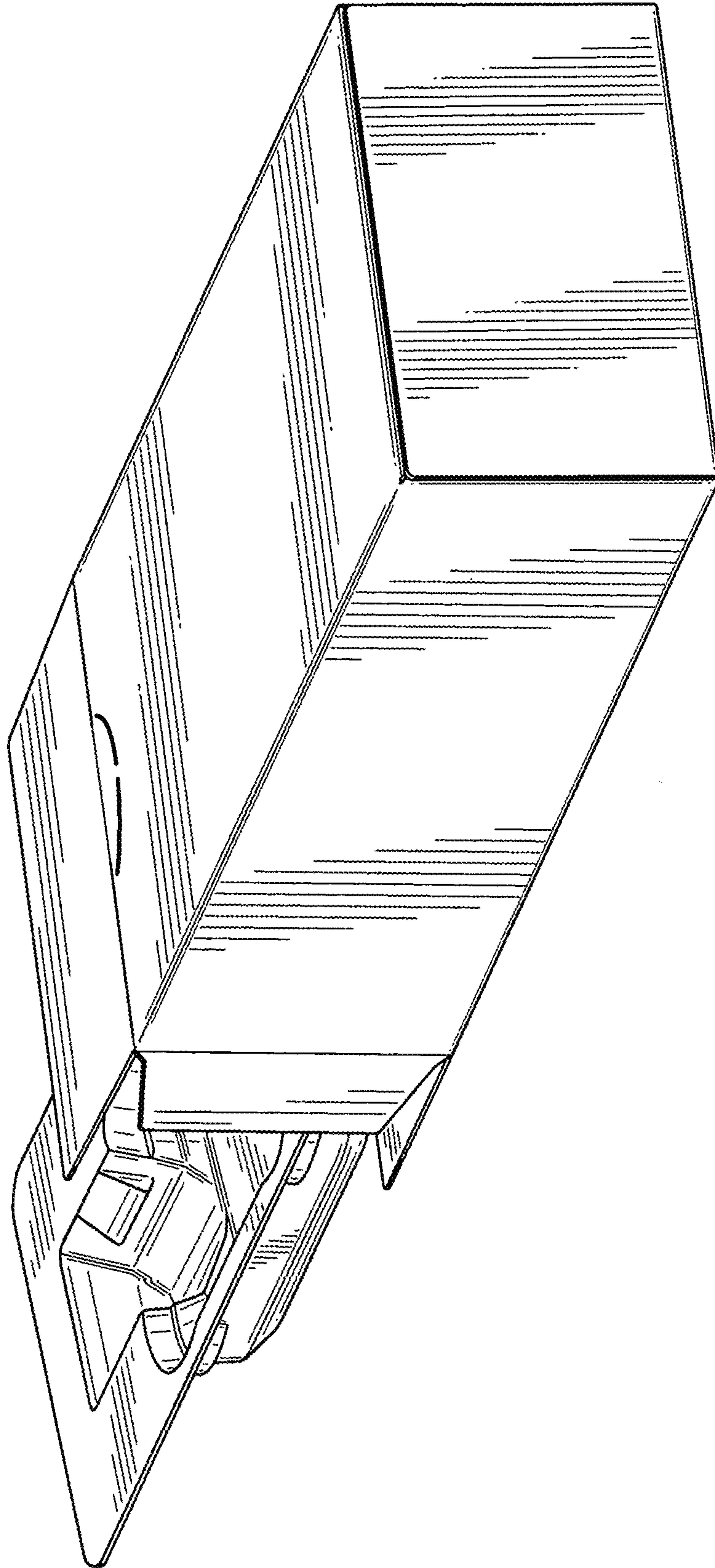


FIG. 33

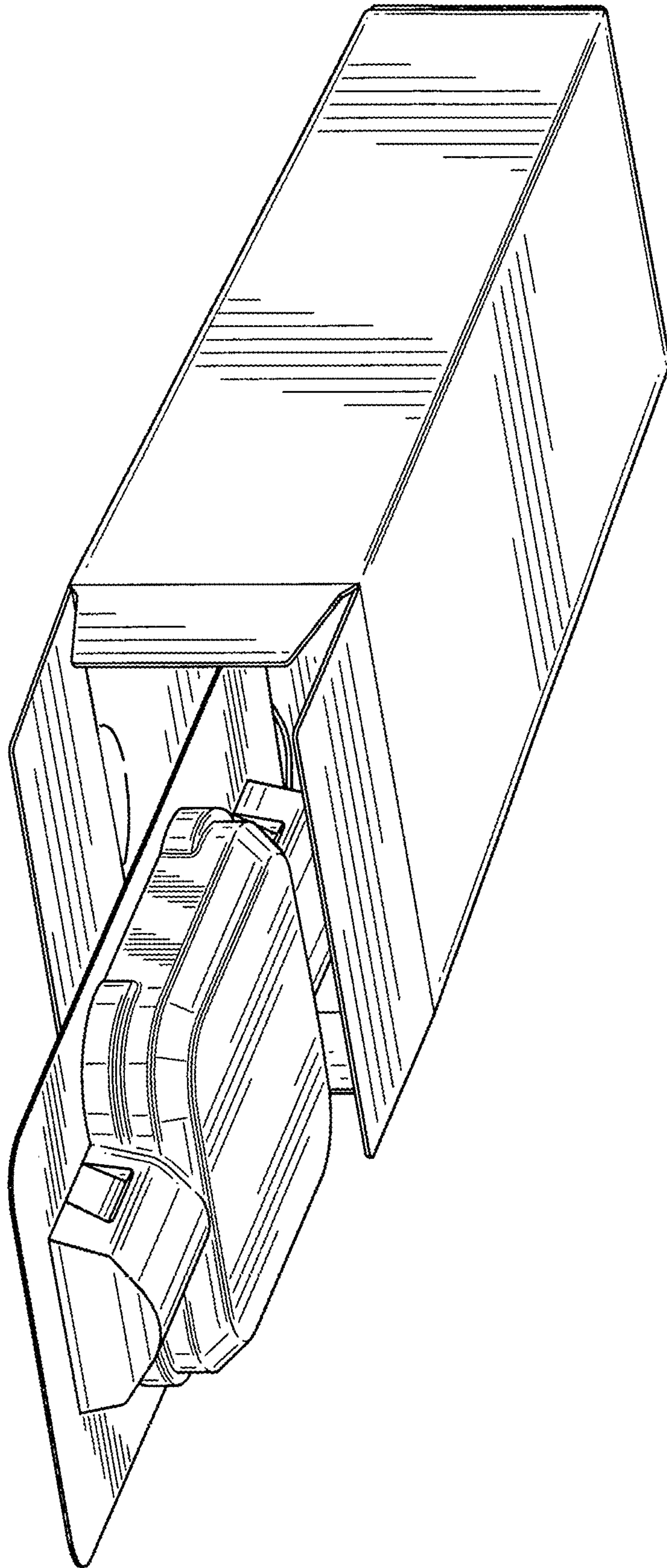


FIG. 34

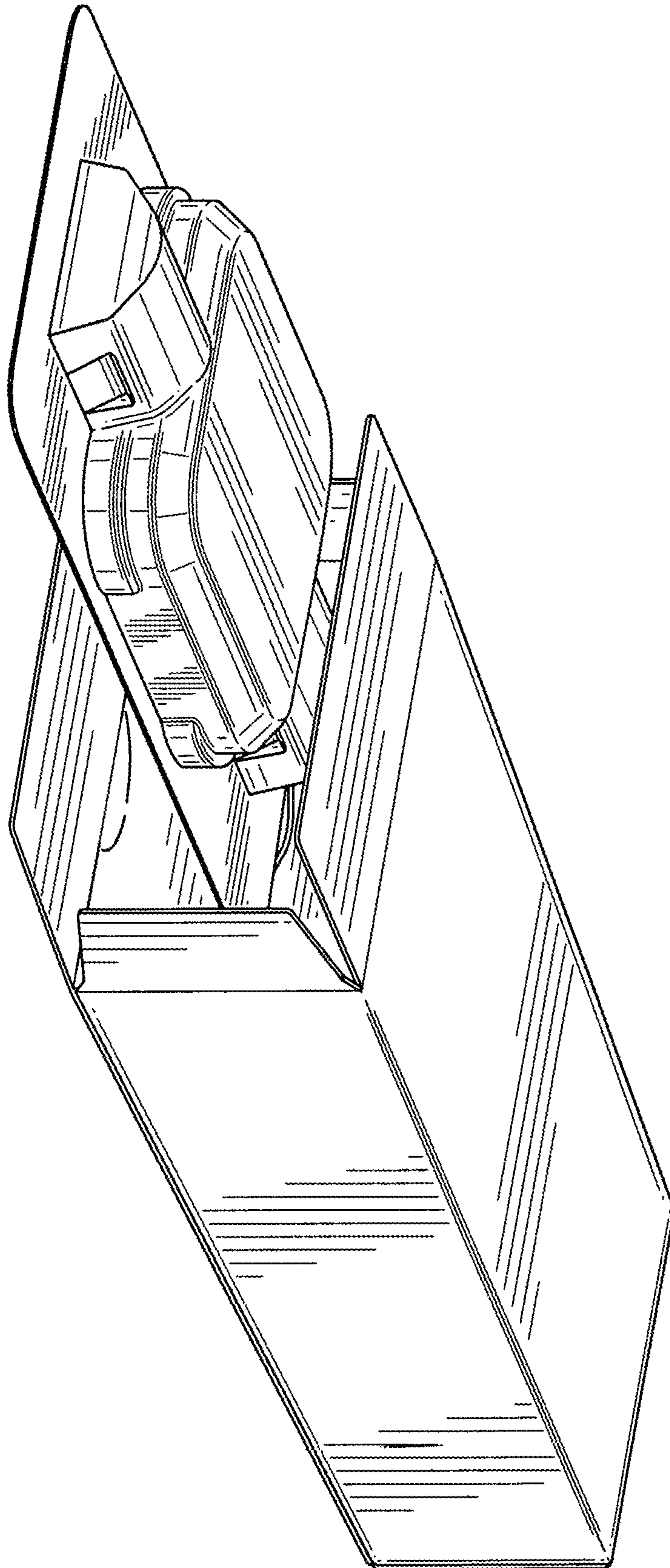


FIG. 35

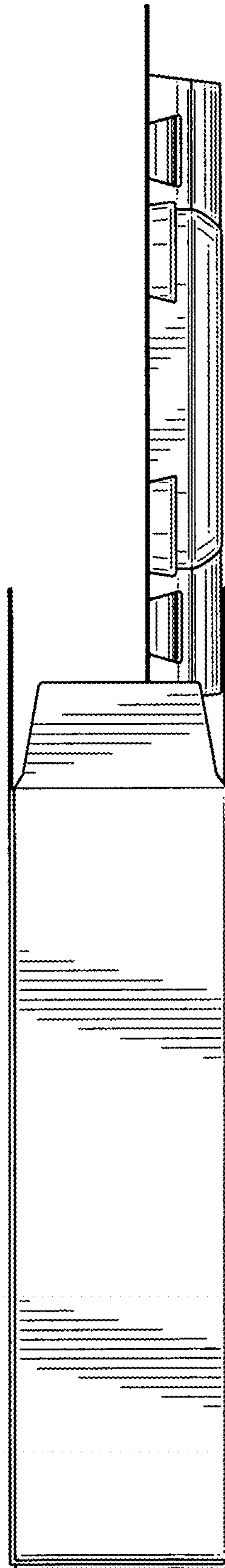


FIG. 36

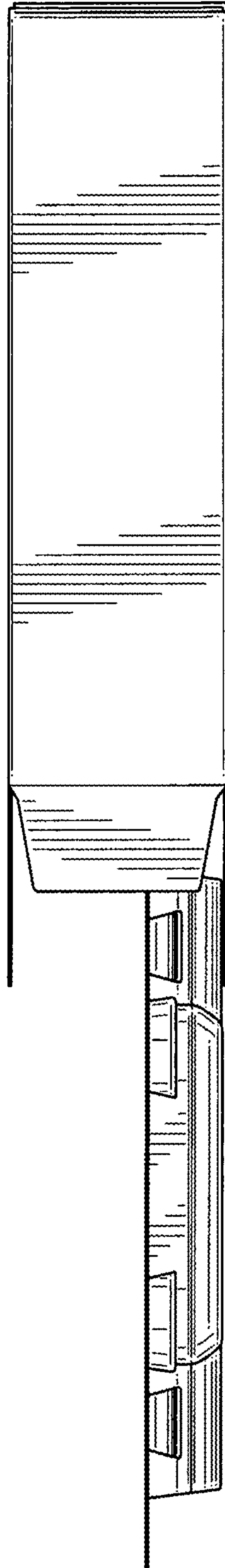


FIG. 37

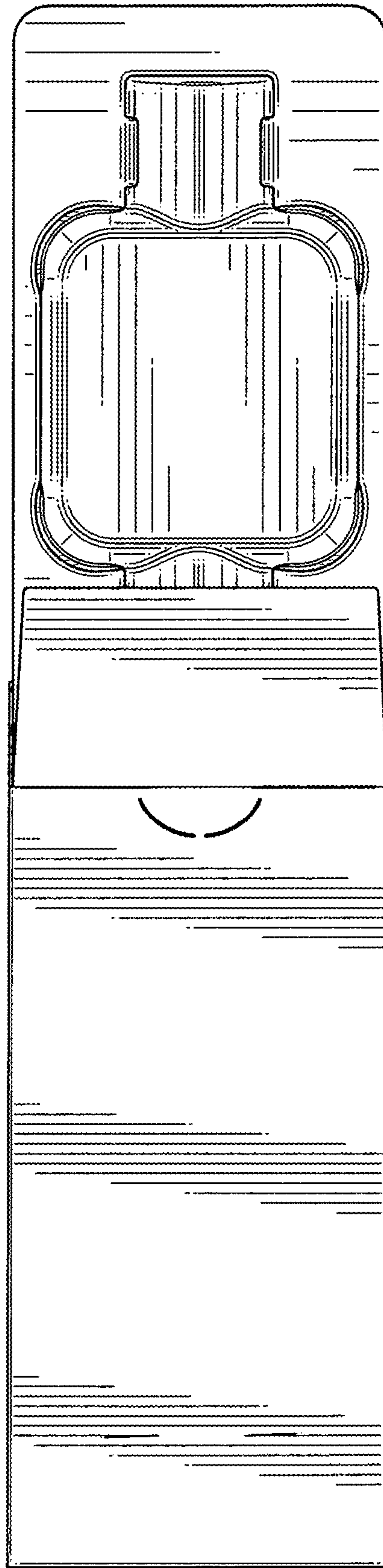


FIG. 38

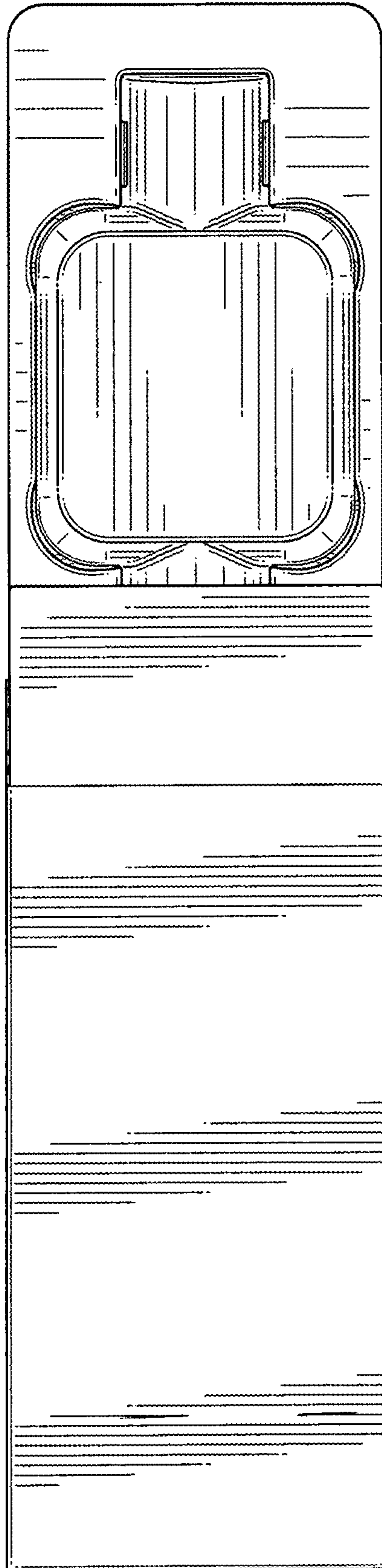


FIG. 39

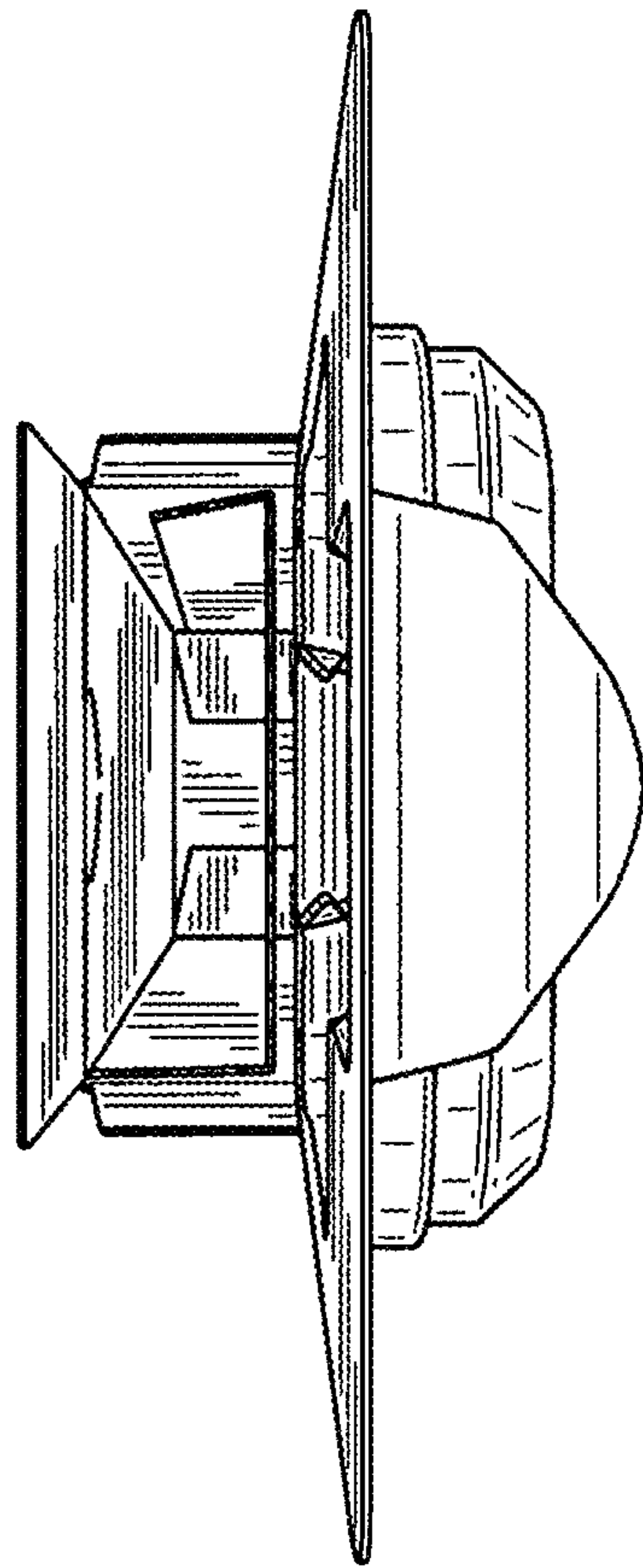


FIG. 40

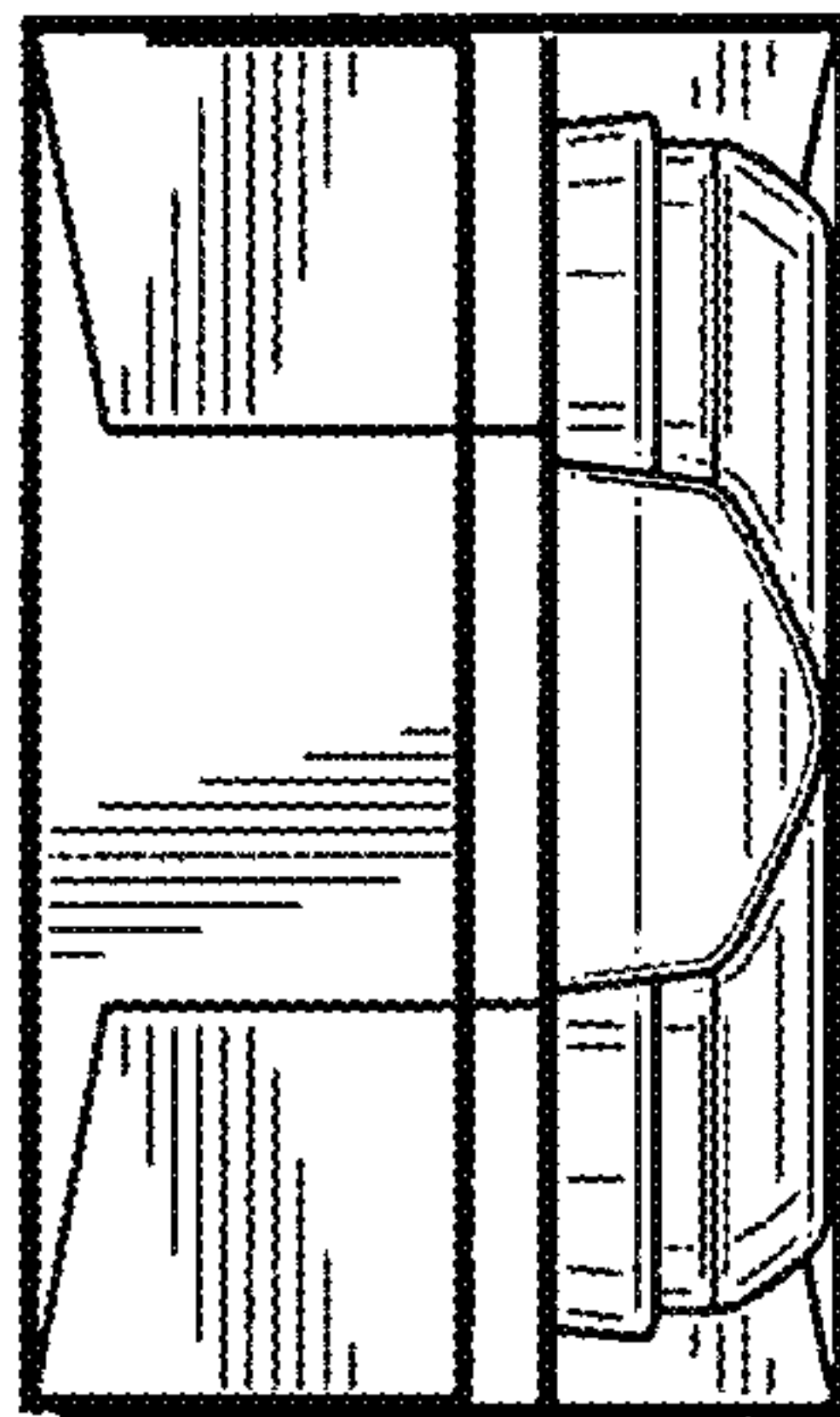


FIG. 41



FIG. 42

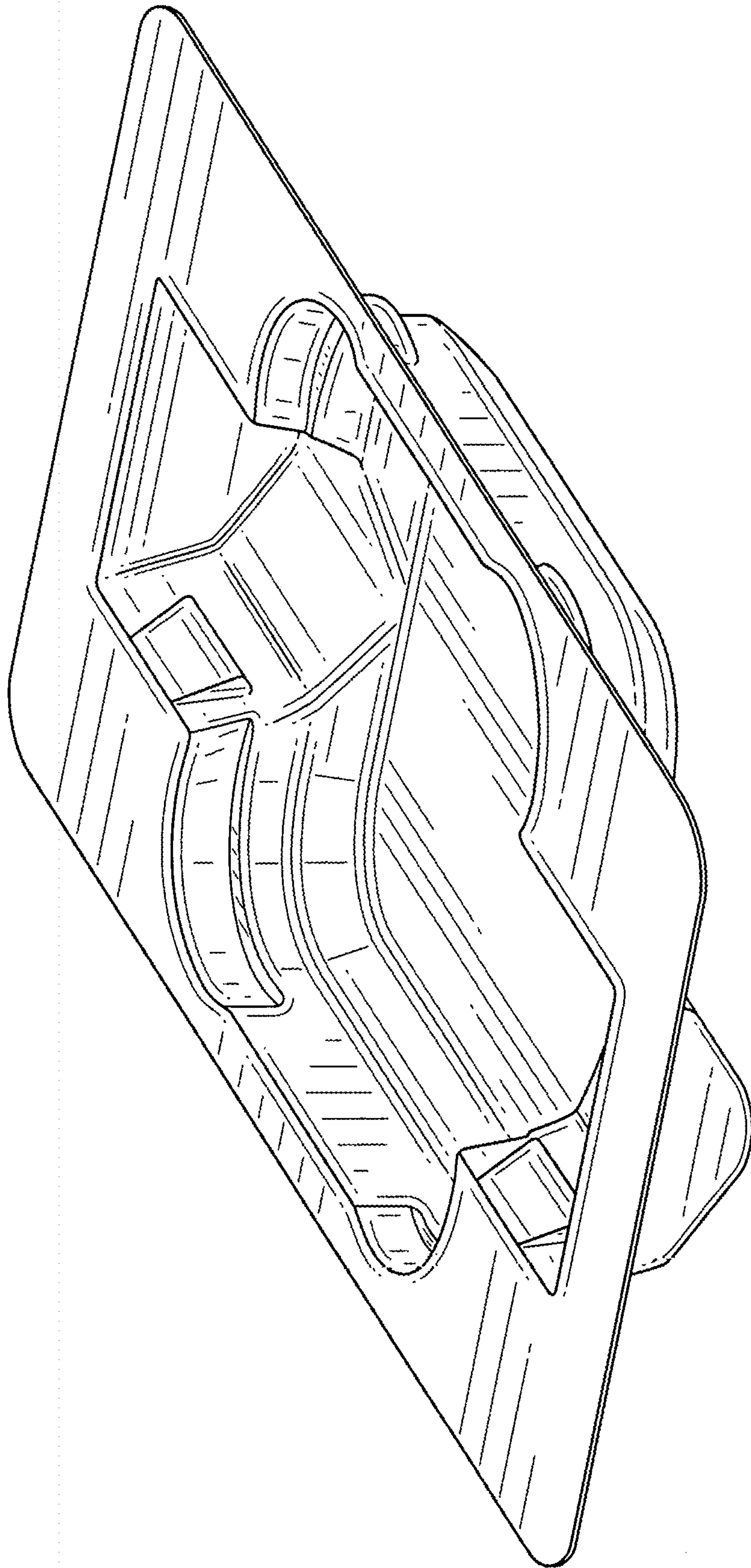


FIG. 43

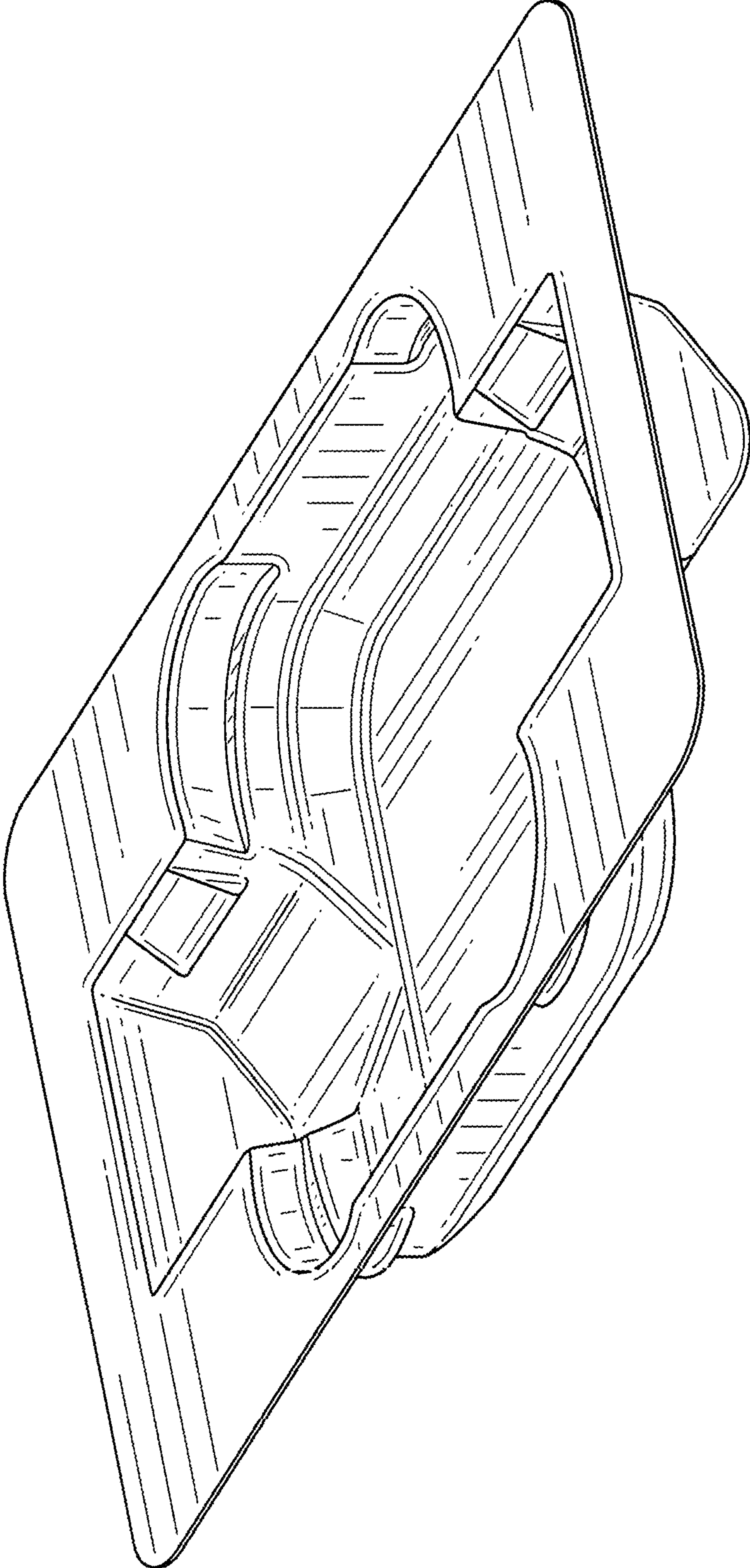


FIG. 44

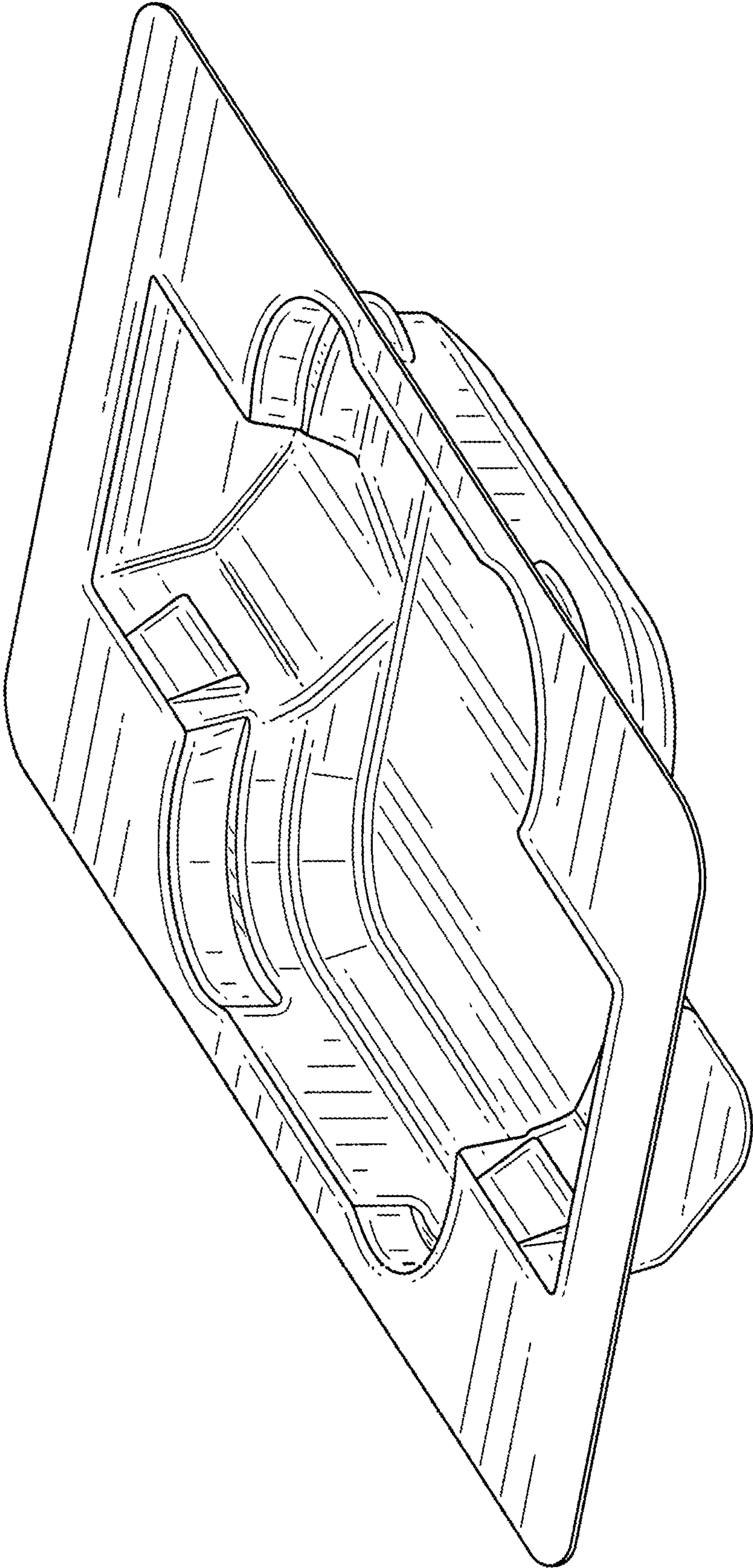


FIG. 45

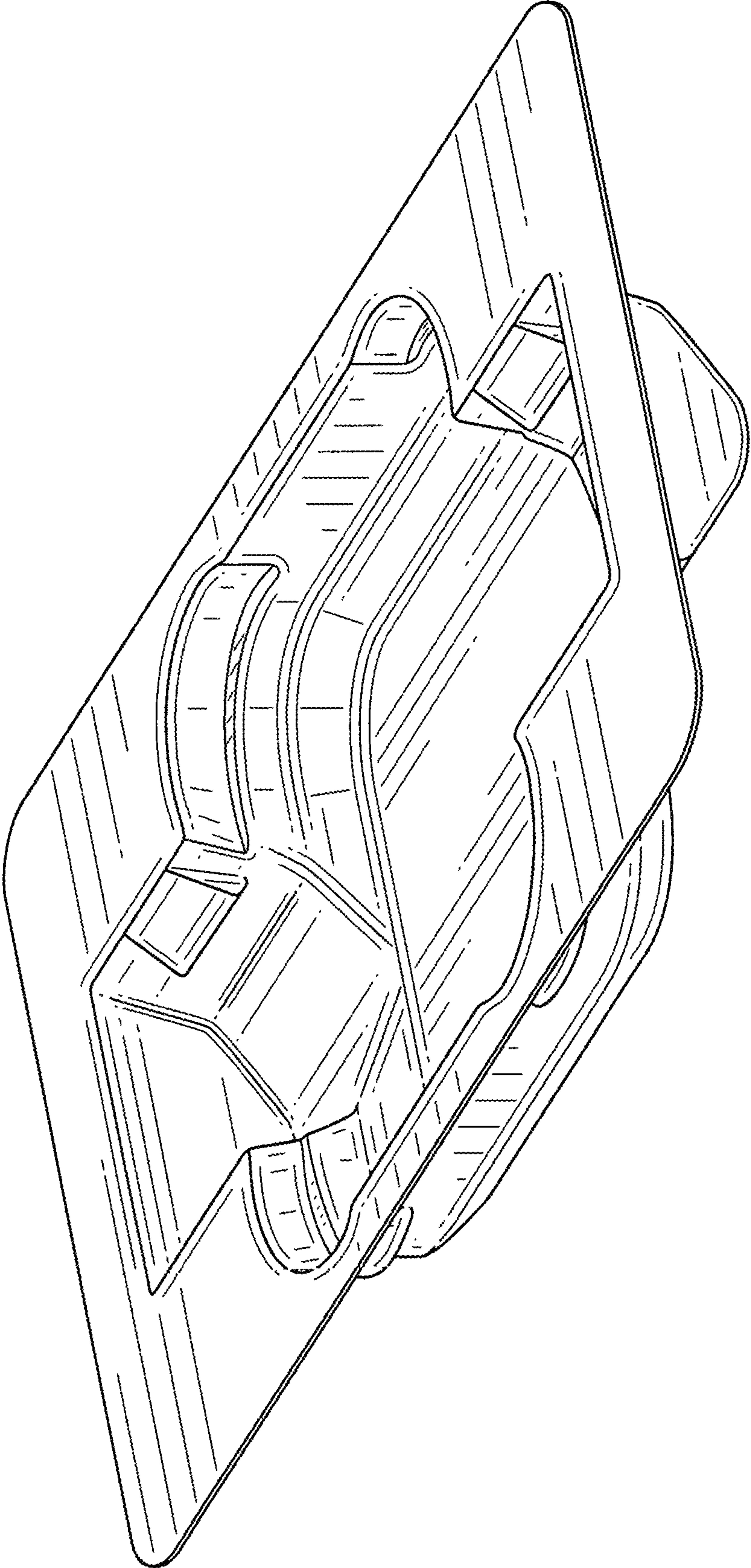


FIG. 46

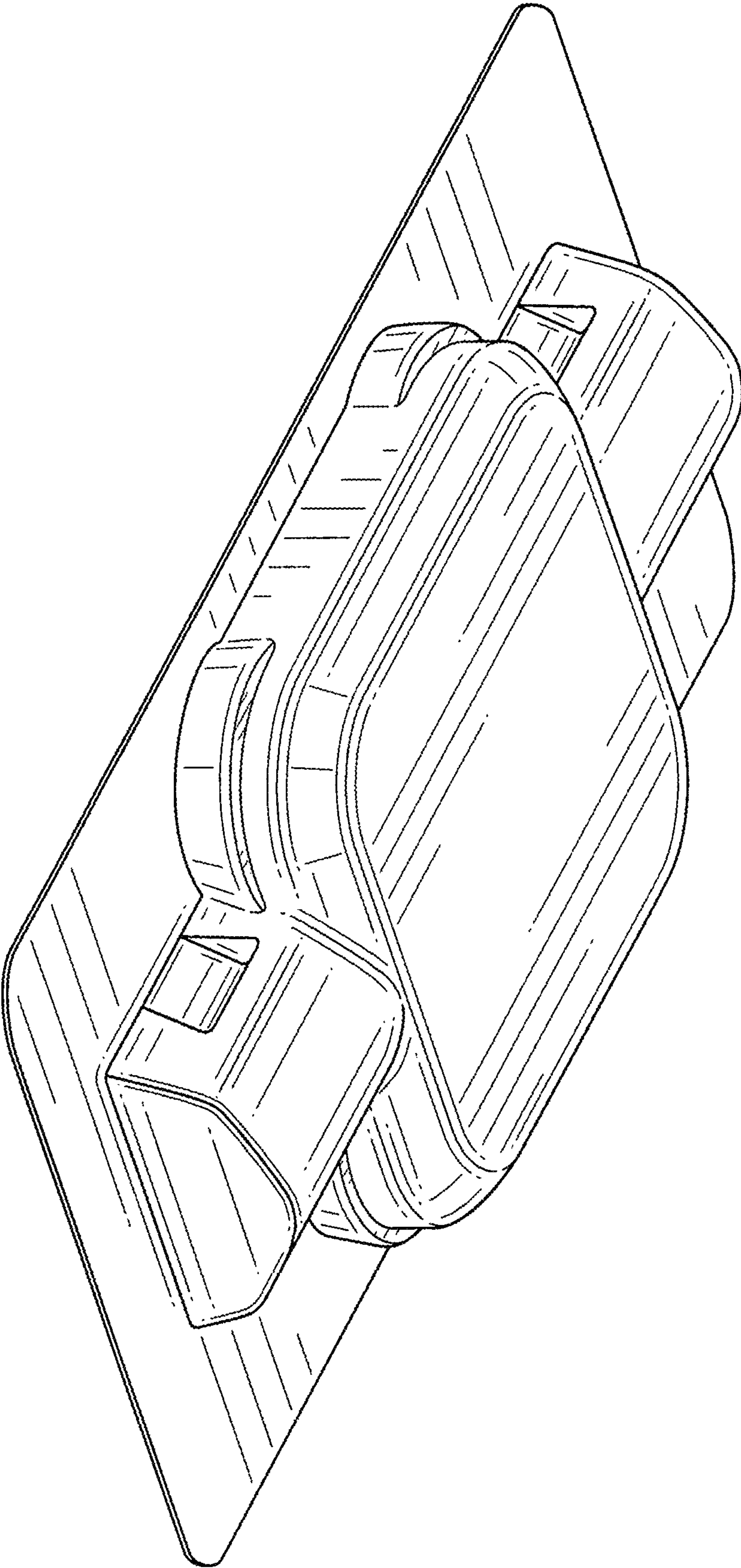


FIG. 47

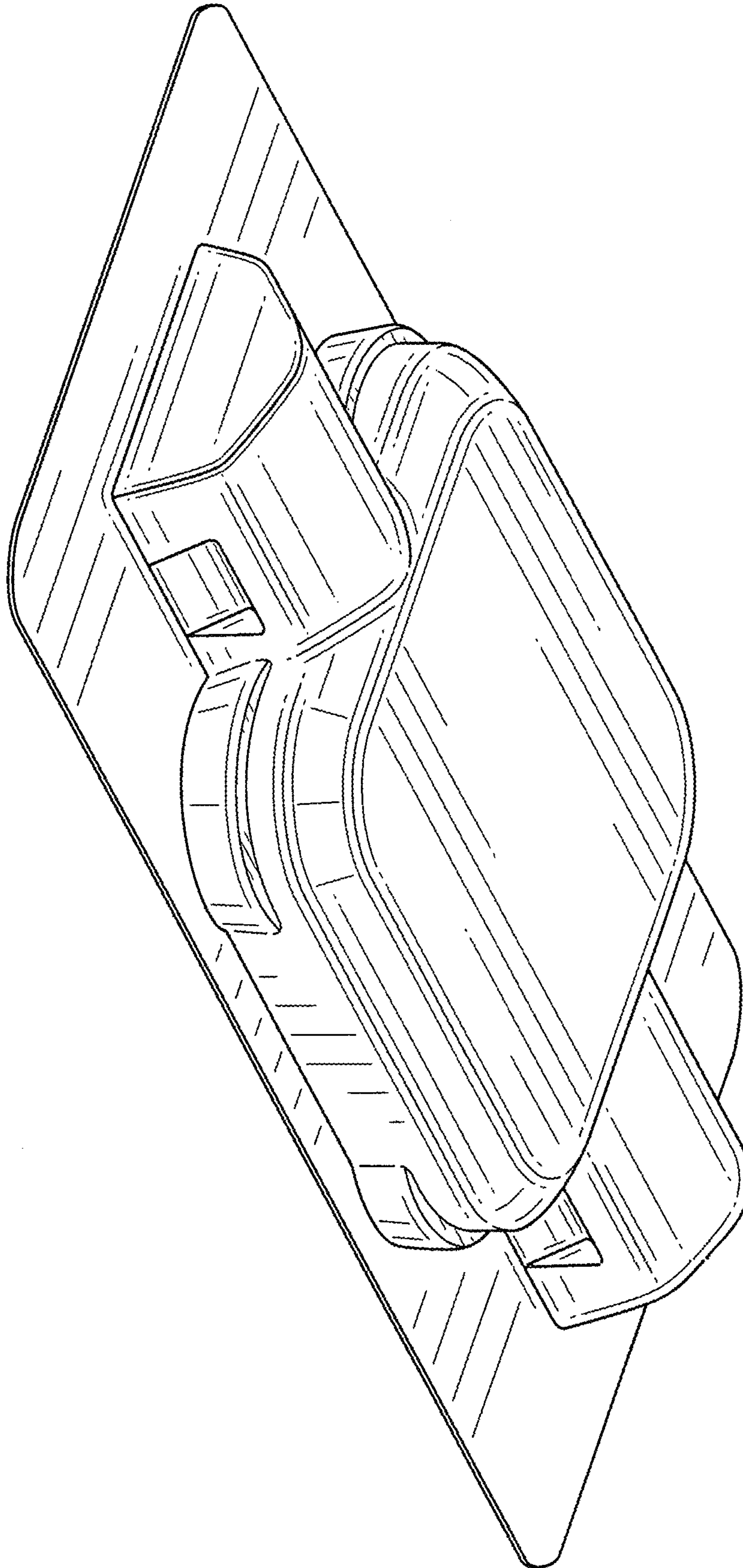


FIG. 48

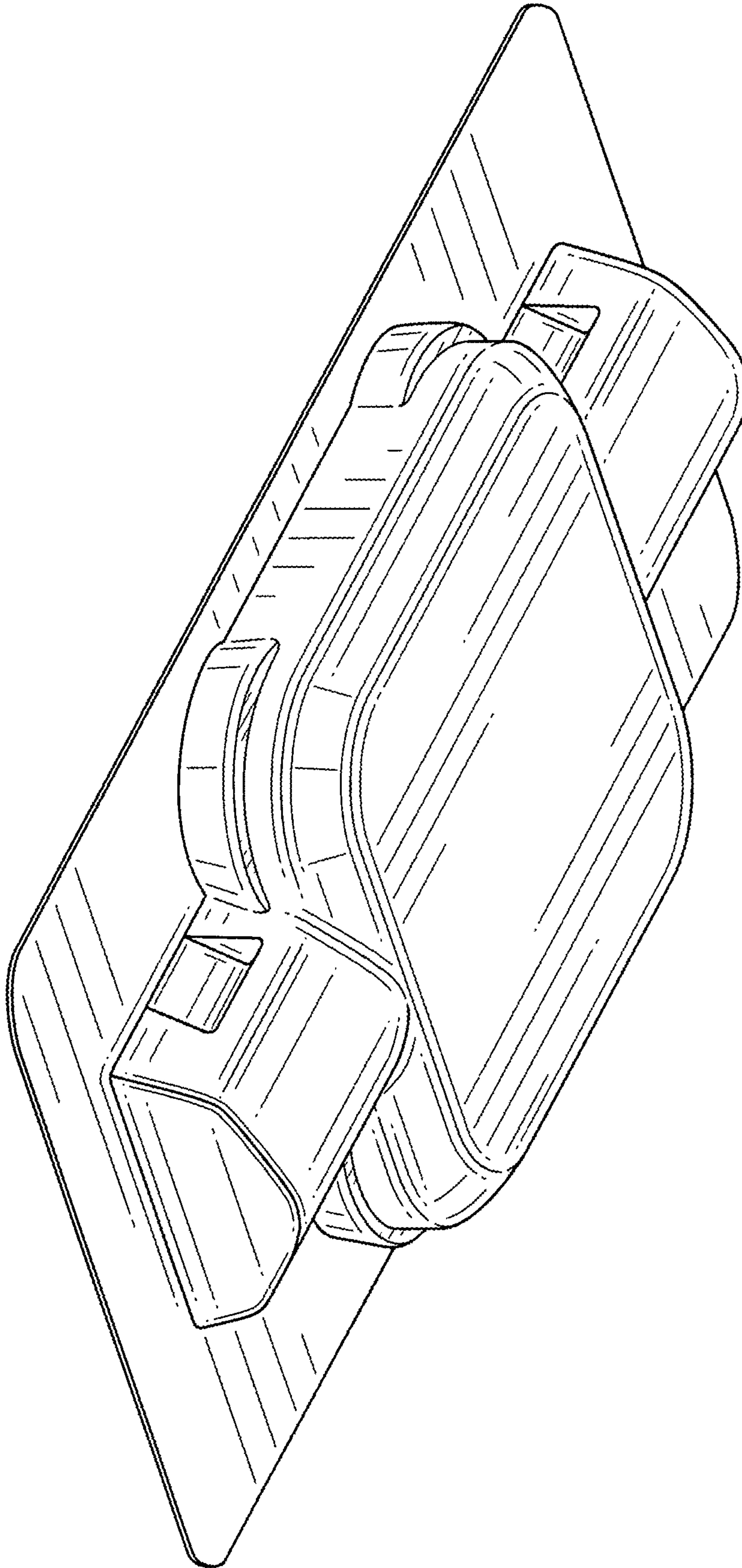


FIG. 49

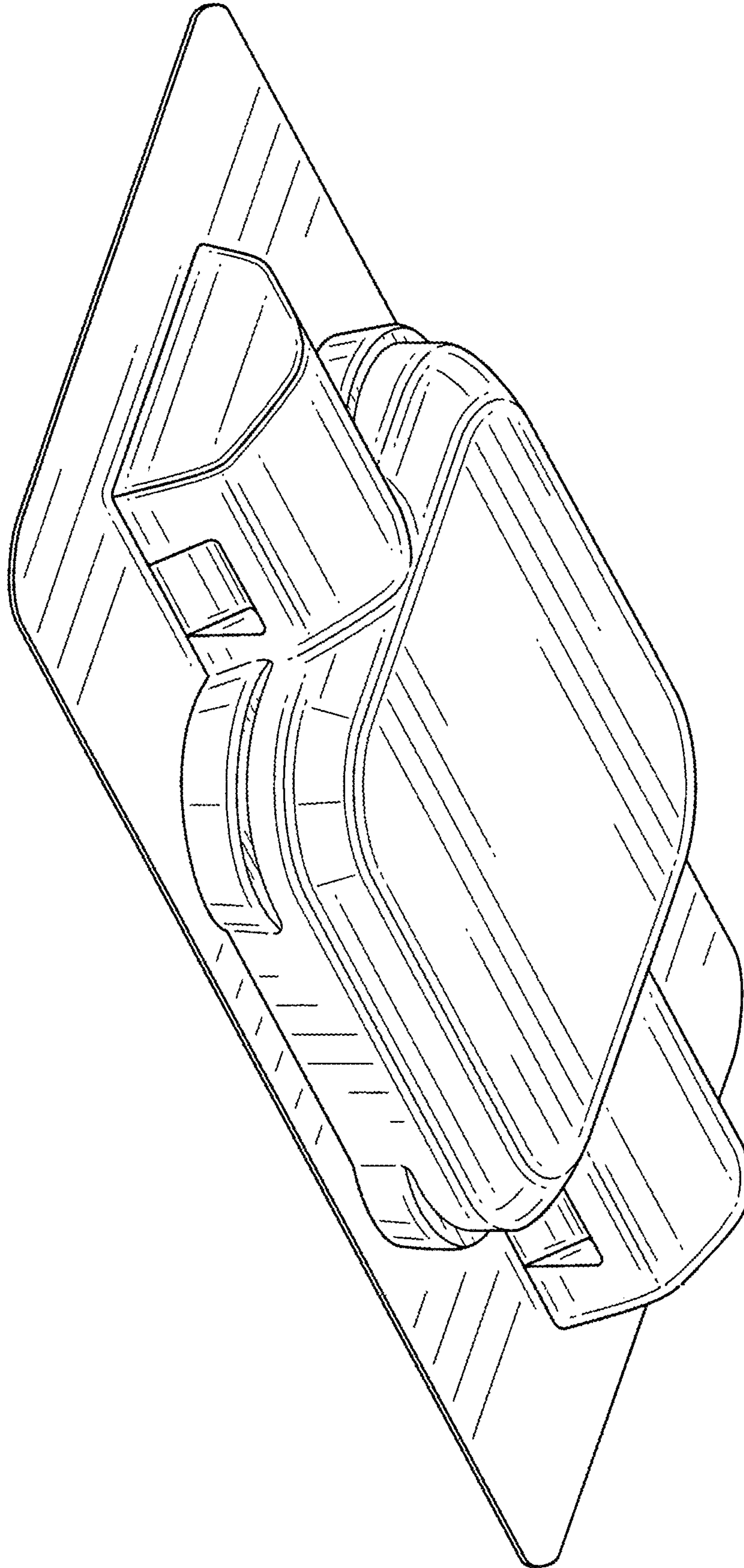


FIG. 50

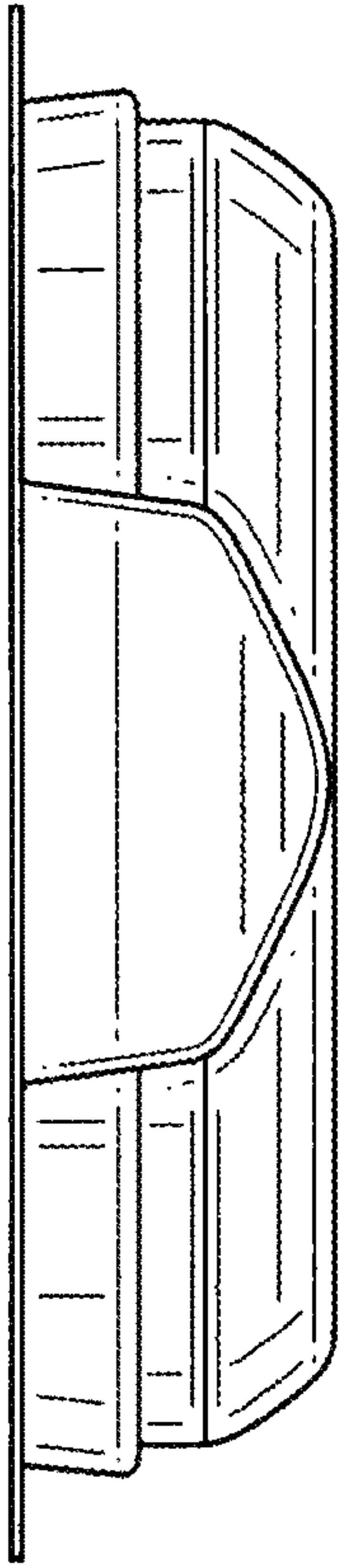


FIG. 51

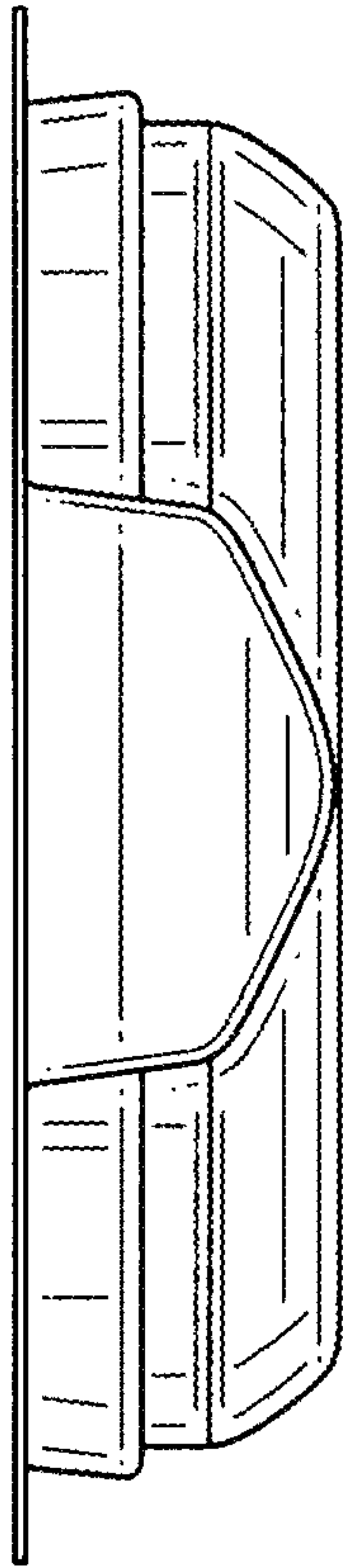


FIG. 52

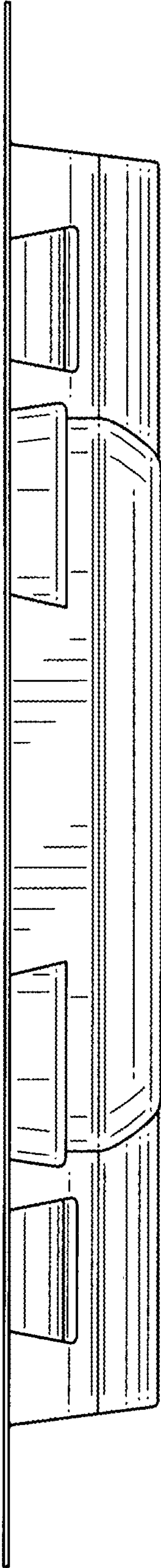


FIG. 53

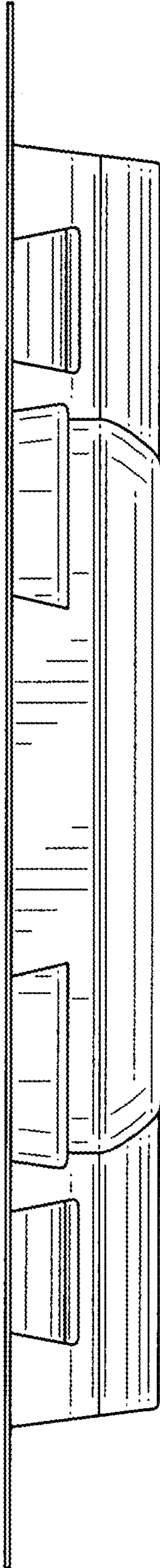


FIG. 54

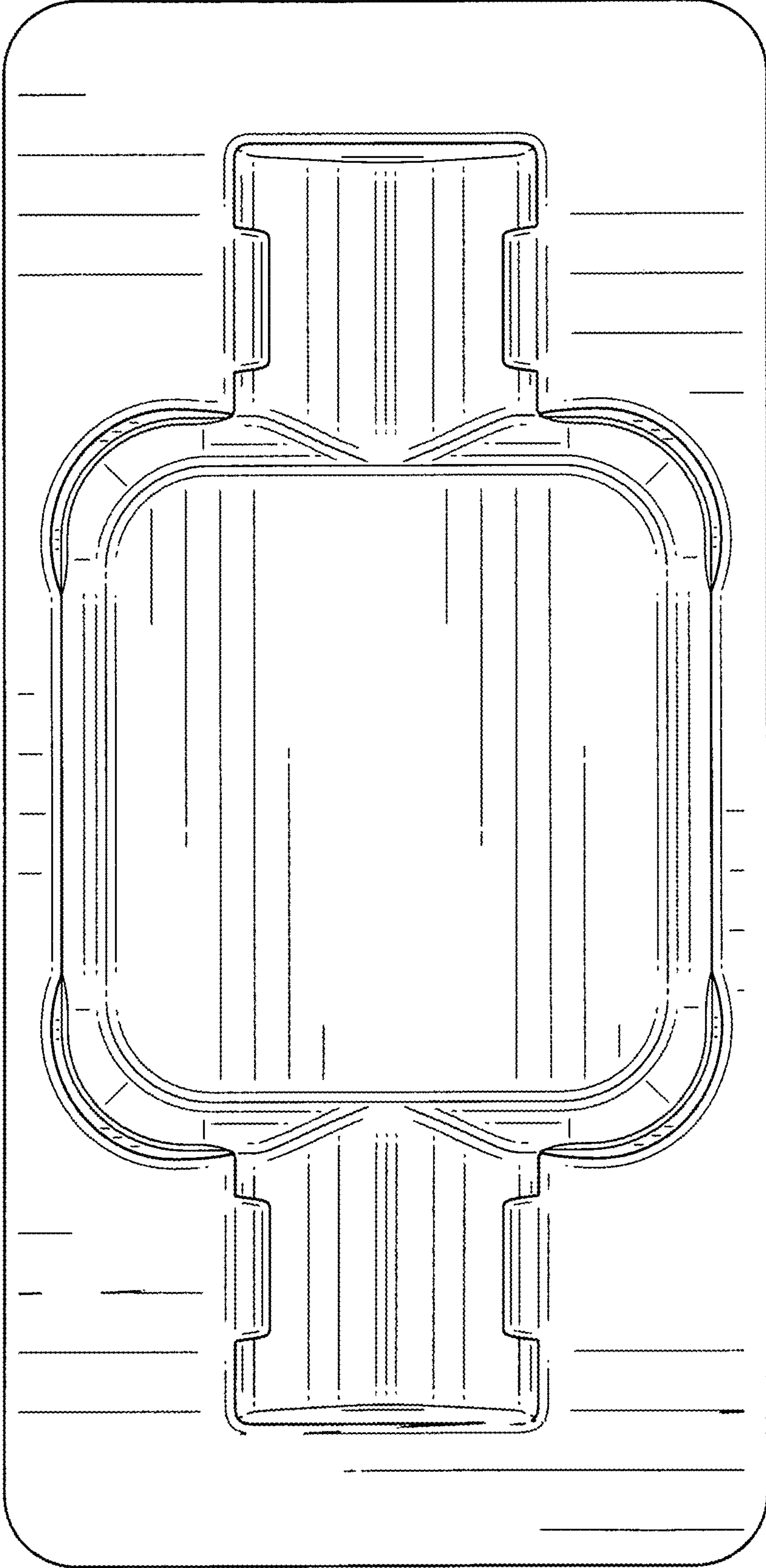


FIG. 55

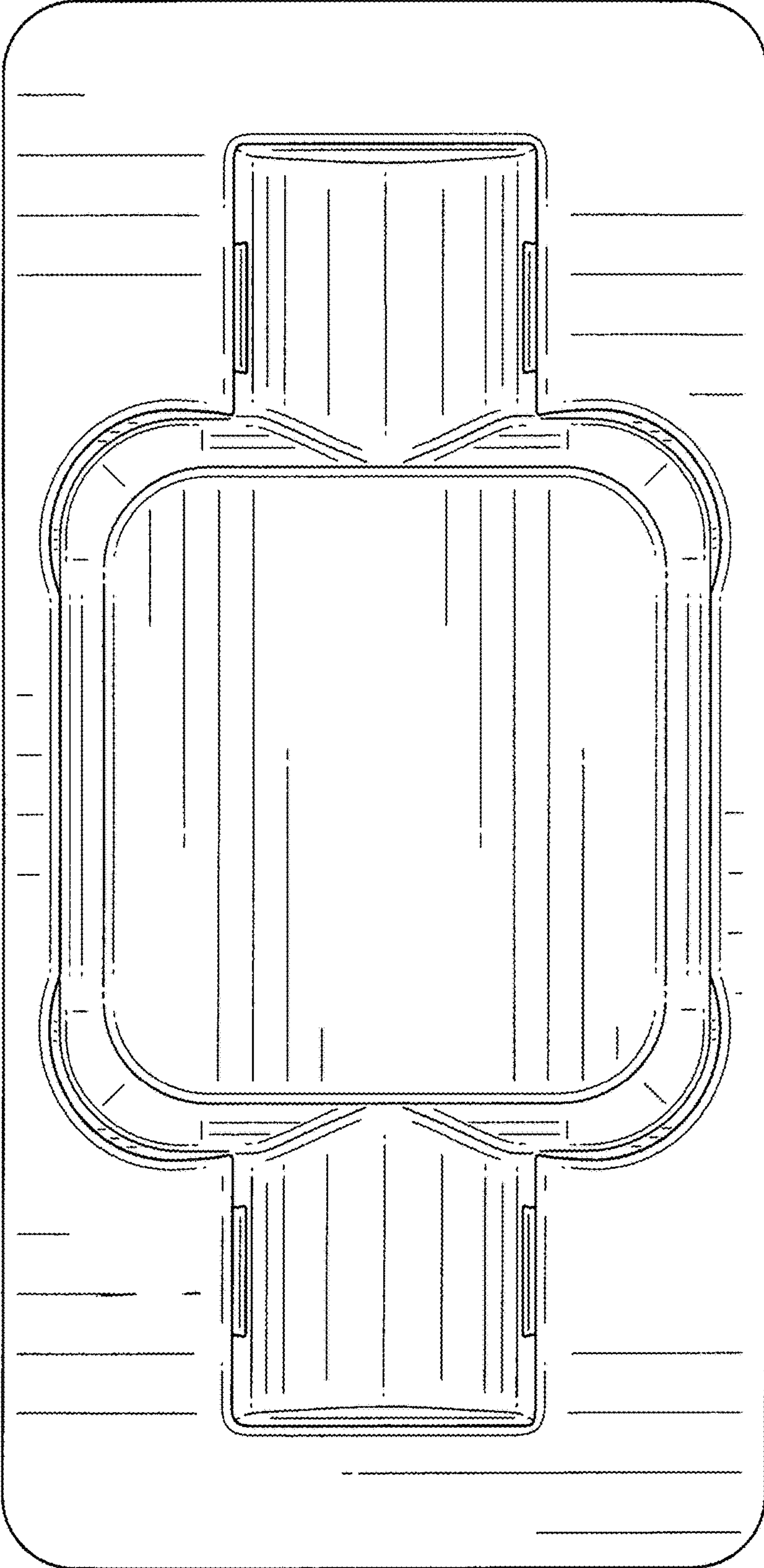


FIG. 56