



US00D892631S

(12) **United States Design Patent**
Zembrod

(10) **Patent No.:** **US D892,631 S**

(45) **Date of Patent:** **** Aug. 11, 2020**

(54) **PACKAGING**

(71) Applicant: **Eric Zembrod**, Boituva (BR)

(72) Inventor: **Eric Zembrod**, Boituva (BR)

(**) Term: **15 Years**

(21) Appl. No.: **29/673,834**

(22) Filed: **Dec. 18, 2018**

(30) **Foreign Application Priority Data**

Jun. 18, 2018 (BR) 30 2018 002589

(51) **LOC (12) Cl.** **09-01**

(52) **U.S. Cl.**
USPC **D9/724**

(58) **Field of Classification Search**
USPC D9/549, 551, 558, 559, 723, 724, 726;
D7/300, 312; D24/197
CPC B05B 11/3059; B05B 11/0027; B05B
11/0032; B05B 11/3004; B05B 11/3015;
B05B 11/306; B05B 11/3064
See application file for complete search history.

(56) **References Cited**

U.S. PATENT DOCUMENTS

D465,152 S * 11/2002 Kaufman D9/529
D496,279 S * 9/2004 Hama D9/529
D784,162 S * 4/2017 Villarreal D9/724
D808,822 S * 1/2018 Villarreal D9/724
D825,657 S * 8/2018 Baylis D19/66

2006/0108247 A1* 5/2006 Liechty A45D 34/042
206/385
2013/0067672 A1* 3/2013 Kozlowski A45D 34/04
15/210.1
2015/0101630 A1* 4/2015 Kodama A45D 19/02
132/200
2015/0223584 A1* 8/2015 Hwang A45D 34/042
401/137
2016/0166564 A1* 6/2016 Myers A61M 37/00
514/343
2017/0157377 A1* 6/2017 Chang A45D 34/04
2018/0116369 A1* 5/2018 Byun A45D 34/04

* cited by examiner

Primary Examiner — Lauren R Calve

(74) *Attorney, Agent, or Firm* — B. Aaron Schulman,
Esq.; Stites & Harbison, PLLC

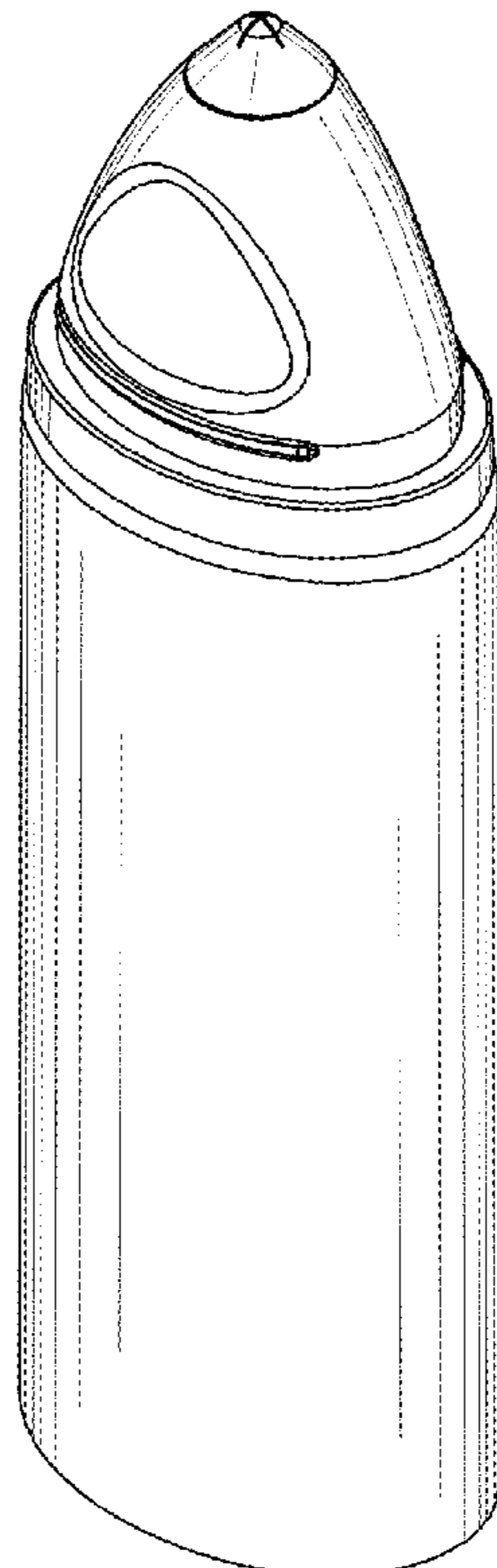
(57) **CLAIM**

The ornamental design for a packaging, as shown and described.

DESCRIPTION

FIG. 1 is an upper perspective view of a packaging showing the new design;
FIG. 2 is a lower perspective view thereof;
FIG. 3 is a front view thereof;
FIG. 4 is a left side view thereof;
FIG. 5 is a right side view thereof;
FIG. 6 is a top view thereof;
FIG. 7 is a bottom view thereof; and,
FIG. 8 is a back view thereof.

1 Claim, 6 Drawing Sheets



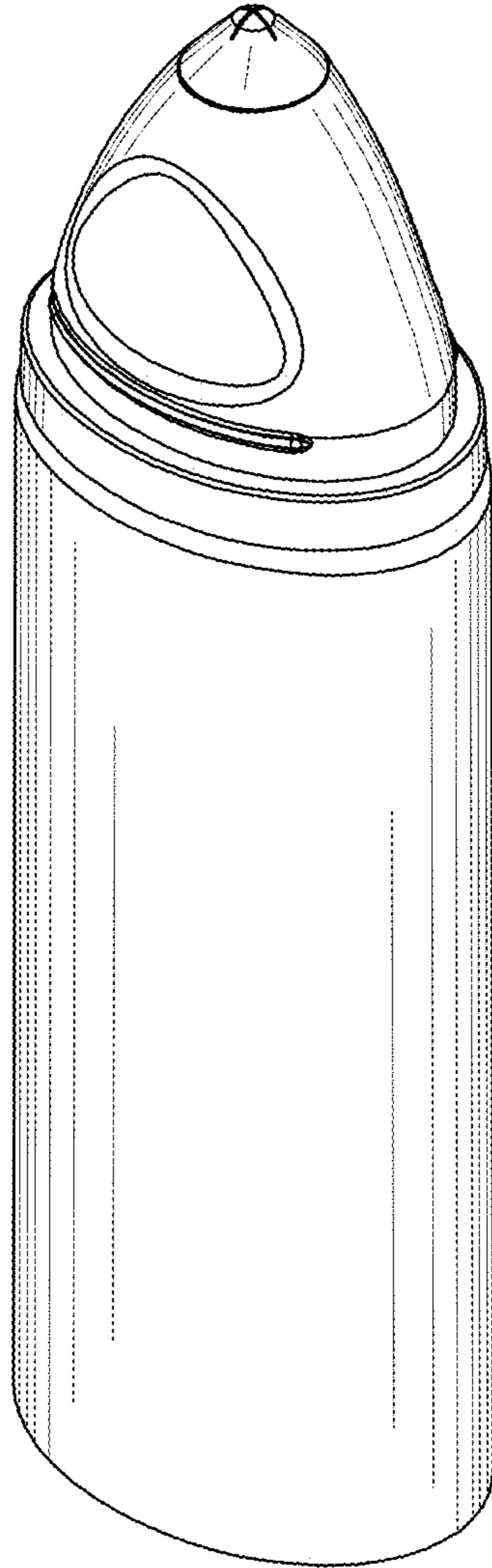


FIG. 1

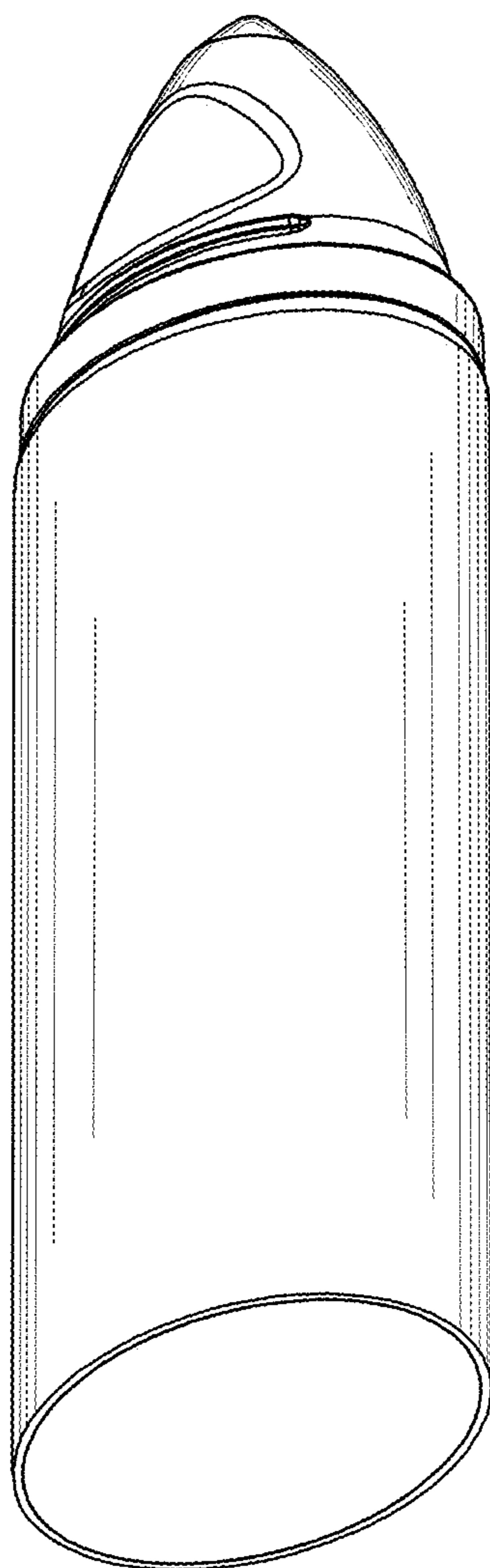


FIG. 2

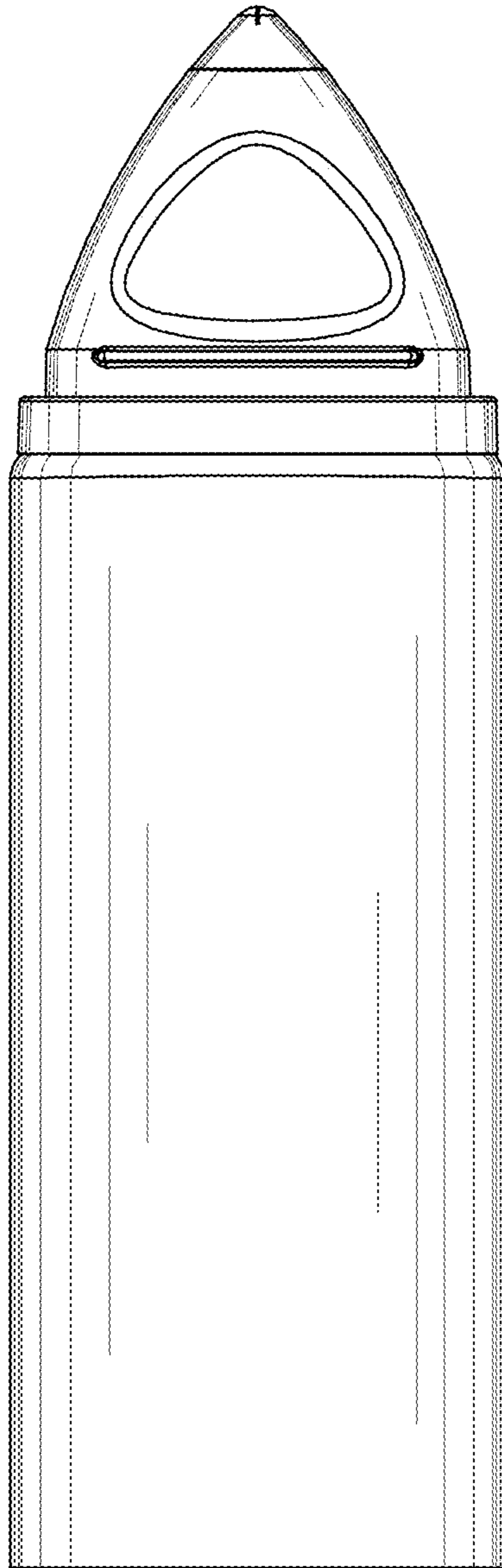


FIG. 3

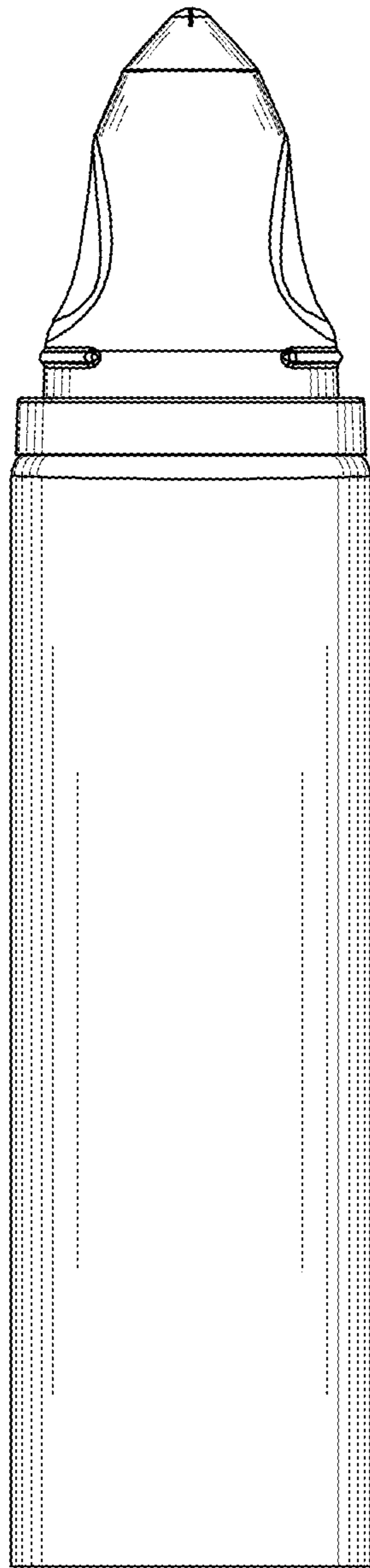


FIG. 4

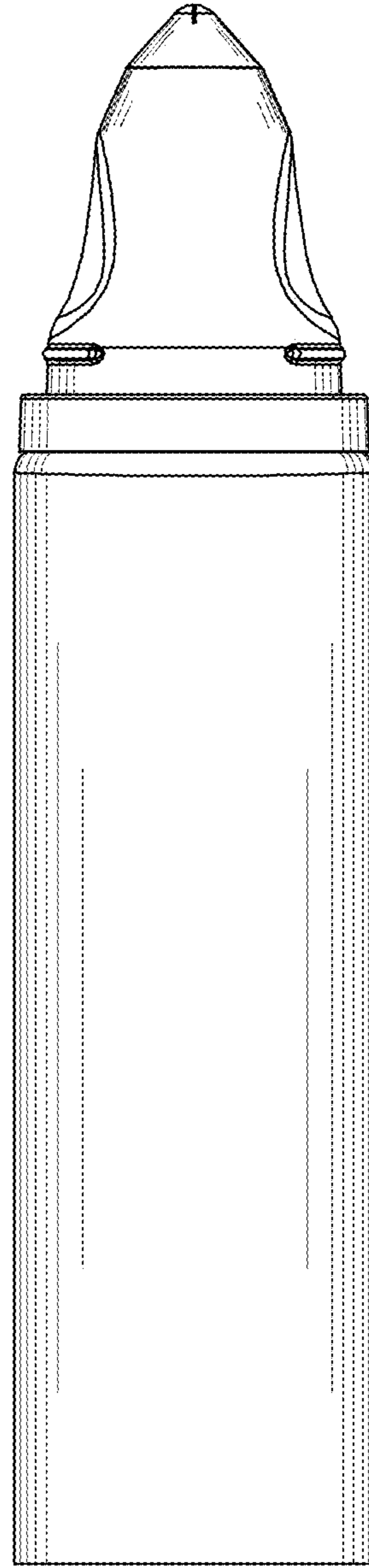


FIG. 5

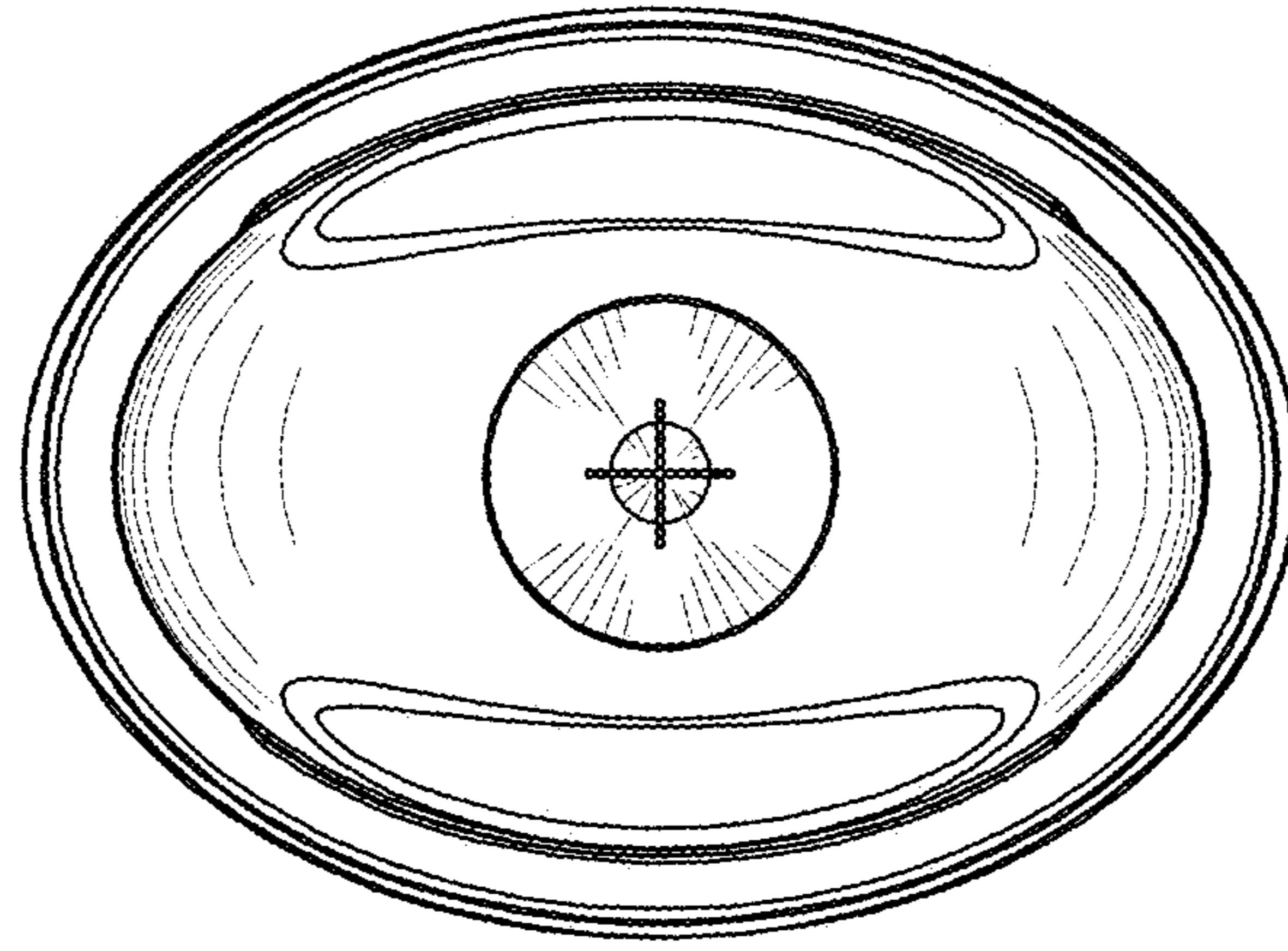


FIG. 6

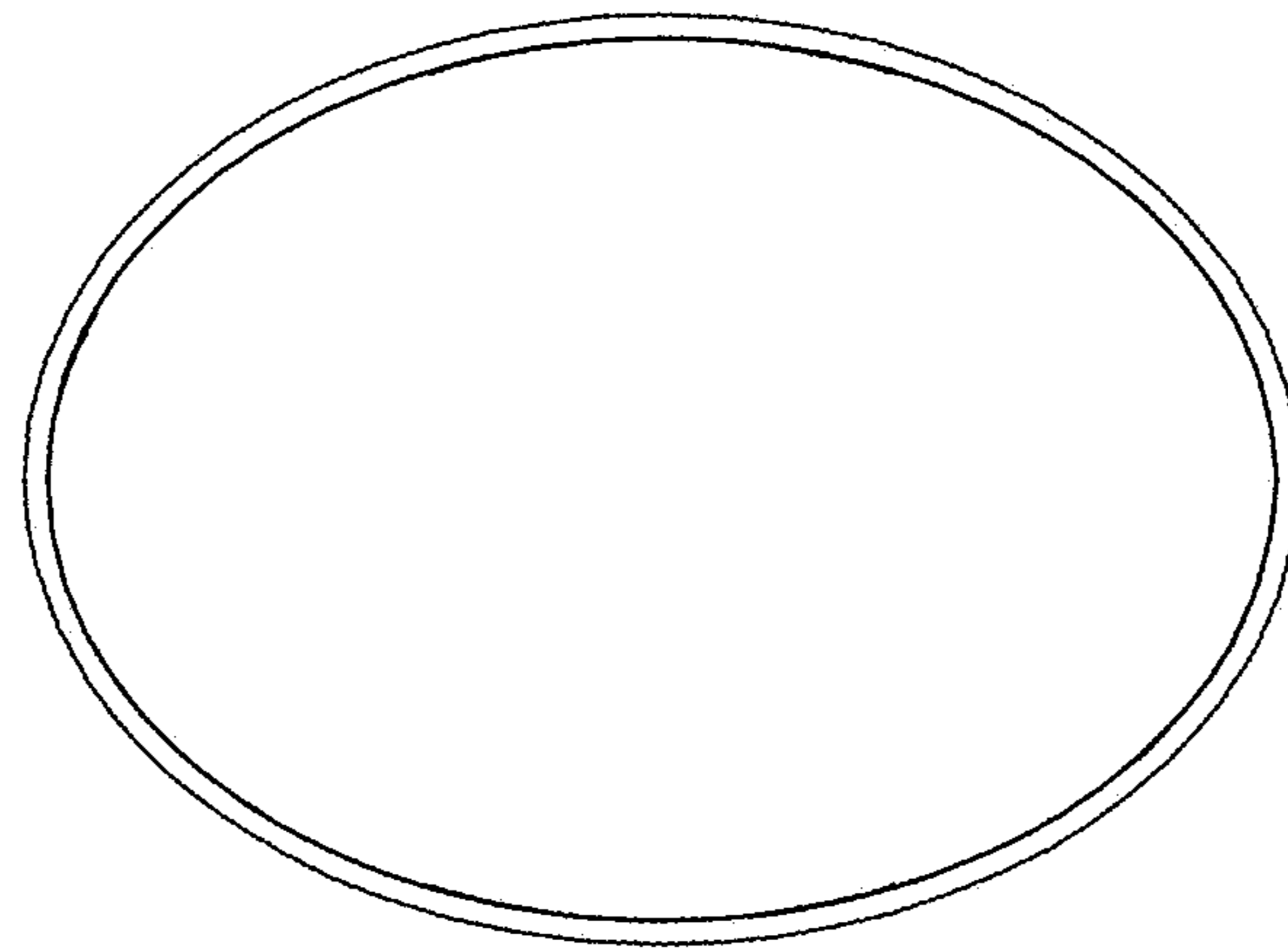


FIG. 7

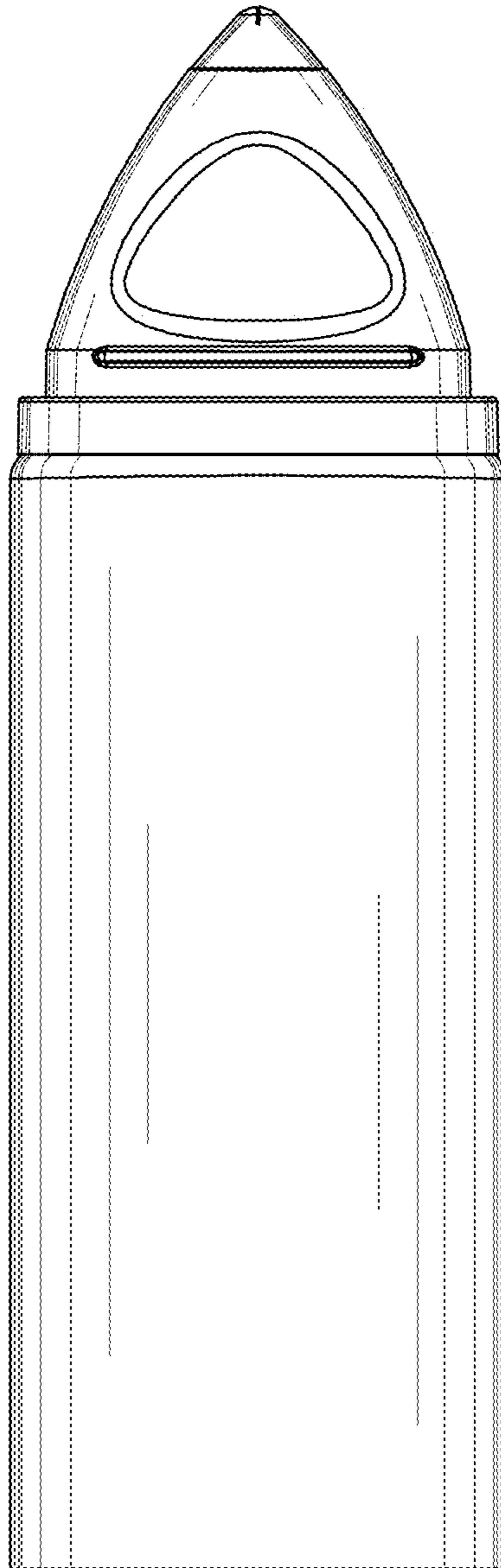


FIG. 8