



US00D892629S

(12) **United States Design Patent**
Zhang

(10) **Patent No.:** **US D892,629 S**

(45) **Date of Patent:** **** Aug. 11, 2020**

(54) **TOOTHPASTE BOTTLE**

(71) Applicant: **Haozhong Zhang**, Shantou (CN)

(72) Inventor: **Haozhong Zhang**, Shantou (CN)

(**) Term: **15 Years**

(21) Appl. No.: **29/733,153**

(22) Filed: **Apr. 30, 2020**

(51) **LOC (12) Cl.** **09-01**

(52) **U.S. Cl.**

USPC **D9/690**; D9/904; D6/542

(58) **Field of Classification Search**

USPC D9/644–647, 668, 682–694, 500–505,
D9/519, 520, 448, 904; D6/542

CPC A47K 5/00–1218; B65D 1/0223; B65D
1/0261; B65D 1/09; B65D 1/095; B05B
11/00–3098; A45D 34/00; A45D 34/02;
A45D 2034/007; A45D 40/00; A45D
2040/0012; A45D 2200/00–057

See application file for complete search history.

(56) **References Cited**

U.S. PATENT DOCUMENTS

125,602	A *	4/1872	McGraw	215/40
D69,766	S *	3/1926	Miller	D9/505
2,915,251	A *	12/1959	North, Jr.	B65D 83/32 239/302
5,743,440	A *	4/1998	De Laforcade	B05B 11/0037 222/209
5,915,600	A *	6/1999	Bitton	B05B 11/0005 222/464.1
D417,993	S *	12/1999	Mahlmann	D6/542
D434,984	S *	12/2000	Wadsworth	D9/448
D436,863	S *	1/2001	Wadsworth	D9/448
D460,348	S *	7/2002	Crawford	D9/549
D477,991	S *	8/2003	Dretzka	D6/542
D548,091	S *	8/2007	Dalton	D9/452

D569,263	S *	5/2008	Bradley	D9/691
D586,167	S *	2/2009	Trotzig	D6/542
D596,489	S *	7/2009	Weiss	D9/519
D603,706	S *	11/2009	Wolff	D9/500
D642,479	S *	8/2011	Azar	D9/668
D656,839	S *	4/2012	Shaw	D9/682
D663,619	S *	7/2012	Pillet	D9/452
D711,247	S *	8/2014	Sanders	D9/519
D739,730	S	9/2015	Marotti		
2006/0006198	A1 *	1/2006	Lasserre	B05B 11/3014 222/383.1
2006/0249530	A1 *	11/2006	Ho	A63H 23/10 222/39
2016/0175867	A1 *	6/2016	Kassebaum	B05B 11/3001 424/49
2016/0310977	A1 *	10/2016	Arvanitidoou	B05B 11/3001
2019/0191936	A1 *	6/2019	Aoyama	B05B 7/0037

* cited by examiner

Primary Examiner — Catherine A Tuttle

(74) *Attorney, Agent, or Firm* — ZANIP

(57) **CLAIM**

The ornamental design for a toothpaste bottle, as shown and described.

DESCRIPTION

FIG. 1 is a front and top perspective view of a toothpaste bottle, showing my new design;
 FIG. 2 is a rear and bottom perspective view thereof;
 FIG. 3 is a front elevational view thereof;
 FIG. 4 is a rear elevational view thereof;
 FIG. 5 is a left side elevational view thereof;
 FIG. 6 is a right side elevational view thereof;
 FIG. 7 is a top plan view thereof; and,
 FIG. 8 is a bottom plan view thereof.
 The broken lines in the figures illustrate portions of the article that form no part of the claimed design.

1 Claim, 8 Drawing Sheets

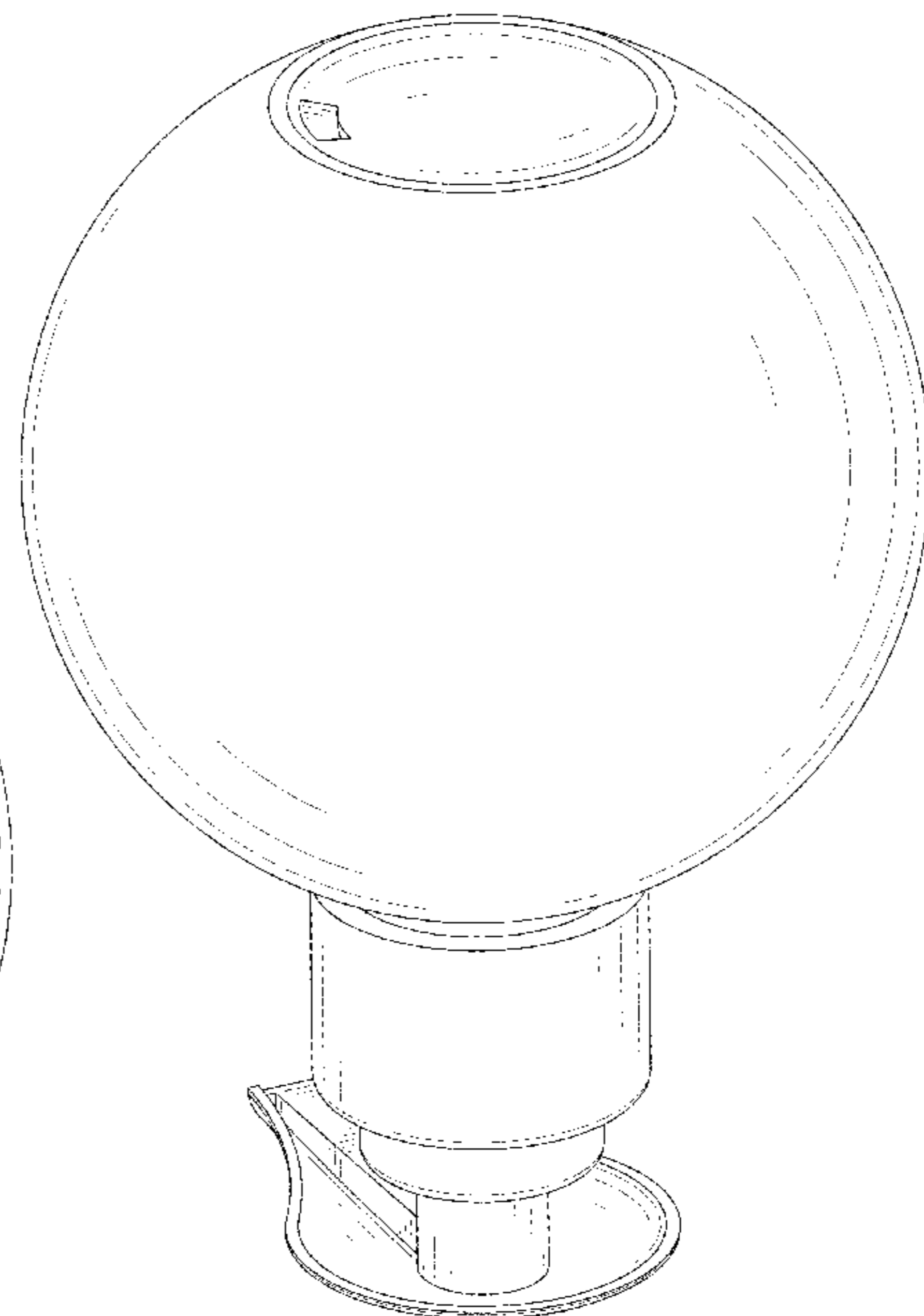
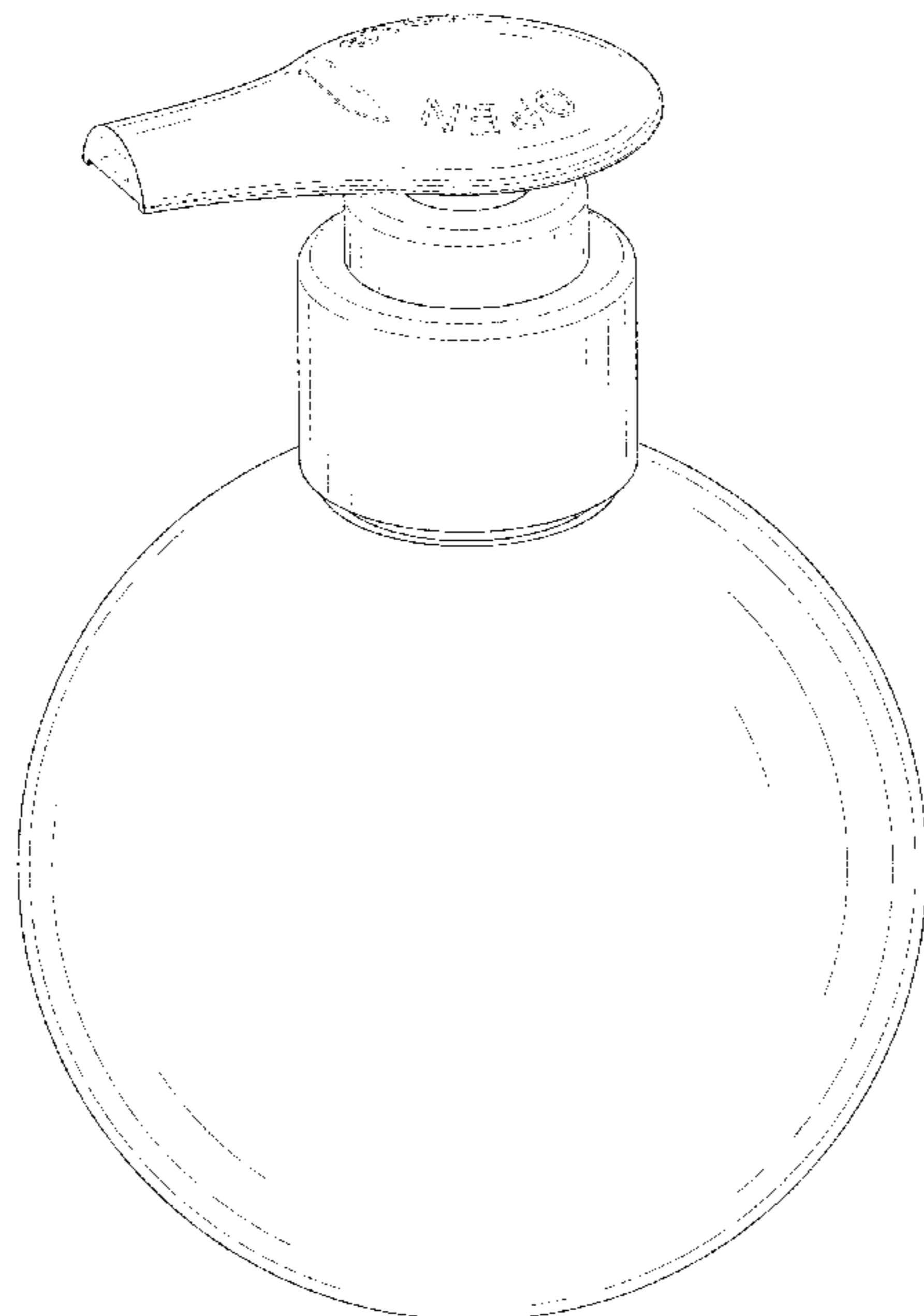




FIG. 1

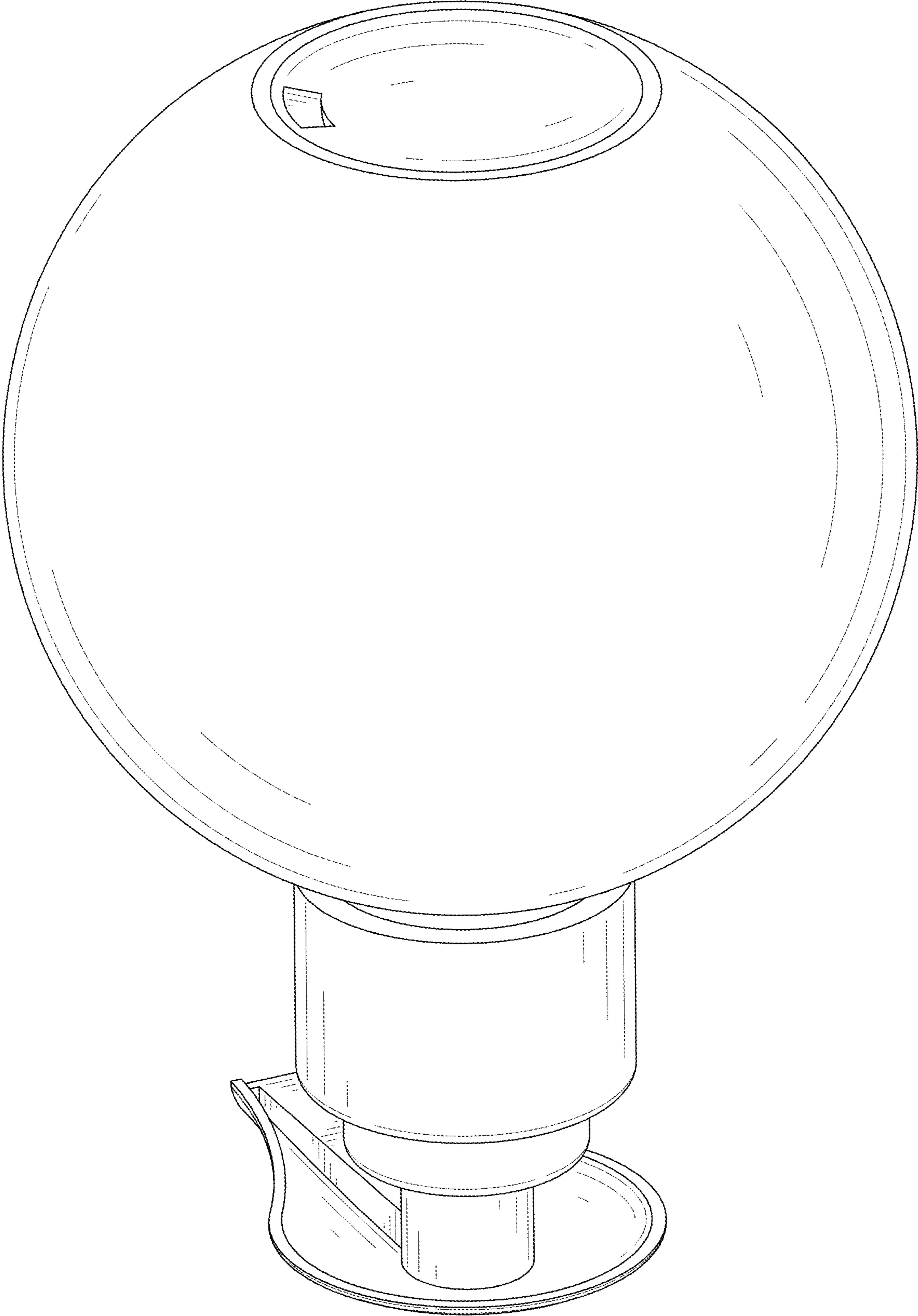


FIG. 2

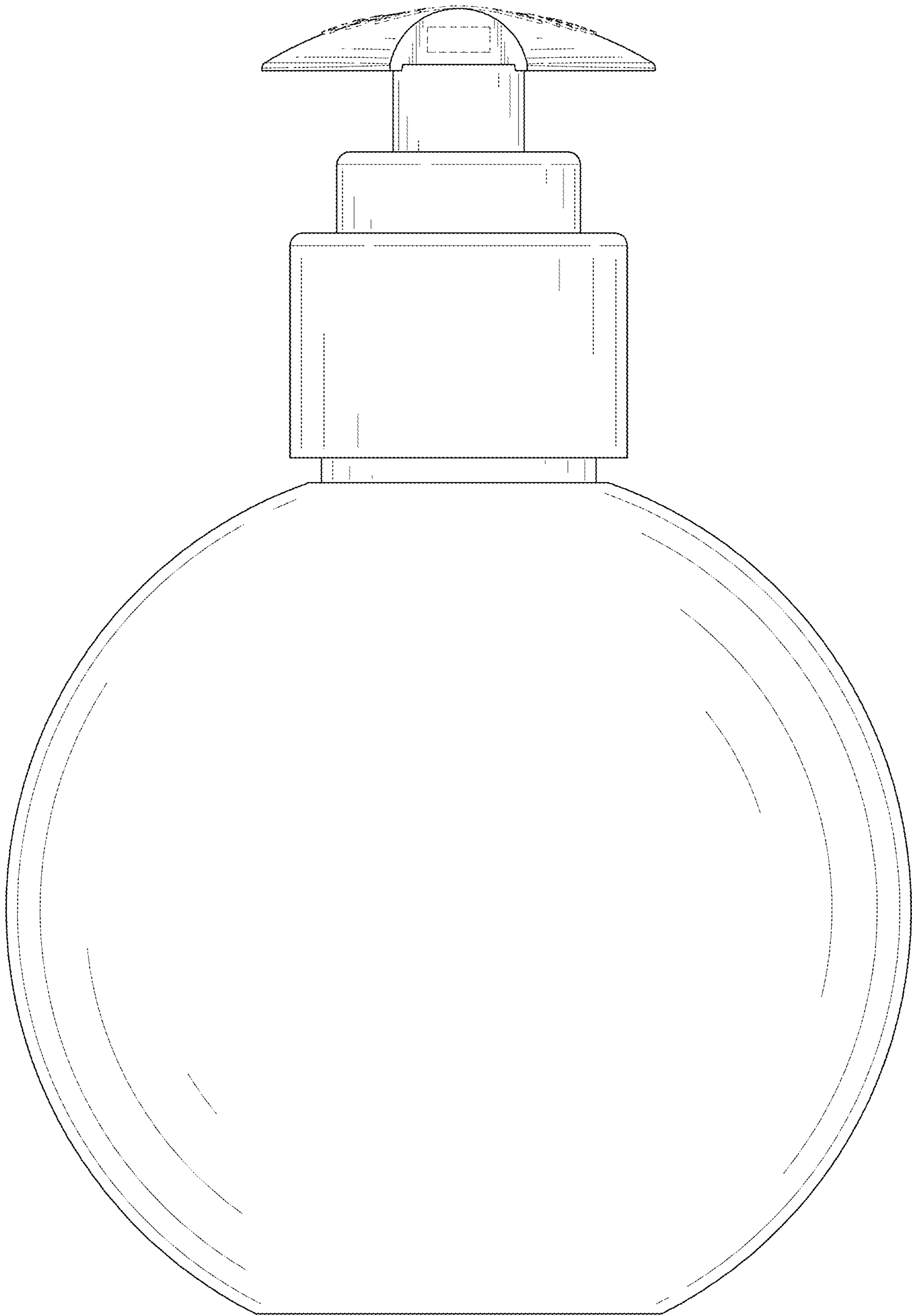


FIG. 3

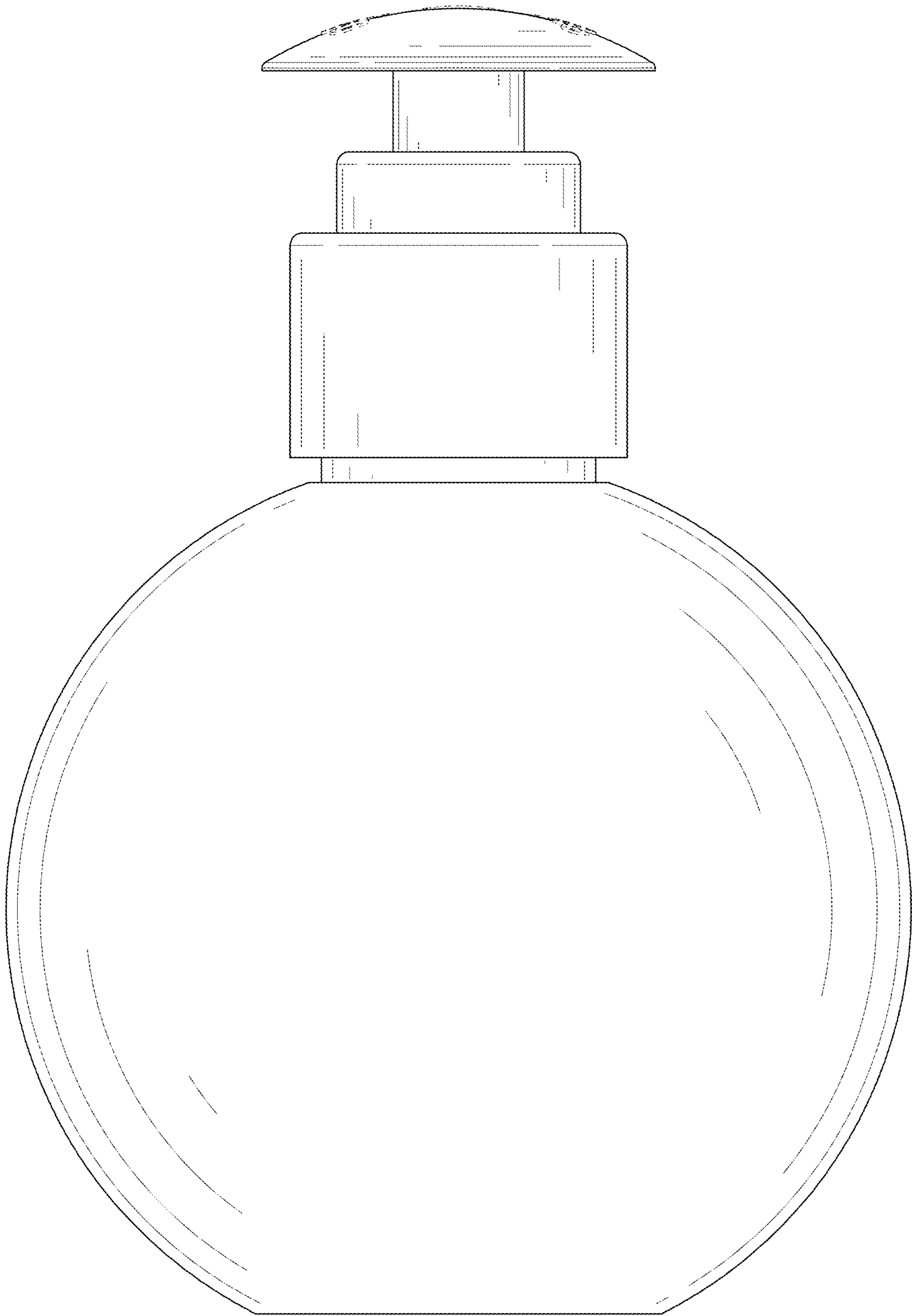


FIG. 4



FIG. 5

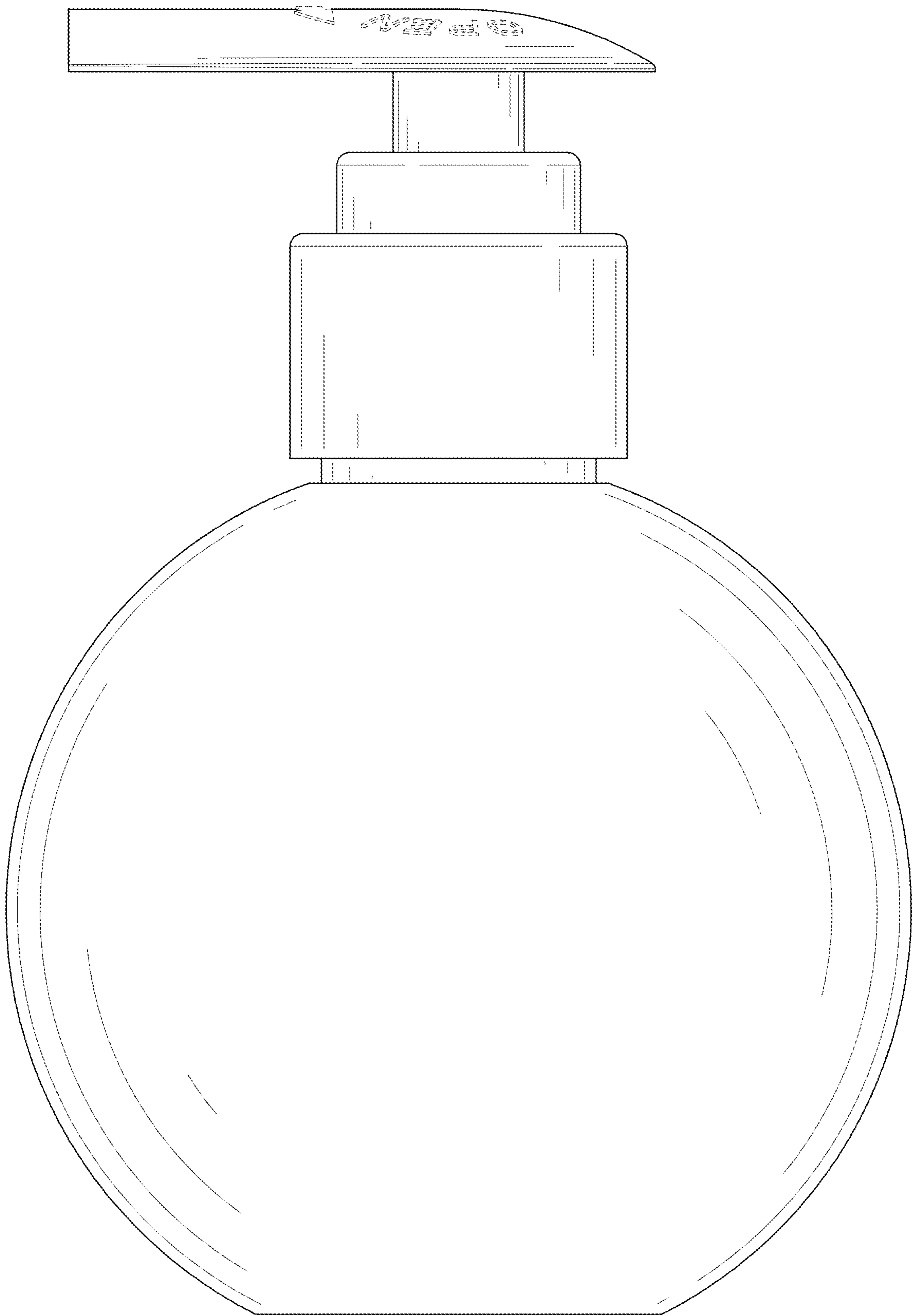


FIG. 6



FIG. 7

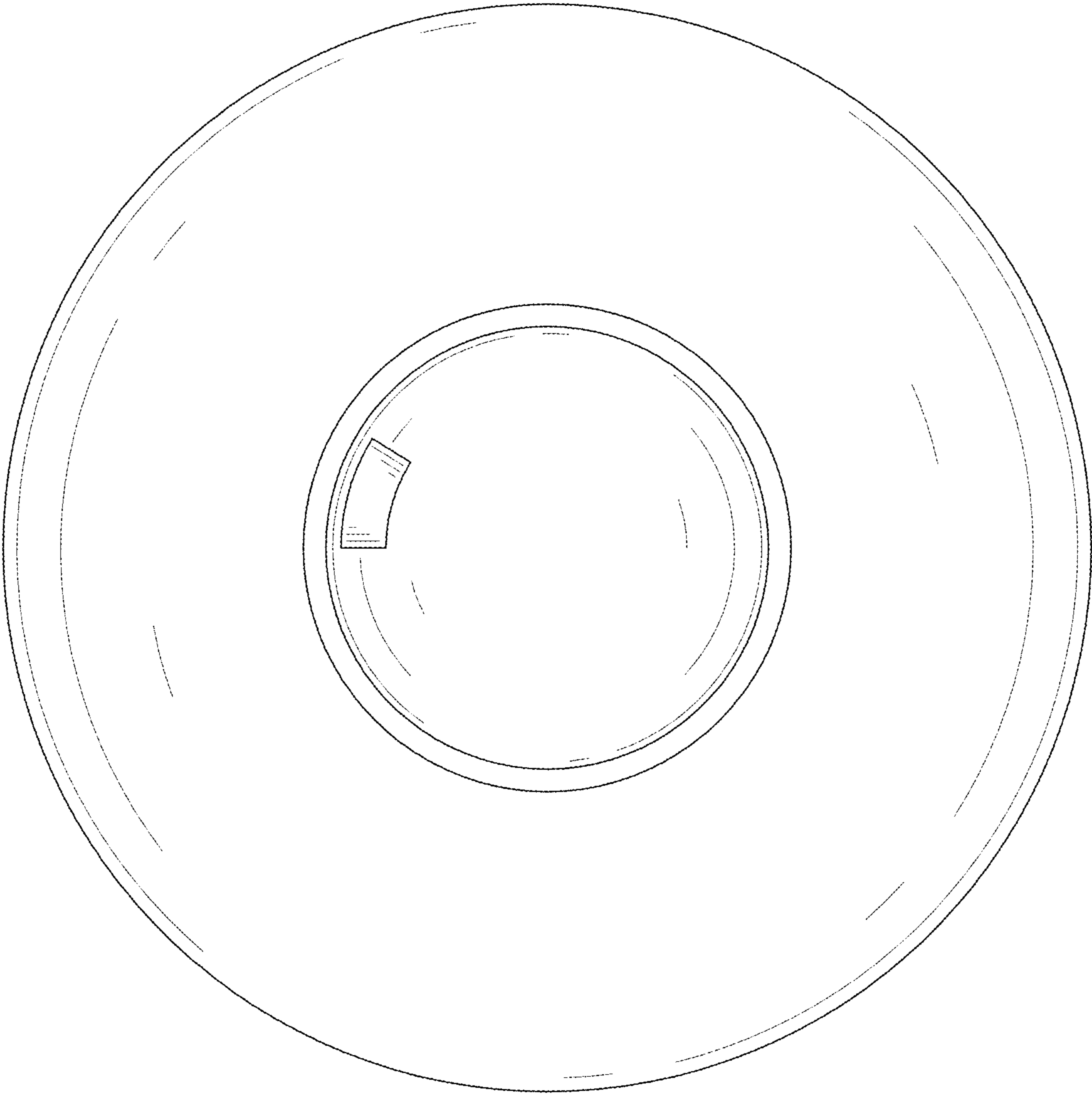


FIG. 8