

US00D892628S

(12) **United States Design Patent** (10) **Patent No.:** **US D892,628 S**
Caruso (45) **Date of Patent:** **** Aug. 11, 2020**

- (54) **AEROSOL CANISTER CASE WITH INDICATION RING**
- (71) Applicant: **Albert P. Caruso**, Tonawanda, NY (US)
- (72) Inventor: **Albert P. Caruso**, Tonawanda, NY (US)
- (**) Term: **15 Years**
- (21) Appl. No.: **29/676,510**
- (22) Filed: **Jan. 11, 2019**
- (51) **LOC (12) Cl.** **09-01**
- (52) **U.S. Cl.**
USPC **D9/688**; D9/682; D9/715
- (58) **Field of Classification Search**
USPC D9/682-694, 435, 436, 444, 445, 448, D9/715, 719, 754, 501, 517, 520, 521
CPC B65D 83/14; B65D 83/16; B65D 83/20; B65D 83/201; B65D 83/205; B65D 83/206; B65D 83/22; B65D 83/38; B65D 83/382; B65D 83/384; B65D 83/386; B65D 83/388; B65D 83/40
See application file for complete search history.

- 4,735,349 A * 4/1988 Diamond B65D 83/205 222/402.1
- D298,740 S * 11/1988 Warrell D9/520
- D317,714 S * 6/1991 Greubel D28/91.1
- 5,027,982 A * 7/1991 Demarest B65D 83/205 222/182
- D335,817 S * 5/1993 Greubel D9/688
- 5,234,140 A * 8/1993 Demarest B01J 7/02 222/394
- 5,366,118 A 11/1994 Ciammitti et al.
- 5,379,924 A 1/1995 Taylor
(Continued)

FOREIGN PATENT DOCUMENTS

- CN 103980592 8/2014
- DE 202011000160 U1 * 4/2012 B65D 83/56
(Continued)

Primary Examiner — Catherine A Tuttle
(74) *Attorney, Agent, or Firm* — Simpson & Simpson, PLLC; Michael Nicholas Vranjes

(57) **CLAIM**

The ornamental design for an aerosol canister case with indication ring, as shown and described.

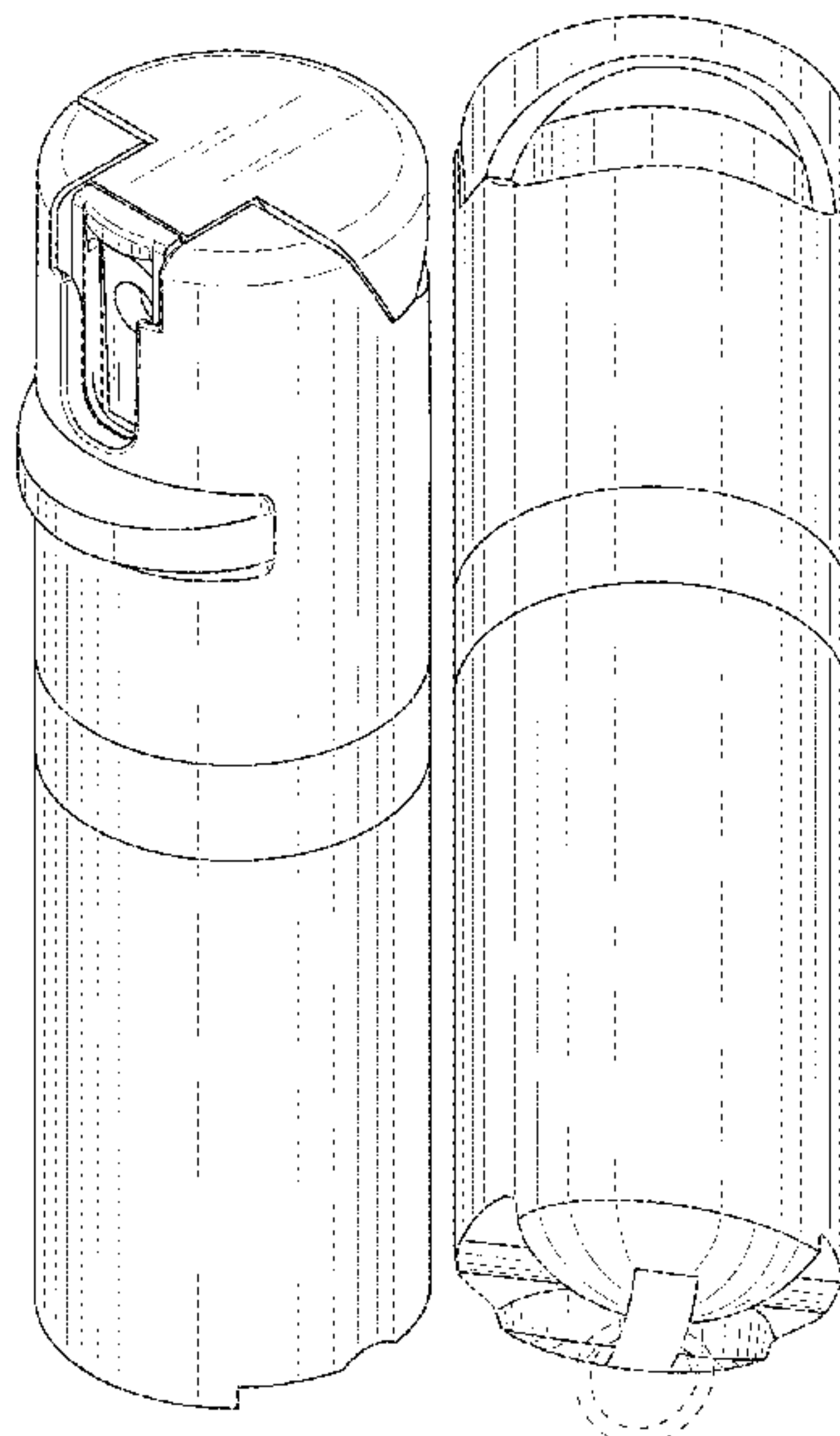
DESCRIPTION

FIG. 1 is a front top perspective view of the aerosol canister case with indication ring showing my new design; FIG. 2 is a rear bottom perspective view thereof; FIG. 3 is a front elevational view thereof; FIG. 4 is a rear elevational view thereof; FIG. 5 is a left side elevational view thereof; FIG. 6 is a right side elevational view thereof; FIG. 7 is a top plan view thereof; and, FIG. 8 is a bottom plan view thereof. The broken lines depicting the connection means are for illustrative purposes only; and form no part of the claimed design.

1 Claim, 7 Drawing Sheets

(56) **References Cited**
U.S. PATENT DOCUMENTS

- 2,908,244 A 10/1959 Clark
- D220,941 S * 6/1971 Usen D9/688
- 3,593,926 A * 7/1971 Kozub B65D 83/205 239/579
- 3,912,131 A * 10/1975 Friedman B65D 83/14 222/402.1
- 3,913,805 A * 10/1975 Sette B65D 83/205 222/402.11
- 3,917,121 A * 11/1975 Ciaffone B65D 83/205 222/146.3
- 4,103,806 A * 8/1978 White B65D 83/40 220/724



(56)

References Cited

U.S. PATENT DOCUMENTS

5,388,730 A * 2/1995 Abbott B65D 83/205
222/153.13
5,458,263 A 10/1995 Ciammitti et al.
5,531,359 A * 7/1996 Winner B65D 83/384
222/153.11
5,556,003 A 9/1996 Johnson et al.
5,709,320 A * 1/1998 Jimenez B05B 11/00
222/153.13
D402,542 S * 12/1998 Meshberg D9/688
6,398,082 B2 6/2002 Clark et al.
6,592,011 B1 * 7/2003 Lammel B65D 83/384
222/153.11
D507,753 S * 7/2005 Lamb D9/504
6,932,246 B2 8/2005 Crosnier et al.
D513,387 S * 1/2006 Limbert D9/600
D533,788 S * 12/2006 Kleiman D9/687
D553,002 S * 10/2007 Petek D9/682
7,922,041 B2 4/2011 Gurrisi et al.
8,556,125 B2 10/2013 Dapper
8,622,256 B2 1/2014 Campbell
8,765,850 B2 7/2014 Iwamoto et al.
8,978,937 B2 3/2015 Chamber et al.
D734,151 S * 7/2015 Herbst D9/448
9,120,606 B2 9/2015 Walter et al.

9,174,229 B2 11/2015 Smith
9,205,618 B2 12/2015 Campbell
D792,764 S * 7/2017 Jacobs D9/448
9,803,954 B2 10/2017 Scarr
9,815,612 B1 * 11/2017 Caruso B65D 83/40
10,479,592 B1 * 11/2019 Caruso B05B 15/62
2006/0081661 A1 * 4/2006 Lasserre B65D 83/22
222/402.1
2008/0029551 A1 2/2008 Lombardi
2010/0206246 A1 8/2010 Waldrep
2011/0303767 A1 12/2011 Smith
2012/0325861 A1 12/2012 Pardonge
2014/0252036 A1 9/2014 Ballard
2015/0097004 A1 * 4/2015 Caruso B65D 83/384
222/153.11
2015/0329252 A1 11/2015 Walter et al.
2015/0344214 A1 12/2015 Yamaguchi et al.
2016/0059247 A1 3/2016 Smith

FOREIGN PATENT DOCUMENTS

GB 1362492 8/1974
GB 2463716 A * 3/2010 B05B 11/3097
JP 20140051586 10/2015
WO WO-2014018498 A1 * 1/2014 B05B 12/0022

* cited by examiner

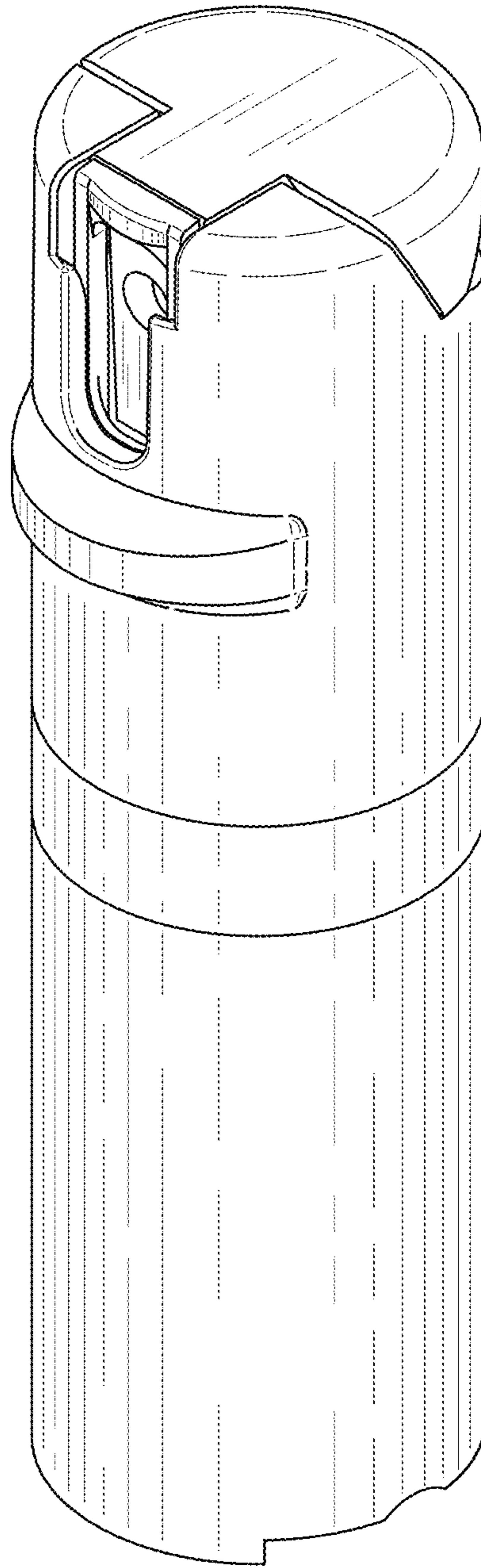


Fig. 1

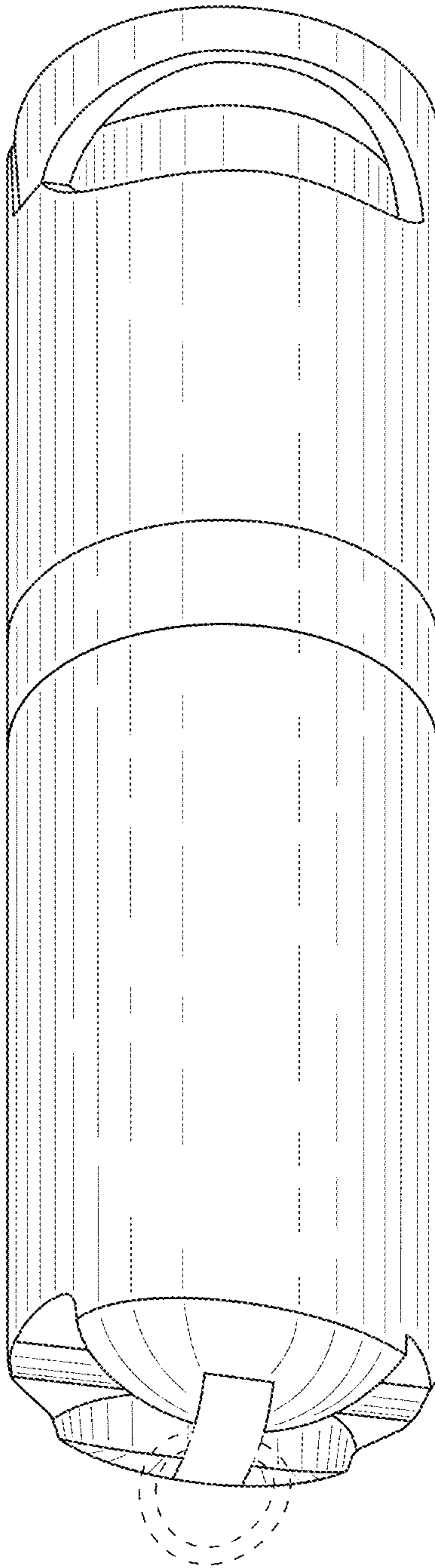


Fig. 2

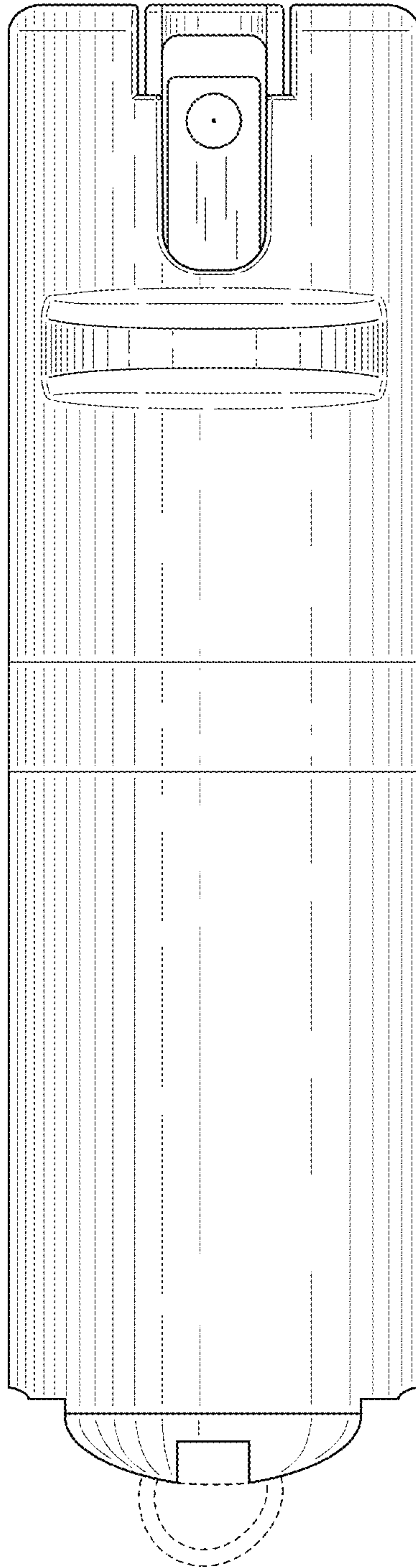


Fig. 3

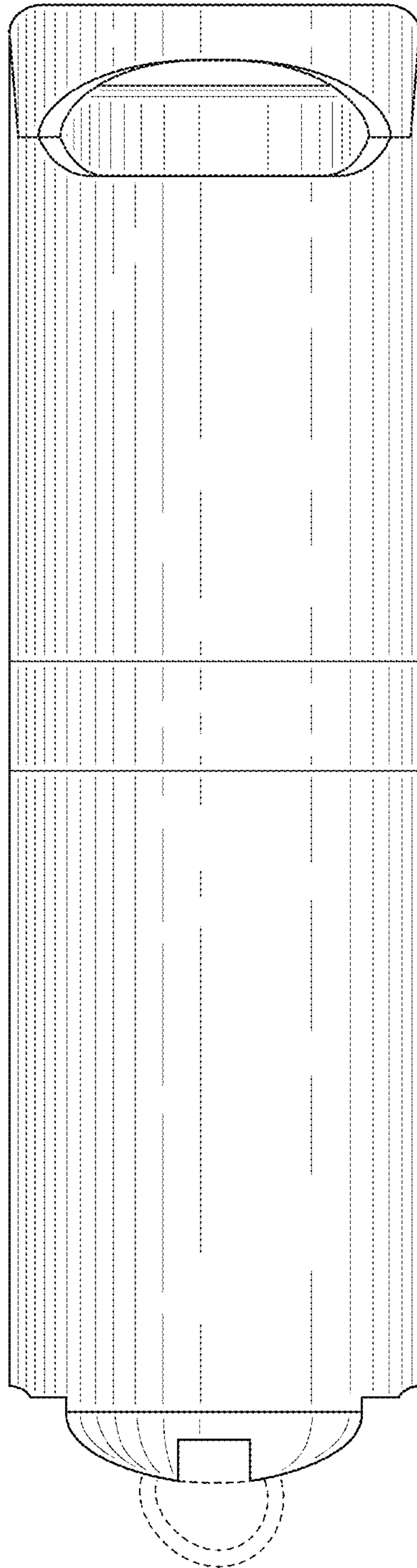


Fig. 4

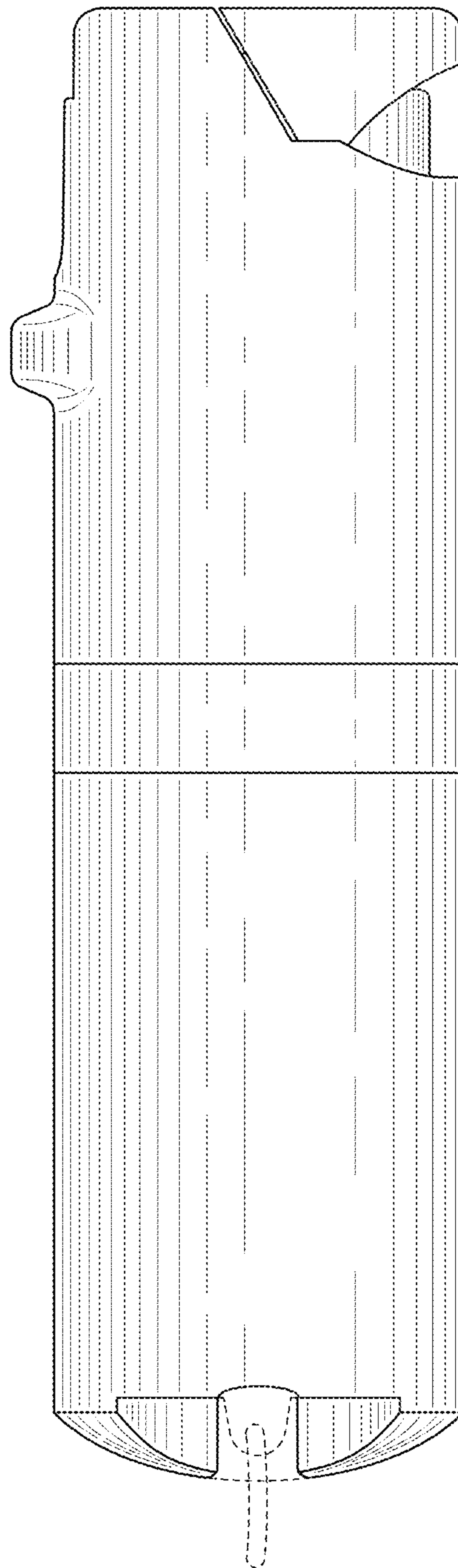


Fig. 5

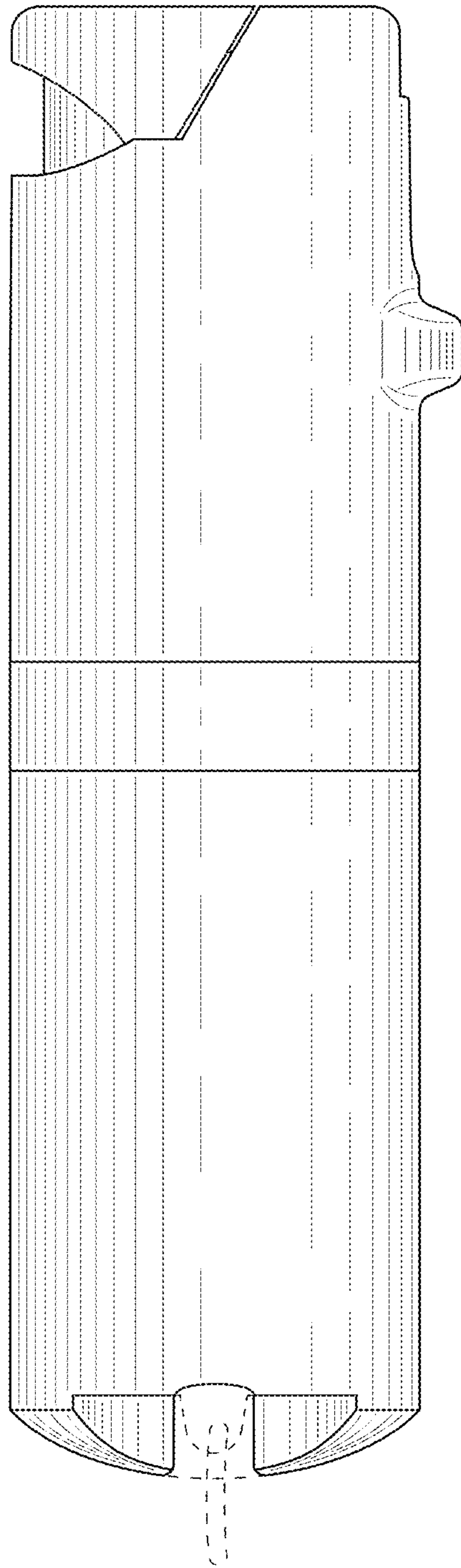


Fig. 6

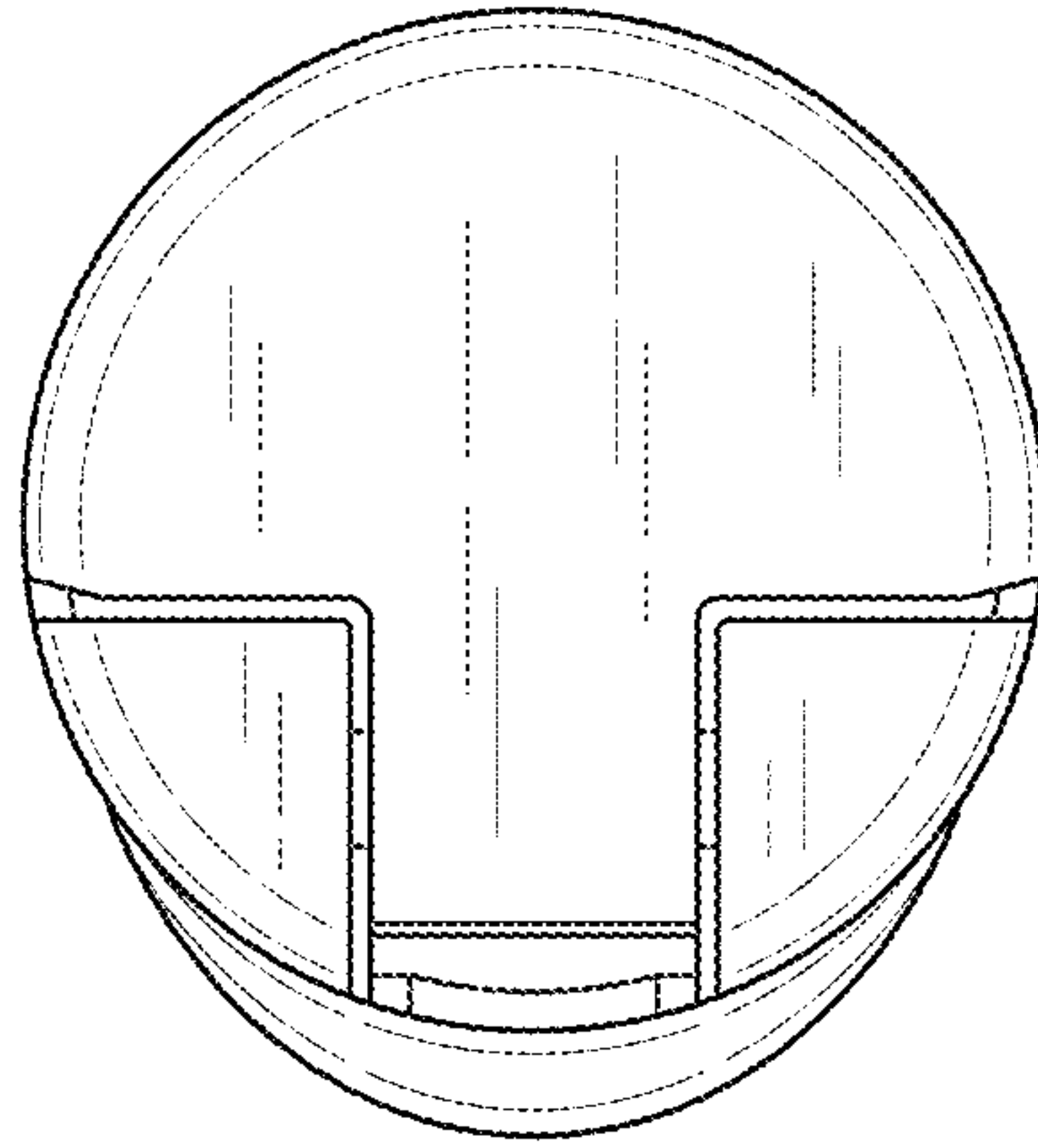


Fig. 7

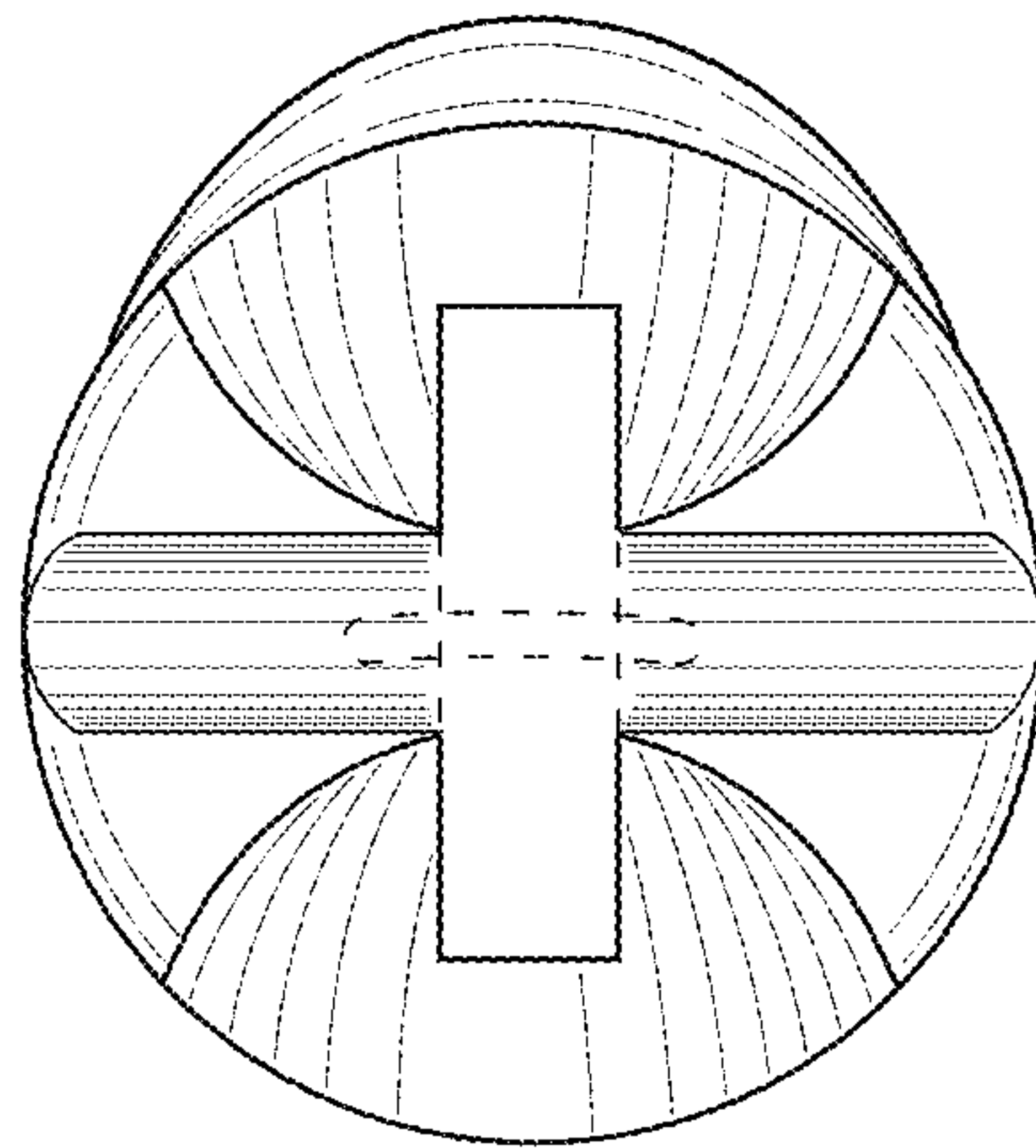


Fig. 8