



US00D892626S

(12) **United States Design Patent** (10) **Patent No.:** **US D892,626 S**
Staab (45) **Date of Patent:** **** Aug. 11, 2020**

(54) **CONTAINER**

- (71) Applicant: **Mary Kay Inc.**, Addison, TX (US)
- (72) Inventor: **Jenny DeMarco Staab**, Addison, TX (US)
- (73) Assignee: **Mary Kay Inc.**, Addison, TX (US)
- (**) Term: **15 Years**
- (21) Appl. No.: **29/674,305**
- (22) Filed: **Dec. 20, 2018**

Related U.S. Application Data

- (62) Division of application No. 29/596,033, filed on Mar. 3, 2017, now Pat. No. Des. 841,472.
- (51) **LOC (12) Cl.** **09-01**
- (52) **U.S. Cl.**
USPC **D9/529**
- (58) **Field of Classification Search**
USPC D9/516, 530, 537, 540, 548, 549, 550,
D9/552, 557, 575; 206/501-509;
220/781, 791, 793, 811-813, 835, 839
CPC B65D 1/24; B65D 25/04; B65D 43/03;
B65D 43/16; B65D 43/0212
See application file for complete search history.

(56) **References Cited**

U.S. PATENT DOCUMENTS

D306,694 S	3/1990	Beier-Rosetti
D308,939 S	7/1990	Desgrippes
D331,539 S	12/1992	Dinand et al.
D342,901 S	1/1994	Joo
D371,970 S	7/1996	Desgrippes
D392,192 S	3/1998	Fiore

(Continued)

FOREIGN PATENT DOCUMENTS

CN	301870998	3/2012
CN	302509435	7/2013

(Continued)

OTHER PUBLICATIONS

“Carla,” ABA Packaging Corporation Catalog (May 2011 ed. p. AII). Bottle. Holtsville, N.Y: 2004. Print.

Primary Examiner — Janice Patyk

(74) *Attorney, Agent, or Firm* — Norton Rose Fulbright US LLP

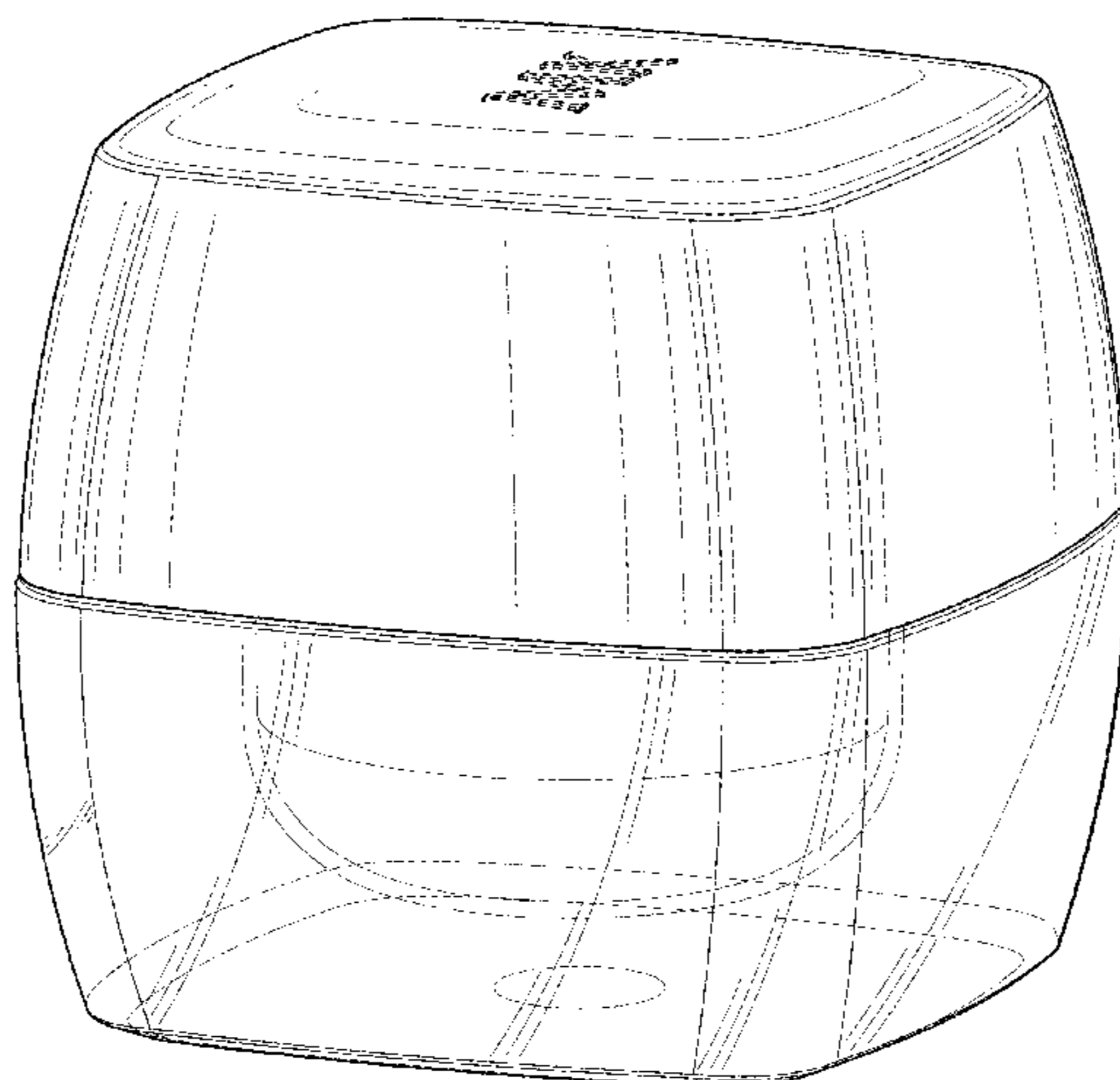
(57) **CLAIM**

The ornamental design for a container, as shown and described.

DESCRIPTION

FIG. 1 is a top perspective view of embodiment one, of a container, showing my new design;
 FIG. 2 is a front view thereof;
 FIG. 3 is a back view thereof;
 FIG. 4 is a right side view thereof;
 FIG. 5 is a left side view thereof;
 FIG. 6 is a top view thereof;
 FIG. 7 is a top perspective view of embodiment two, of a container, showing my new design;
 FIG. 8 is a front view thereof;
 FIG. 9 is a back view thereof;
 FIG. 10 is a right side view thereof;
 FIG. 11 is a left side view thereof;
 FIG. 12 is a top view thereof;
 FIG. 13 is a top perspective view of embodiment three, of a container, showing my new design; and,
 FIG. 14 is a top perspective view of embodiment four, of a container, showing my new design.
 The broken lines in the figures illustrate the portions of the design that form no part of the claimed design.
 The word “MK” in FIGS. 13 and 14 is a trademark of Mary Kay Inc. and forms part of the claimed design only for FIGS. 13 and 14.

1 Claim, 14 Drawing Sheets



(56)

References Cited

U.S. PATENT DOCUMENTS

D432,017 S 10/2000 Alvarado
 D455,965 S 4/2002 De Baschmakoff
 D493,721 S * 8/2004 Puigbo D28/76
 D495,956 S 9/2004 Martinez
 D520,370 S 5/2006 Priestman
 D522,695 S 6/2006 Desdoigts
 D524,161 S 7/2006 Sauer et al.
 D525,526 S 7/2006 Abbott et al.
 D531,041 S 10/2006 Sauer et al.
 D540,688 S 4/2007 Lascaux
 D540,689 S 4/2007 Dorfmuller
 D547,193 S 7/2007 Blasko et al.
 D547,661 S 7/2007 Blasko et al.
 D558,579 S 1/2008 Blasko et al.
 D559,690 S 1/2008 Canamasas Puigbo
 D559,691 S 1/2008 Canamasas Puigbo
 D562,142 S 2/2008 Bunce et al.
 D570,221 S 6/2008 Moretti
 D581,279 S 11/2008 Oates
 D582,283 S 12/2008 O'Donahue
 D584,950 S 1/2009 Courtaigne Delalande
 D595,136 S 6/2009 Canamas Puigbo
 D595,144 S 6/2009 Canamasas Puigbo
 D598,297 S 8/2009 Rica
 D603,266 S 11/2009 Dibnah et al.
 D604,605 S * 11/2009 Chung D9/432
 D611,354 S 3/2010 Usui et al.
 D613,168 S 4/2010 Rowland et al.

D615,867 S 5/2010 Sagaseki et al.
 D615,868 S 5/2010 Rodriguez et al.
 D620,368 S 7/2010 Pedersen
 D640,925 S 7/2011 Rodriguez et al.
 D641,245 S 7/2011 Rodriguez et al.
 D645,350 S 9/2011 Degeyter et al.
 D645,749 S * 9/2011 Lee D9/454
 D654,799 S 2/2012 Liu
 D656,029 S 3/2012 Nagata
 D659,002 S 5/2012 Jebb et al.
 D659,004 S 5/2012 McCoy
 D659,005 S 5/2012 McCoy
 D663,524 S * 7/2012 Penttinen D3/273
 D674,698 S 1/2013 Mongeon et al.
 D702,555 S 4/2014 Park
 D710,205 S 8/2014 Moretti
 D729,067 S 5/2015 Behar et al.
 D734,550 S * 7/2015 Schlatter D28/83
 D739,741 S 9/2015 Staab
 D742,593 S 11/2015 Corey et al.
 D768,937 S * 10/2016 Yoshida D28/83
 D787,895 S * 5/2017 Kilduff D7/629

FOREIGN PATENT DOCUMENTS

CN	302838270	6/2014
CN	302887266	7/2014
CN	303560413	1/2016
KR	300639648	4/2012
KR	300753547	7/2014

* cited by examiner

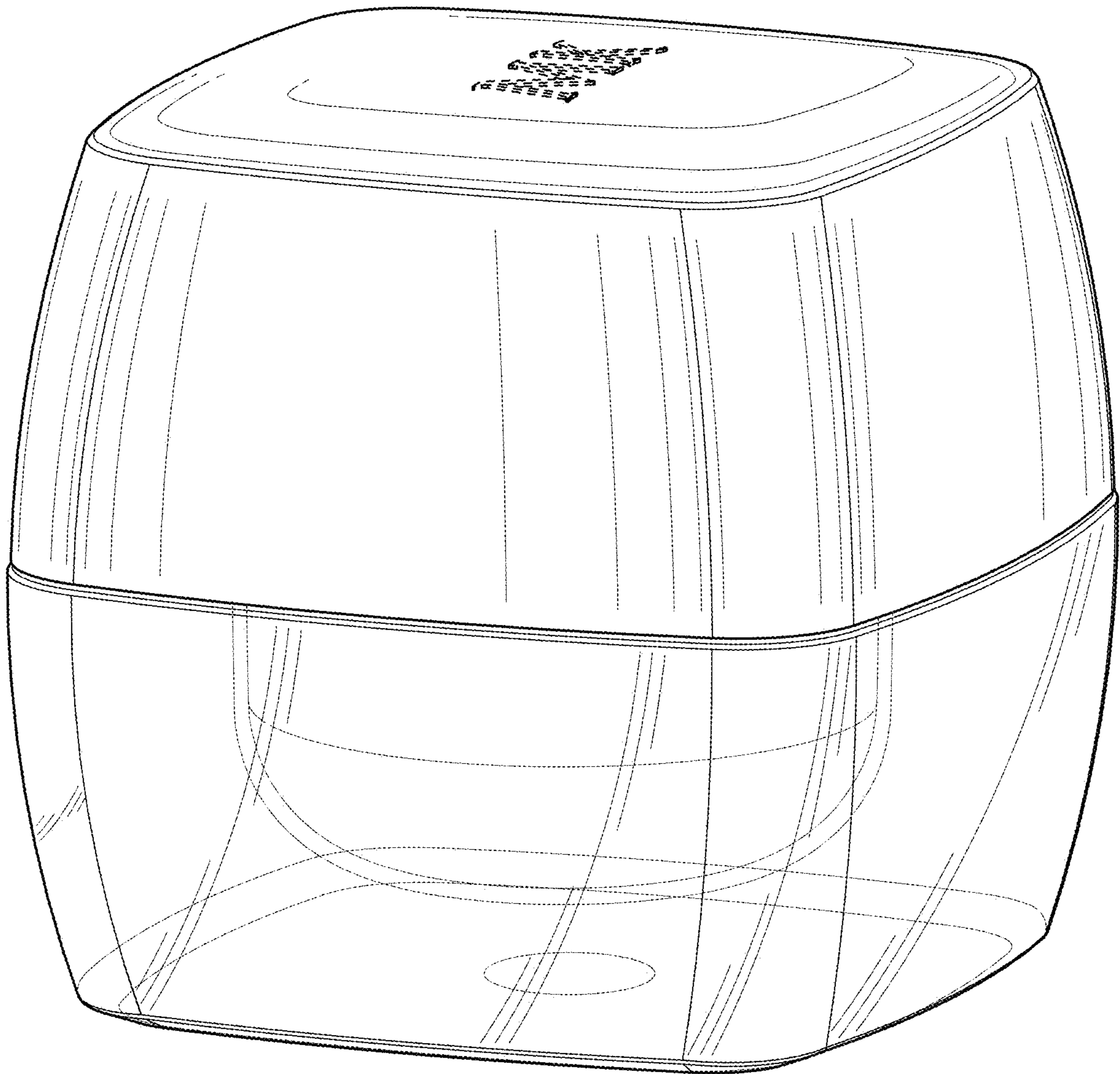


FIG. 1

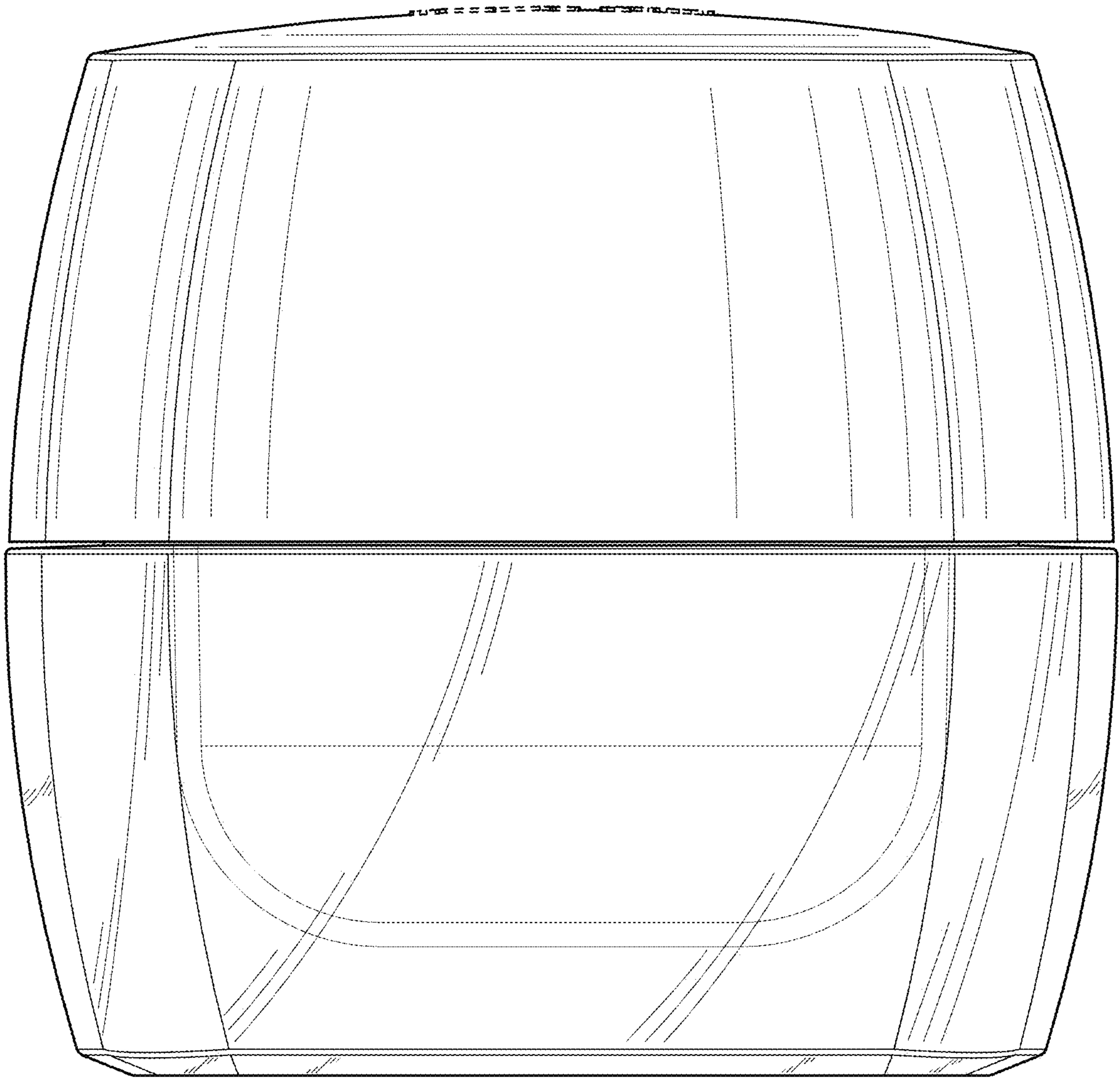


FIG. 2

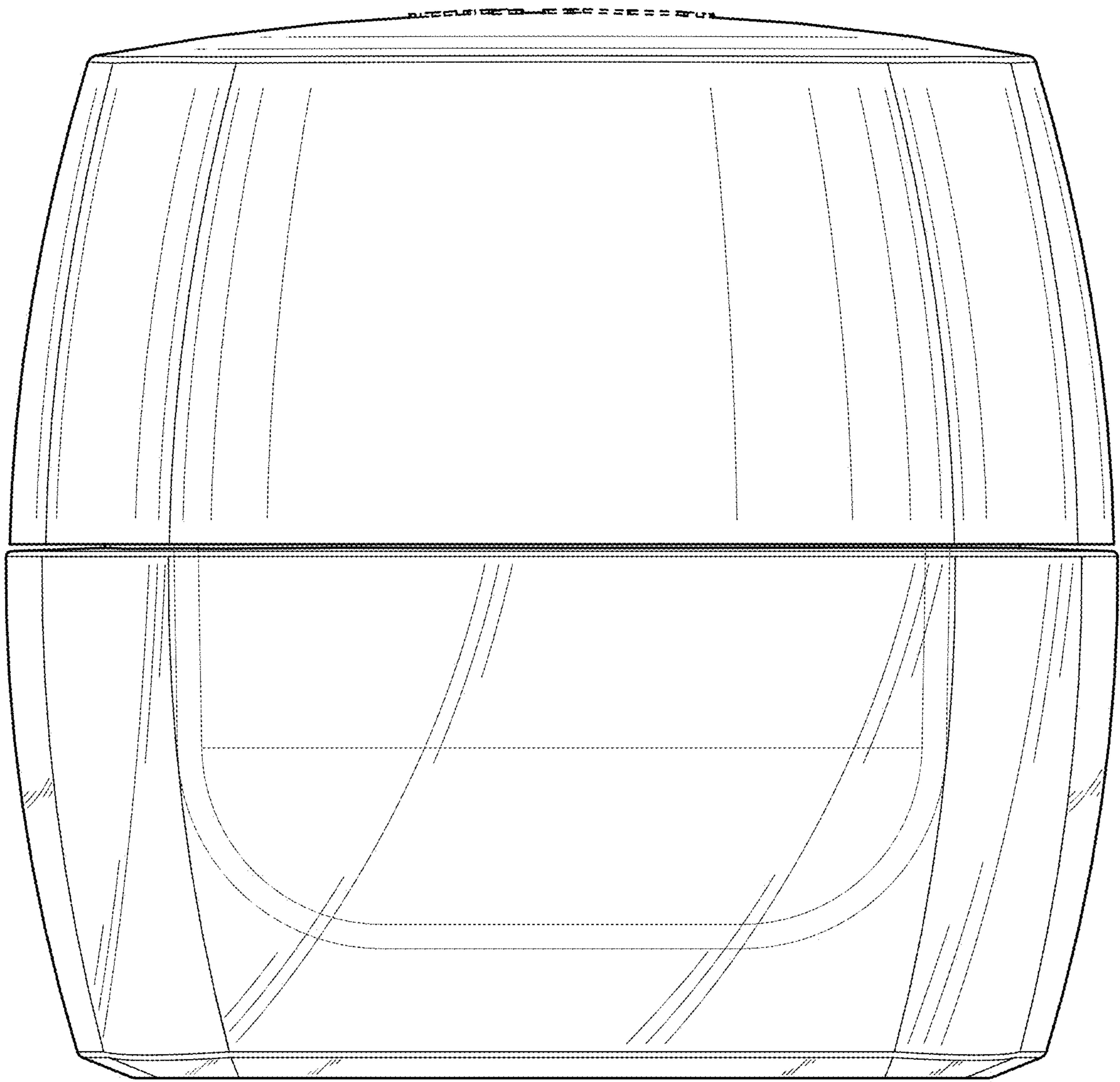


FIG. 3

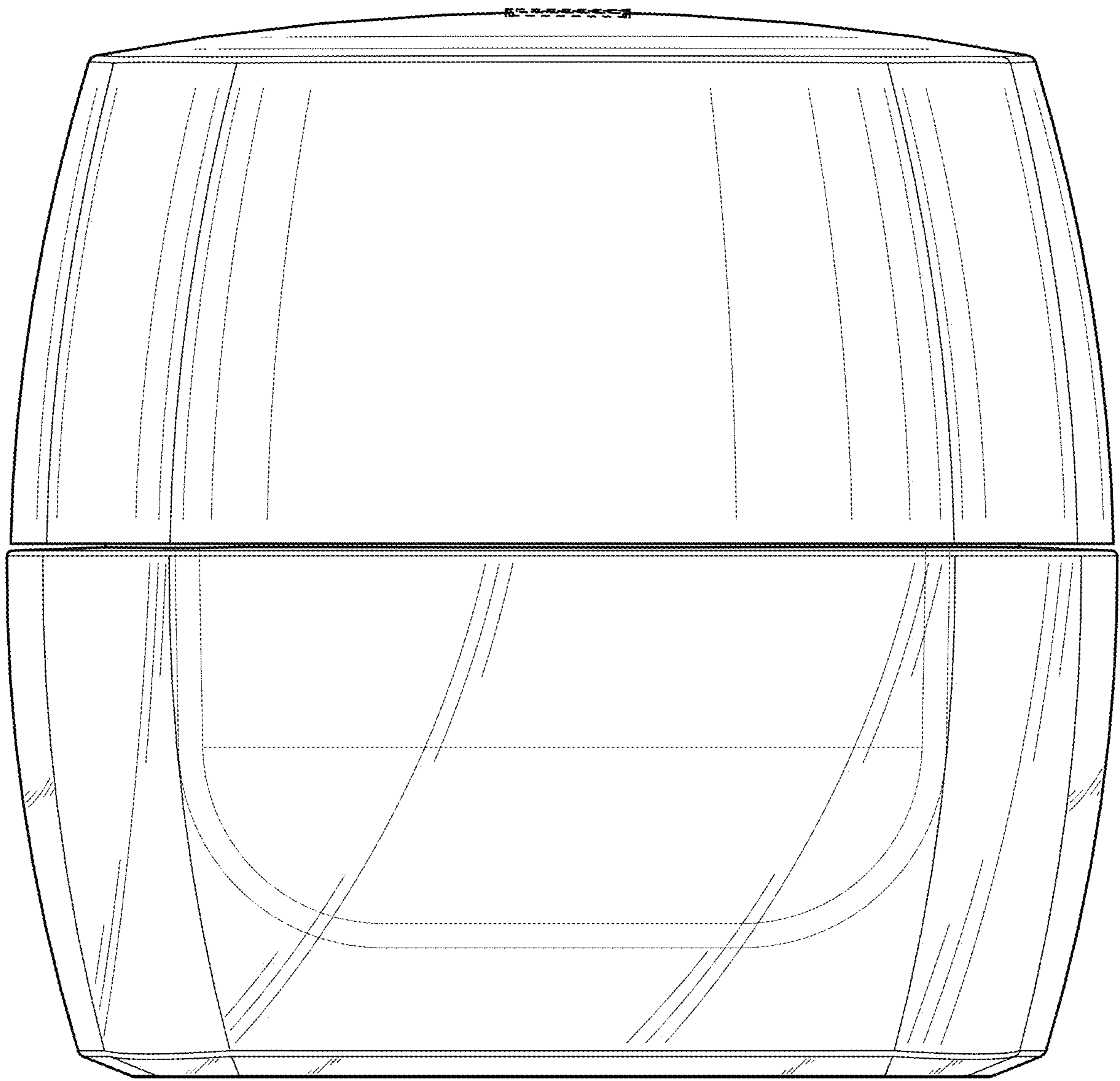


FIG. 4

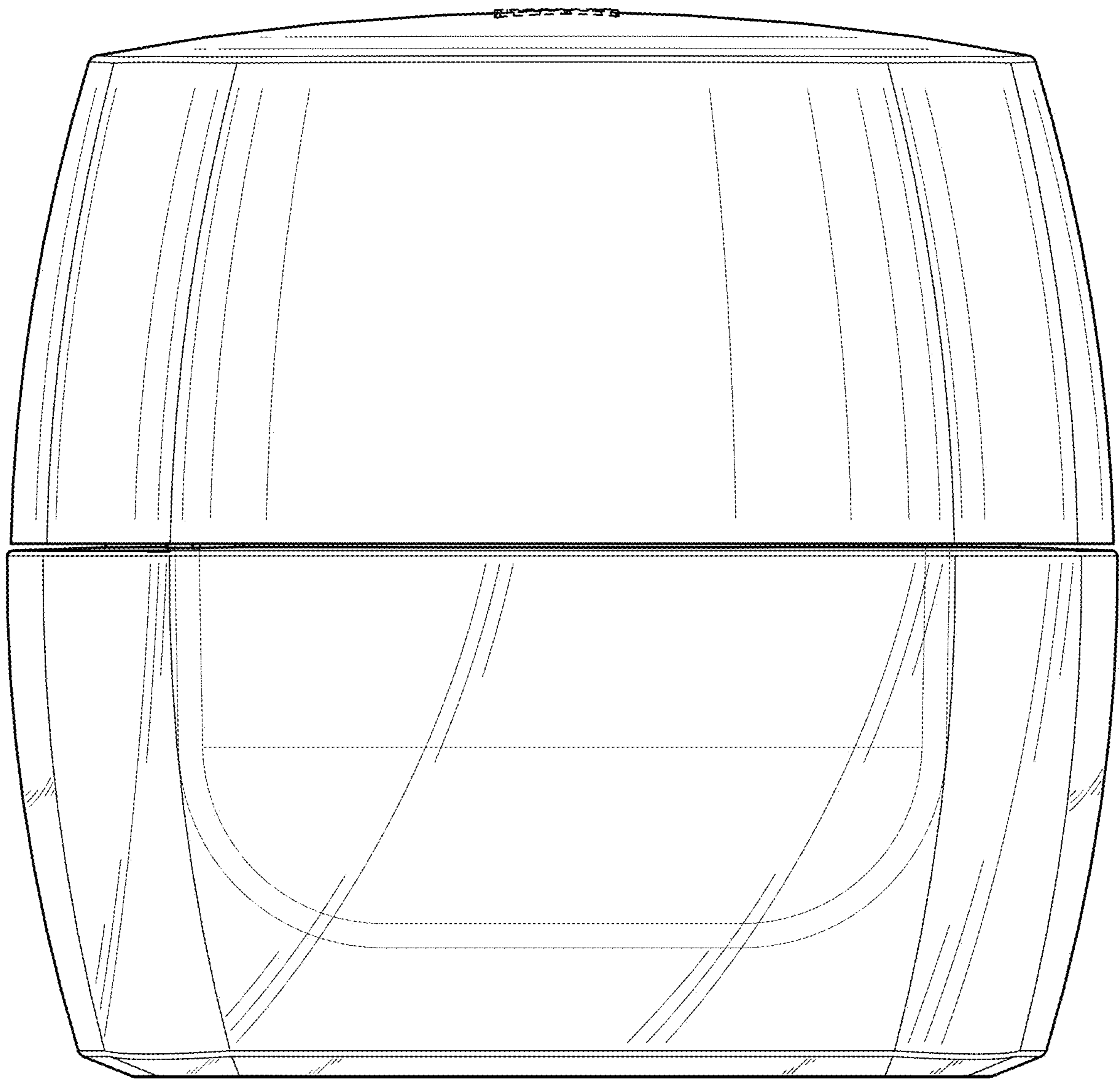


FIG. 5



FIG. 6

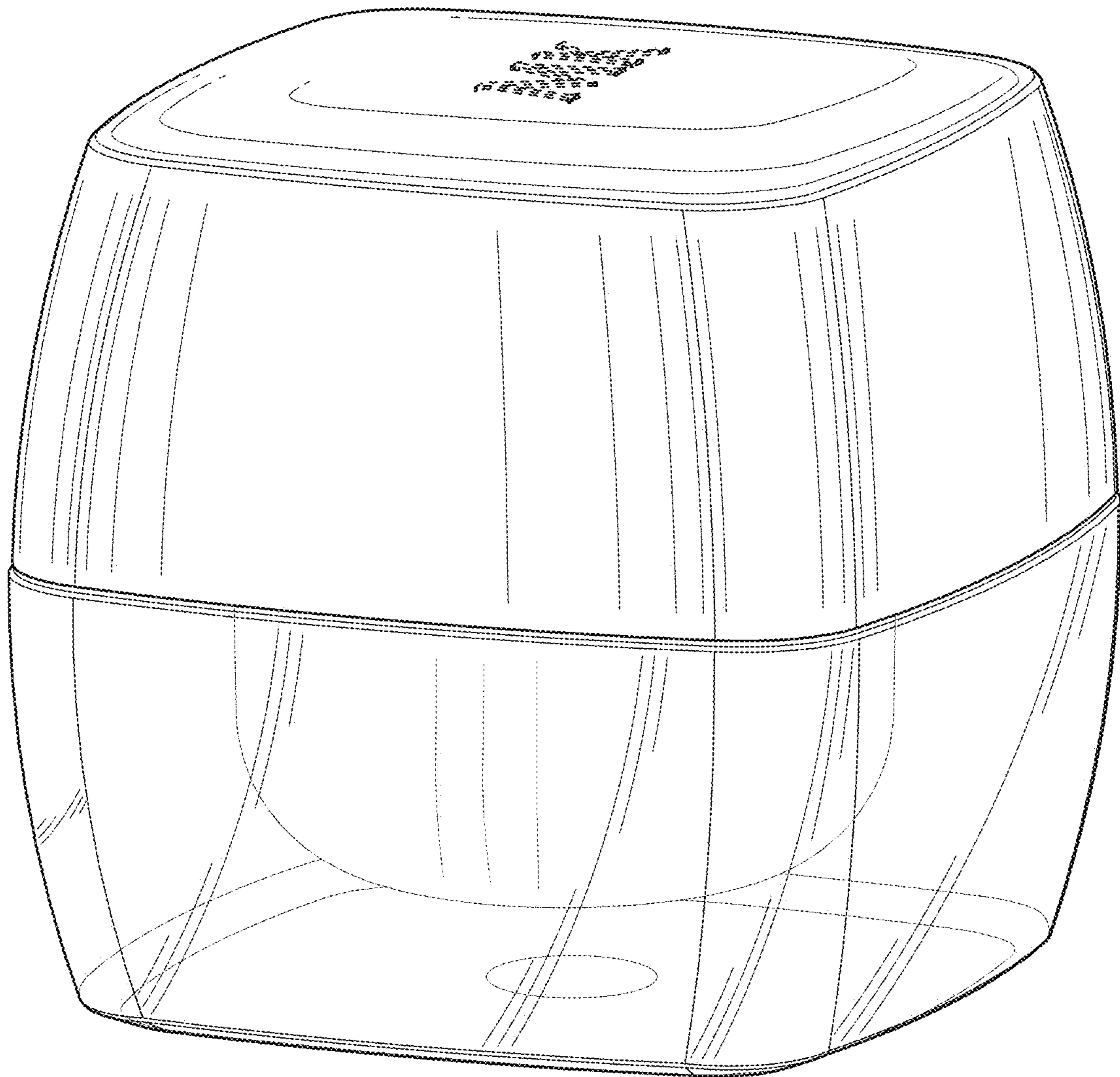


FIG. 7

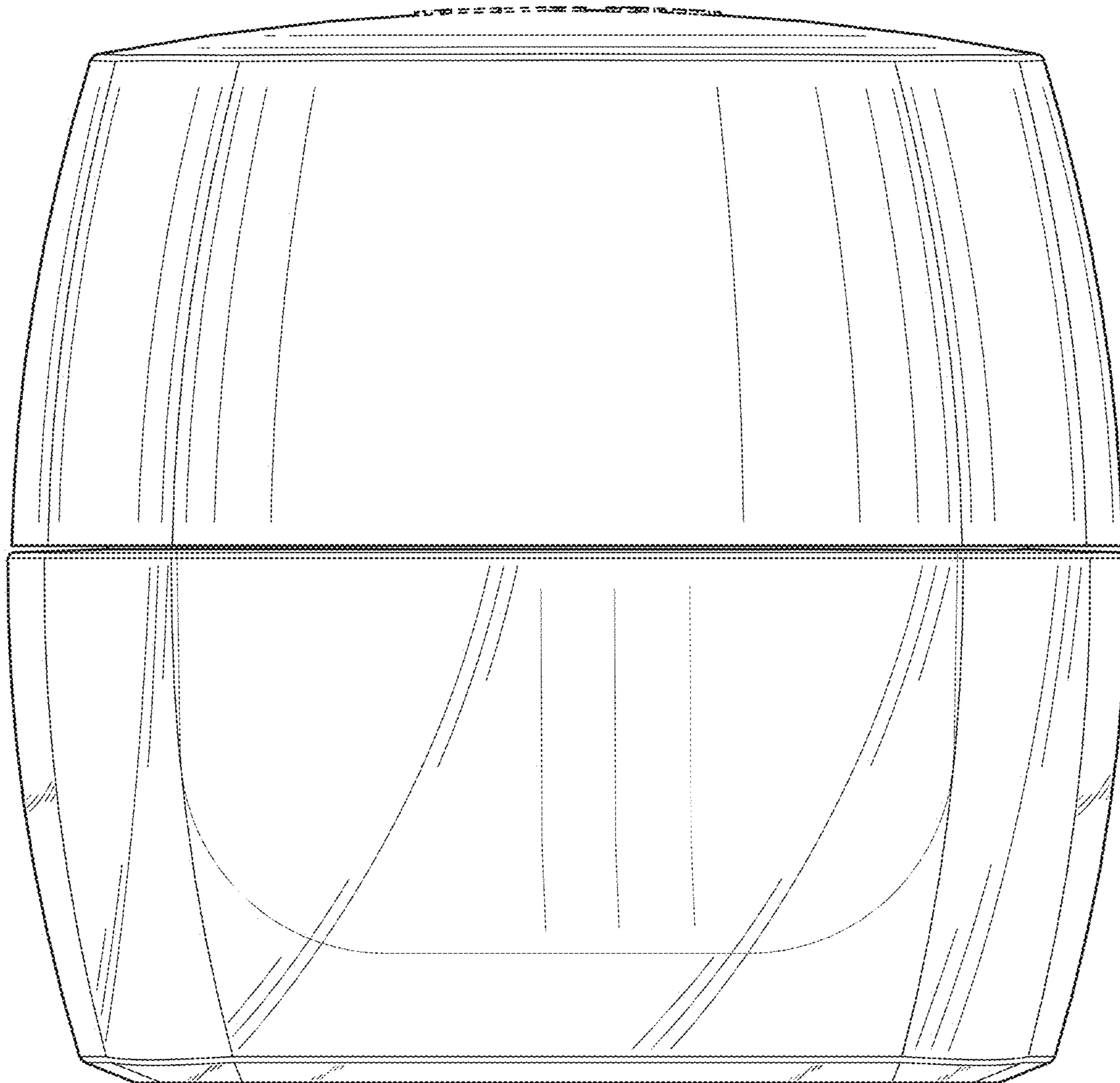


FIG. 8

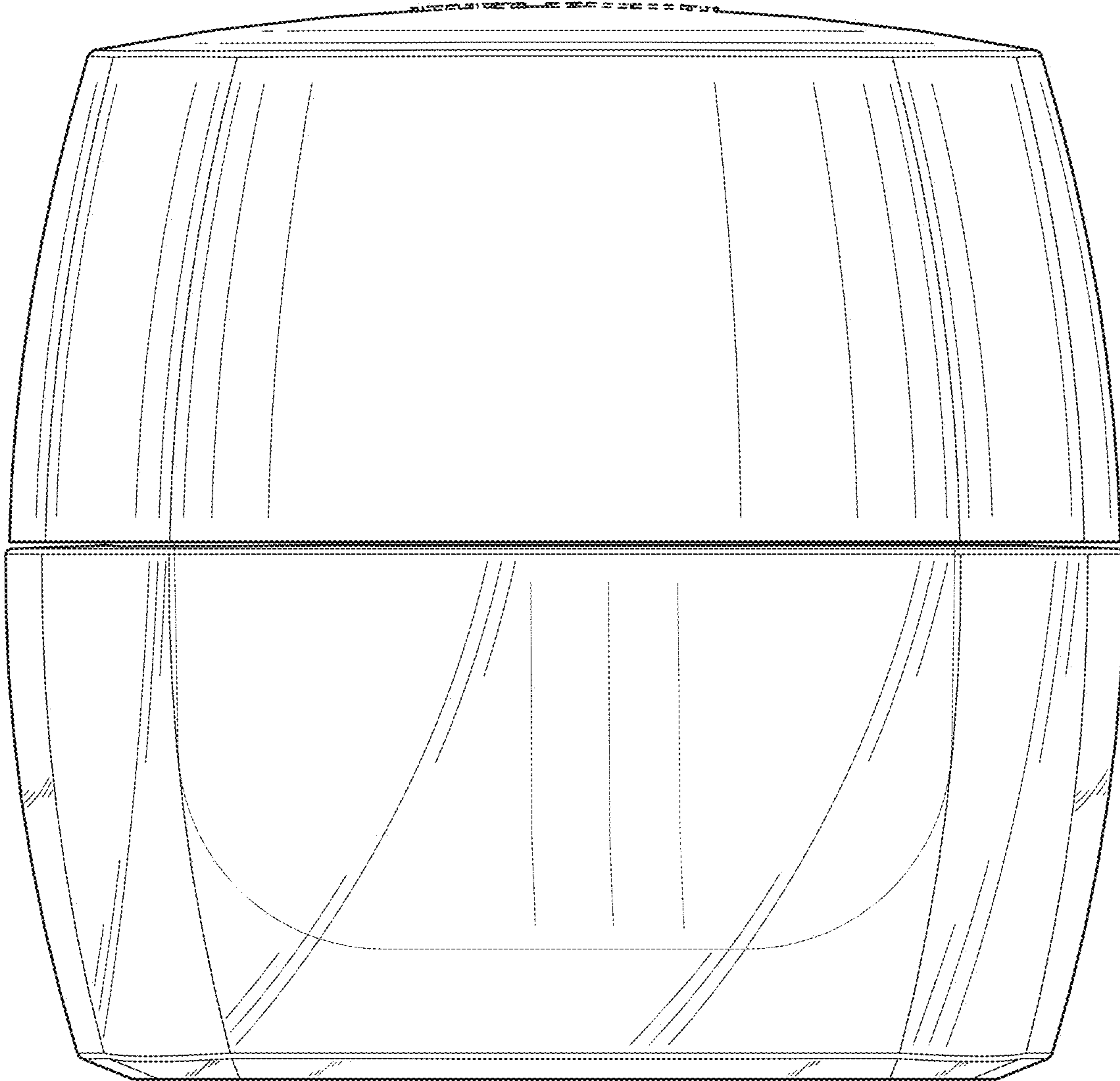


FIG. 9

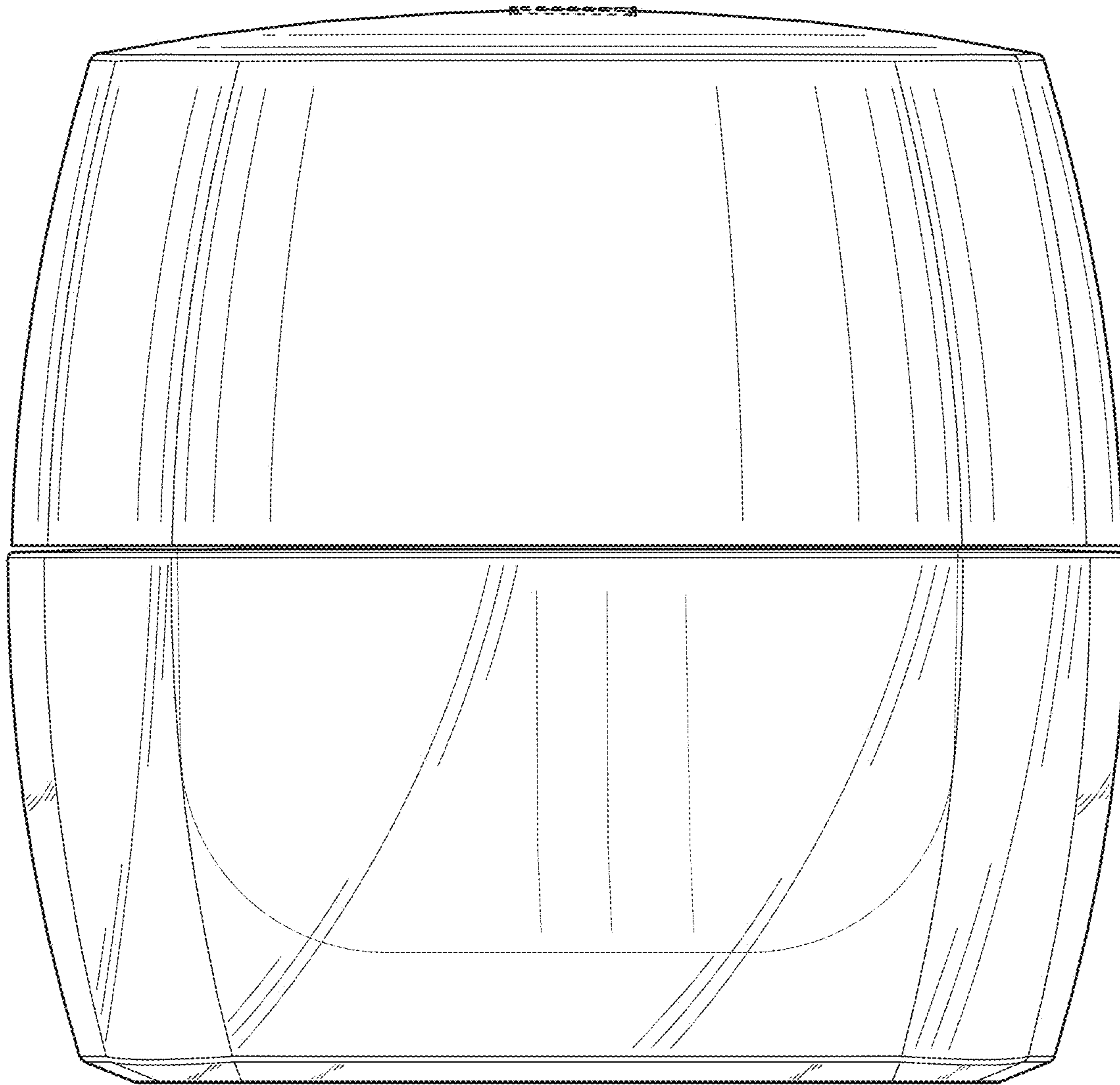


FIG. 10

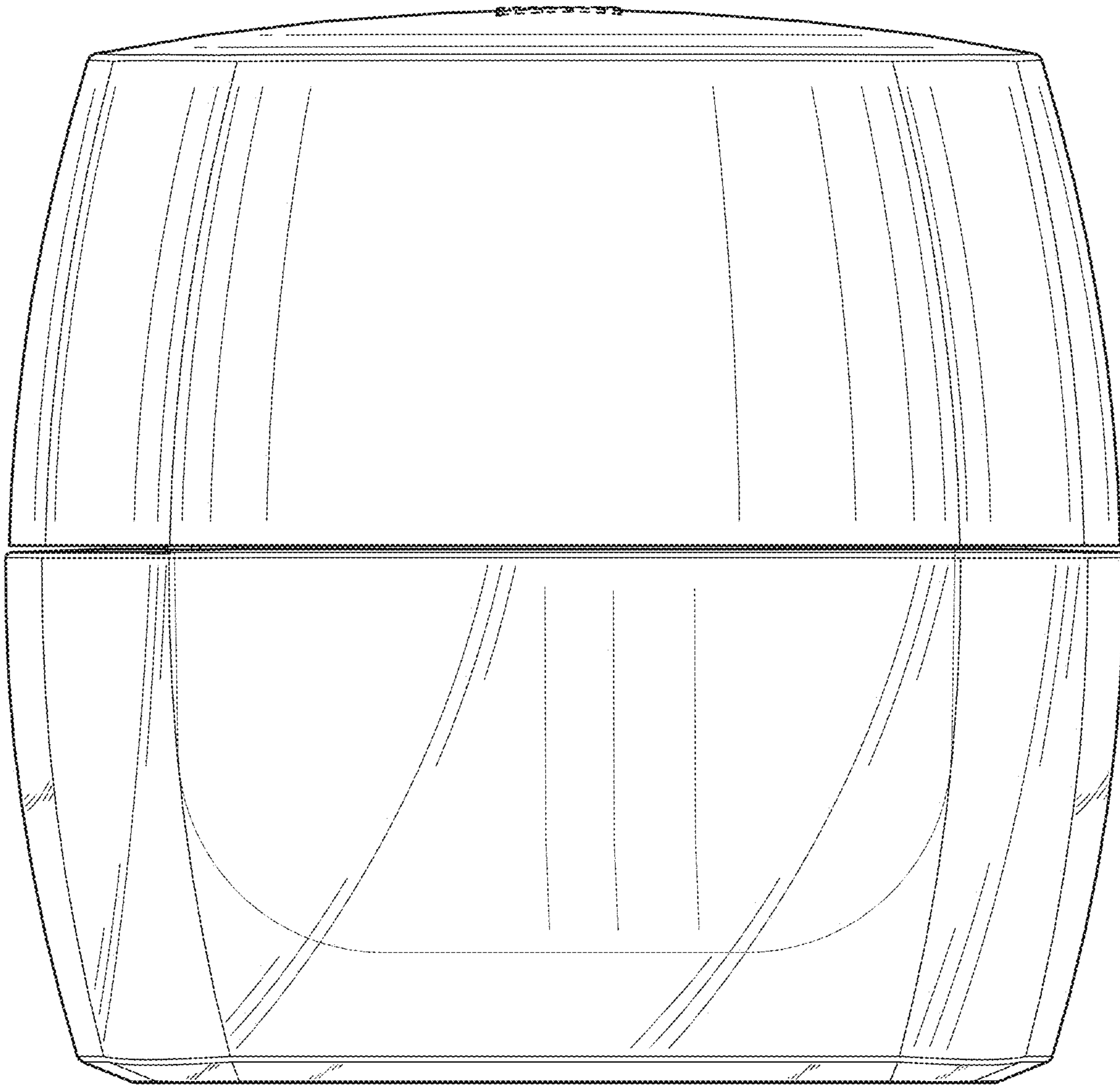


FIG. 11



FIG. 12

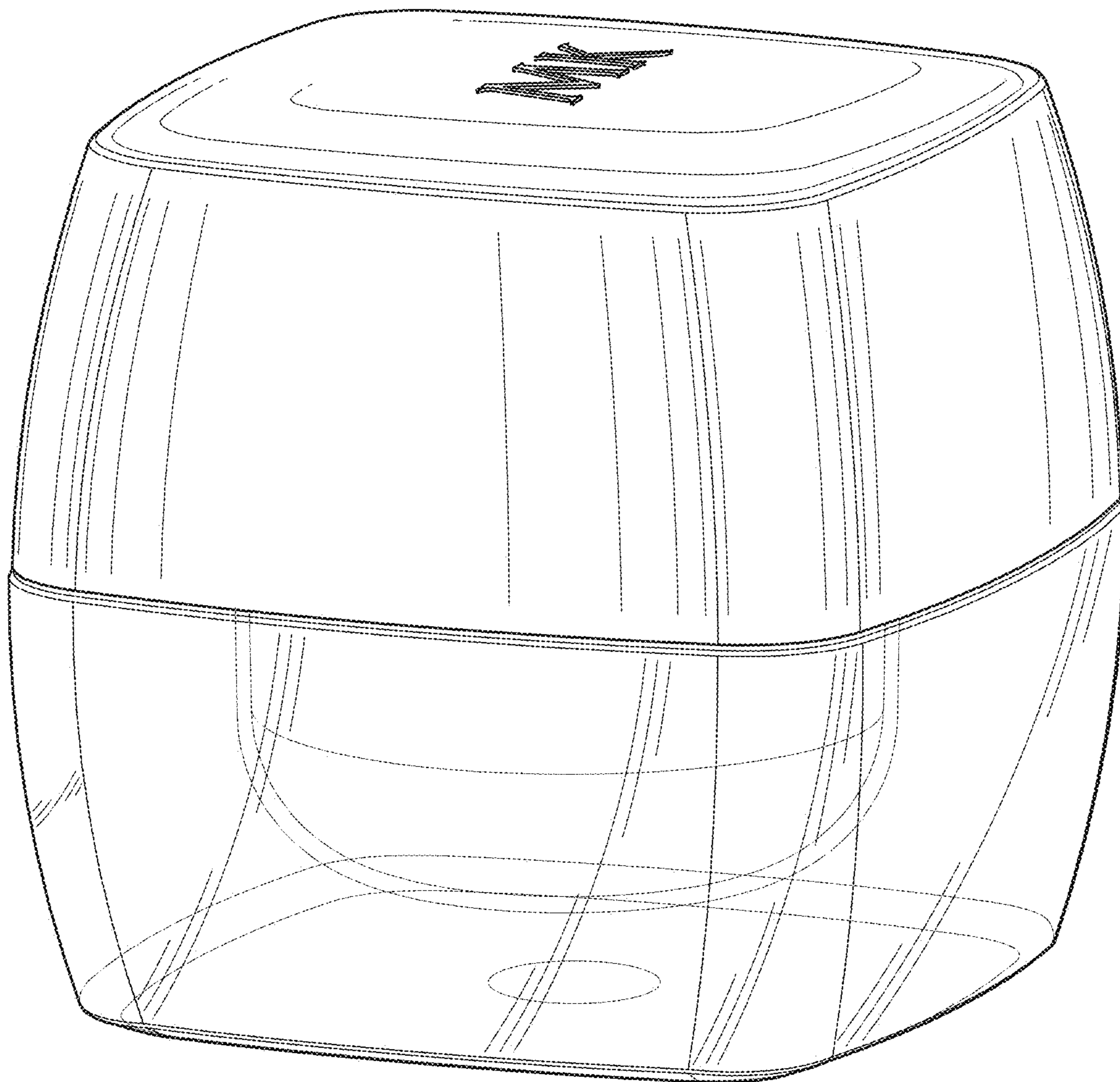


FIG. 13

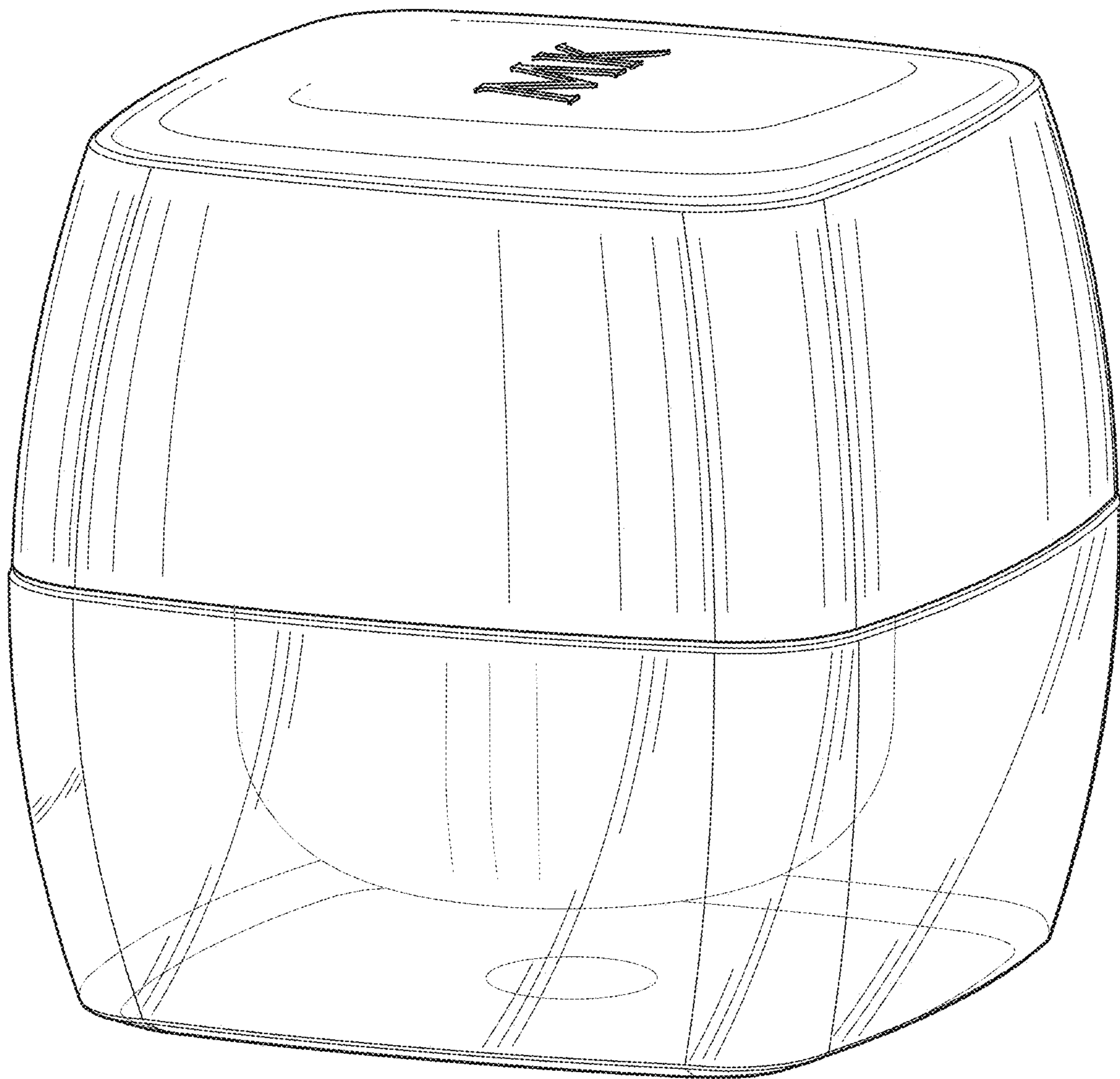


FIG. 14