



US00D892625S

(12) **United States Design Patent** (10) **Patent No.:** **US D892,625 S**
Palmer et al. (45) **Date of Patent:** **** Aug. 11, 2020**

(54) **CONTAINER**

(71) Applicants: **Milacron LLC**, Cincinnati, OH (US);
Altium Packaging LP, Atlanta, GA (US)

(72) Inventors: **Joe Palmer**, Marietta, GA (US); **James Janeczek**, Tecumseh, MI (US); **Grover Manderfield**, Marietta, GA (US)

(73) Assignees: **Milacron LLC**, Cincinnati, OH (US);
Altium Packaging LP, Atlanta, GA (US)

(**) Term: **15 Years**

(21) Appl. No.: **29/720,588**

(22) Filed: **Jan. 14, 2020**

Related U.S. Application Data

(60) Continuation of application No. 29/707,436, filed on Sep. 27, 2019, now Pat. No. Des. 880,302, which is a division of application No. 29/681,894, filed on Feb. 28, 2019, now Pat. No. Des. 874,284.

(51) **LOC (12) Cl.** **09-01**

(52) **U.S. Cl.**
USPC **D9/516; D9/528; D9/531**

(58) **Field of Classification Search**
USPC D9/434, 516, 520, 522, 528, 530-531, D9/537-538, 540-541, 548-550, 575, D9/715, 719; D23/225
CPC B65D 1/00; B65D 1/02; B65D 1/0223; B65D 23/00; B65D 23/10; B65D 23/102; B65D 2501/00; B65D 2501/0009; B65D 2501/0081

See application file for complete search history.

(56) **References Cited**

U.S. PATENT DOCUMENTS

D197,190 S * 12/1963 Natale et al. D9/531
D201,051 S * 5/1965 Shepler D9/531

D203,560 S * 1/1966 Erickson D9/531
D204,701 S * 5/1966 Shepler D9/531
D213,821 S * 4/1969 Platte
D215,410 S * 9/1969 Hills D9/531
D229,296 S * 11/1973 Cutler D9/531
D250,995 S * 2/1979 Beaver D9/528

(Continued)

FOREIGN PATENT DOCUMENTS

WO WO 1998/033712 A1 8/1998

OTHER PUBLICATIONS

Canadian Intellectual Property Office Examiner's Report for Application No. 181964, dated Jul. 23, 2018, 2 pages, Canada.

(Continued)

Primary Examiner — Dana Meyrow

(74) *Attorney, Agent, or Firm* — Alston & Bird LLP

(57) **CLAIM**

The ornamental design for a container, as shown and described.

DESCRIPTION

FIG. 1 is a rear, right, top perspective view of a container according to one exemplary embodiment of the present design.

FIG. 2 is a rear, right, bottom perspective view of the container of FIG. 1.

FIG. 3 is a front view the container of FIG. 1.

FIG. 4 is a rear view of the container of FIG. 1.

FIG. 5 is a right side view of the container of FIG. 1.

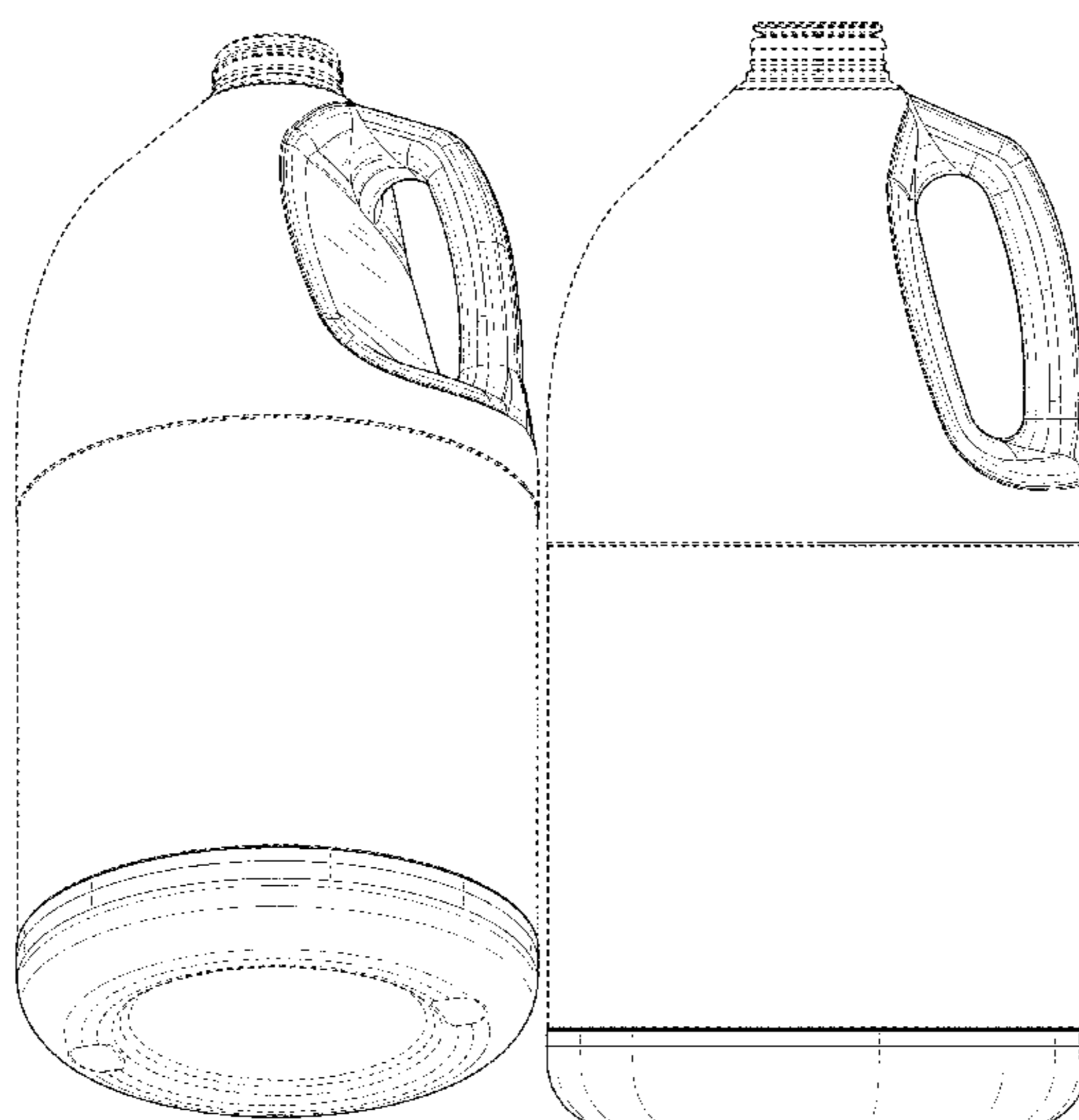
FIG. 6 is a left side view of the container of FIG. 1.

FIG. 7 is a top view of the container of FIG. 1; and,

FIG. 8 is a bottom view of the container of FIG. 1.

The broken lines shown in certain of the figures represent unclaimed portions of the container and form no part of the claimed design.

1 Claim, 8 Drawing Sheets



(56)

References Cited

U.S. PATENT DOCUMENTS

4,372,455 A 2/1983 Cochran
 D286,379 S 10/1986 Lyons
 D309,421 S * 7/1990 Aldrich, III D9/528
 4,964,522 A 10/1990 Umetsu et al.
 D348,612 S 7/1994 Ring
 D379,929 S 6/1997 Dallaire
 D391,854 S 3/1998 Ankney et al.
 5,833,115 A 11/1998 Eiten
 6,068,161 A 5/2000 Soehnlén et al.
 D427,076 S 6/2000 Ankney et al.
 6,237,792 B1 5/2001 Skolnicki et al.
 D470,417 S 2/2003 Anderson
 6,527,133 B1 3/2003 McCollum et al.
 6,588,612 B1 7/2003 Dorn et al.
 D485,497 S 1/2004 Steele, IV et al.
 D488,721 S 4/2004 Peronek
 6,889,858 B2 5/2005 Mccollum et al.
 7,059,486 B2 6/2006 Van Der Heijden et al.
 D593,863 S 6/2009 Fahy et al.
 7,686,168 B1 3/2010 Smiley et al.
 7,699,171 B2 4/2010 Rivera et al.
 8,047,392 B2 11/2011 Eiten et al.
 D662,421 S 6/2012 Dorn
 8,276,775 B2 10/2012 Boukobza
 D678,072 S 3/2013 Lobbestael et al.
 D685,641 S * 7/2013 Tomkins D9/528
 D686,080 S * 7/2013 Tomkins D9/528
 8,535,599 B1 9/2013 Lobbestael et al.
 8,668,101 B2 3/2014 Lobbestael et al.
 8,893,908 B2 11/2014 Treece et al.
 8,979,524 B2 3/2015 Lobbestael et al.
 D733,566 S 7/2015 Lobbestael et al.
 D739,248 S 9/2015 Janeczek
 D742,747 S 11/2015 Lobbestael et al.
 9,446,551 B2 9/2016 Lobbestael et al.
 D800,567 S 10/2017 Palmer et al.
 9,981,768 B1 5/2018 Palmer
 D823,690 S 7/2018 Palmer et al.

D823,691 S 7/2018 Palmer et al.
 10,384,824 B2 * 8/2019 Palmer B65D 1/0223
 D874,284 S * 2/2020 Palmer D9/531
 D874,940 S * 2/2020 Janeczek D9/531
 D880,301 S 4/2020 Janeczek et al.
 2003/0006210 A1 1/2003 Iizuka et al.
 2003/0155324 A1 8/2003 McCollum et al.
 2003/0230545 A1 12/2003 Mount et al.
 2004/0094502 A1 5/2004 Boukobza
 2005/0082251 A1 4/2005 Darr et al.
 2006/0260971 A1 11/2006 Rivera et al.
 2007/0023384 A1 2/2007 Janeczek
 2010/0089863 A1 4/2010 Matsuoka
 2011/0132863 A1 6/2011 Dorn
 2011/0284541 A1 11/2011 Webster et al.
 2012/0241405 A1 9/2012 Lobbestael et al.
 2013/0001234 A1 1/2013 Glover
 2013/0243896 A1 9/2013 Lobbestael et al.
 2015/0014274 A1 1/2015 Glover
 2016/0272356 A1 9/2016 Simpson et al.
 2017/0158370 A1 6/2017 Kuhar et al.
 2018/0244423 A1 8/2018 Palmer et al.
 2019/0193890 A1 * 6/2019 Palmer B65D 47/122

OTHER PUBLICATIONS

Canadian Intellectual Property Office, Requisition by the Examiner for Application No. 3,009,203, dated Sep. 6, 2018, 4 pages, Canada.
 European Union Intellectual Property Office, Examination Report for Application Nos. 005316882-0001/005316882-0003, dated Aug. 14, 2018, 1 page, Spain.
 Notice of Allowance Notice of Allowance for U.S. Appl. No. 29/707,435 dated Nov. 29, 2019.
 Notice of Allowance for U.S. Appl. No. 29/645,266 dated Oct. 2, 2019.
 Notice of Allowance for U.S. Appl. No. 29/720,583 dated Apr. 7, 2020.
 United States Patent and Trademark Office, Notice of Allowance for U.S. Appl. No. 29/720,586, dated May 18, 2020, (12 pages), USA.

* cited by examiner

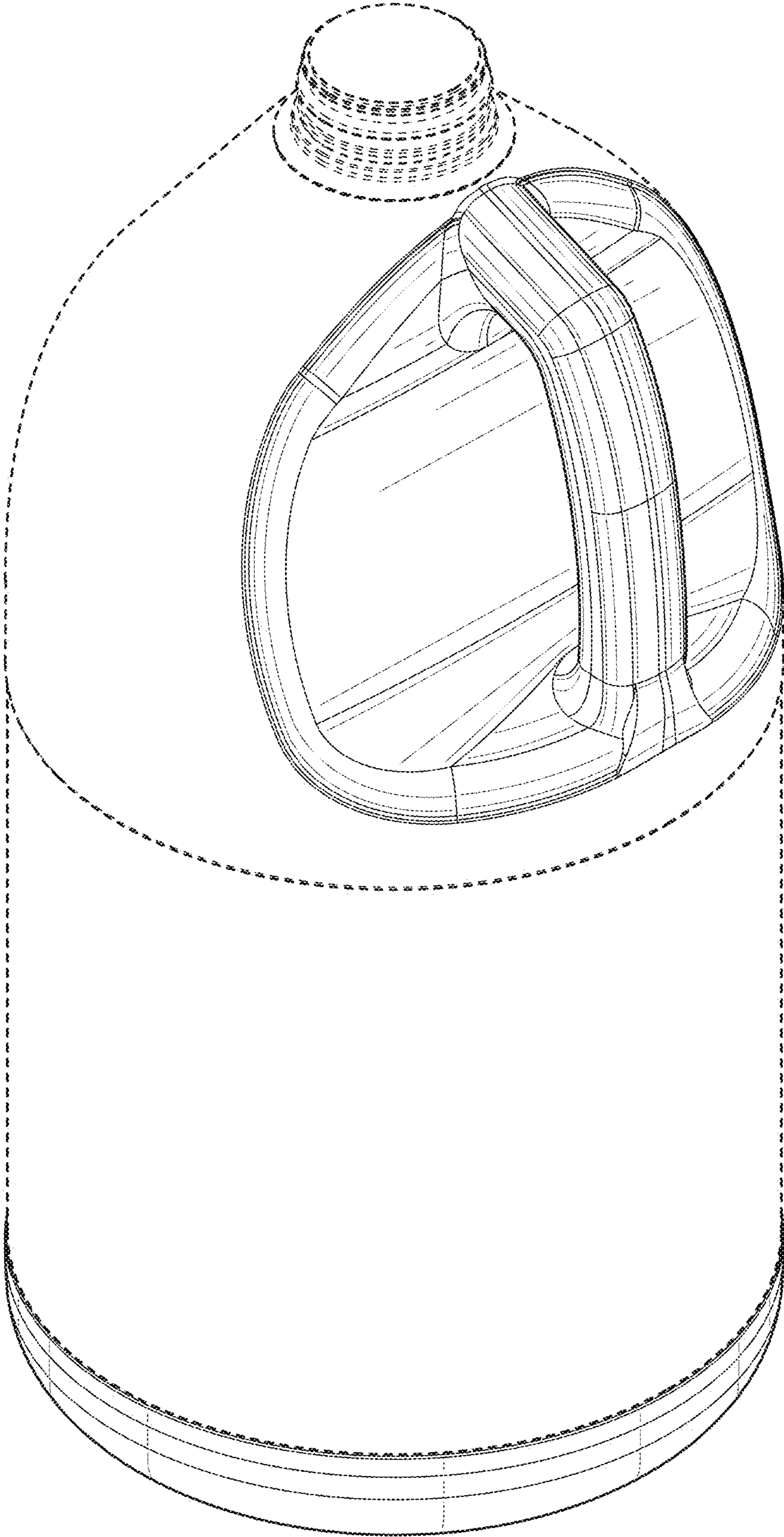


FIG. 1

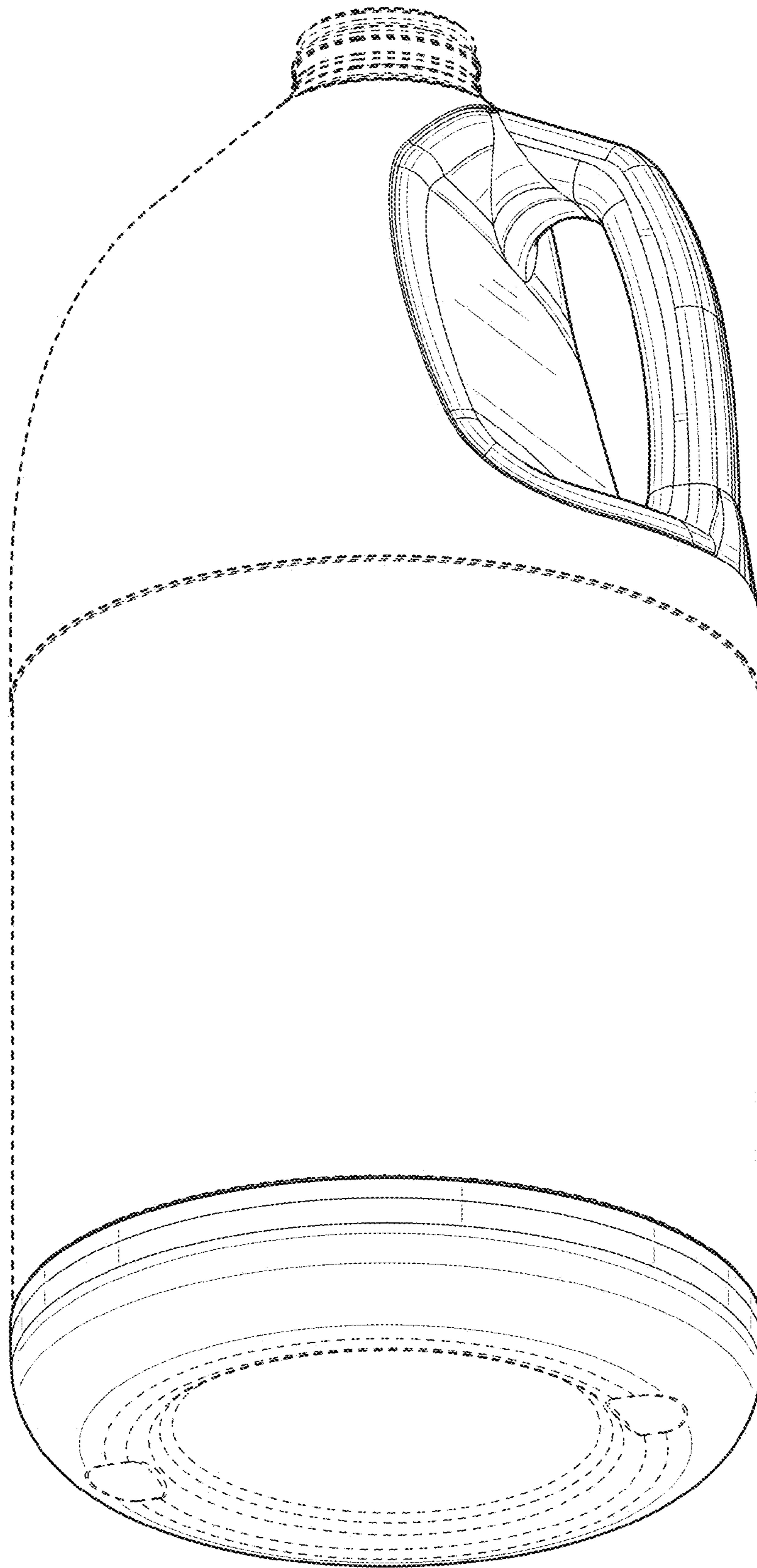


FIG. 2

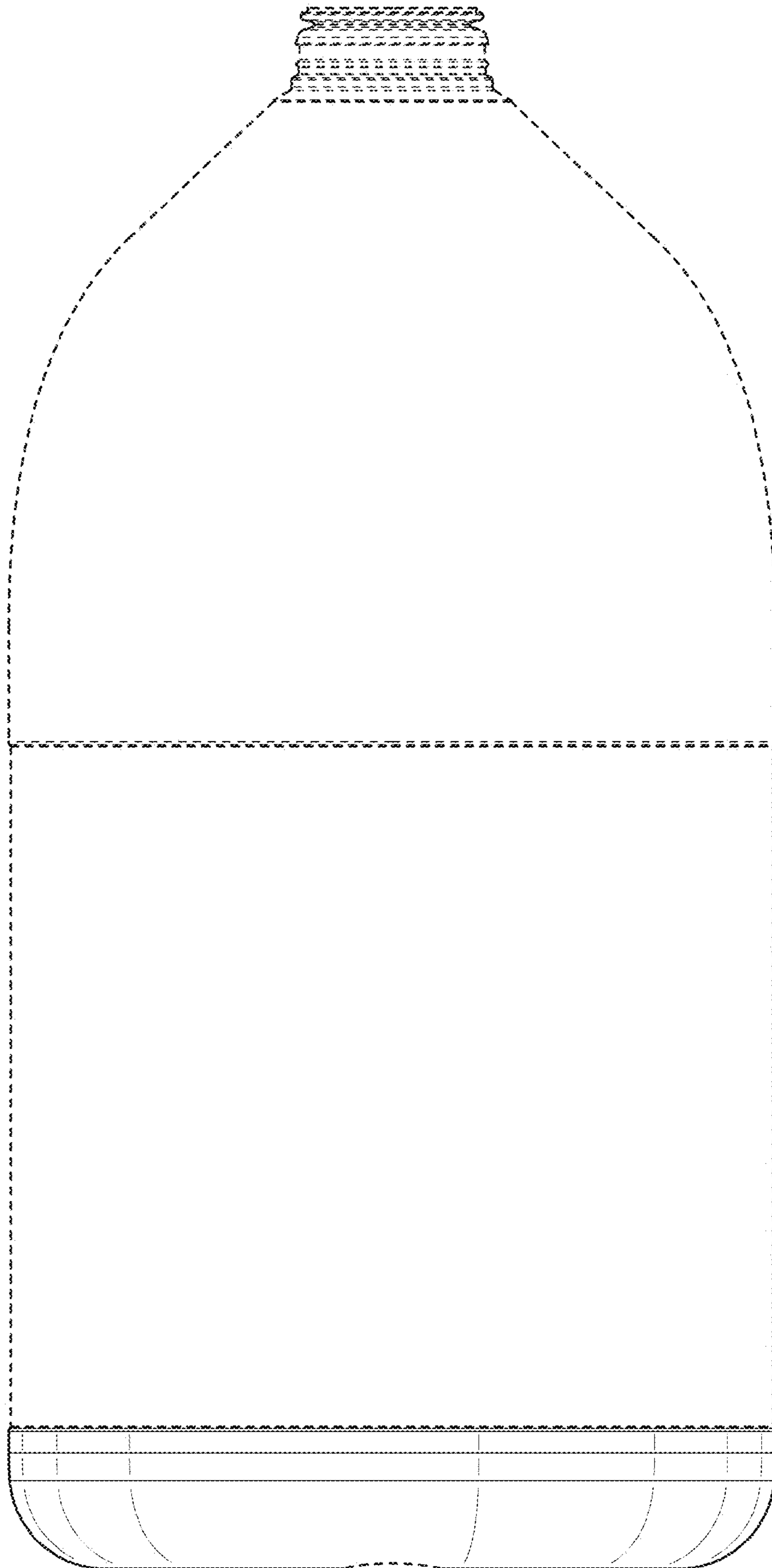


FIG. 3

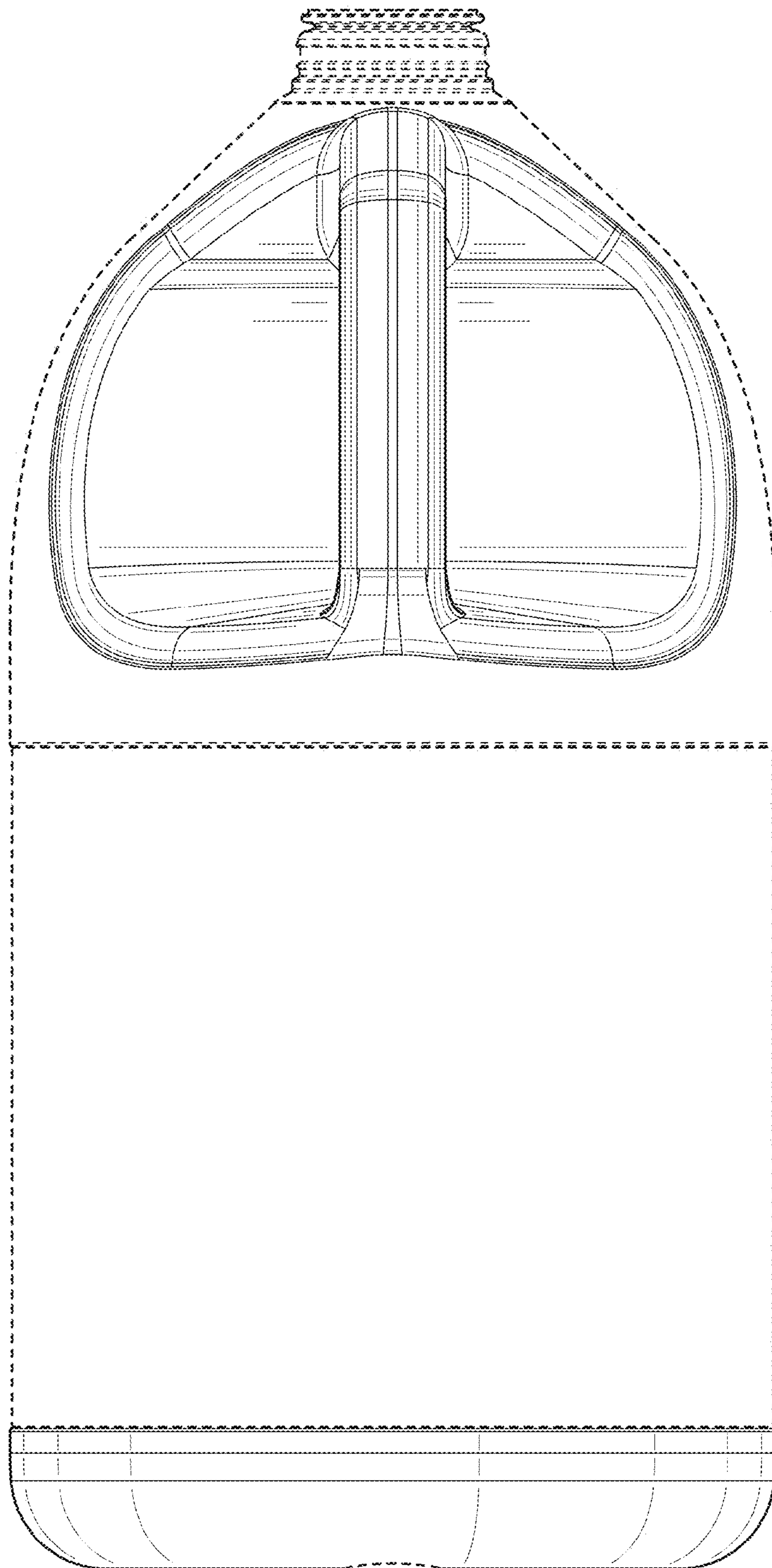


FIG. 4

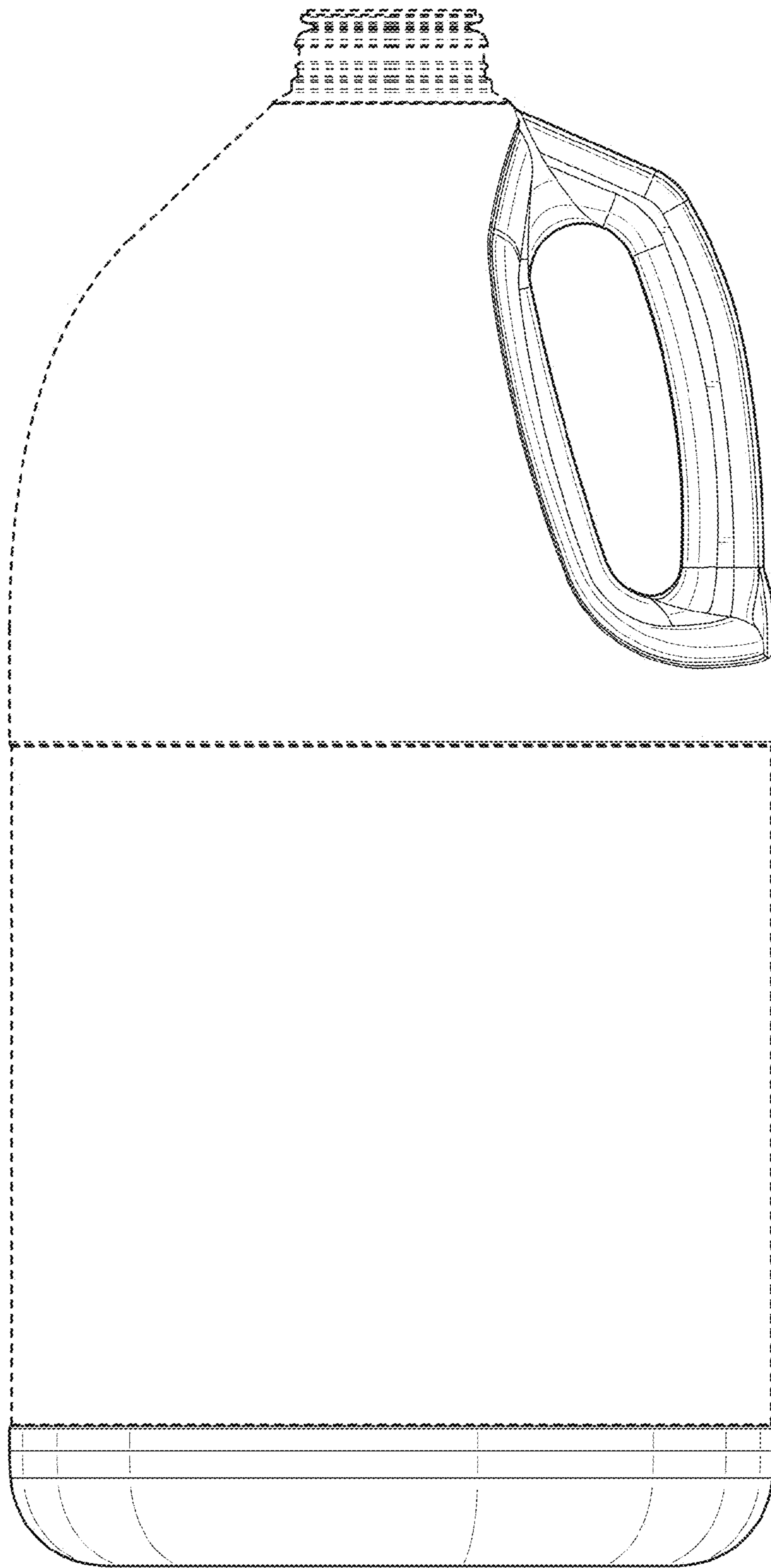


FIG. 5

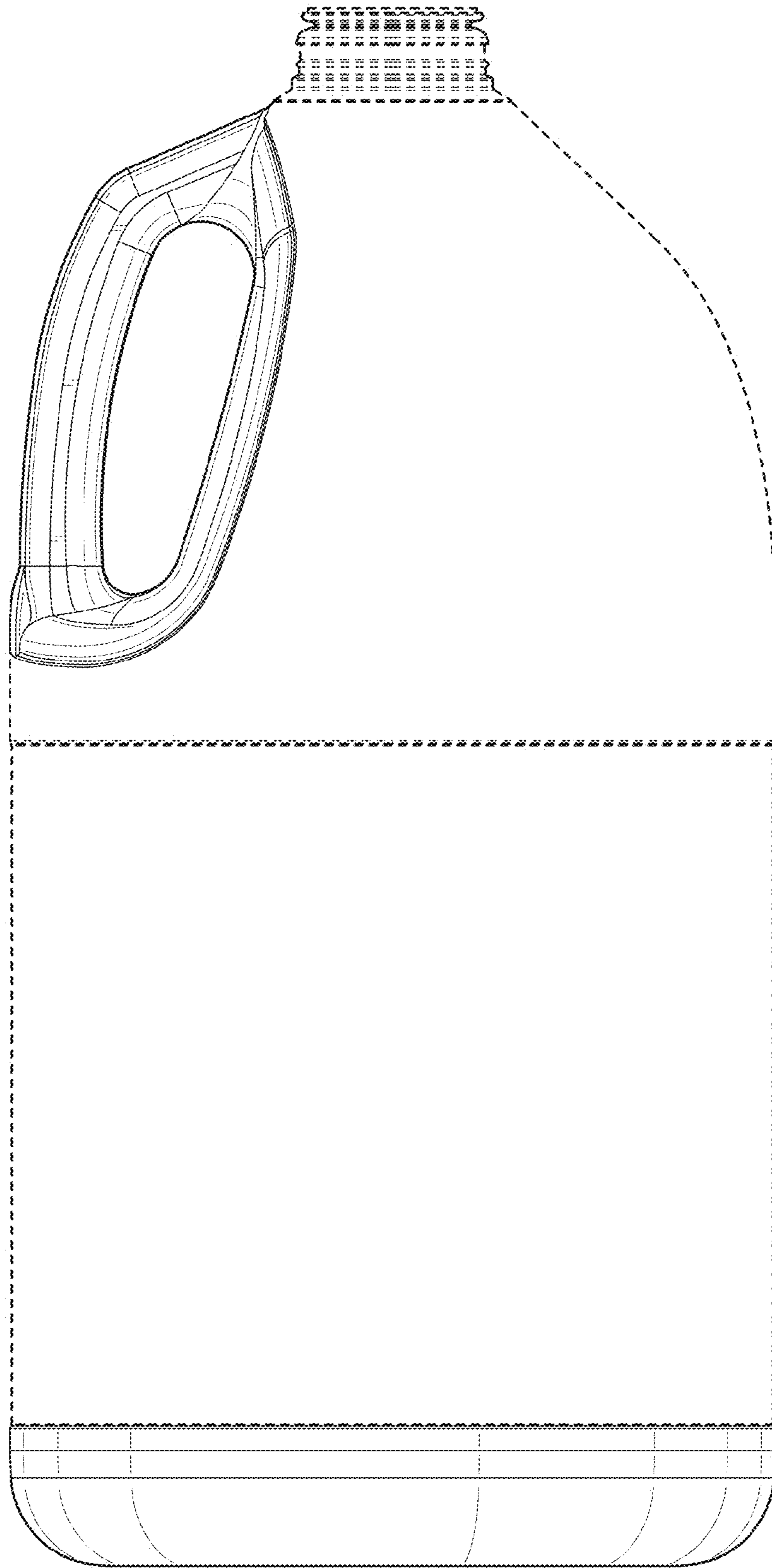


FIG. 6

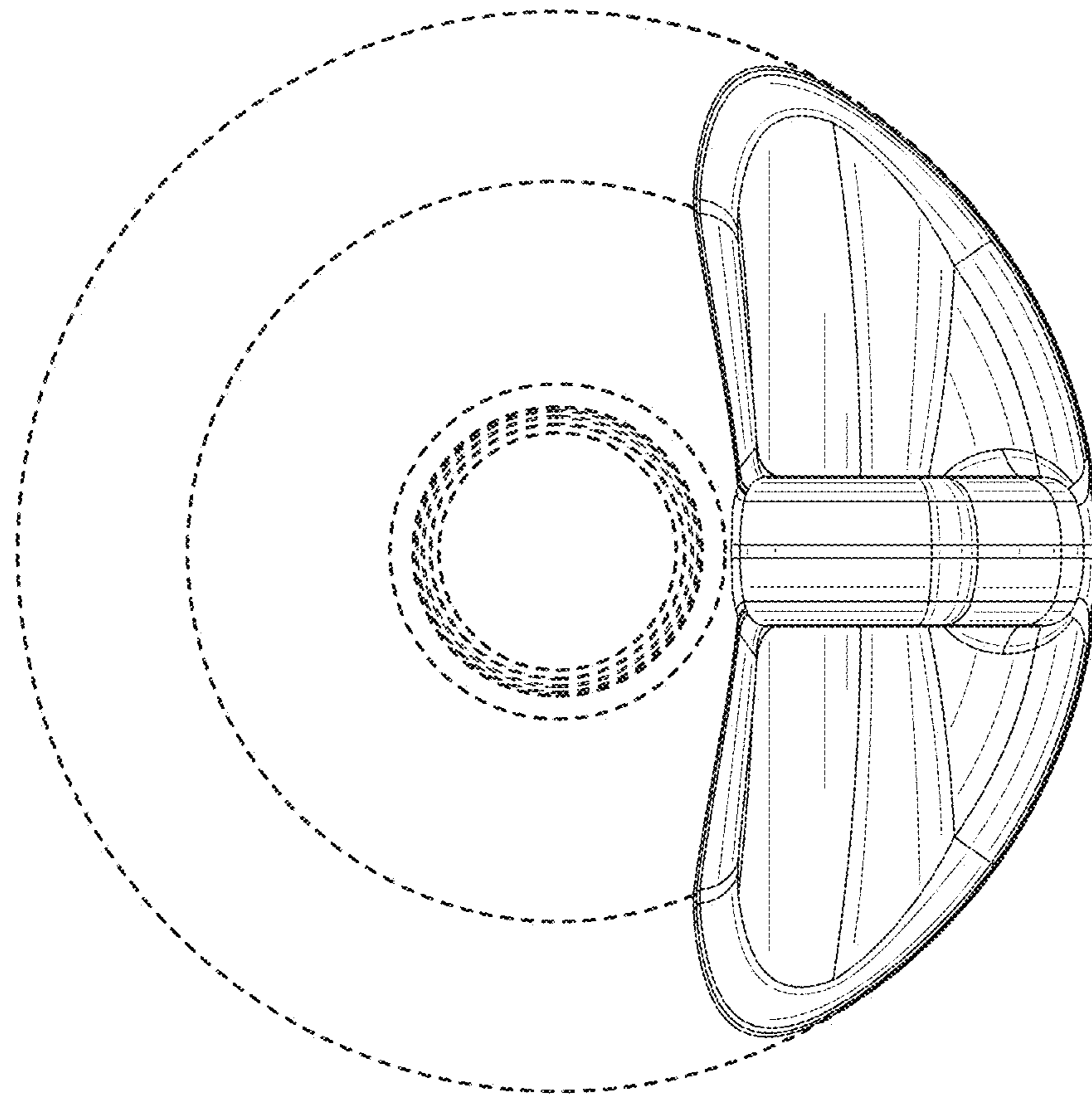


FIG. 7

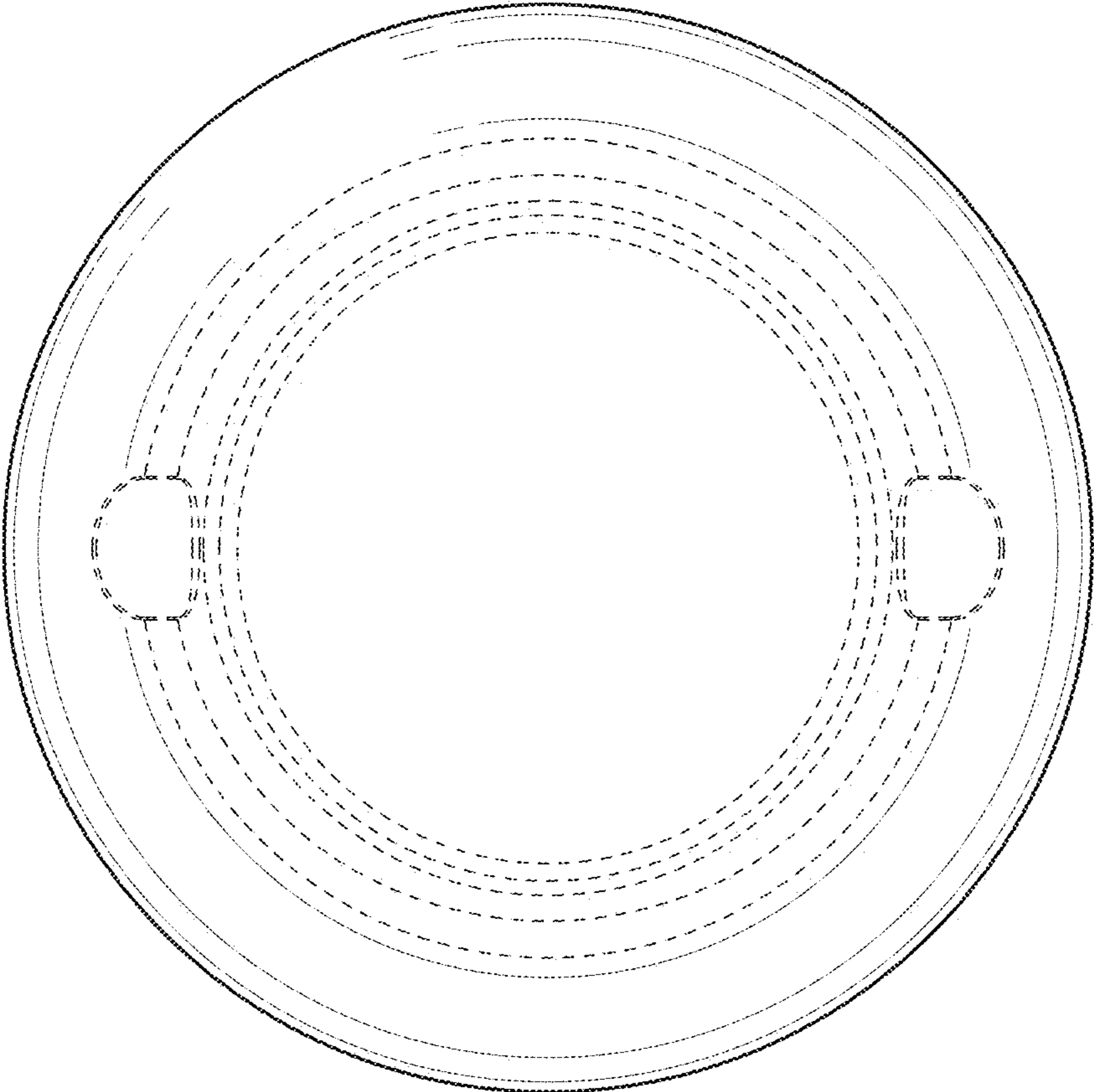


FIG. 8