



US00D892624S

(12) **United States Design Patent**
Son et al.

(10) **Patent No.:** **US D892,624 S**

(45) **Date of Patent:** **** Aug. 11, 2020**

(54) **CONTAINER FOR PACKAGING COSMETICS**

(71) Applicant: **YONWOO CO., LTD.**, Incheon (KR)

(72) Inventors: **Su-Jin Son**, Incheon (KR); **Jae-ock Lee**, Incheon (KR)

(73) Assignee: **YONWOO CO., LTD.**, Incheon (KR)

(**) Term: **15 Years**

(21) Appl. No.: **29/653,862**

(22) Filed: **Jun. 19, 2018**

(30) **Foreign Application Priority Data**

Dec. 21, 2017 (KR) 30-2017-0060833

(51) **LOC (12) Cl.** **09-01**

(52) **U.S. Cl.**

USPC **D9/504**; D9/435; D9/454

(58) **Field of Classification Search**

USPC D9/434–435, 444–445, 454, 500,
D9/503–504, 516, 521, 529, 549, 558,
D9/682, 686, 688–691, 715, 719

CPC B65D 1/00; B65D 1/02; B65D 1/0223;
B65D 23/00; B65D 51/32; B65D
2501/00; B65D 2501/0009

See application file for complete search history.

(56) **References Cited**

U.S. PATENT DOCUMENTS

D267,629 S *	1/1983	Hasegawa	D9/504
D485,183 S *	1/2004	Lerolle	D9/503
D500,231 S *	12/2004	Ward	D7/608
D516,916 S *	3/2006	Cornet	D28/88
D570,707 S *	6/2008	Blasko	D9/689
D587,533 S *	3/2009	Carreno	D7/608
D646,583 S *	10/2011	Mongeon	D9/689

(Continued)

Primary Examiner — Dana Meyrow

(74) *Attorney, Agent, or Firm* — Marshall, Gerstein & Borun LLP

(57) **CLAIM**

The ornamental design for a container for packaging cosmetics, as shown and described.

DESCRIPTION

FIG. 1 is an exploded view of a container for packaging cosmetics showing the new design in reduced scale.

FIG. 2 is a front, top, and right-side orthographic view of the body of the container for packaging cosmetics.

FIG. 3 is a front elevation view of the body of the container for packaging cosmetics.

FIG. 4 is a rear elevation view of the body of the container for packaging cosmetics.

FIG. 5 is a left-side elevation view of the body of the container for packaging cosmetics.

FIG. 6 is a right-side elevation view of the body of the container for packaging cosmetics.

FIG. 7 is an enlarged top plan view of the body of the container for packaging cosmetics.

FIG. 8 is an enlarged bottom plan view of the body of the container for packaging cosmetics.

FIG. 9 is a front, top, and right-side orthographic view of the container for packaging cosmetics, with the cap in place.

FIG. 10 is a front elevation view of the container for packaging cosmetics, with the cap in place.

FIG. 11 is a rear elevation view of the container for packaging cosmetics, with the cap in place.

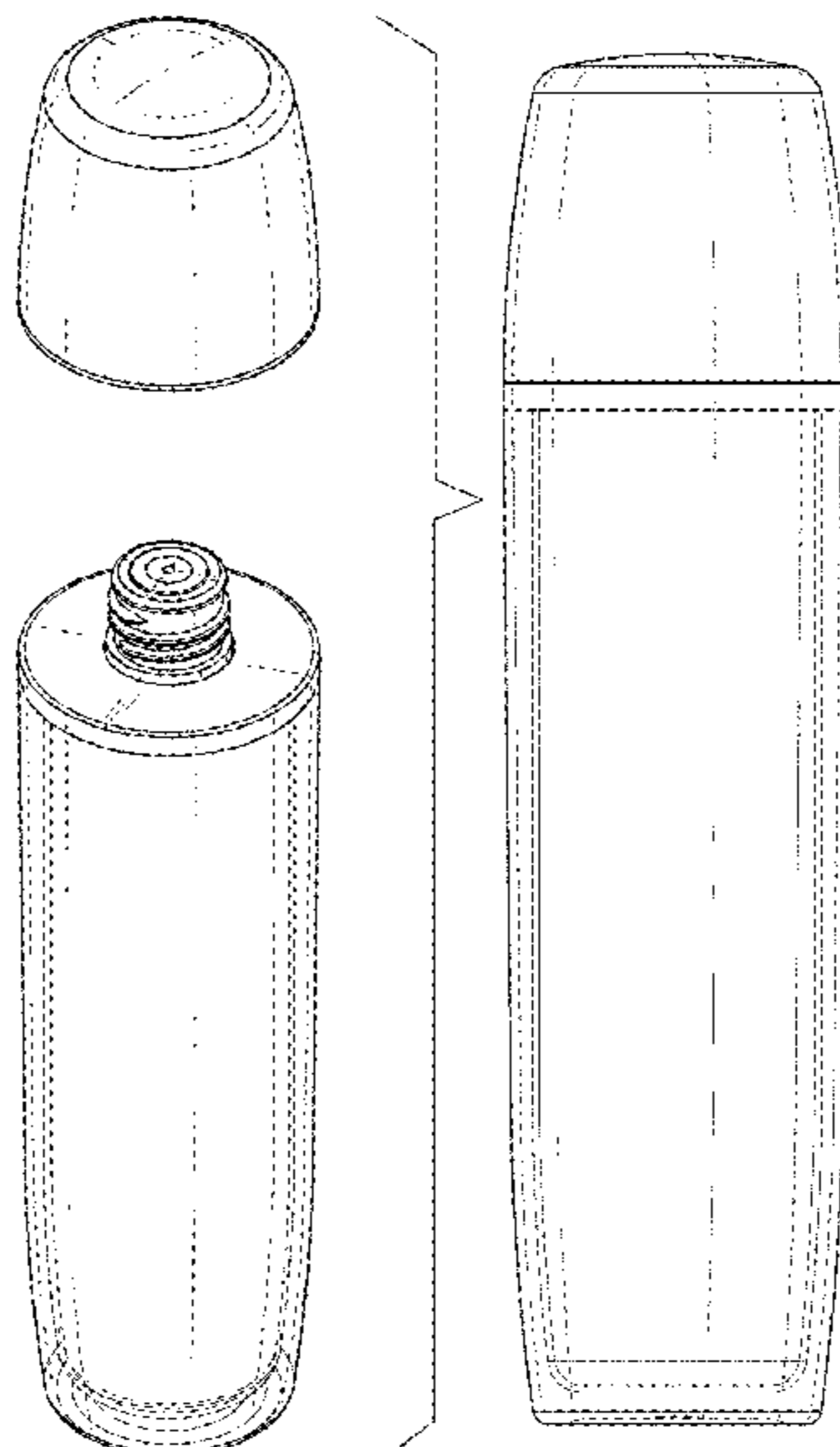
FIG. 12 is a left-side elevation view of the container for packaging cosmetics, with the cap in place.

FIG. 13 is a right-side elevation view of the container for packaging cosmetics, with the cap in place.

FIG. 14 is an enlarged top plan view of the container for packaging cosmetics, with the cap in place; and,

FIG. 15 is an enlarged bottom plan view of the container for packaging cosmetics, with the cap in place.

1 Claim, 15 Drawing Sheets



(56)

References Cited

U.S. PATENT DOCUMENTS

D650,673	S	*	12/2011	Baek	D9/504
D650,674	S	*	12/2011	Baek	D9/504
D651,918	S	*	1/2012	Daniels	D9/691
D654,363	S	*	2/2012	Baek	D9/504
D658,076	S	*	4/2012	McCoy	D9/723
D683,238	S	*	5/2013	You	D9/688
D772,718	S	*	11/2016	Lee	D9/454
D777,575	S	*	1/2017	Harada	D9/503
D781,715	S	*	3/2017	Lee	D9/558
D818,839	S	*	5/2018	Kim	D9/691
D821,221	S	*	6/2018	Jung	D9/691
D869,281	S	*	12/2019	Metais	D9/504
D874,936	S	*	2/2020	Son	D9/504
D875,546	S	*	2/2020	Son	D9/689

* cited by examiner

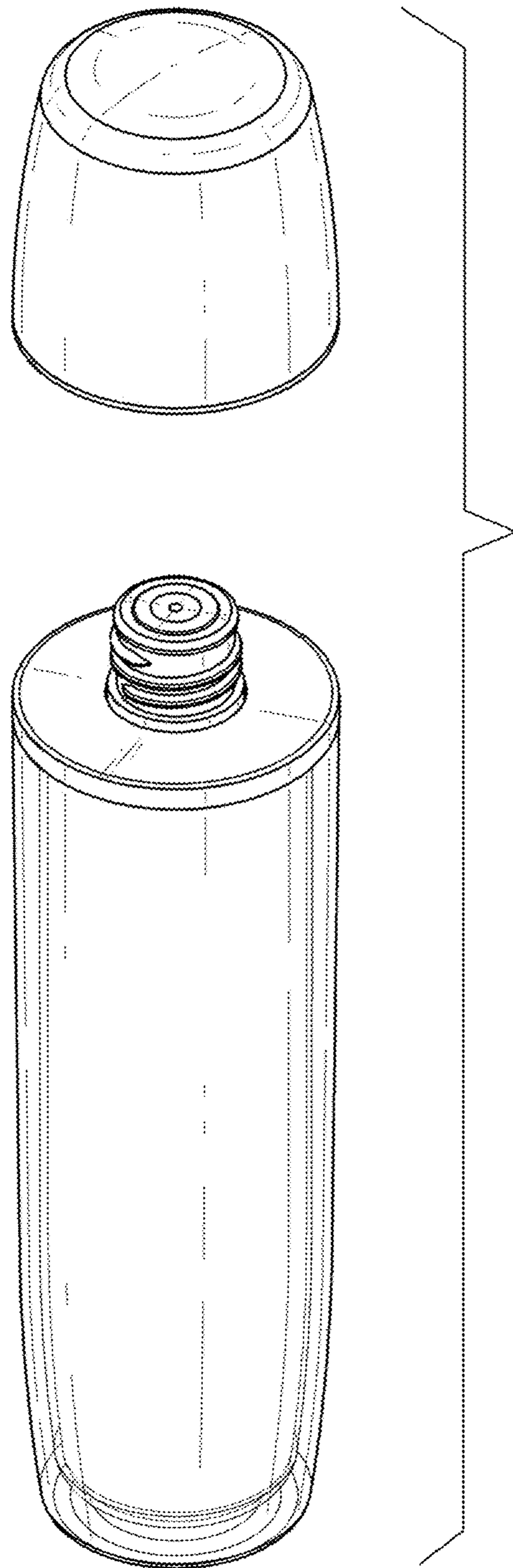


FIG. 1

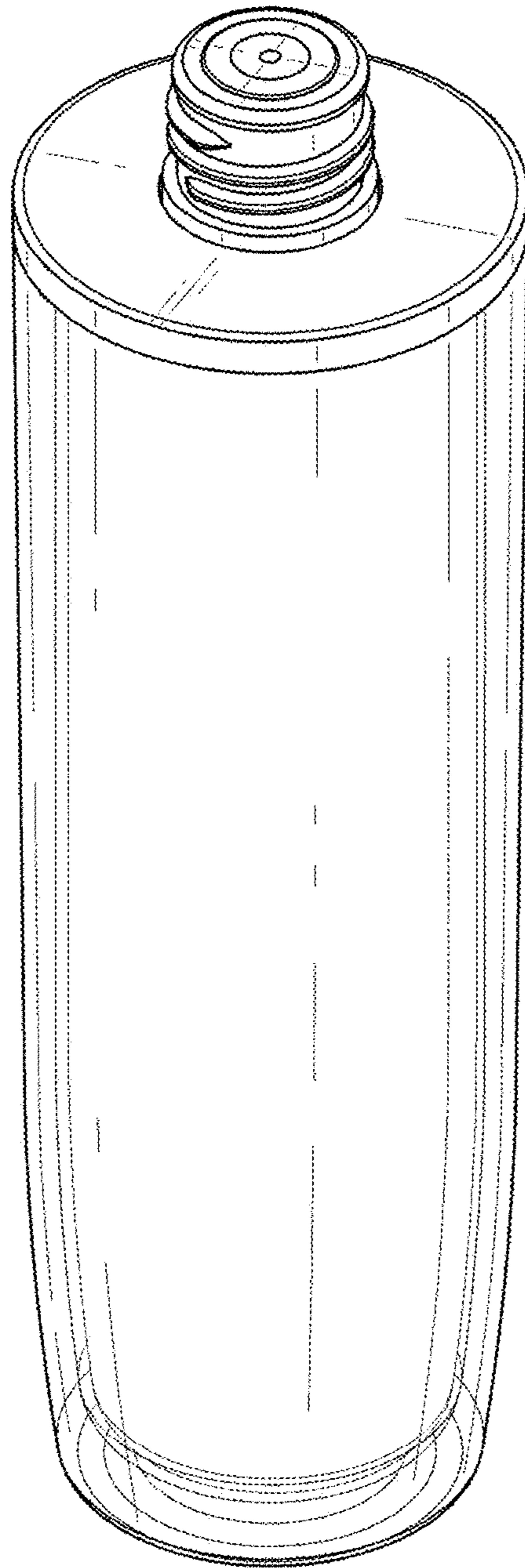


FIG. 2

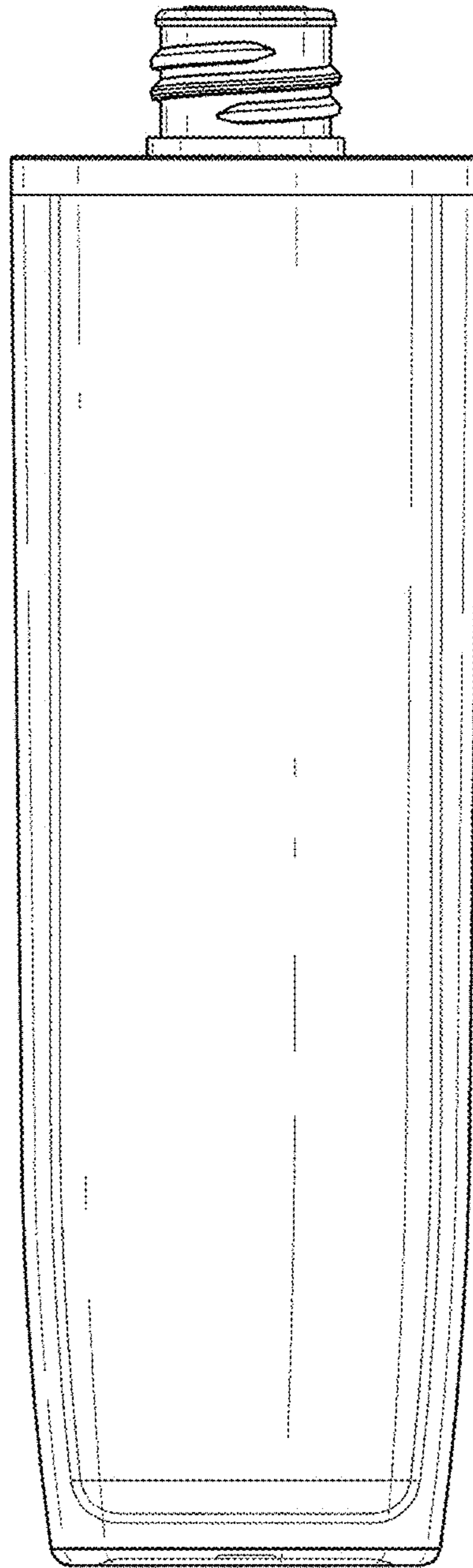


FIG. 3

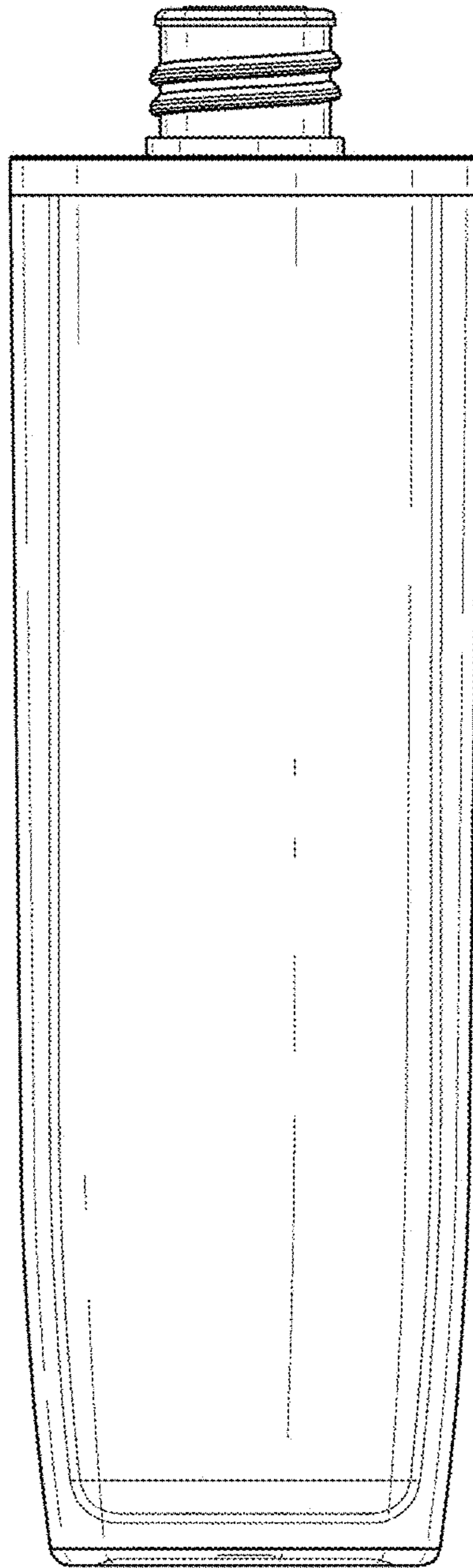


FIG. 4

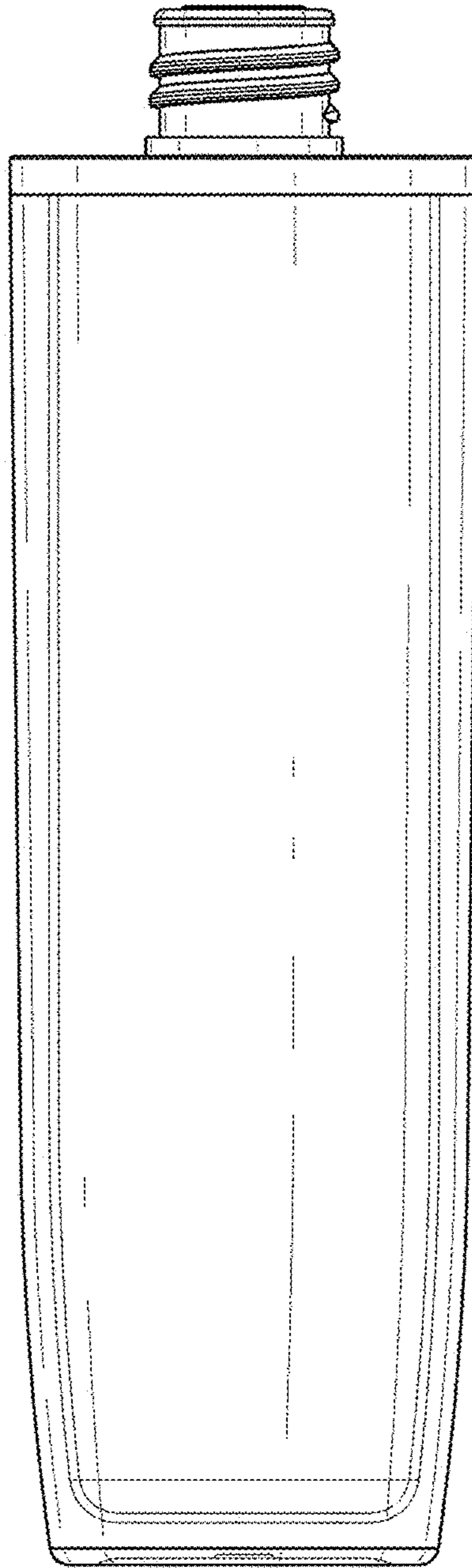


FIG. 5

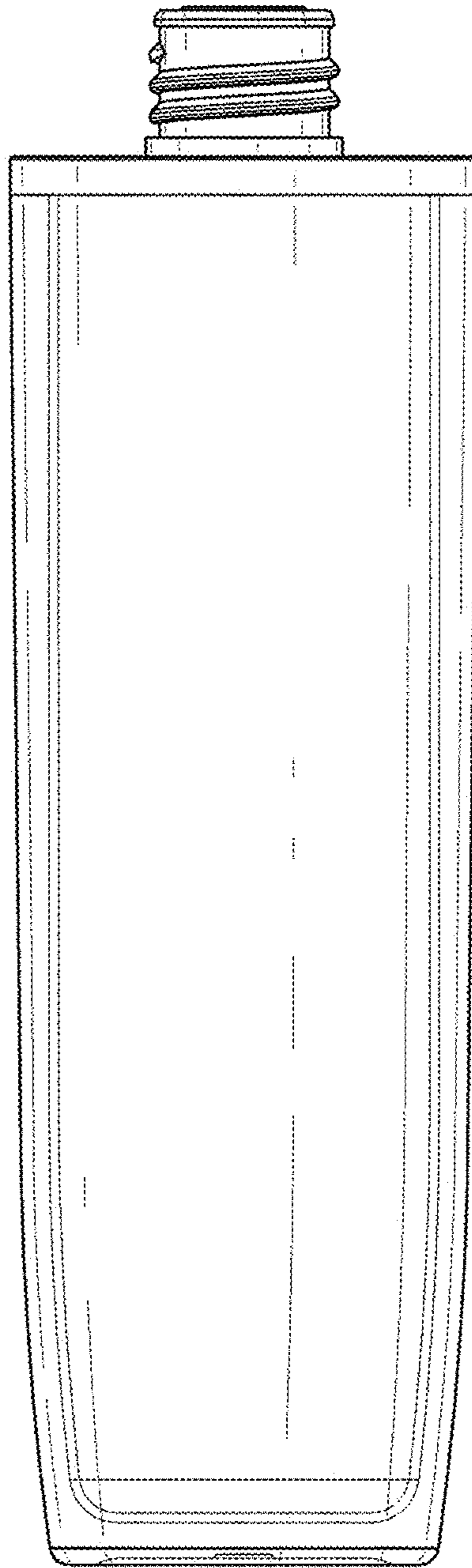


FIG. 6

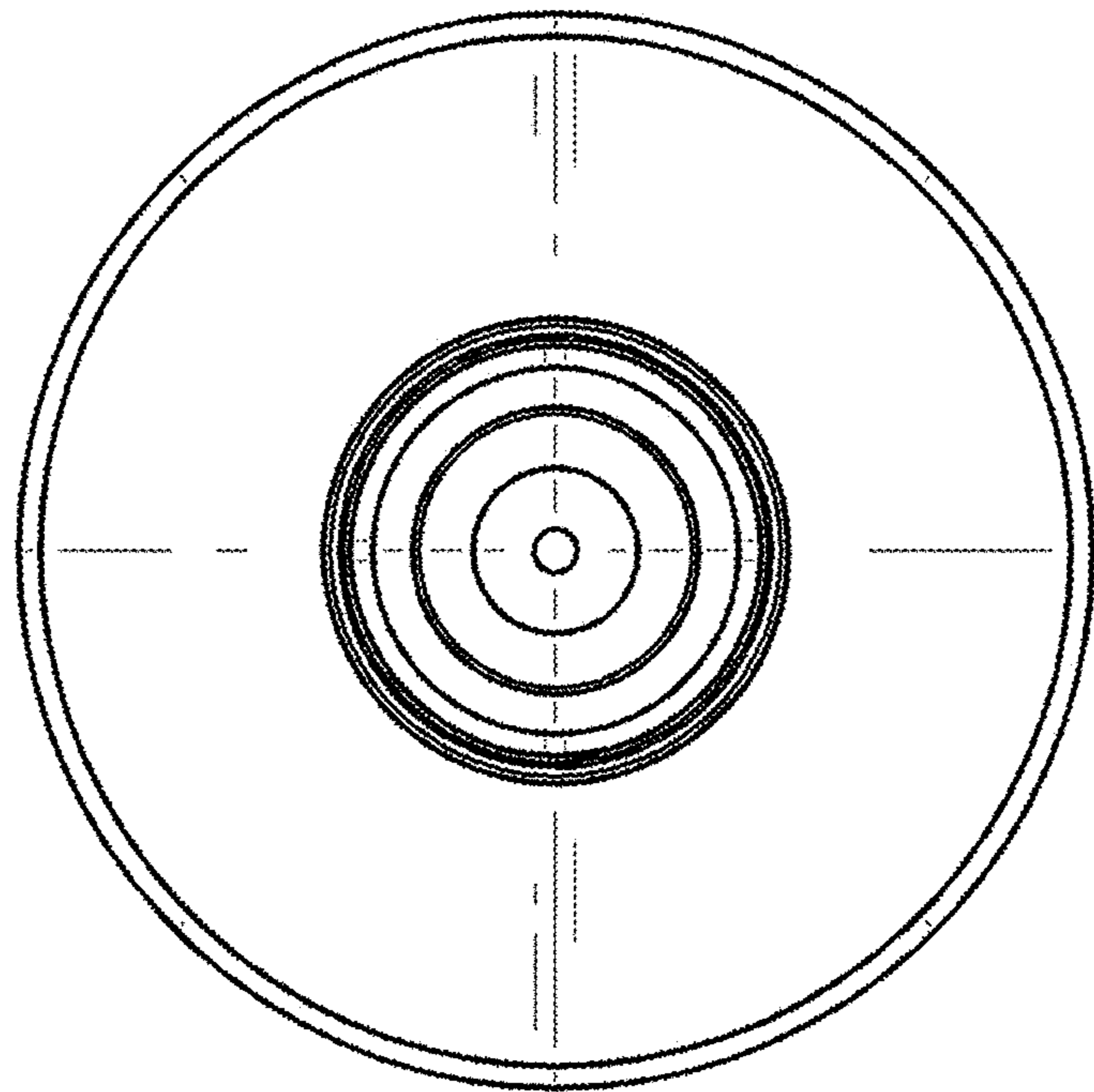


FIG. 7

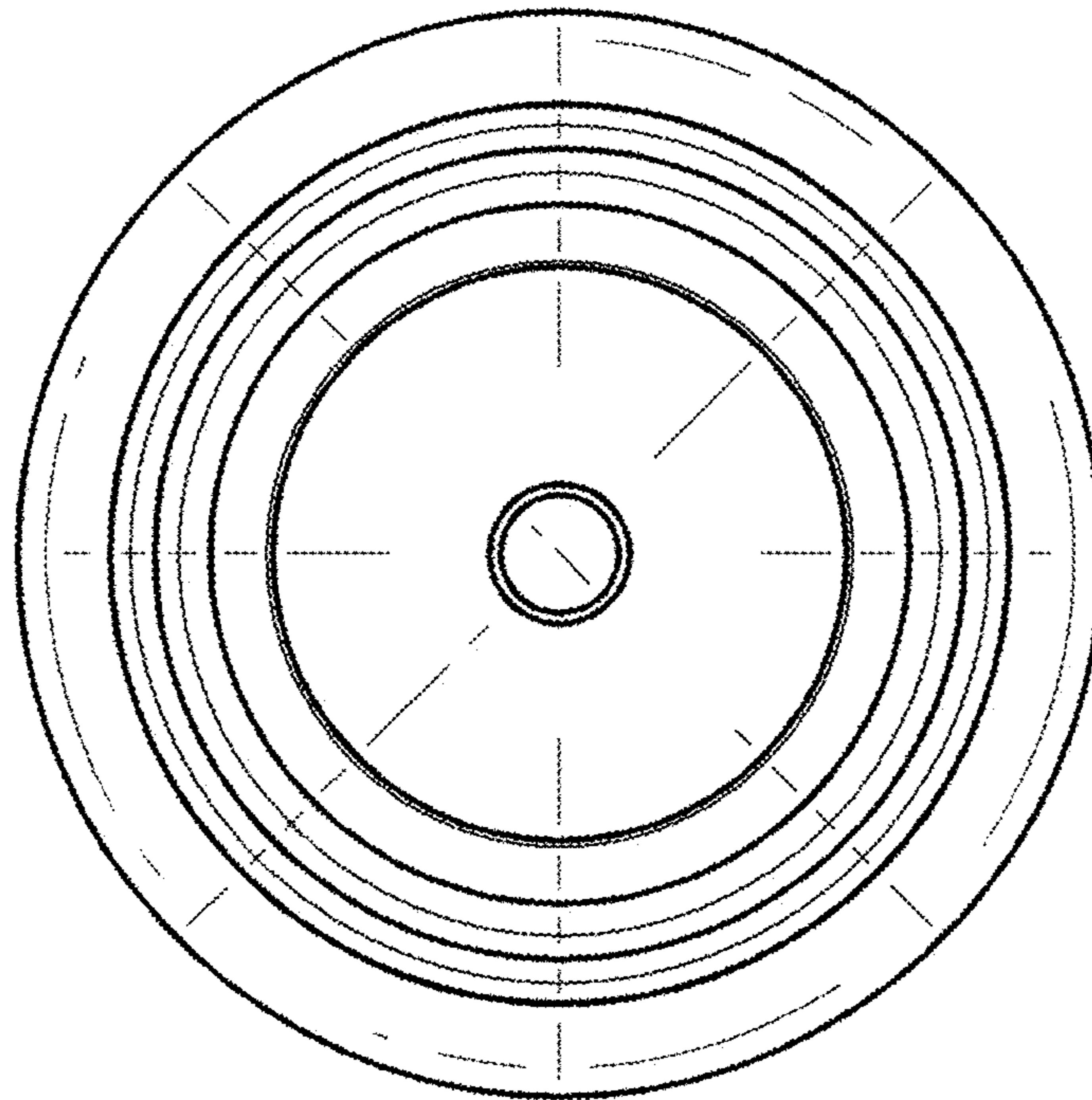


FIG. 8

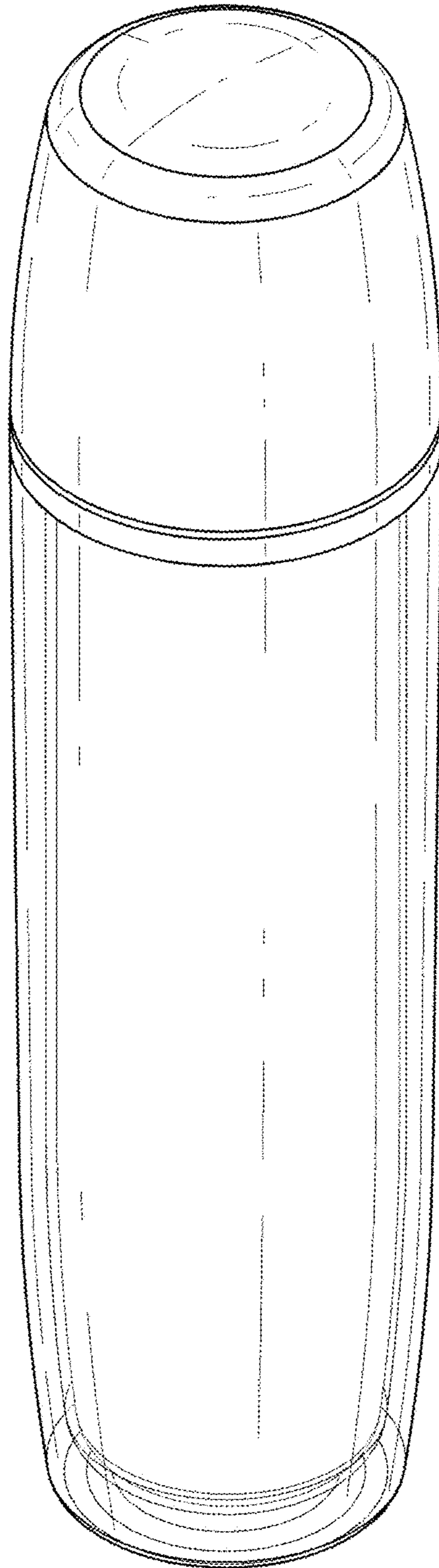


FIG. 9

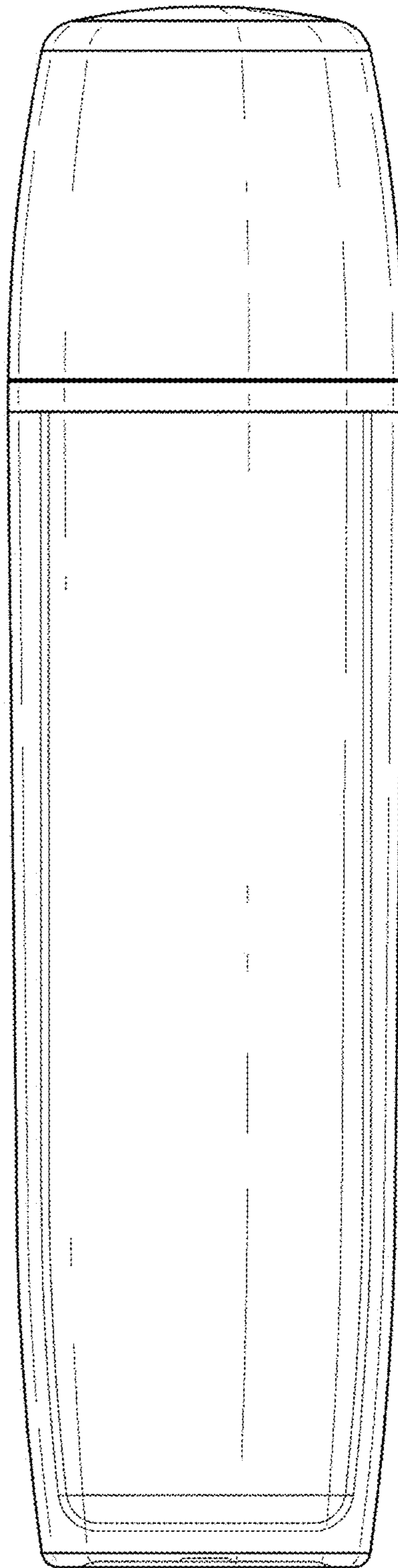


FIG. 10

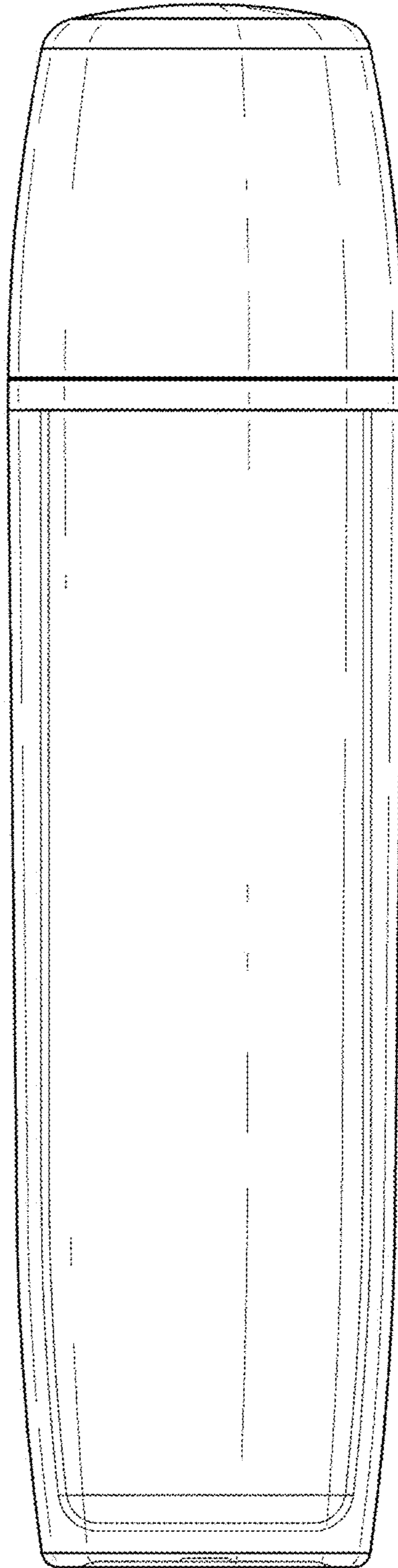


FIG. 11

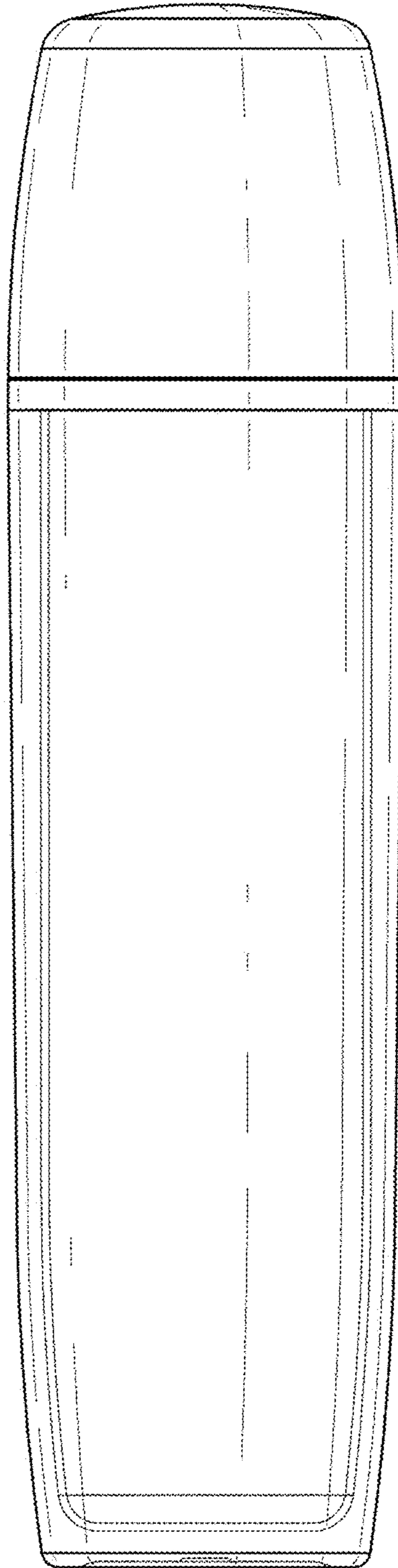


FIG. 12

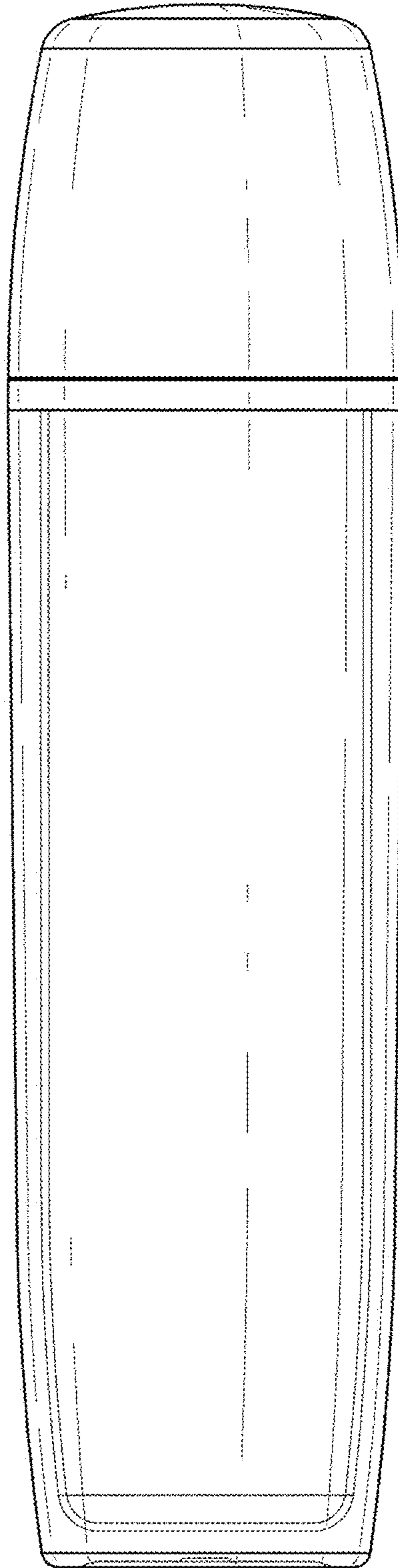


FIG. 13

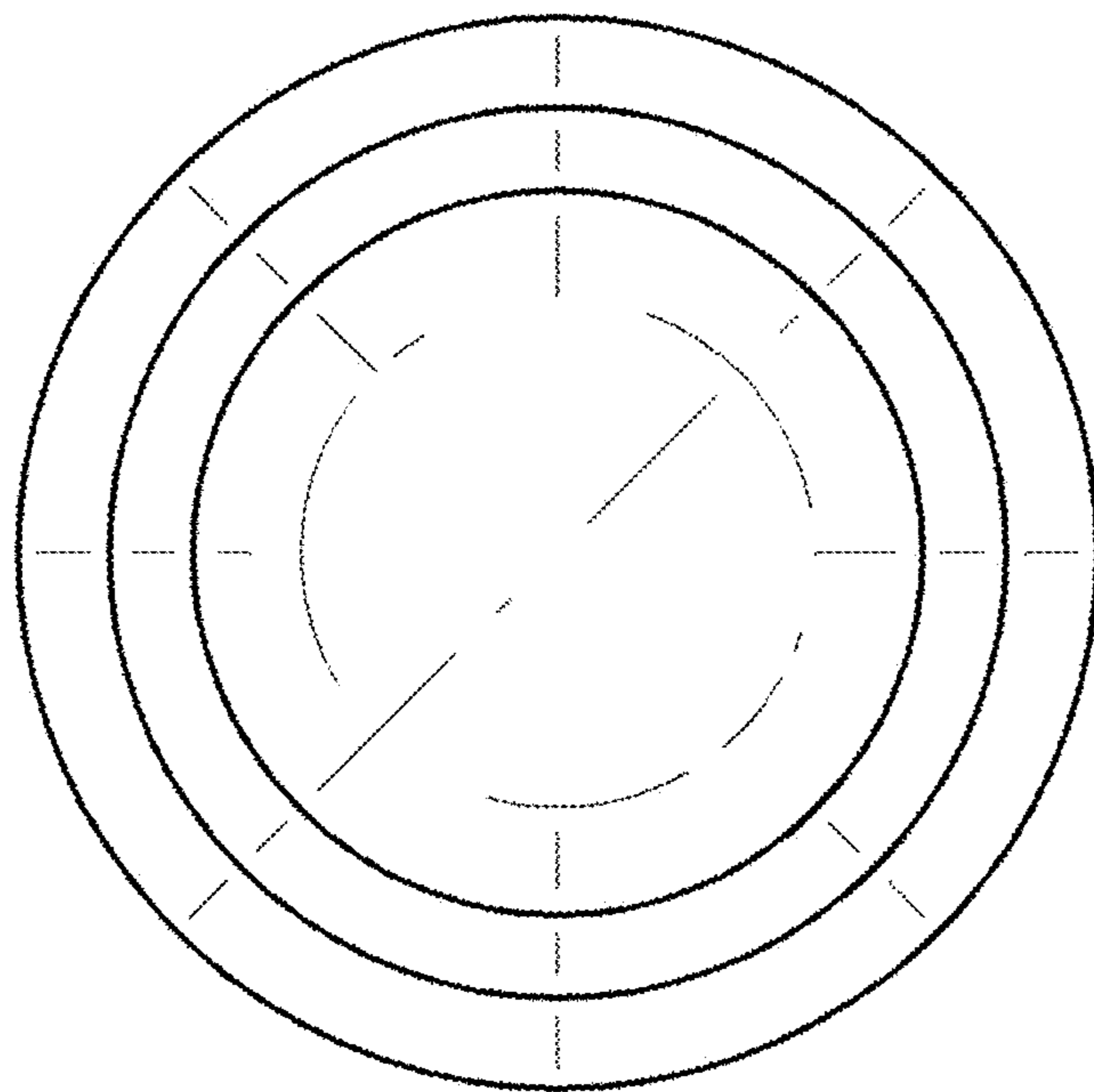


FIG. 14

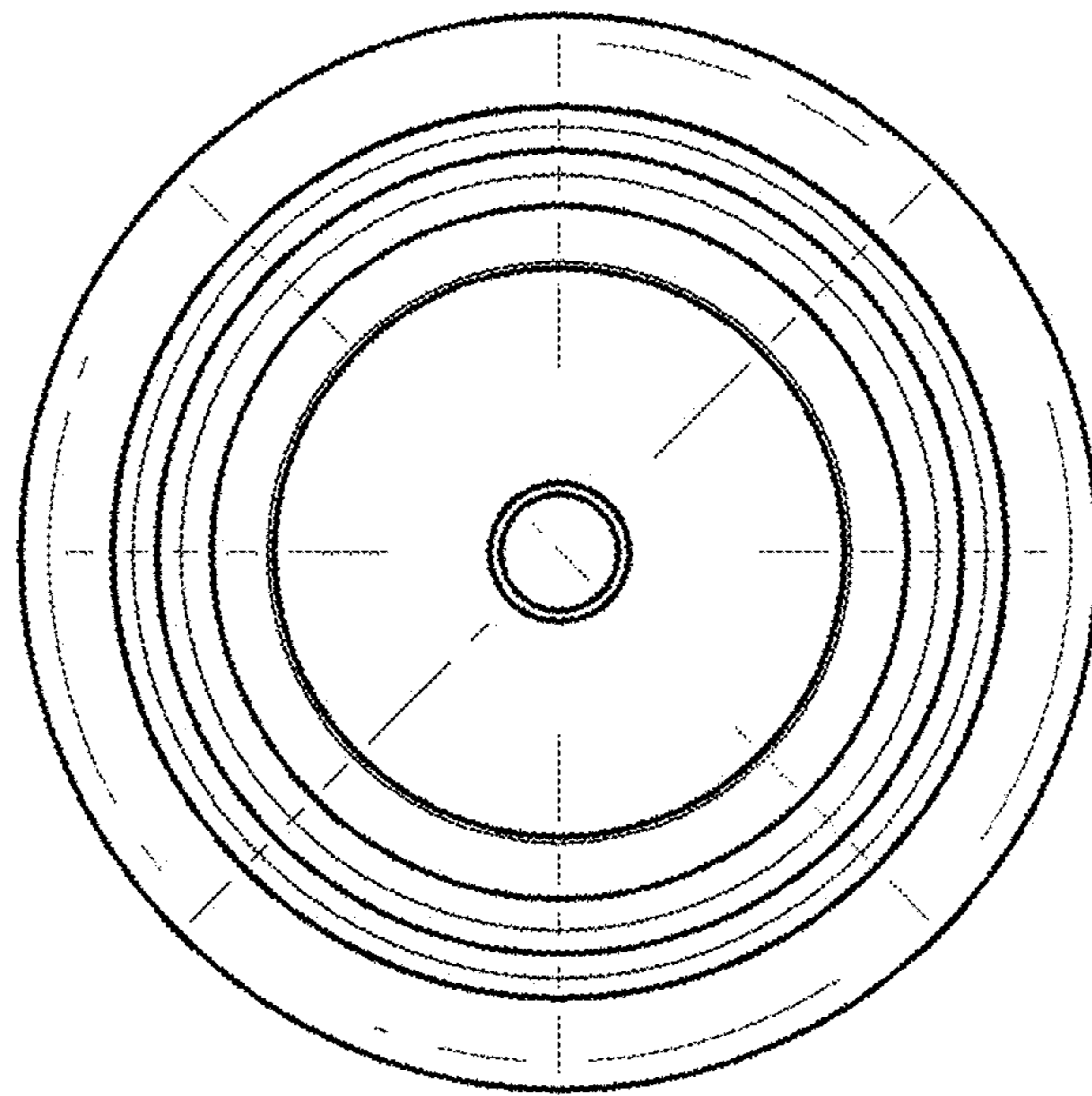


FIG. 15