

US00D892623S

(12) **United States Design Patent** (10) **Patent No.:** **US D892,623 S**
Aboabdo (45) **Date of Patent:** **** Aug. 11, 2020**

(54) **BOTTLE**

(71) Applicant: **Chubby Gorilla, Inc.**, Santa Fe Springs, CA (US)

(72) Inventor: **Ibrahiem H. Aboabdo**, Yorba Linda, CA (US)

(73) Assignee: **Chubby Gorilla, Inc.**, Fullerton, CA (US)

(**) Term: **15 Years**

(21) Appl. No.: **29/661,407**

(22) Filed: **Aug. 27, 2018**

(51) **LOC (12) Cl.** **09-01**

(52) **U.S. Cl.**
USPC **D9/503; D9/443; D9/452; D9/454; D9/521**

(58) **Field of Classification Search**

USPC D9/434–435, 443, 452, 454, 500, D9/503–504, 516, 521, 529, 549, 558, D9/715, 719; D3/203.2; D24/224; D27/183, 186, 189–191; D28/76, 88
CPC B65D 1/00; B65D 1/02; B65D 1/0223; B65D 23/00; B65D 51/32; B65D 2501/00; B65D 2501/0009

See application file for complete search history.

(56) **References Cited**

U.S. PATENT DOCUMENTS

D229,748 S *	1/1974	White	D24/224
D264,555 S *	5/1982	Rand	D9/521
D395,239 S *	6/1998	Davis	D9/521
D590,661 S *	4/2009	Kitamura	D7/510
D636,683 S *	4/2011	Floyd	D9/688
D668,778 S *	10/2012	Motadel	D24/224
D687,304 S *	8/2013	Tanner	D24/121

(Continued)

OTHER PUBLICATIONS

U.S. Appl. No. 29/665,474, Bottle, filed Oct. 3, 2018.

(Continued)

Primary Examiner — Dana Meyrow

(74) *Attorney, Agent, or Firm* — Knobbe Martens Olson & Bear, LLP

(57) **CLAIM**

The ornamental design for bottle, as shown and described herein.

DESCRIPTION

FIG. 1 is a top perspective view of a first embodiment of a bottle embodying the new design.

FIG. 2 is a bottom perspective view thereof.

FIG. 3 is a front view thereof.

FIG. 4 is a rear view thereof.

FIG. 5 is a first side view thereof.

FIG. 6 is a second side view thereof.

FIG. 7 is a top view thereof.

FIG. 8 is a bottom view thereof.

FIG. 9 is an exploded perspective view thereof.

FIG. 10 is an exploded front view thereof.

FIG. 11 is a top perspective view of a second embodiment of a bottle embodying the new design.

FIG. 12 is a bottom perspective view thereof.

FIG. 13 is a front view thereof.

FIG. 14 is a rear view thereof.

FIG. 15 is a first side view thereof.

FIG. 16 is a second side view thereof.

FIG. 17 is a top view thereof.

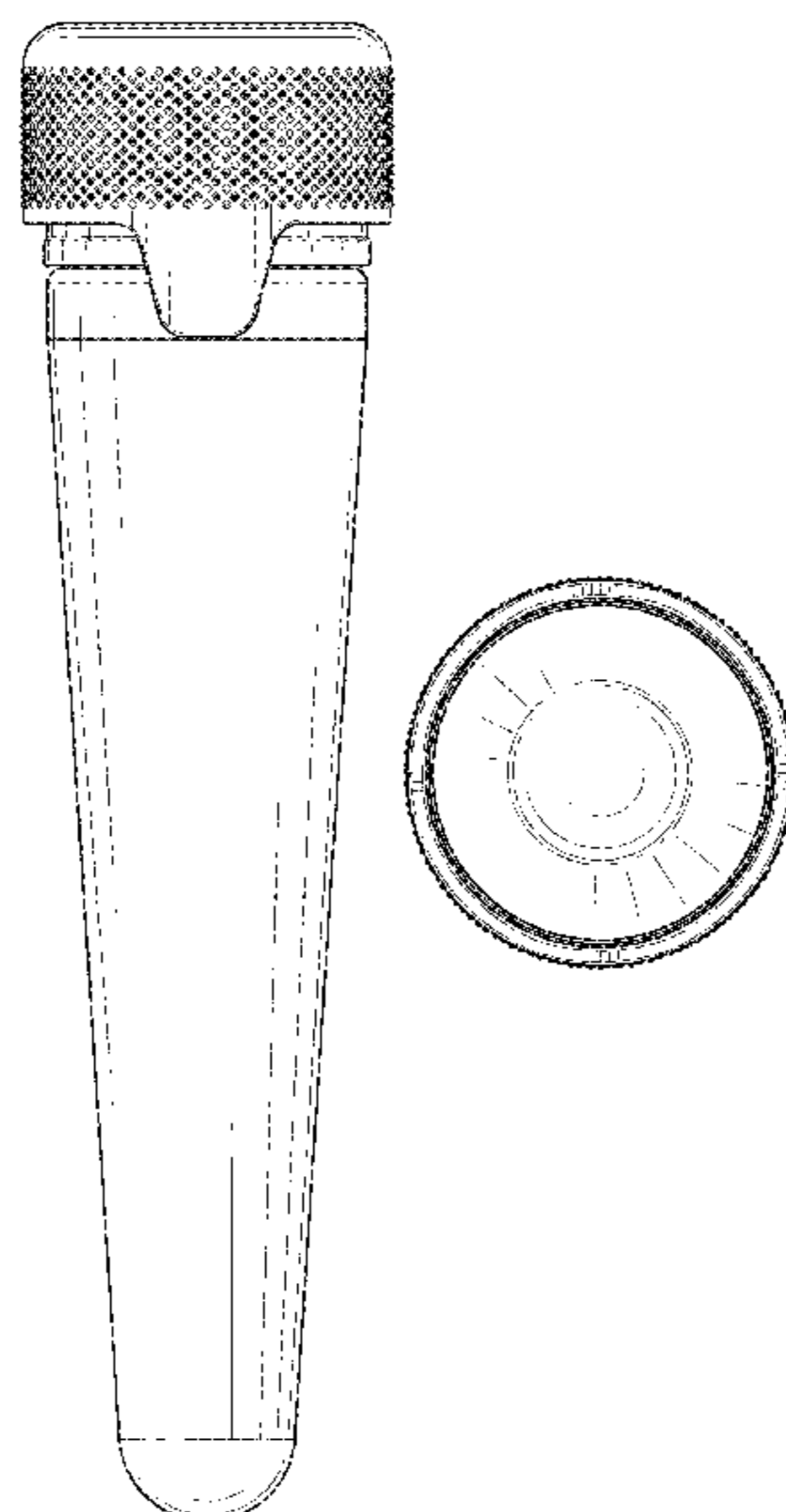
FIG. 18 is a bottom view thereof.

FIG. 19 is an exploded perspective view thereof; and,

FIG. 20 is an exploded front view thereof.

The broken lines in the drawings illustrate the portions of the dispenser that form no part of the claimed design. The second embodiment shows a symbolic break in the height of the dispenser. Any portion of the article between those break lines forms no part of the claim.

1 Claim, 18 Drawing Sheets



(56)

References Cited

U.S. PATENT DOCUMENTS

D709,624	S	*	7/2014	Baum	D24/224
D723,181	S	*	2/2015	Kawamura	D24/224
D749,420	S	*	2/2016	Kahlau	D9/420
D779,325	S	*	2/2017	Vigoureux	D7/601
D850,913	S	*	6/2019	Ke	D9/452
D854,929	S	*	7/2019	Bacher	A01G 31/02 D9/436
D869,757	S	*	12/2019	Simon	D28/7

OTHER PUBLICATIONS

U.S. Appl. No. 29/680,038, Cap, filed Feb. 12, 2019.

U.S. Appl. No. 29/715,985, Dispenser, filed Dec. 5, 2019.

U.S. Appl. No. 29/716,198, Dispenser, filed Dec. 6, 2019.

* cited by examiner

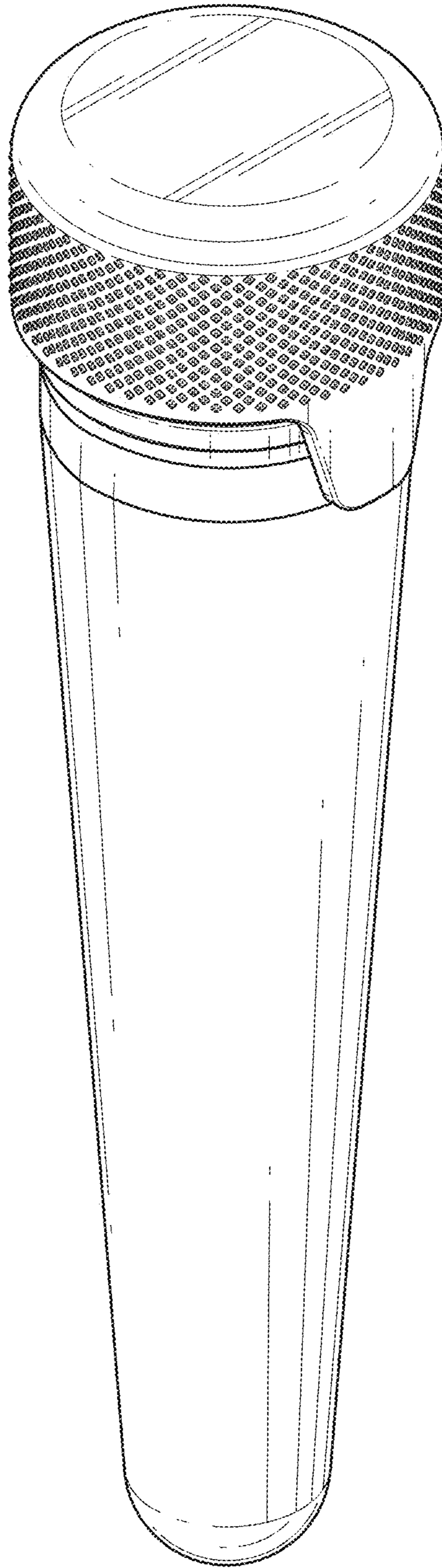


FIG. 1

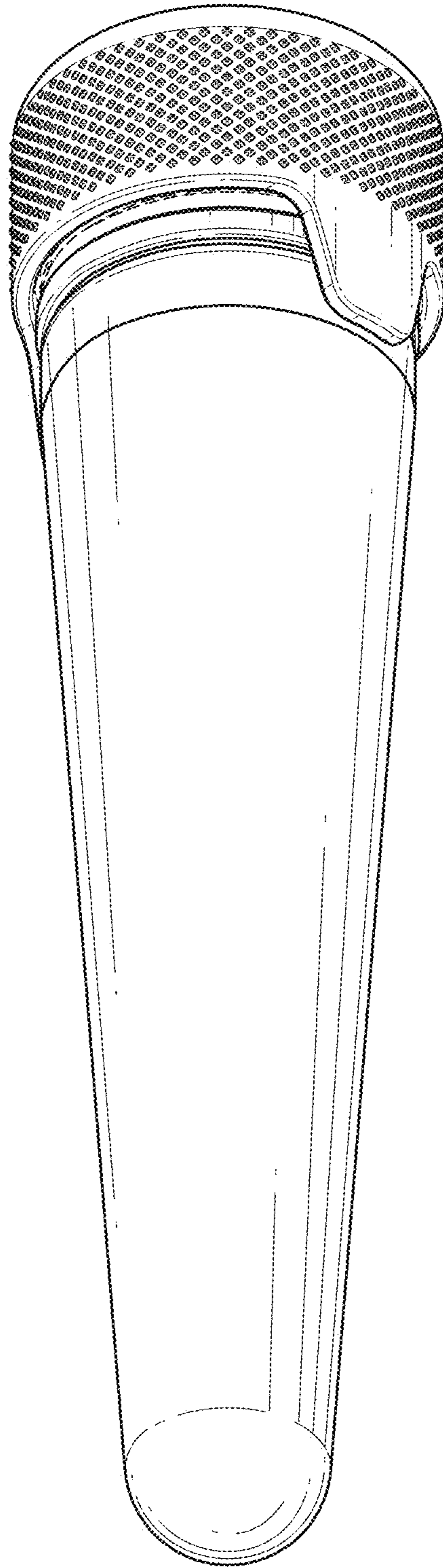


FIG. 2

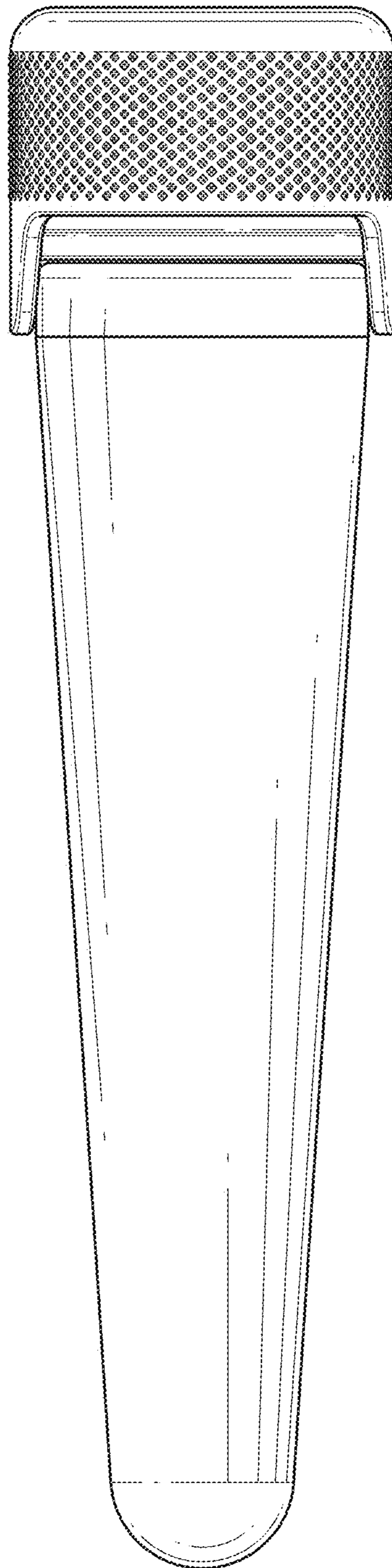


FIG. 3

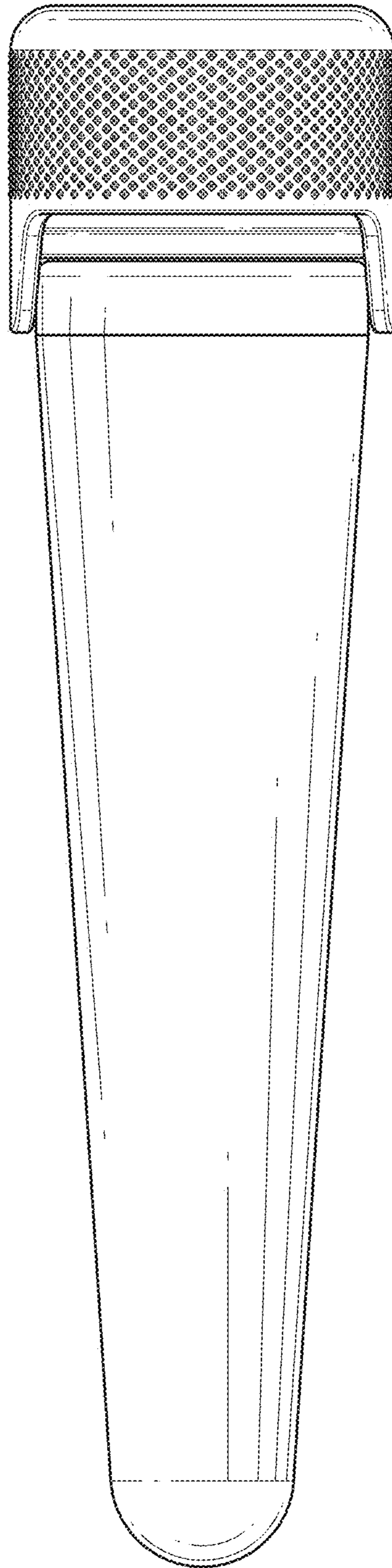


FIG. 4

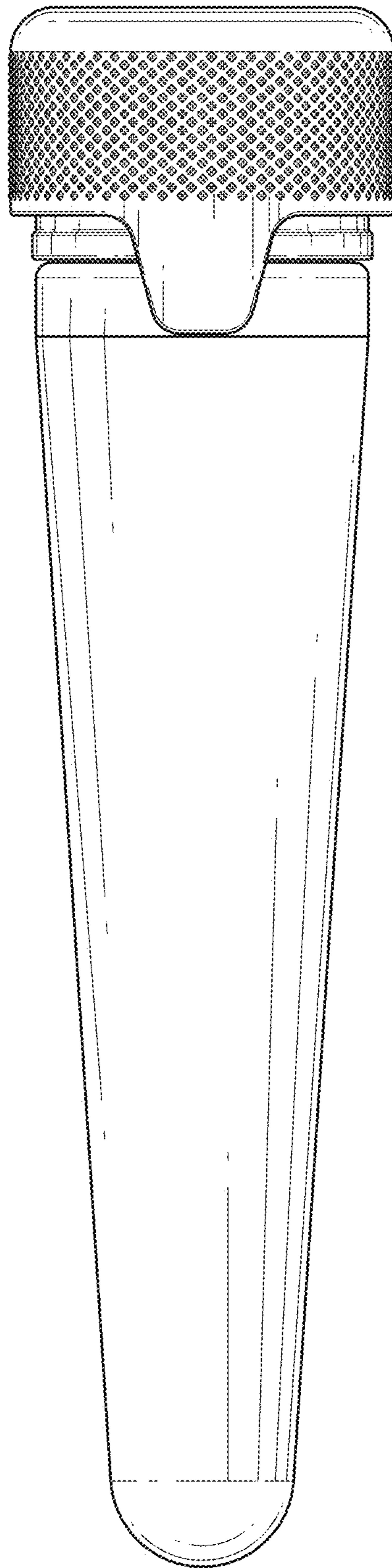


FIG. 5

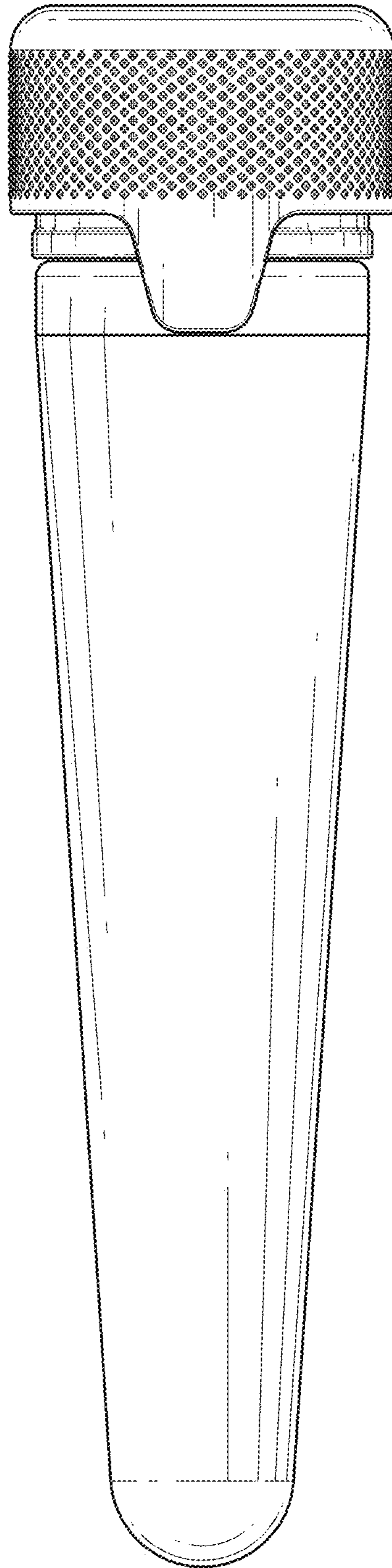


FIG. 6

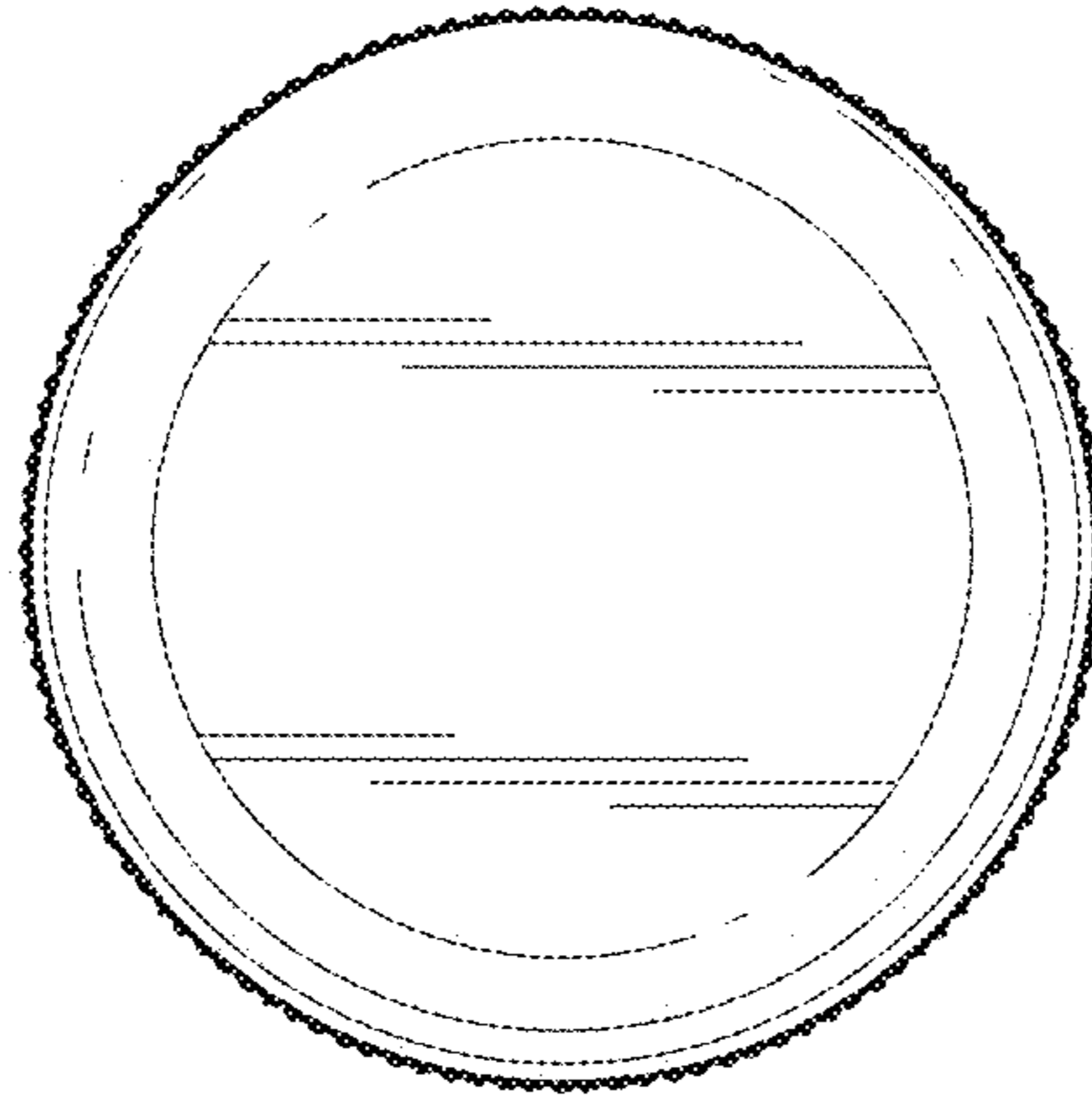


FIG. 7

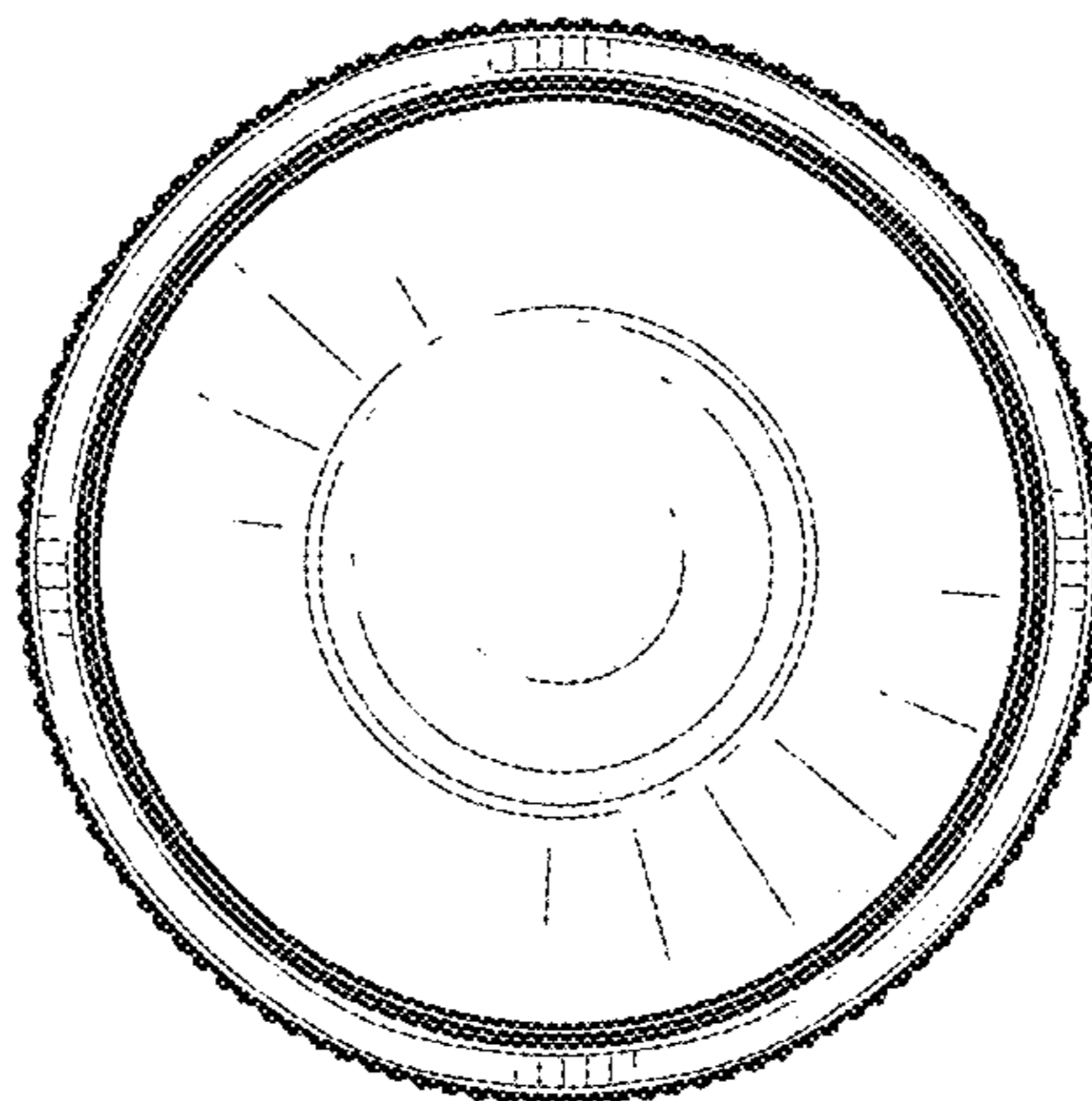


FIG. 8

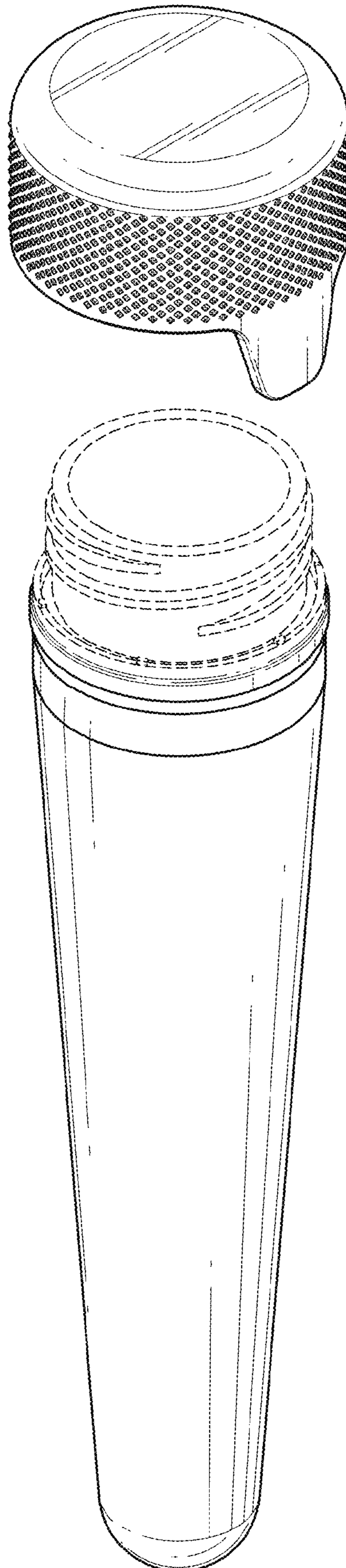


FIG. 9

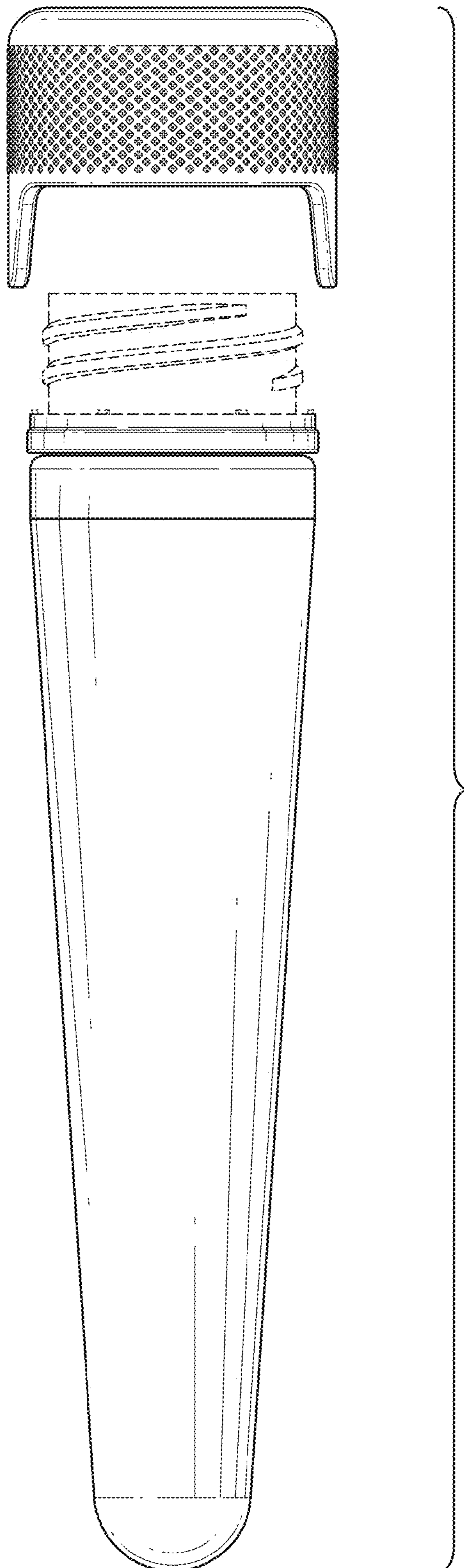


FIG. 10

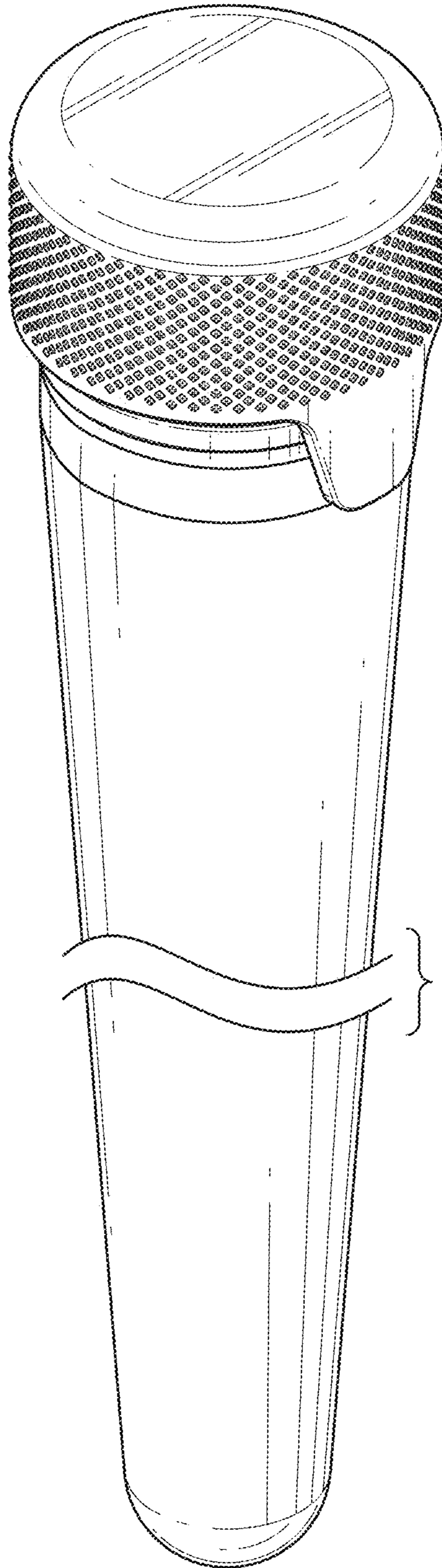


FIG. 11

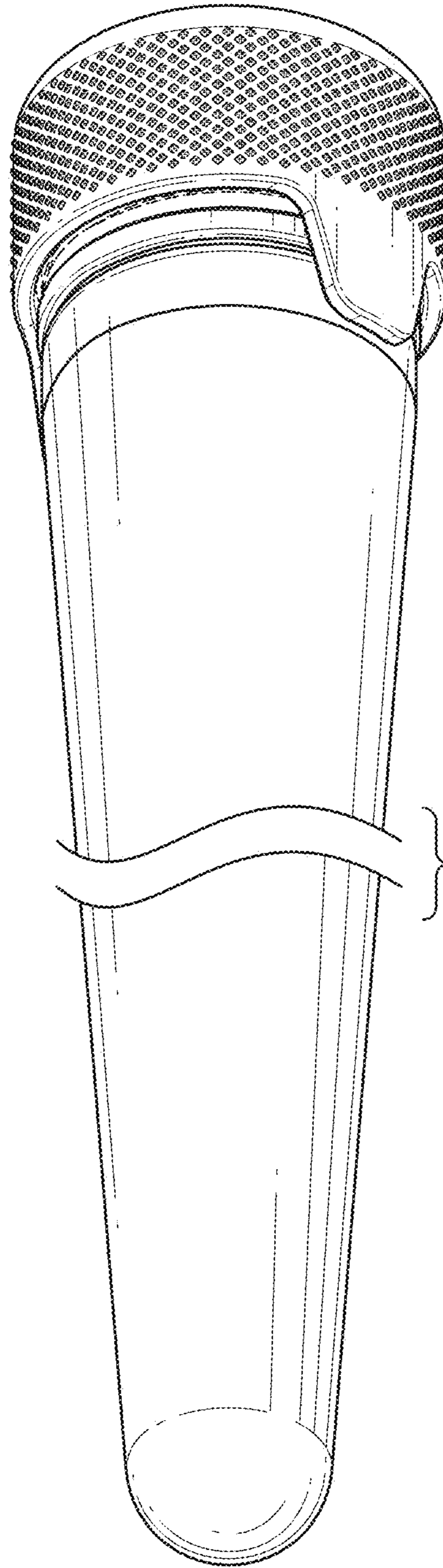


FIG. 12

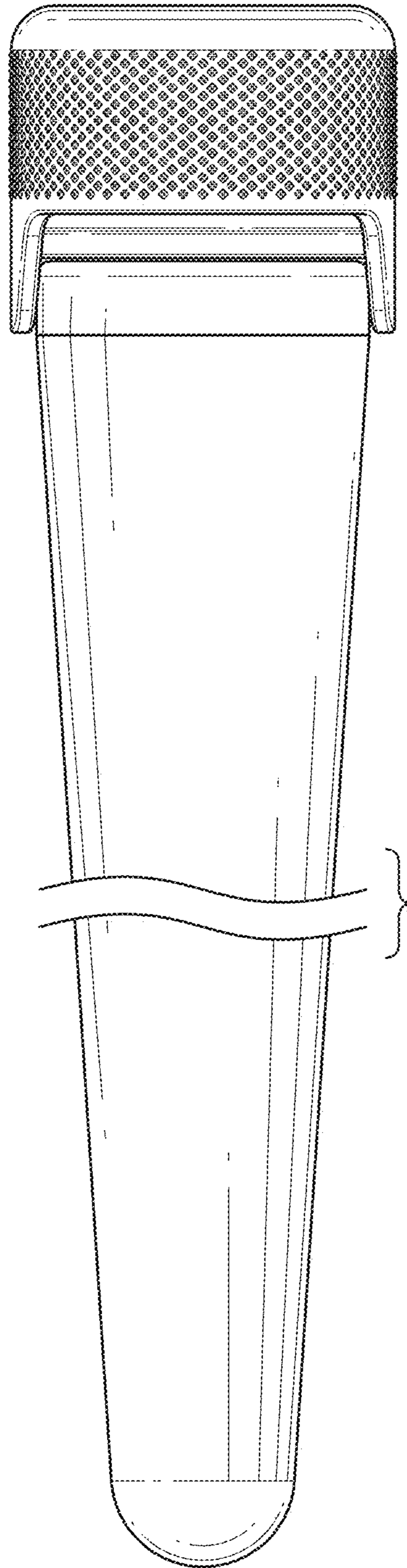


FIG. 13

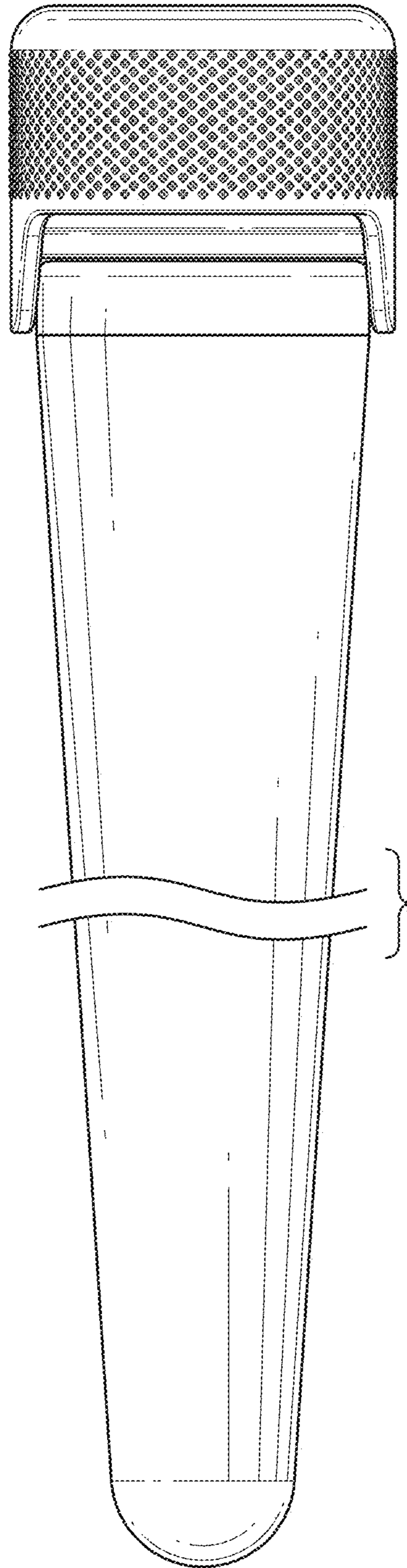


FIG. 14

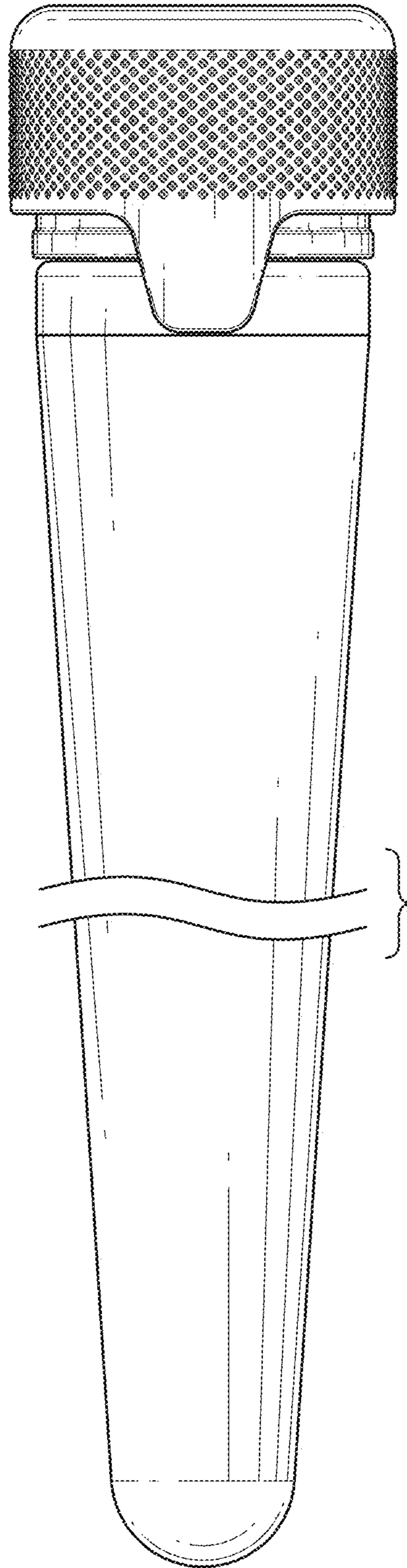


FIG. 15

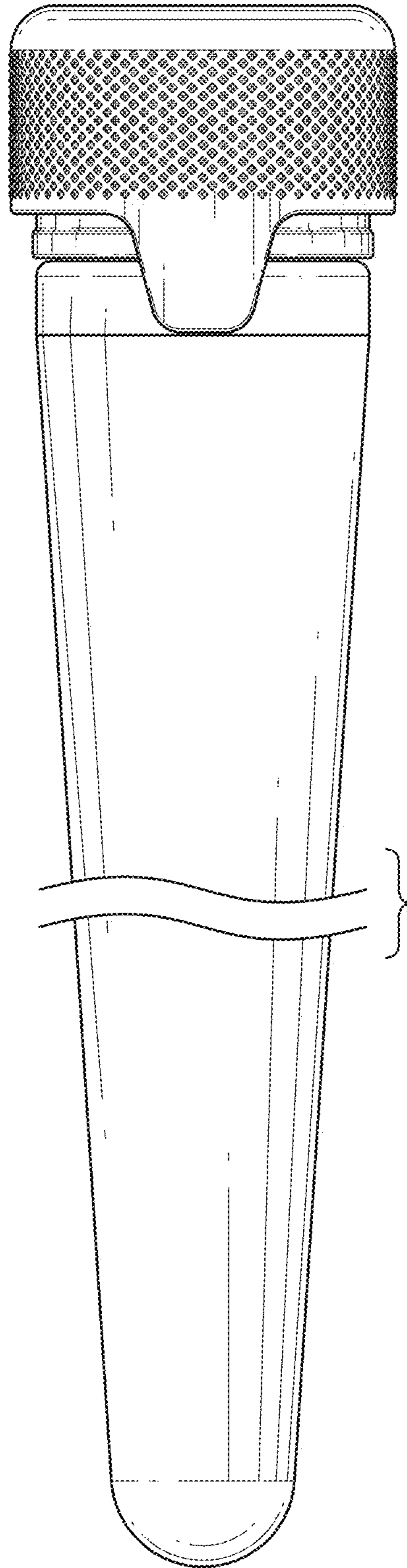


FIG. 16

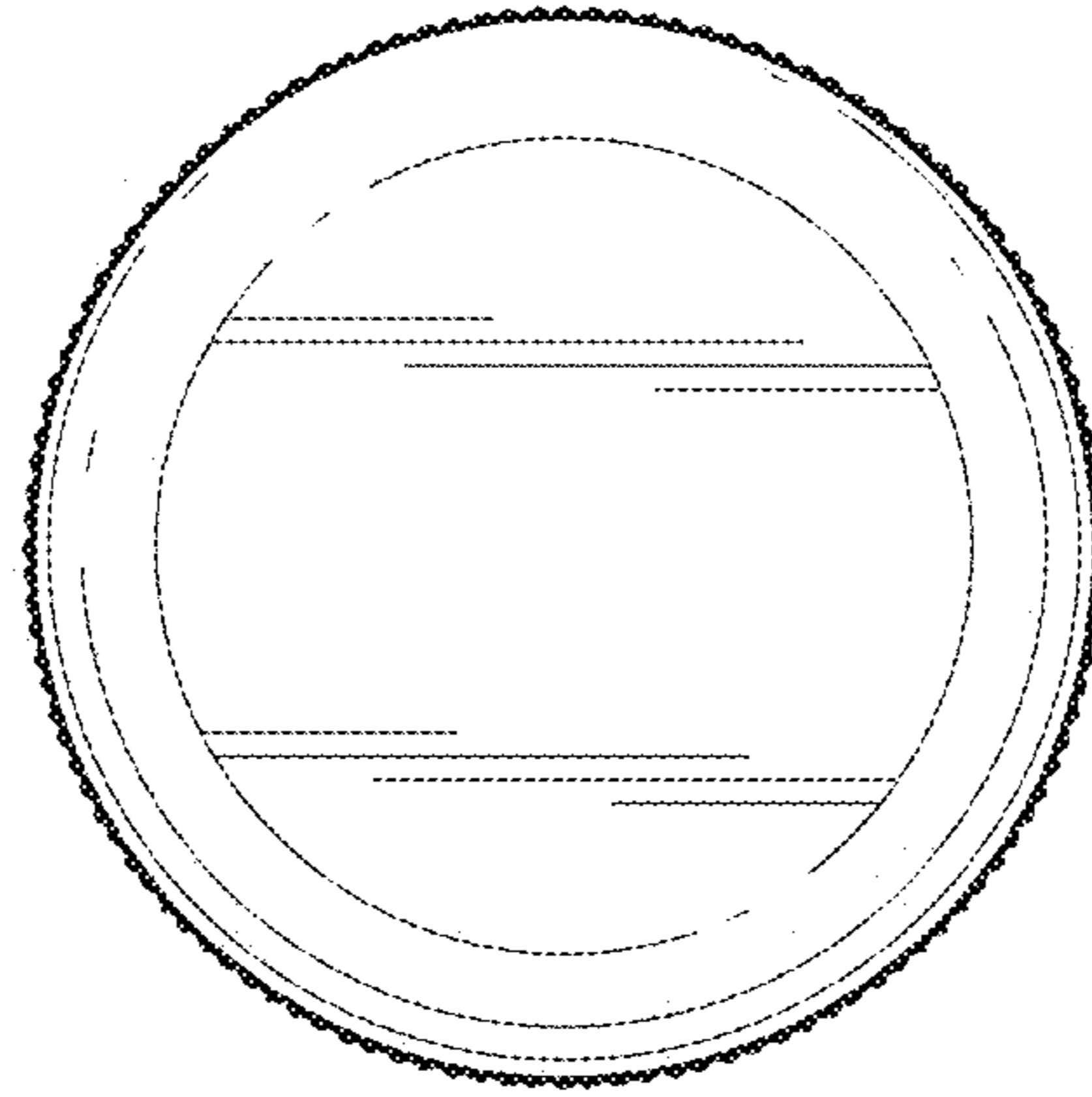


FIG. 17

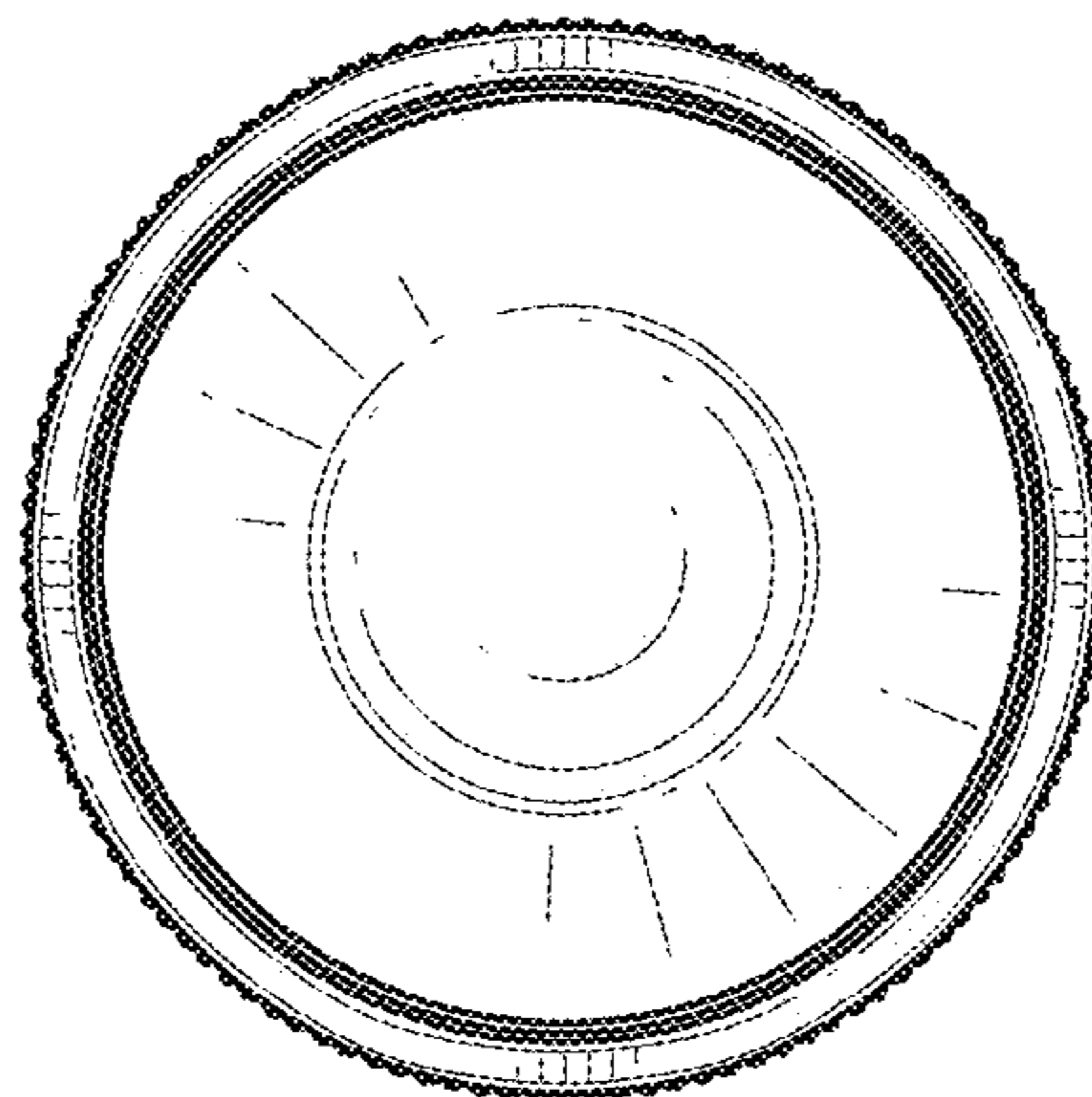


FIG. 18

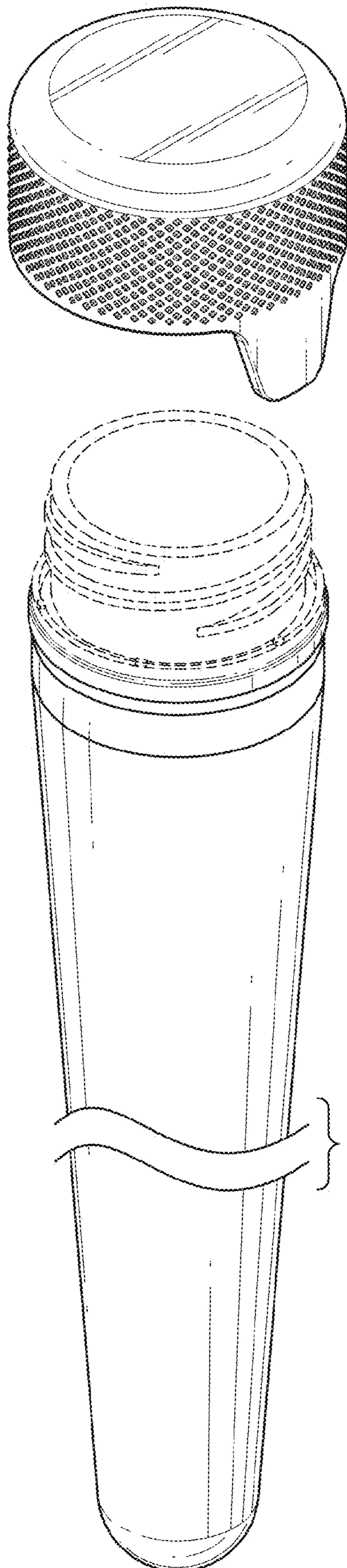


FIG. 19

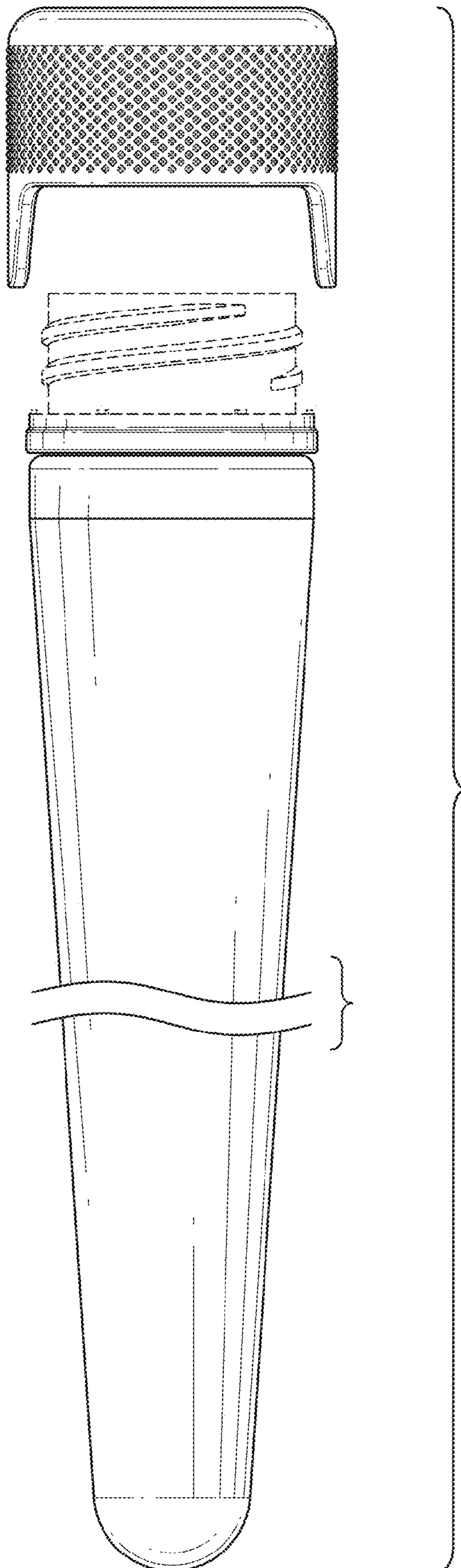


FIG. 20