



US00D892622S

(12) **United States Design Patent**
Sanders et al.

(10) **Patent No.:** **US D892,622 S**

(45) **Date of Patent:** **** Aug. 11, 2020**

(54) **FOOD CONTAINER**

(71) Applicant: **Kellogg Company**, Battle Creek, MI (US)

(72) Inventors: **Sean Sanders**, Chicago, IL (US);
Matthew J. Costello, Chicago, IL (US);
Derek A. Smith, Chicago, IL (US); **Jeff Nuss**, Hickory Corners, MI (US);
Donald Joswick, Portage, MI (US);
Mark Allen Fager, Madison, WI (US)

(73) Assignee: **KELLOGG COMPANY**, Battle Creek, MI (US)

(**) Term: **15 Years**

(21) Appl. No.: **29/604,912**

(22) Filed: **May 22, 2017**

(51) **LOC (12) Cl.** **09-03**

(52) **U.S. Cl.**
USPC **D9/503**; D9/436; D9/454; D9/717

(58) **Field of Classification Search**
USPC D9/414, 424, 428, 434-436, 454,
D9/500-501, 503-504, 516, 519, 529,
D9/549, 558, 715-718; D7/505, 653;
D32/29.1, 75
CPC . B65D 1/00; B65D 1/10; B65D 23/00; B65D
2501/00; B65D 2501/0009
See application file for complete search history.

(56) **References Cited**

U.S. PATENT DOCUMENTS

D224,516 S * 8/1972 Amberg D9/500
D318,613 S * 7/1991 Halm D23/366

D513,979 S * 1/2006 Snedden D9/418
D536,221 S * 2/2007 Kamins D7/643
D547,124 S * 7/2007 Peretz D7/505
D552,473 S * 10/2007 Simkin D9/516
D561,030 S * 2/2008 Simkin D9/519
D563,167 S * 3/2008 Snedden D7/505
D612,245 S * 3/2010 Canamasas Puigbo D9/519
D664,853 S * 8/2012 Kipry D28/73
D699,578 S * 2/2014 Marina D9/500
D701,767 S * 4/2014 Marina D9/500
D703,487 S * 4/2014 Marina D7/507
D715,646 S * 10/2014 Fraser D9/436
D717,651 S * 11/2014 Marina D9/454
D729,370 S * 5/2015 Chou D23/366
D760,527 S * 7/2016 Jones D7/300

* cited by examiner

Primary Examiner — Dana Meyrow

(74) *Attorney, Agent, or Firm* — Honigman LLP; Kathryn D. Doyle, Esq.; Jonathan P. O'Brien

(57) **CLAIM**

We claim the ornamental design for a food container, as shown and described.

DESCRIPTION

FIG. 1 is a perspective view of a food container in accordance with our new design;
FIG. 2 is a top plan view of the food container of FIG. 1;
FIG. 3 is a front elevation view of the food container of FIG. 1, a rear elevation view being identical thereof; and,
FIG. 4 is a side elevation view of the food container of FIG. 1, an opposite side elevation view being identical thereto.
The broken lines shown throughout the drawing figures are for illustrative purposes only and form no part of the claim.

1 Claim, 3 Drawing Sheets

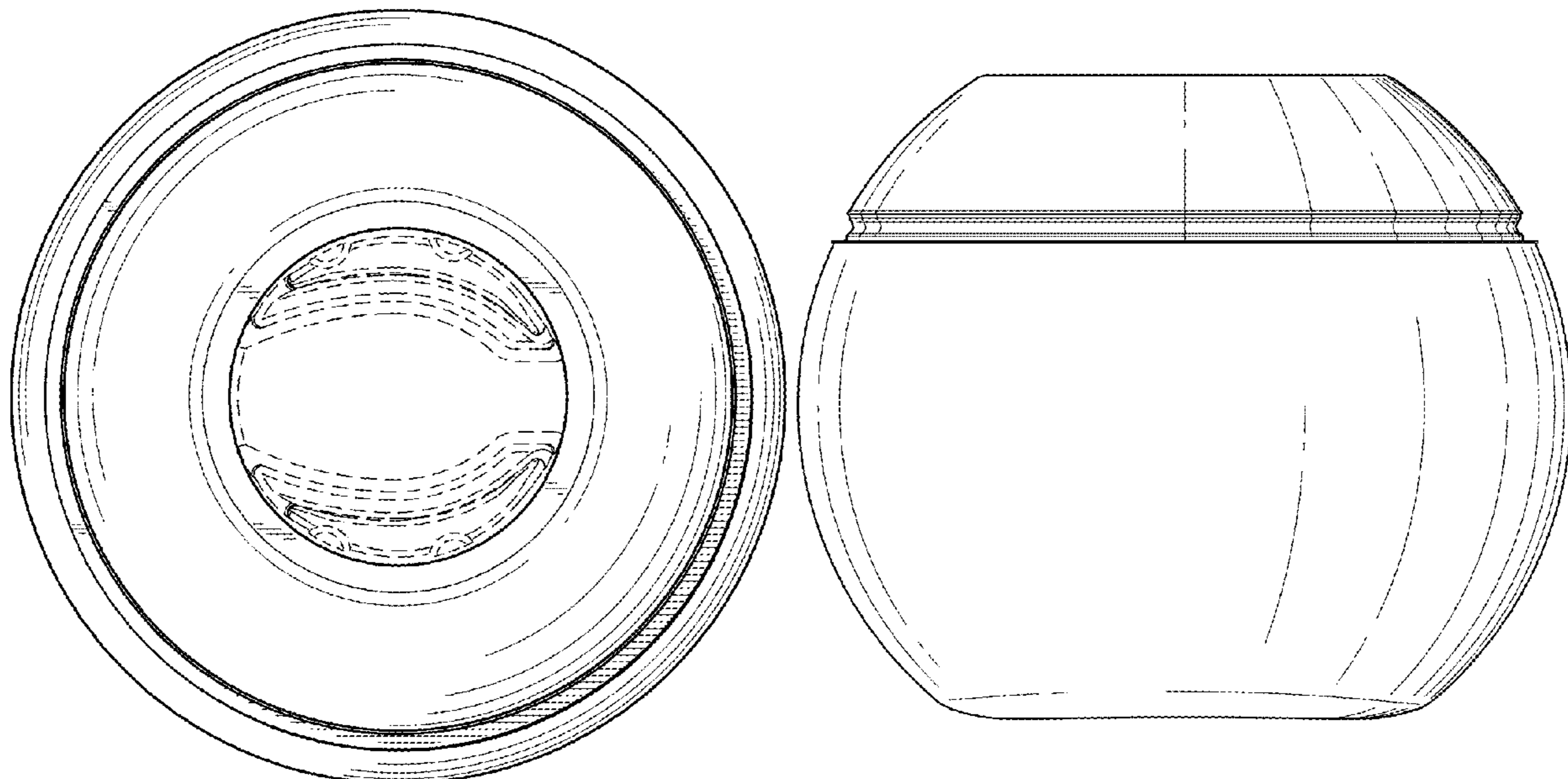


FIG. 1

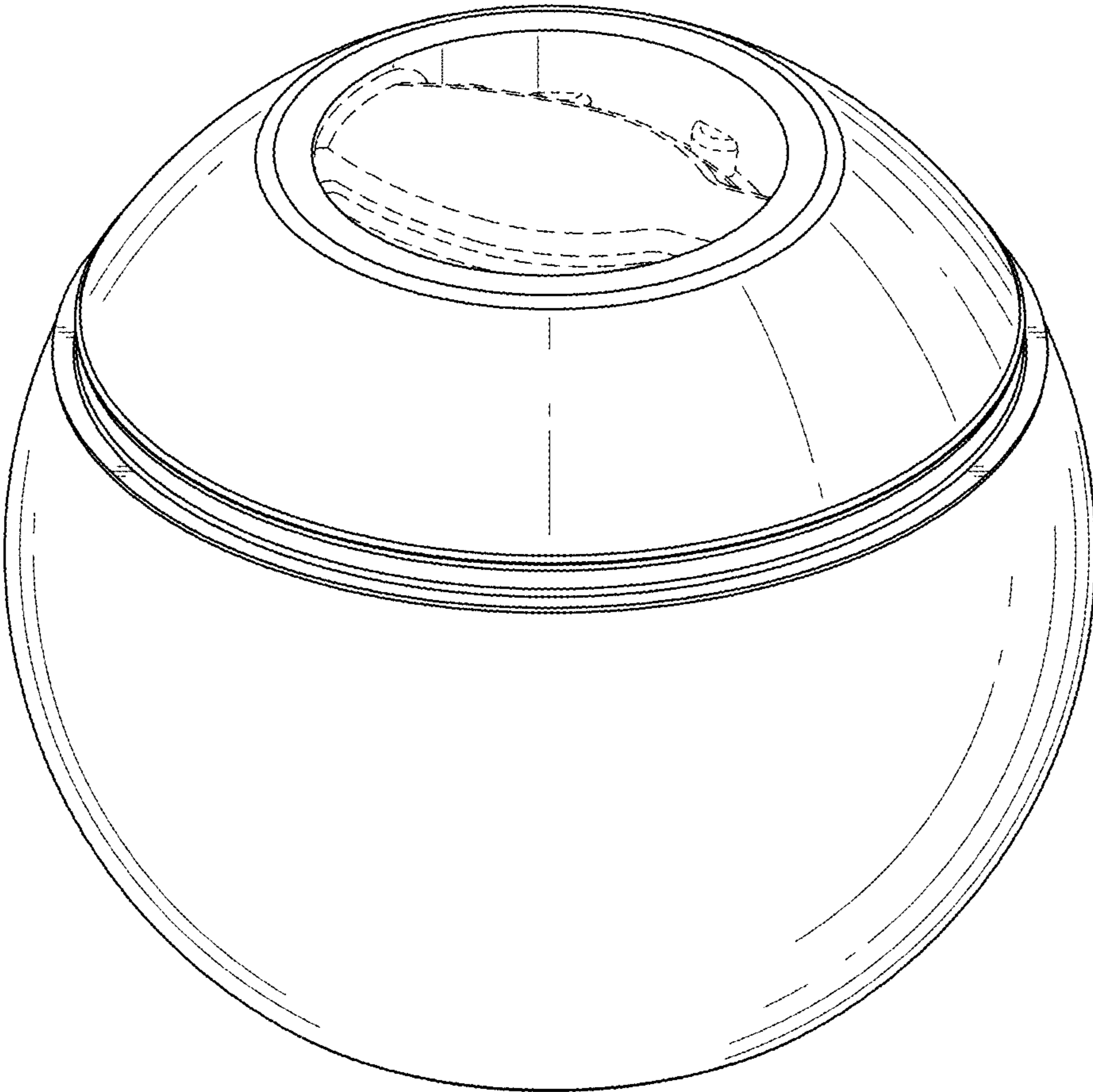


FIG. 2

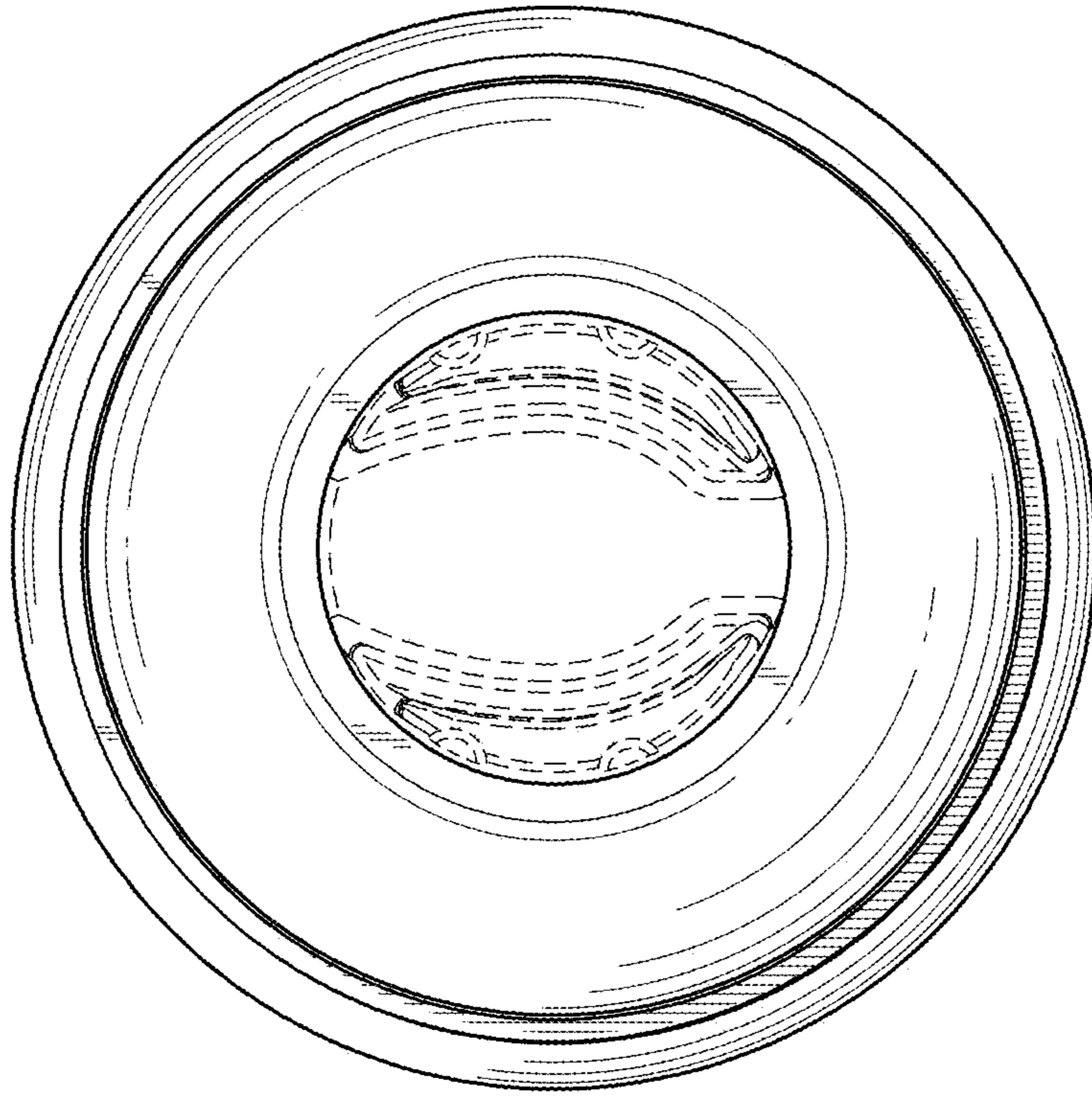


FIG. 3

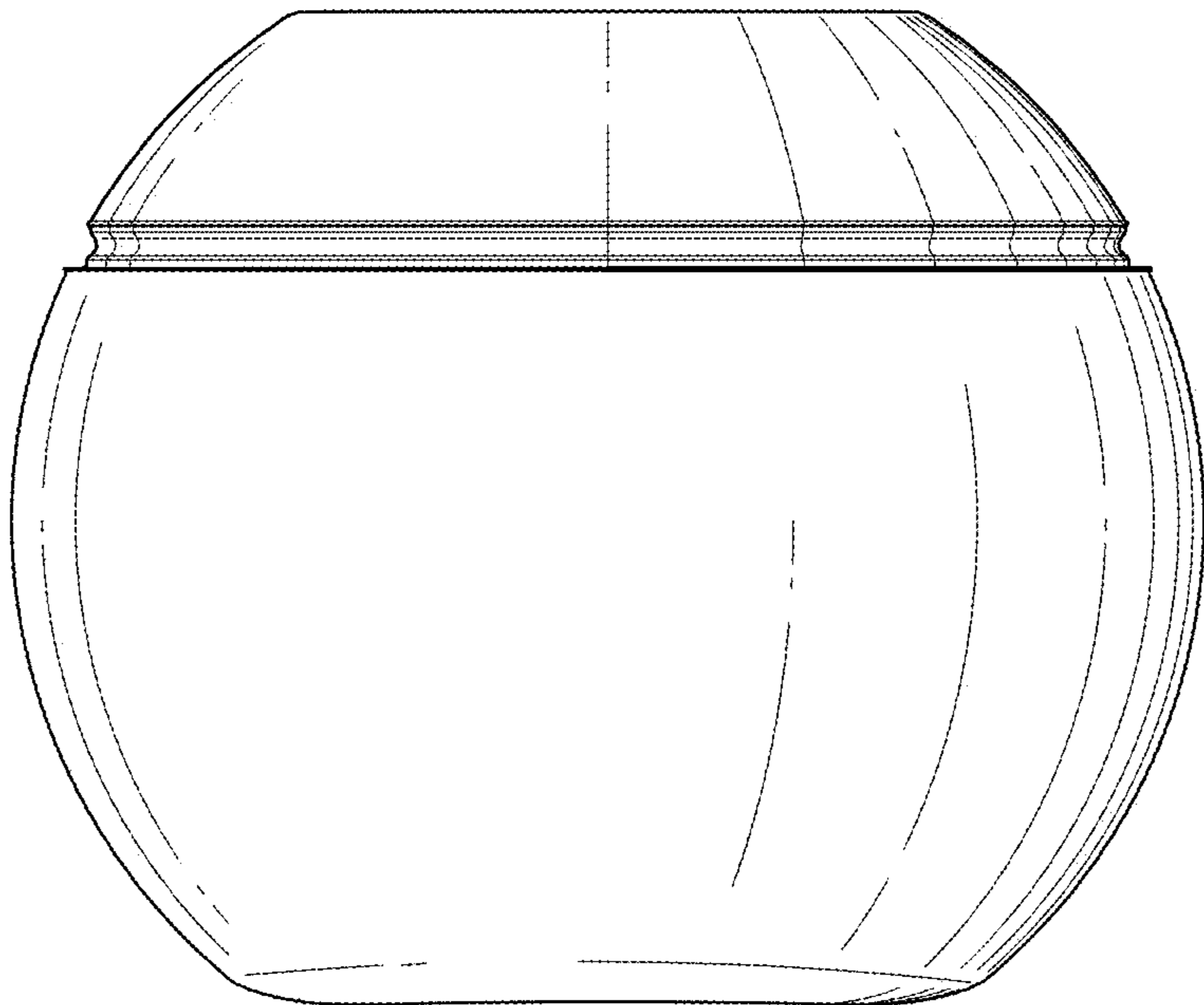


FIG. 4

