



US00D892620S

(12) **United States Design Patent** (10) **Patent No.:** **US D892,620 S**
Kaye et al. (45) **Date of Patent:** **** Aug. 11, 2020**

(54) **BOTTLE WITH CAP**
(71) Applicant: **Henkel IP & Holding GmbH**,
Duesseldorf (DE)
(72) Inventors: **Glenn W. Kaye**, Stamford, CT (US);
Elizabeth Meriwether Boyd, Auburn,
AL (US); **George William Hann, II**,
Tolland, CT (US)
(73) Assignee: **Henkel IP & Holding GmbH** (DE)
(**) Term: **15 Years**
(21) Appl. No.: **29/646,702**
(22) Filed: **May 7, 2018**
(51) **LOC (12) Cl.** **09-01**
(52) **U.S. Cl.**
USPC **D9/500**; D9/454
(58) **Field of Classification Search**
USPC D9/434–435, 444–445, 454, 500,
D9/503–504, 516, 530, 537, 539, 549,
D9/558, 715, 719; D7/509–511, 523, 608
CPC B65D 1/00; B65D 1/02; B65D 1/0223;
B65D 23/00; B65D 81/00; B65D
2501/00; B65D 2501/0009
See application file for complete search history.

(56) **References Cited**
U.S. PATENT DOCUMENTS
D406,764 S * 3/1999 Bright D9/503
D426,773 S * 6/2000 Warner D9/449
D436,501 S * 1/2001 Huang D7/608
D441,872 S * 5/2001 Johansen D24/197
D513,185 S * 12/2005 Ruiz D1/105
D528,001 S * 9/2006 Schroeder D9/502
D553,003 S * 10/2007 Baker D9/691
D562,696 S * 2/2008 Baker D9/691
D562,697 S * 2/2008 Baker D9/691
D577,583 S * 9/2008 Porter D9/447

D580,765 S 11/2008 Amann
D604,641 S * 11/2009 Renz D9/500
D628,486 S * 12/2010 Lane D7/510
D647,802 S * 11/2011 Bunce D9/504
D661,192 S * 6/2012 Hwang D9/504
D661,987 S * 6/2012 Broen D9/435
D674,279 S * 1/2013 Lembke D7/509
D686,918 S * 7/2013 Lembke D9/500
9,004,292 B2 * 4/2015 Carter A47G 19/2266
210/263
D740,609 S * 10/2015 Ayres D7/523
D796,261 S * 9/2017 Khalifa D7/392.1
D803,059 S * 11/2017 Matthieu D9/500
D807,179 S * 1/2018 Herbst D9/500
D813,674 S * 3/2018 Peacock D9/500
D823,475 S * 7/2018 Brown D24/197
D858,199 S * 9/2019 Burns D7/511
2013/0199989 A1 * 8/2013 Carter A47G 19/2266
210/464

* cited by examiner

Primary Examiner — Dana Meyrow
(74) *Attorney, Agent, or Firm* — Bojuan Deng

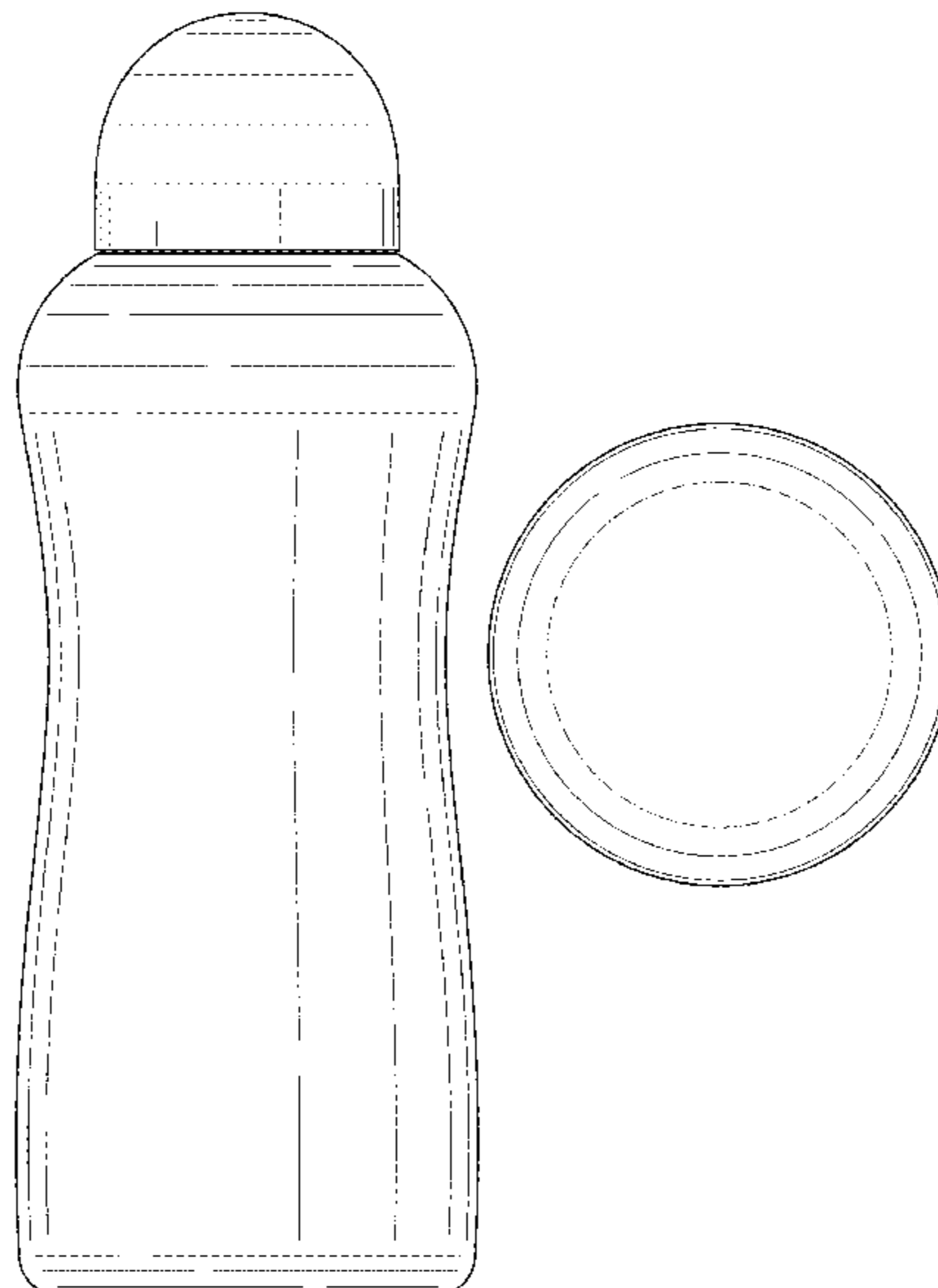
(57) **CLAIM**

The ornamental design for bottle with cap, as shown and described.

DESCRIPTION

FIG. 1 is a front perspective view of a bottle with cap embodying the new design;
FIG. 2 is a front side elevation view thereof;
FIG. 3 is a rear side elevation view thereof;
FIG. 4 is a right side elevation view thereof;
FIG. 5 is a left side elevation view thereof;
FIG. 6 is a top plan view thereof; and,
FIG. 7 is a bottom plan view thereof.
The evenly-dashed broken lines in the drawings illustrate the portions of the bottle that form no part of the claimed design. The dot-dash broken lines in the drawings define the bounds of the claim and form no part thereof.

1 Claim, 6 Drawing Sheets



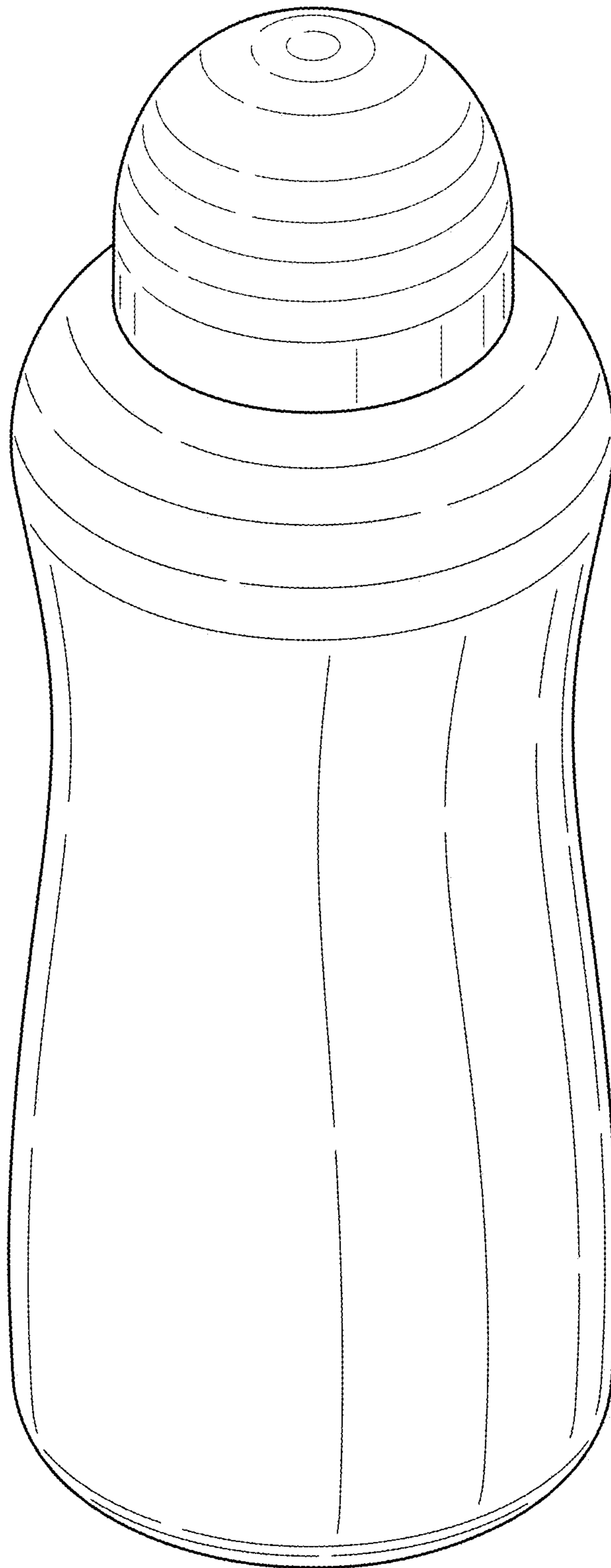


FIG. 1

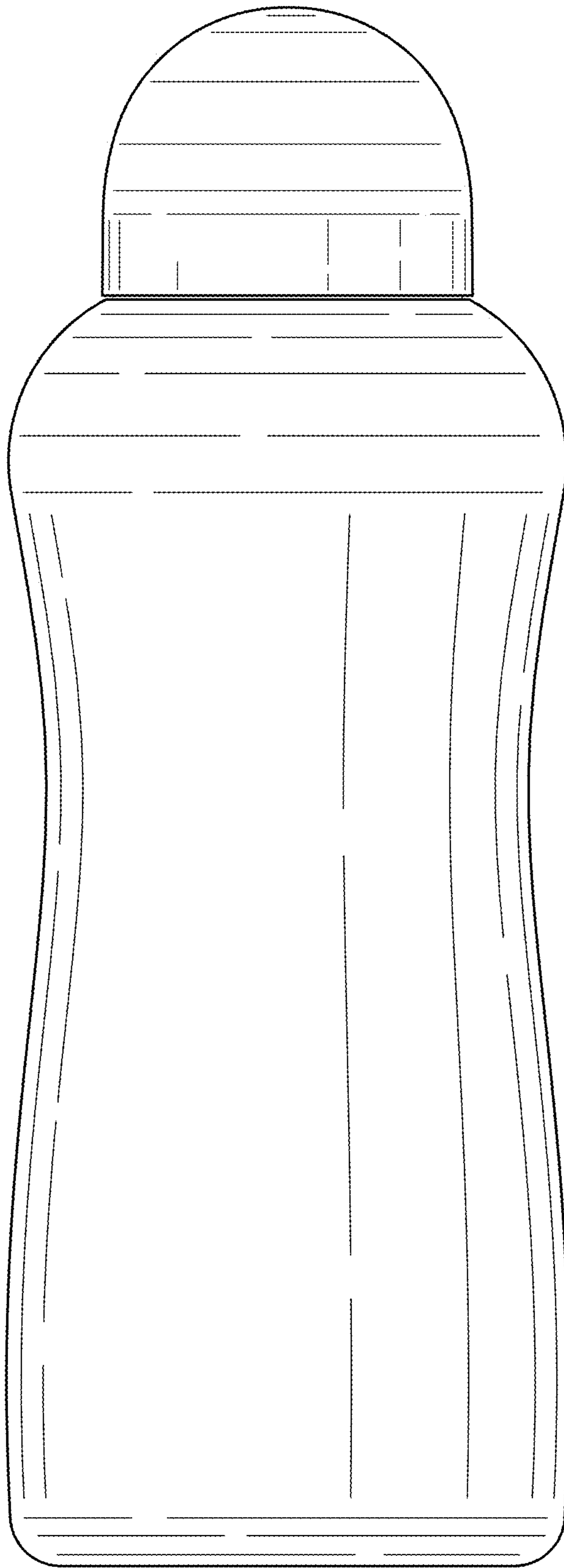


FIG. 2

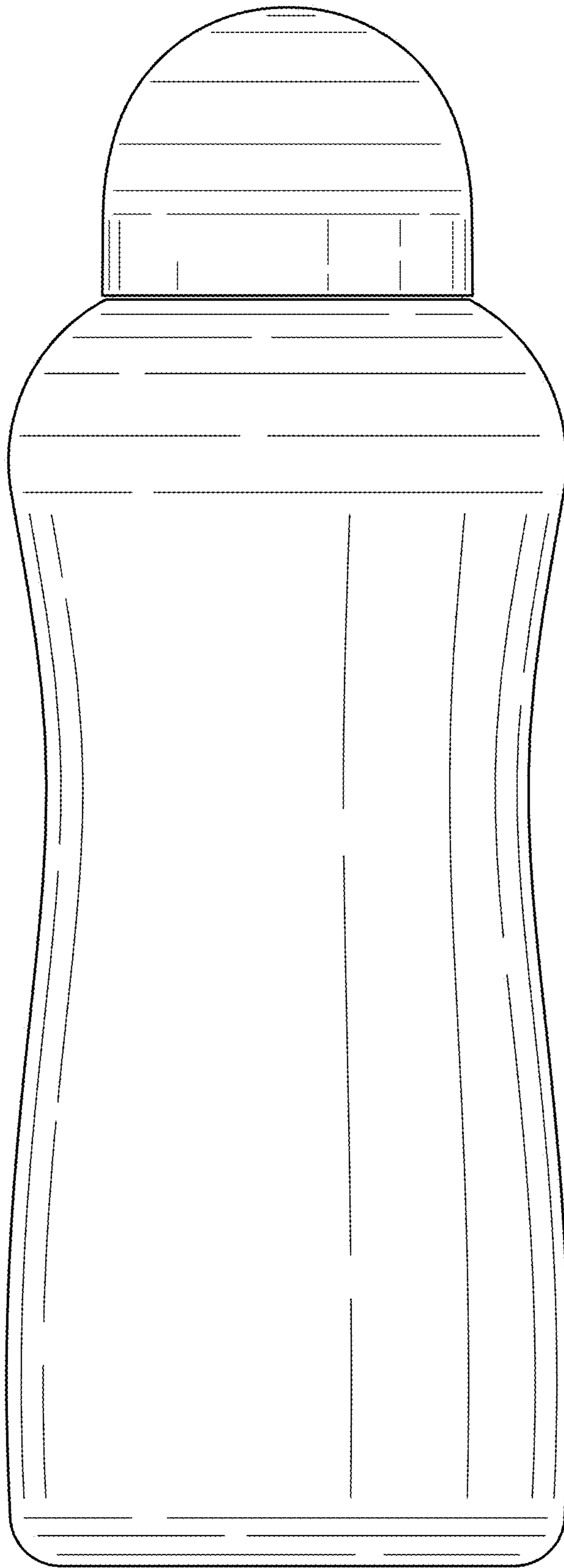


FIG. 3

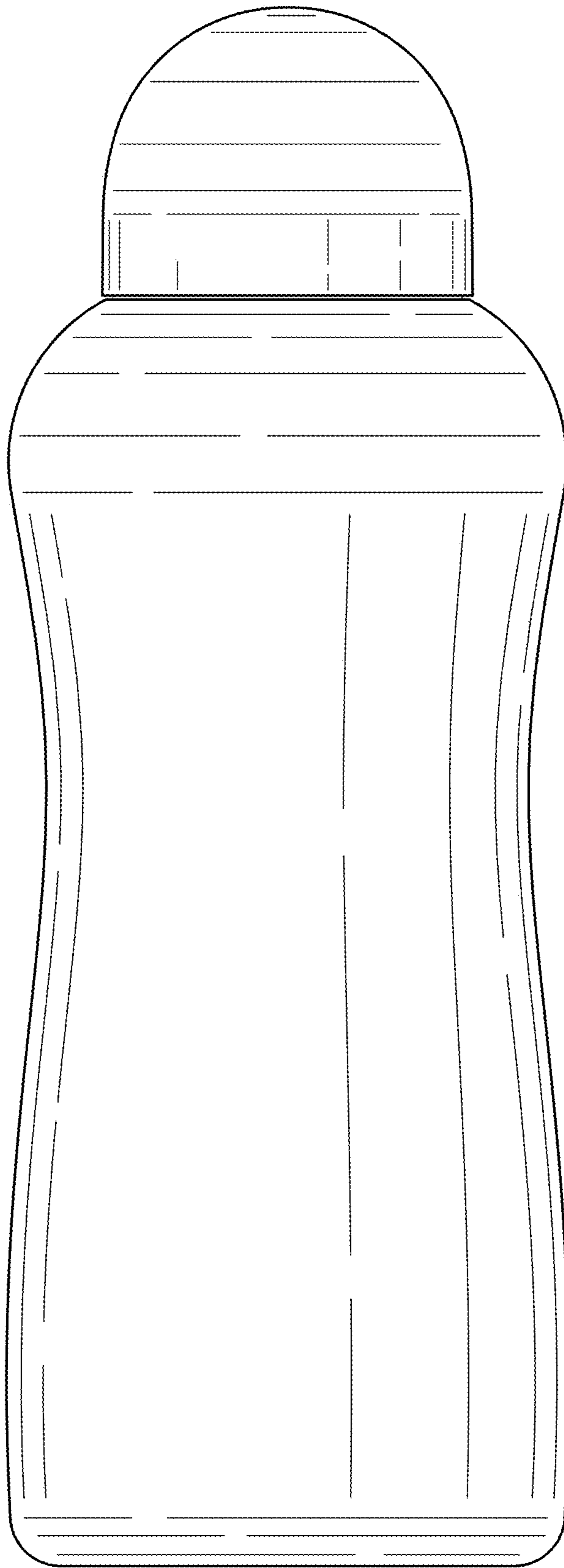


FIG. 4

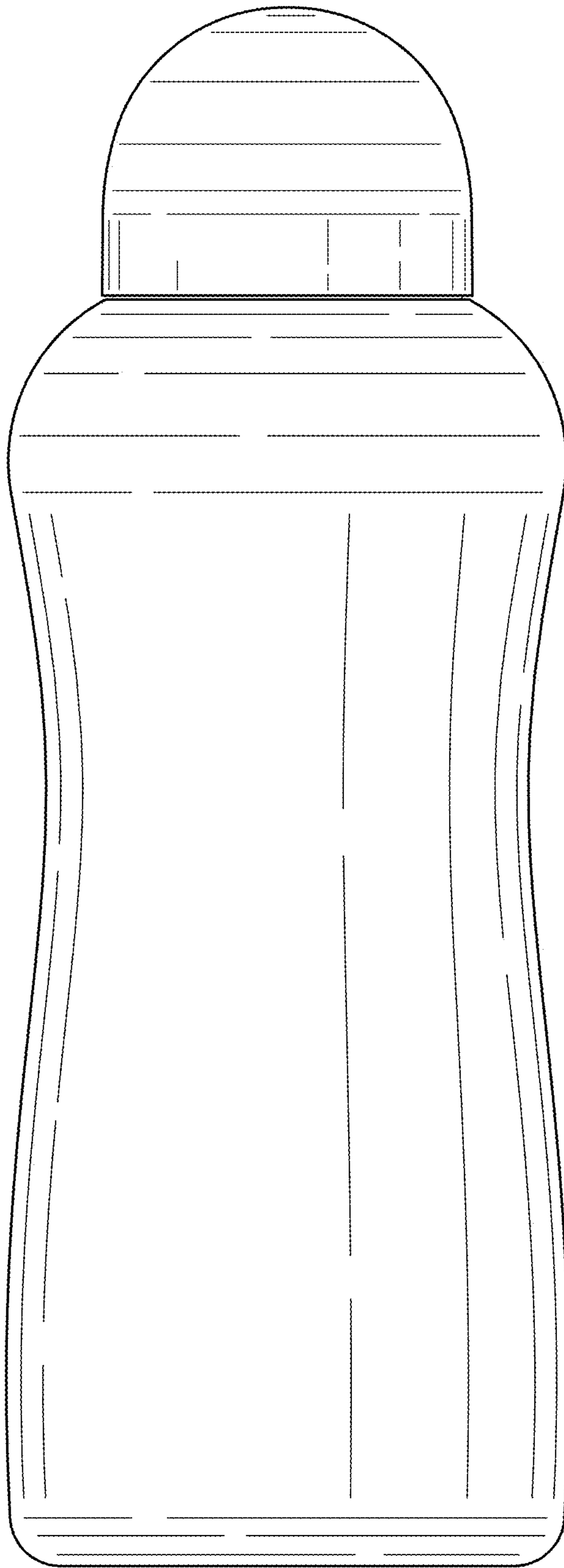


FIG. 5

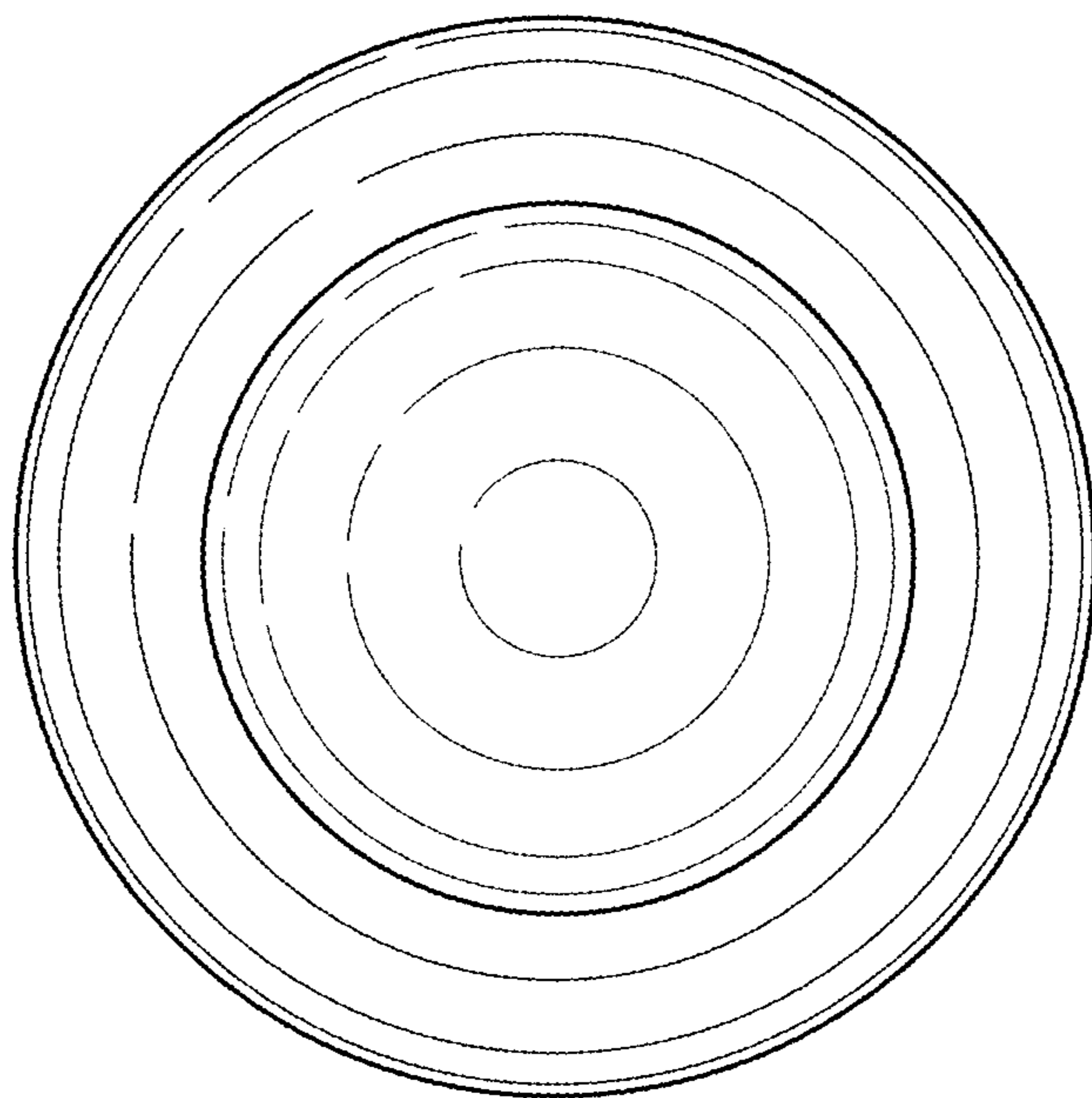


FIG. 6

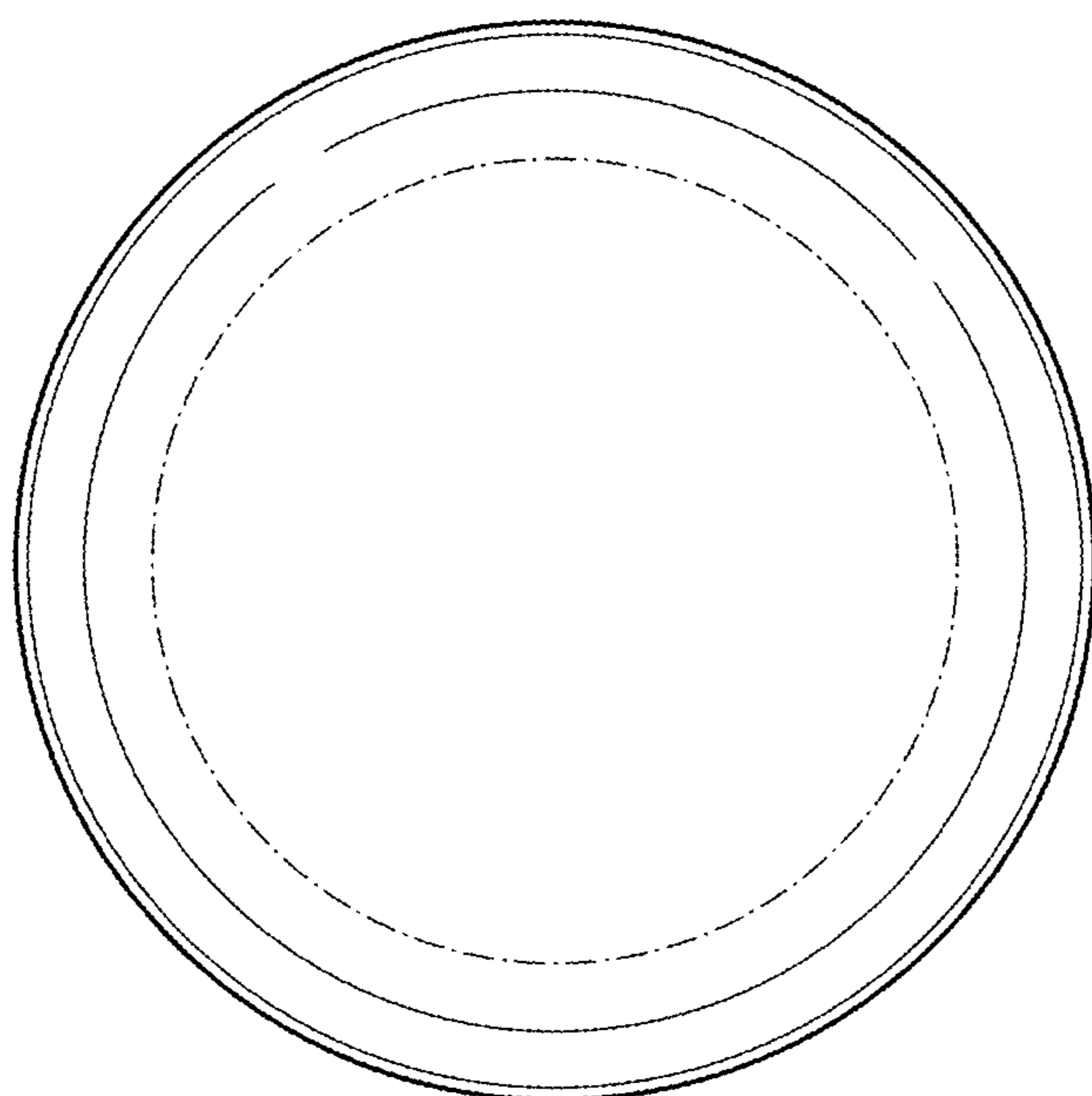


FIG. 7