

US00D892613S

(12) **United States Design Patent**
Burke et al.

(10) **Patent No.:** **US D892,613 S**

(45) **Date of Patent:** **** Aug. 11, 2020**

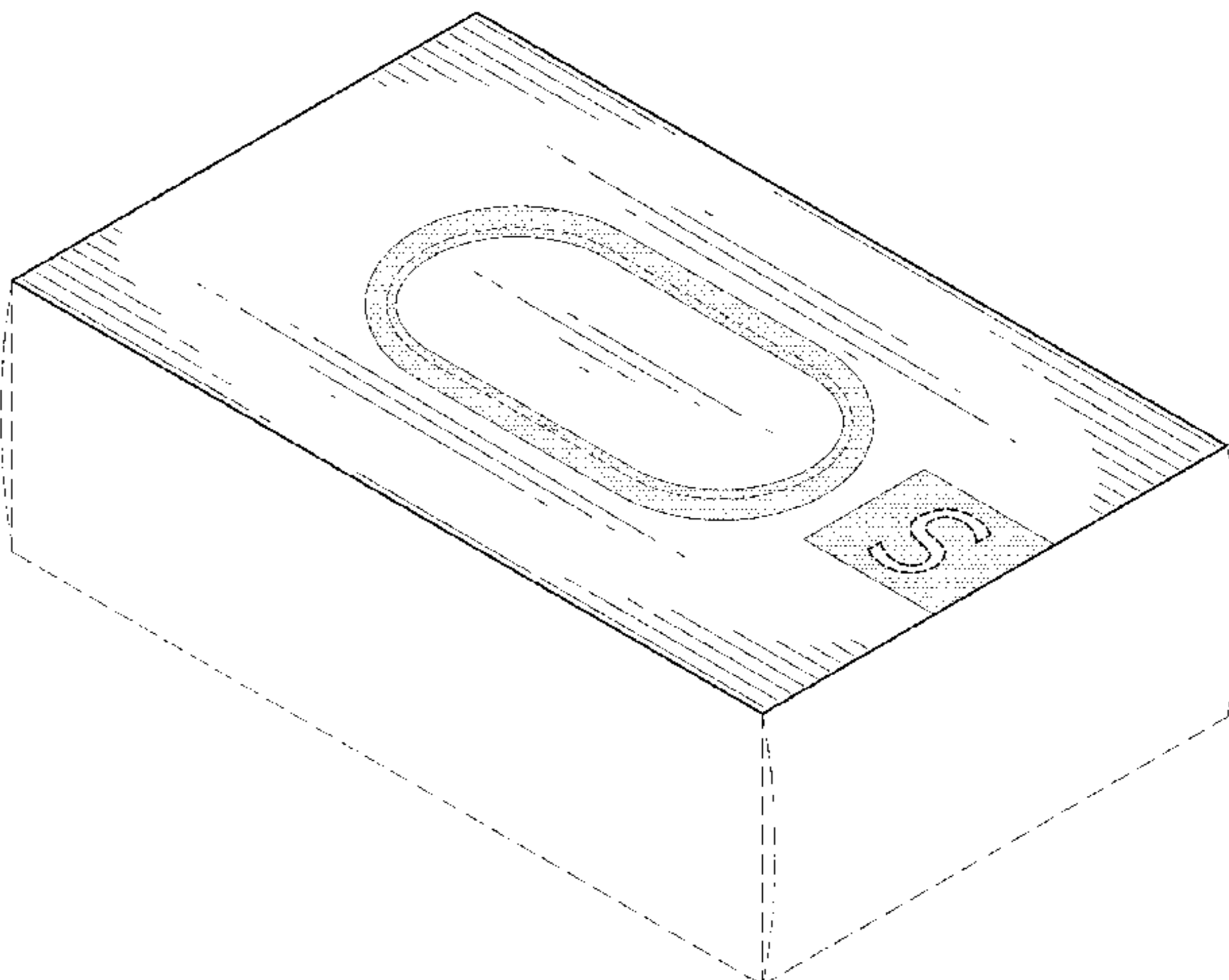
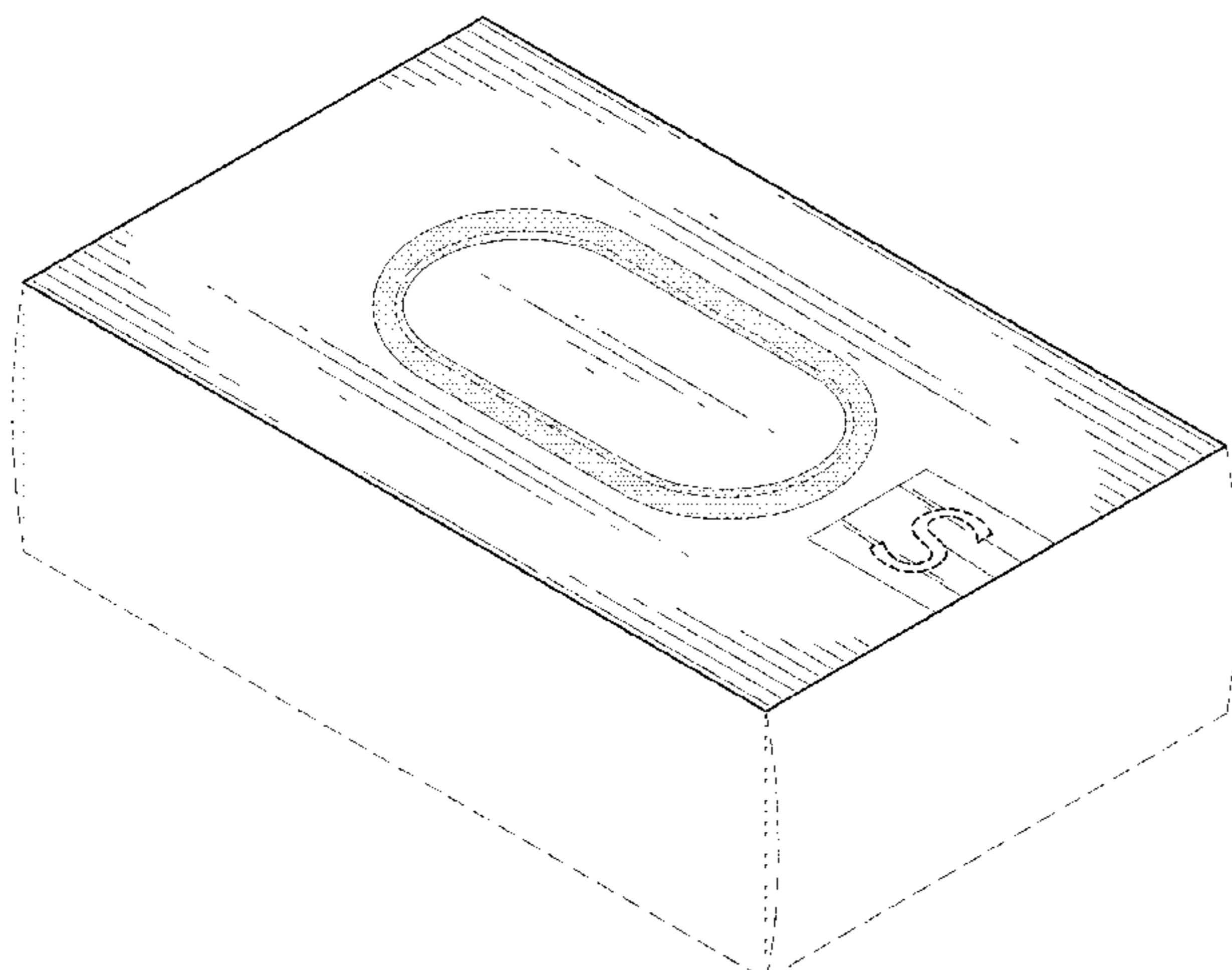
- (54) **PACKAGE**
- (71) Applicant: **Medline Industries, Inc.**, Northfield, IL (US)
- (72) Inventors: **Damian Burke**, Lake Zurich, IL (US);
Mark Vanderhulst, Chicago, IL (US);
Emily Somers, Cary, IL (US)
- (73) Assignee: **Medline Industries, Inc.**, Northfield, IL (US)
- (**) Term: **15 Years**
- (21) Appl. No.: **29/653,671**
- (22) Filed: **Jun. 18, 2018**

Related U.S. Application Data

- (63) Continuation of application No. 29/577,636, filed on Sep. 14, 2016, now Pat. No. Des. 820,675.
- (51) **LOC (12) Cl.** **09-03**
- (52) **U.S. Cl.**
USPC **D9/432**
- (58) **Field of Classification Search**
USPC D9/414-434, 442-445, 456, 457, 542,
D9/563, 600, 614-624, 655, 657, 658,
D9/661, 685, 695, 697-699, 707, 708,
D9/711, 754, 759, 772-776; D3/273,
D3/276, 304, 305, 307, 309-313;
D7/601, 602, 709; D6/560, 653-655,
D6/662, 667, 705, 706; D19/75, 90
CPC B65D 5/00; B65D 5/001; B65D 5/0015;
B65D 5/0227-0254; B65D 5/18; B65D
5/38; B65D 5/40; B65D 5/6605; B65D
5/48024; B65B 5/06
See application file for complete search history.

3,071,882 A	1/1963	Larry Eisman	
3,424,367 A *	1/1969	Lesinski	B65D 5/4245 229/118
3,790,064 A	2/1974	Kramer	
3,790,069 A	2/1974	Straccamore	
3,792,810 A	2/1974	Tingley	
3,970,215 A	7/1976	McLaren	
4,170,914 A *	10/1979	Carrier	B65D 83/0864 206/38
4,199,097 A	4/1980	Christensson	
4,200,200 A	4/1980	Hein	
D256,437 S	8/1980	Faller	
D267,476 S	1/1983	Boedeker	
D277,169 S *	1/1985	Ito	D9/432
RE33,979 E	6/1992	Cortopassi	
D385,743 S	11/1997	Eldridge	
D417,077 S	11/1999	Sheu	
D423,359 S	4/2000	MacLean	
D423,772 S	5/2000	Cooper	
D429,437 S	8/2000	Valenti	
D430,436 S *	9/2000	Shimbo	D6/515
D453,876 S	2/2002	Moor	
D456,652 S	5/2002	Smith	
D465,364 S	11/2002	Childs	
D466,345 S *	12/2002	Ong	D6/518
D466,807 S	12/2002	Buck	
D476,764 S	7/2003	Khovaylo	
6,681,983 B2	1/2004	Bill-Moore	
D488,298 S	4/2004	Freeman	
6,766,919 B2	7/2004	Huang	
D504,314 S	4/2005	Kim	
D531,801 S	11/2006	Sakaguchi	
D536,130 S	1/2007	Jekel	
D552,428 S	10/2007	Zeiron	
D553,977 S	10/2007	Shiyya	
D553,978 S	10/2007	Shiyya	
D563,219 S	3/2008	Okin	
D564,861 S *	3/2008	Lemaire	D8/353
D587,998 S	3/2009	Kaisanlahti	
D603,270 S	11/2009	Kusumi	
D608,660 S	1/2010	Mau	
D610,447 S	2/2010	Seum	
D611,545 S	3/2010	Williams	
D612,719 S *	3/2010	Frank	D9/432
D615,078 S	5/2010	Bradley	
D617,127 S	6/2010	Wang	
D619,015 S	7/2010	Kusumi	
D619,098 S	7/2010	Mike	
D622,590 S	8/2010	Tayama	
D632,172 S	2/2011	Harvey	
D635,454 S	4/2011	Witte	
D637,497 S	5/2011	Lee	
8,006,893 B2	8/2011	Burke	

- (56) **References Cited**
U.S. PATENT DOCUMENTS
271,177 A * 1/1883 White B65D 33/001
221/26
D171,955 S * 4/1954 Robins D9/721



US D892,613 S

D644,979 S 9/2011 Wenrick
D647,791 S 11/2011 Schmitt
D649,040 S 11/2011 Sanders
D651,831 S 1/2012 Becherer
D651,908 S 1/2012 Boyer
D651,914 S 1/2012 Boyer
D652,295 S 1/2012 Hipperson
D652,311 S 1/2012 Boyer
D653,854 S 2/2012 Chamberlain
D655,189 S 3/2012 Boyer
D656,406 S 3/2012 Boyer
D656,836 S 4/2012 Boyer
D658,610 S 5/2012 Bang
D663,198 S 7/2012 White
D668,533 S * 10/2012 Collins D9/423
D671,421 S 11/2012 Lee
D678,760 S 3/2013 Cooper
D678,762 S 3/2013 Cooper
D678,778 S 3/2013 Lee
D679,582 S 4/2013 Witte
D680,859 S 4/2013 Levy
D683,245 S * 5/2013 Palmer D9/734
D683,246 S * 5/2013 Palmer D9/734
D683,630 S 6/2013 Lee
D686,505 S 7/2013 Uemura
D687,706 S 8/2013 Akana
D688,560 S 8/2013 Kwon
D692,180 S 10/2013 Dietvorst
D693,678 S 11/2013 Kanchan
8,646,653 B2 2/2014 Lien
D702,765 S 4/2014 Williams
D706,129 S * 6/2014 Boraczek D9/418
D706,627 S 6/2014 Olsson
D706,628 S 6/2014 Palmer
D706,640 S 6/2014 Lee
D708,069 S 7/2014 Park
D709,364 S 7/2014 Olsson
D709,953 S 7/2014 Williams
D710,215 S * 8/2014 Palmer D9/734
D711,601 S 8/2014 Robbins
D712,737 S 9/2014 Gotur
8,881,903 B2 11/2014 Vulgamott
D719,462 S 12/2014 Kanda
9,085,406 B2 7/2015 Decker
D741,710 S 10/2015 Katopo
D742,243 S 11/2015 Allen
D745,391 S * 12/2015 Palmer D9/433
D749,414 S 2/2016 Choi
D749,962 S 2/2016 Gorbatiuk
D753,487 S 4/2016 Wells
D753,871 S 4/2016 Aspgren
D755,910 S 5/2016 Randazzo
D760,072 S 6/2016 Lutz
D760,434 S 6/2016 Schmaelzle
D768,481 S 10/2016 Gagliardo
D770,299 S 11/2016 Andrews
D776,457 S 1/2017 Palmer
D777,468 S 1/2017 Currier
D778,729 S 2/2017 Spenceman
D780,591 S 3/2017 Kim
D781,701 S 3/2017 Brody
D787,320 S 5/2017 Gill
D789,785 S 6/2017 Fujiwara
D793,229 S 8/2017 Meneaud
D796,562 S 9/2017 Iu
D804,943 S 12/2017 Richmond
D811,872 S * 3/2018 Wu D9/428
D820,675 S 6/2018 Burke
D829,464 S * 10/2018 Lai D6/518
10,086,975 B2 10/2018 Silkaitis
D834,411 S * 11/2018 Vanderhulst D9/432
D834,936 S * 12/2018 Sanfilippo D9/432
D835,981 S 12/2018 Oravec
D838,587 S * 1/2019 Laliberte D9/432
D846,377 S * 4/2019 Delao D9/414
D852,034 S * 6/2019 Gan D9/418
2003/0201276 A1 10/2003 Fuller
2005/0056690 A1 3/2005 Clapper
2006/0102706 A1 5/2006 Spivey

2006/0131370 A1 6/2006 Bates
2007/0034534 A1 * 2/2007 VanBuren B65D 83/0894
206/233
2007/0210096 A1 9/2007 Ellswood
2011/0215110 A1 * 9/2011 Kadhum B65D 83/00
221/45
2014/0020700 A1 1/2014 Park
2017/0073102 A1 3/2017 Borasi
2018/0022534 A1 1/2018 McCormick
2018/0072478 A1 3/2018 Vanderhulst

FOREIGN PATENT DOCUMENTS

CA 2132425C C 1/2000
CN 200630029524 * 8/2006
KR 3020060006367 2/2006

OTHER PUBLICATIONS

Cigarette Box. Online, published date Sep. 10, 2016. Retrieved on Oct. 5, 2019 from URL: <https://www.turbosquid.com/3d-models/free-obj-model-cigarette-box/1071414>.*
Hale 275 Facial Tissue and Hygienic Glove Dispenser; Hale Manufacturing; product information from <http://www.haleman.co.nz/facialtissueandhygienicglovedispensers/>, publicly available at least as of Jul. 20, 2016.
Household Tissue Boxes Paper Storage Box Tissue Box Holder, Online, published date unknown. Retrieved on Sep. 26, 2017 from URL: https://www.amazon.com/Household-Tissue-Boxes-Storage-Holder/dp/B01L1K9Y36/ref=sr_1_11?ie=UTF8&qid=1506446688&sr=8-11&keywords=mirrored+tissue+box+cover.
Kleenex 21606CT White Facial Tissue. Online, published date unknown. Retrieved on Aug. 9, 2017 from URL: https://www.amazon.com/Kleenex-21606CT-Facial-Tissue-Pop-Up/dp/B0040ZOF2U/ref=pd_sim_328_1?encoding=UTF8&pd_rd_i=B0040ZOF2U&pd_rd_r=1PYH02PEVDBTT5RCRQ4KB&pd_rd_w=vlSal&pd_rd_wg=gFg5l&psc=1&refRID=1PYH02PEVDBTT5RC.
Surface-Mounted Stainless Steel Tissue Dispenser, Model 987-11; Bradley Corporation; product information from <http://bradleycorp.com/accessories/specialty/hospitality/tissue-dispenser/>, publicly available at least as of Jul. 20, 2016.
Photo of Halyard Sterling SG Sensi-Guard Nitrile Exam Gloves, publicly available at least as of Jul. 20, 2016.
Photo of MediChoice® Large Nitrile Exam Gloves (box includes blue ink), publicly available at least as of May 5, 2016.
Photo of MediChoice® Large Vinyl Nitrile Exam Gloves (box includes orange ink), publicly available at least as of May 5, 2016.
Photo of MediChoice® Medium Latex Gloves (box includes purple ink), publicly available at least as of May 5, 2016.
Photo of MediChoice® Small Latex Gloves (box includes blue ink), publicly available at least as of May 5, 2016.
Photo of MediChoice® Small Stretch Vinyl Nitrile Exam Gloves (box includes green ink), publicly available at least as of May 5, 2016.
Photo of MediChoice® X-Large Nitrile Exam Gloves (box includes green ink), publicly available at least as of May 5, 2016.
Photo of MediChoice® X-Small Nitrile Exam Gloves (box includes blue ink), publicly available at least as of May 5, 2016.
Photo-1 of MediChoice® Medium Nitrile Exam Gloves (box includes blue ink), publicly available at least as of May 5, 2016.
Photo-2 of MediChoice® Medium Nitrile Exam Gloves (box includes blue ink), publicly available at least as of May 5, 2016.
Photo-3 of MediChoice® Medium Nitrile Exam Gloves (box includes blue ink), publicly available at least as of May 5, 2016.
White Shabby Chic Vintage Roses Paper Napkin Box. Online, published date unknown. Retrieved on Aug. 9, 2017 from URL: <https://lphandmade.com/en/shop/for-home-and-interior/white-shabby-chic-vintage-roses-paper-napkin-box/#>. WYuQZP7rtmM.
Medline FG2700H FitGuard Ultra Nitrile Exam Gloves, X-Small, Blue (Box of 150). Online, published date unknown. Retrieved on

0712712019 from URL: https://www.amazon.com/dp/BOOOMEYQ8M/ref=psdc_10802561_t3_B000MEYO4S.

* cited by examiner

Primary Examiner — Susan Bennett Hattan

Assistant Examiner — Omeed Agilee

(74) *Attorney, Agent, or Firm* — Fitch, Even, Tabin & Flannery LLP

(57) **CLAIM**

The ornamental design for a package, as shown and described.

DESCRIPTION

FIG. 1 is a perspective view of a package in accordance with a first embodiment of our new design;
FIG. 2 is a top plan view of the package of FIG. 1;
FIG. 3 is a bottom plan view of the package of FIG. 1;
FIG. 4 is a front elevation view of the package of FIG. 1, the rear elevation view being identical thereto;

FIG. 5 is a side elevation view of the package of FIG. 1, the other side elevation view being identical thereto;

FIG. 6 is a perspective view of a package in accordance with a second embodiment of our new design;

FIG. 7 is a top plan view of the package of FIG. 6;

FIG. 8 is a bottom plan view of the package of FIG. 6;

FIG. 9 is a front elevation view of the package of FIG. 6, the rear elevation view being identical thereto; and,

FIG. 10 is a side elevation view of the package of FIG. 6, the other side elevation view being identical thereto.

The smaller, lighter dashed lines in the shape of an oval in FIGS. 1, 2, 6, and 7 depict perforations and are part of the claimed design. The longer dashed lines in the shape of the package shown in all figures depict portions of the package that form no part of the claimed design. The darker broken lines in the shape of the letter “s” shown in FIGS. 1, 2, 6, and 7 depict the boundaries of the claim and form no part thereof.

The surface stippling in FIGS. 1, 2, 6, and 7 represents a contrast in appearance relative to non-stippled areas.

1 Claim, 10 Drawing Sheets

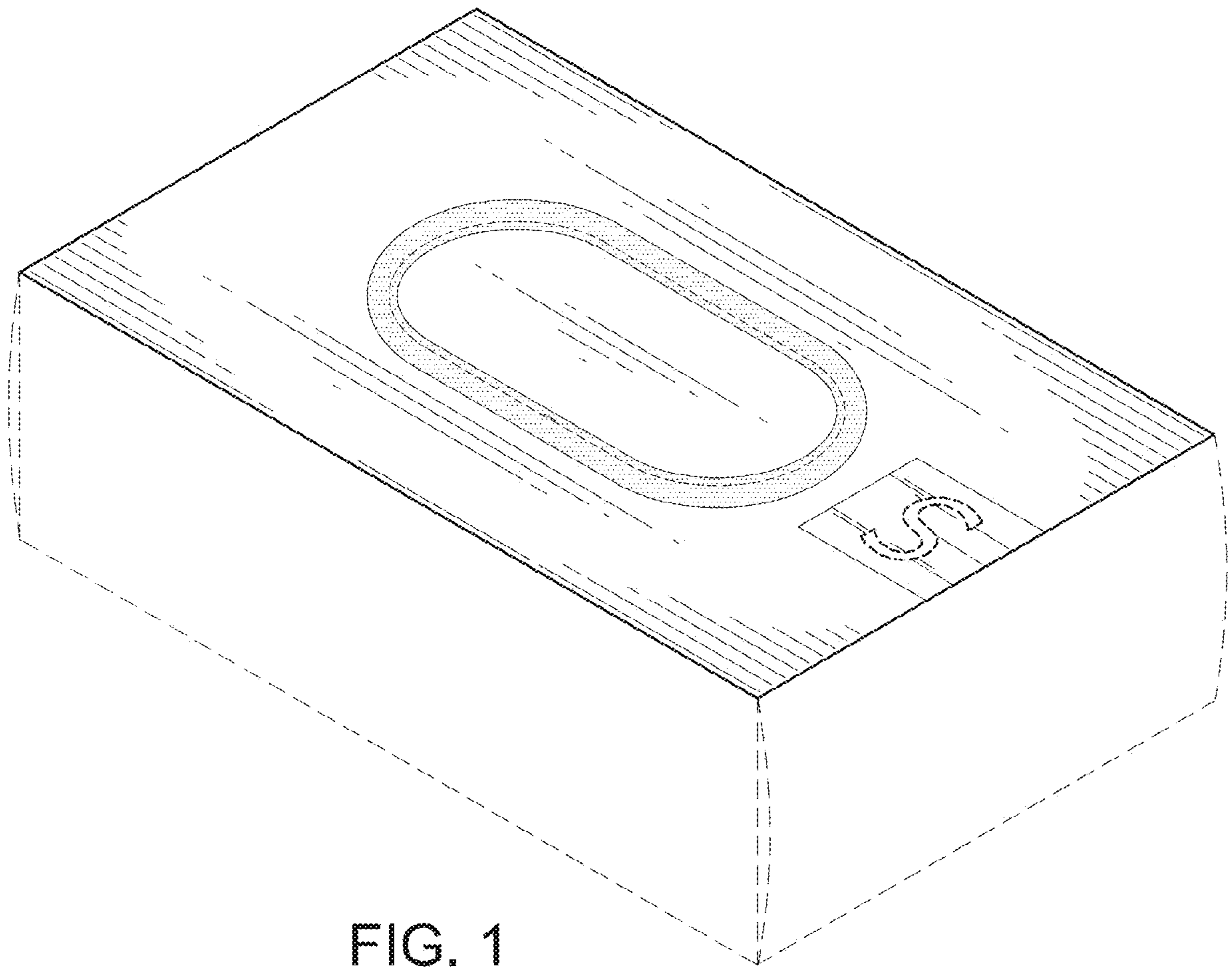


FIG. 1

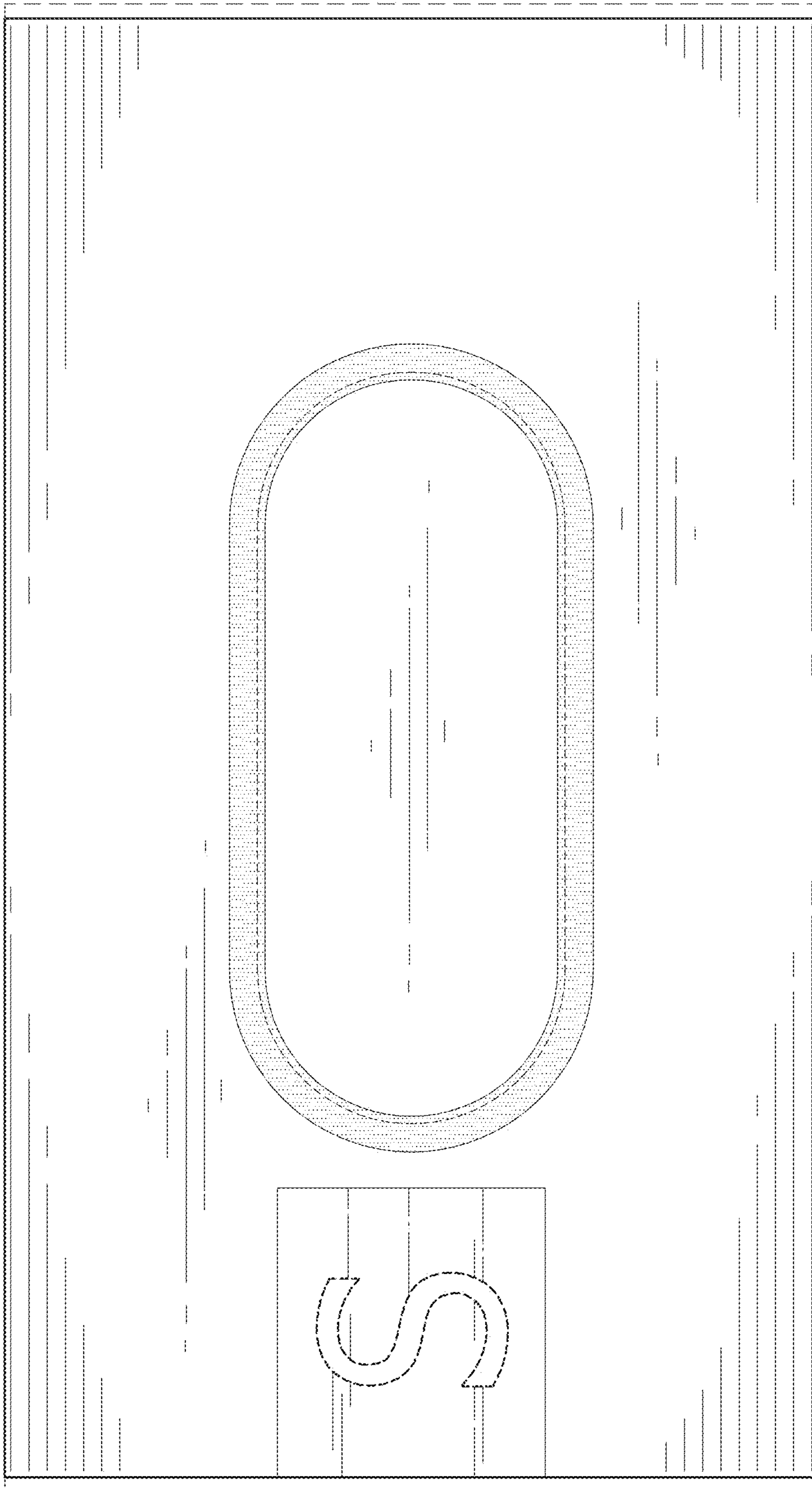


FIG. 2



FIG. 3



FIG. 4

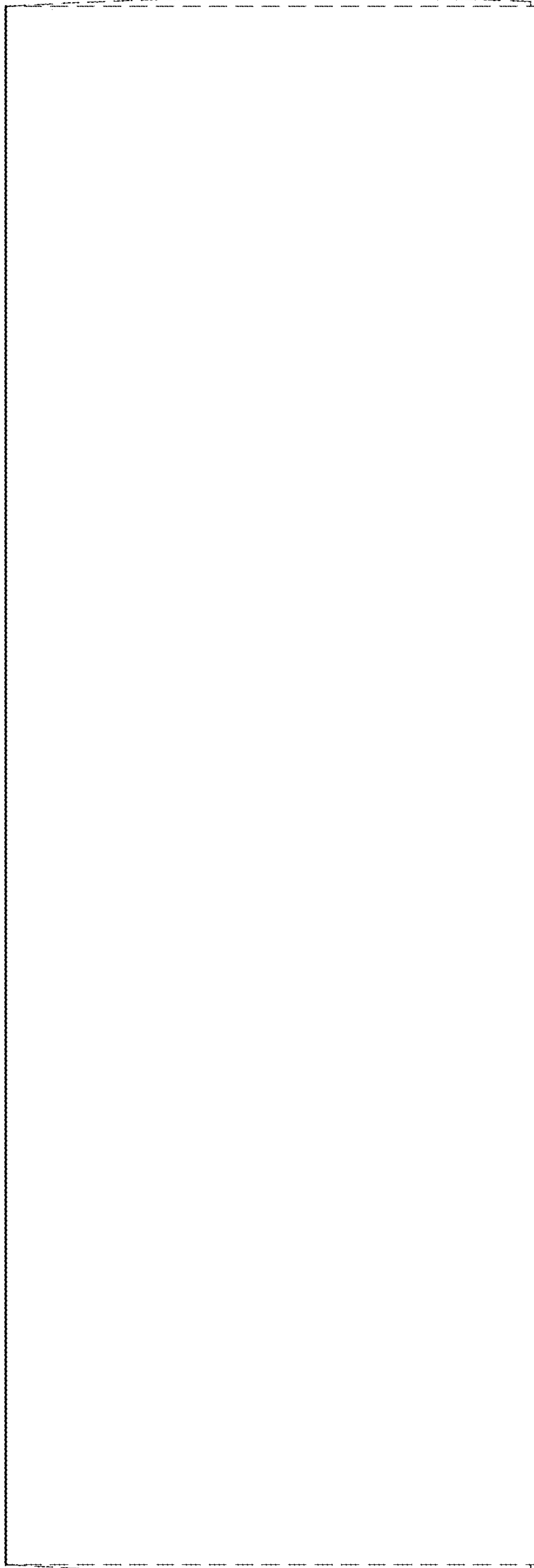


FIG. 5

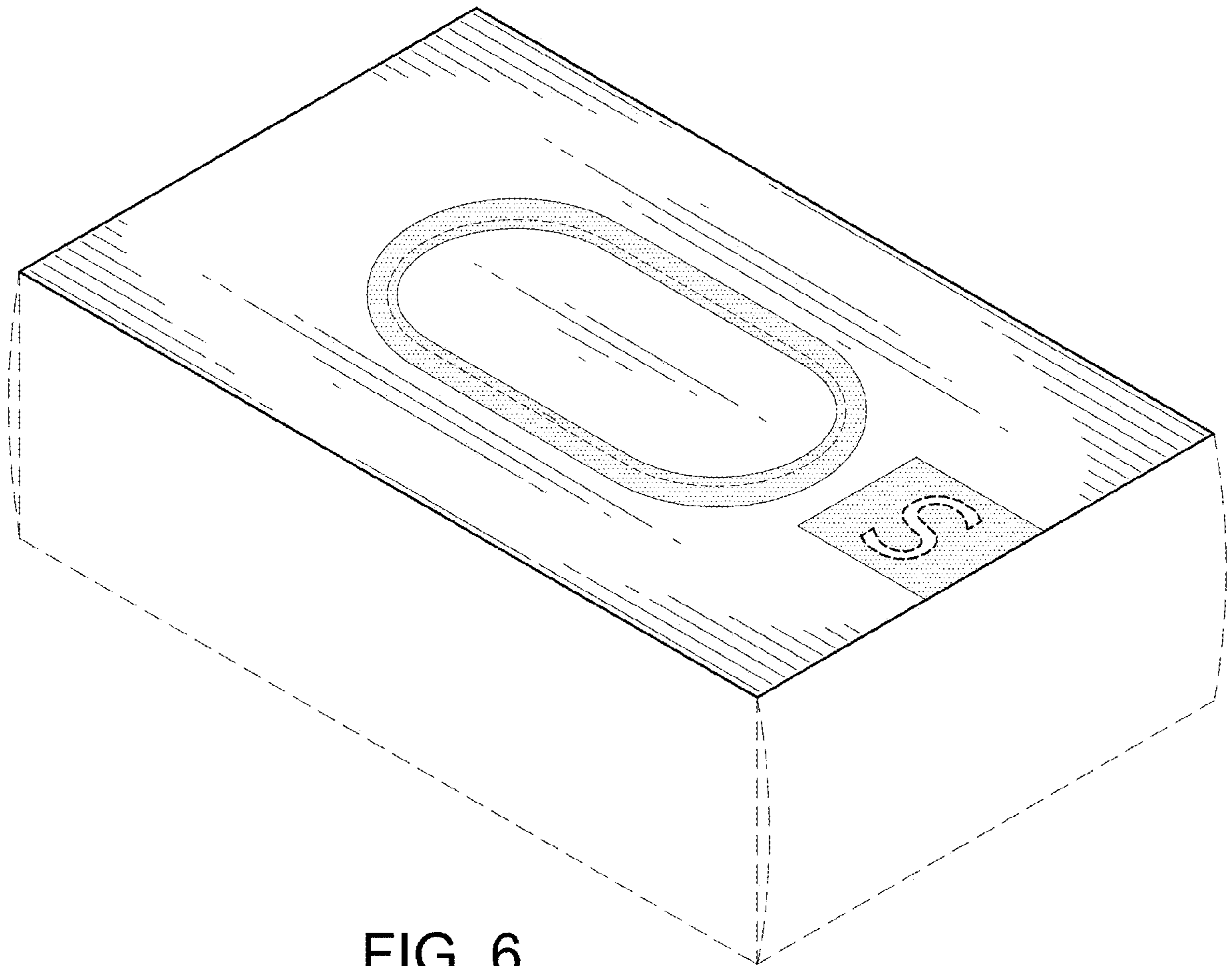


FIG. 6

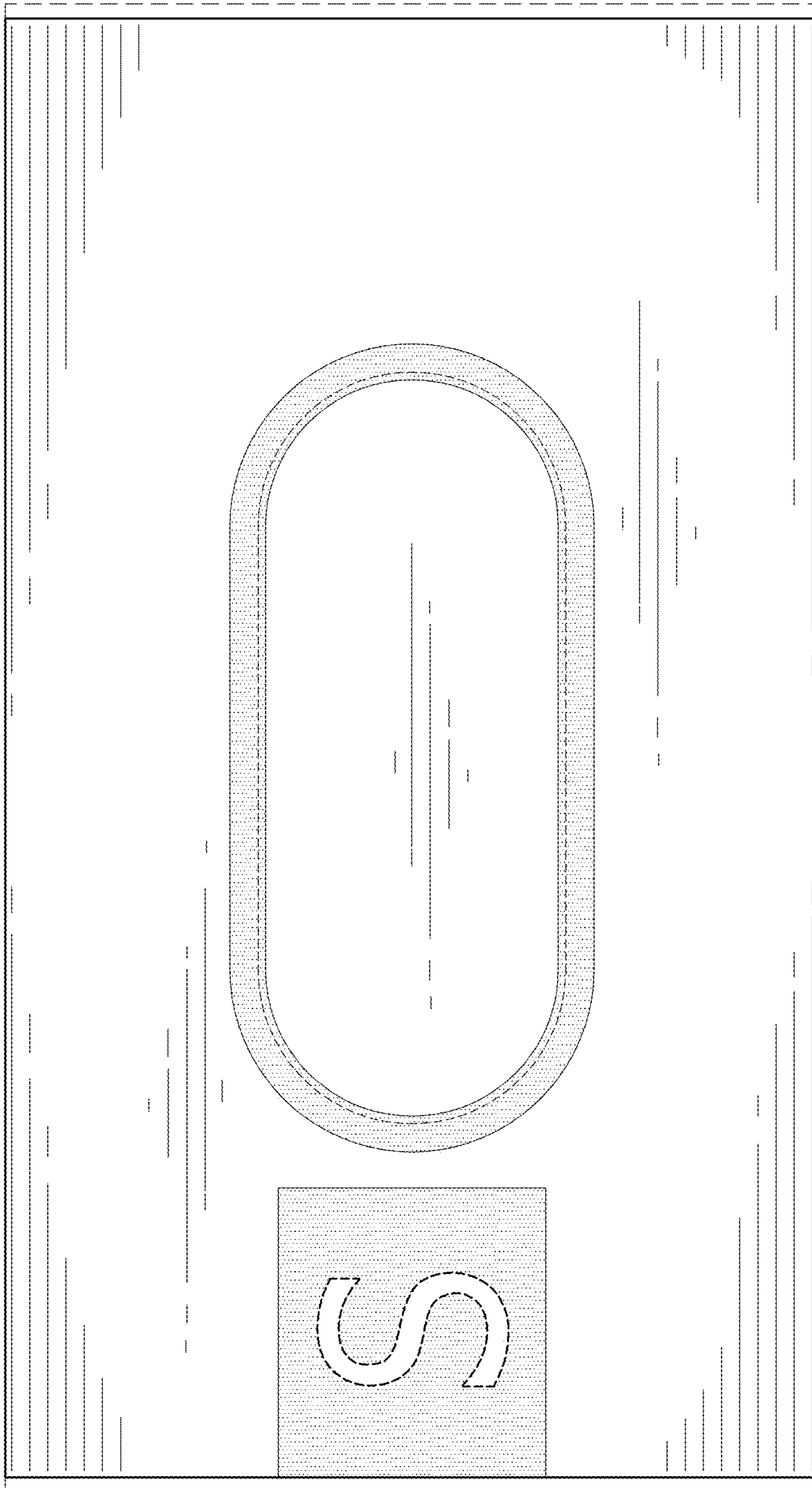


FIG. 7



FIG. 8

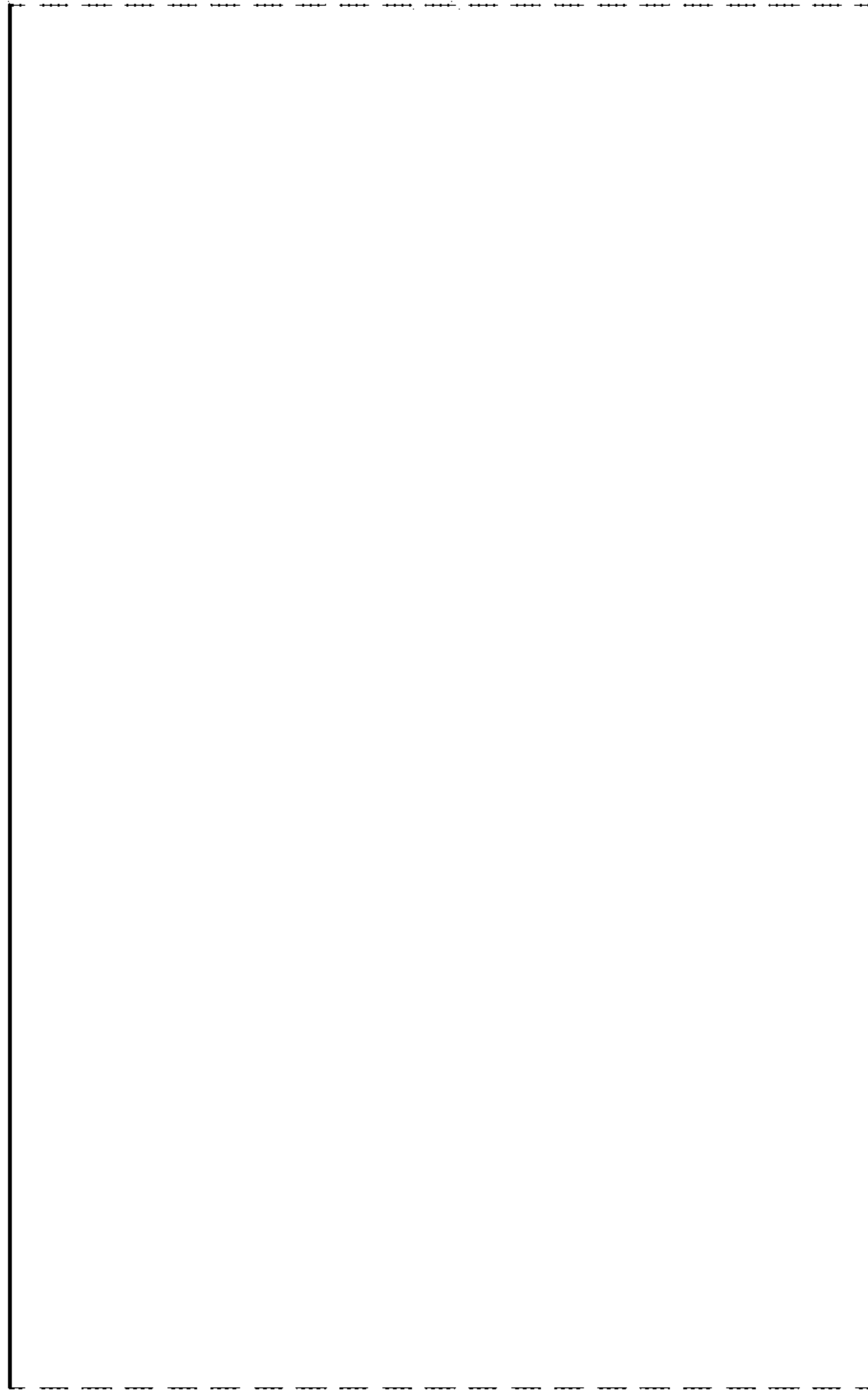


FIG. 9

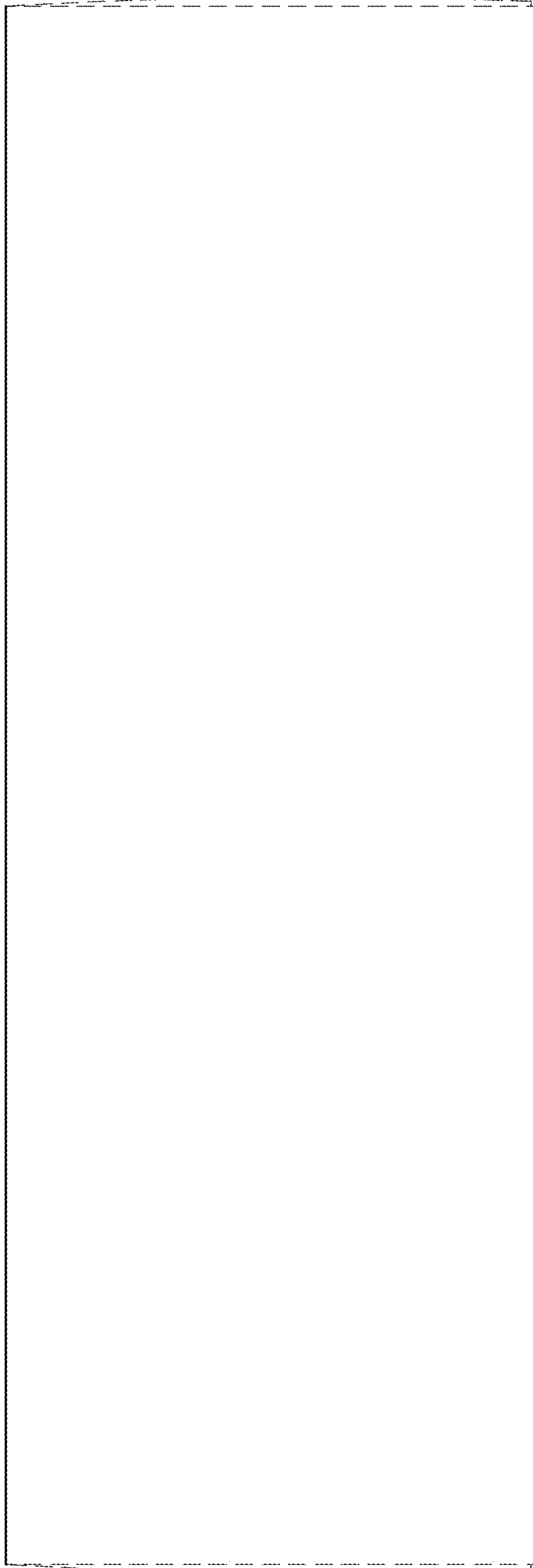


FIG. 10