



US00D892612S

(12) **United States Design Patent** (10) **Patent No.:** **US D892,612 S**  
**Cornejo** (45) **Date of Patent:** **\*\* Aug. 11, 2020**

(54) **HEAVY DUTY PACK**  
(71) Applicant: **Carlos I. Cornejo**, Irvine, CA (US)  
(72) Inventor: **Carlos I. Cornejo**, Irvine, CA (US)  
(\*\*) Term: **15 Years**

D685,633 S \* 7/2013 Thomas ..... D9/416  
D690,590 S \* 10/2013 Fux ..... D9/431  
D839,725 S \* 2/2019 Ralston ..... D9/418  
2009/0272663 A1 \* 11/2009 Koch ..... B65D 85/62  
206/323

(21) Appl. No.: **29/690,661**  
(22) Filed: **May 9, 2019**  
(51) **LOC (12) Cl.** ..... **09-03**  
(52) **U.S. Cl.**  
USPC ..... **D9/431**  
(58) **Field of Classification Search**  
USPC ..... D9/414-423, 430-433, 434, 456, 457,  
D9/711, 713, 721-722, 737, 756, 758,  
D9/759, 760; D20/10, 22, 27, 40, 42  
CPC ... B65D 5/00; B65D 5/02; B65D 5/18; B65D  
5/20  
See application file for complete search history.

**OTHER PUBLICATIONS**

White Cardboard Gift Rectangular Box With Handle. [online]  
Retrieved Jun. 25, 2020 from URL: [https://www.123rf.com/photo\\_33443609\\_stock-vector-white-cardboard-gift-rectangular-box-with-handle-vector-packaging-template.html](https://www.123rf.com/photo_33443609_stock-vector-white-cardboard-gift-rectangular-box-with-handle-vector-packaging-template.html).  
Custom Packaging Products Boxes Design Handle Boxes. [online]  
Published on Nov. 29, 2017. Retrieved Jun. 25, 2020 from URL:  
<http://customproductsboxes.blogspot.com/2017/11/handle-boxes-are-one-of-our-creations.html>.

\* cited by examiner

*Primary Examiner* — Vy N Koenig  
(74) *Attorney, Agent, or Firm* — Procopio Cory  
Hargreaves and Savitch LLP

(56) **References Cited**

**U.S. PATENT DOCUMENTS**

2,675,264 A \* 4/1954 Vander, Jr. .... B65D 71/48  
294/87.2  
2,933,232 A \* 4/1960 Bugnone ..... B65D 5/46096  
229/117.14  
3,190,532 A \* 6/1965 Marsh ..... B65D 5/02  
446/124  
4,193,535 A \* 3/1980 Griffith ..... B65D 5/46096  
229/117.14  
4,214,697 A \* 7/1980 Manning ..... B65D 5/46096  
229/117.14  
D267,474 S \* 1/1983 Maroszek ..... D30/124  
6,105,773 A \* 8/2000 Miller ..... B65D 71/40  
206/431  
D509,442 S \* 9/2005 Several ..... D9/756

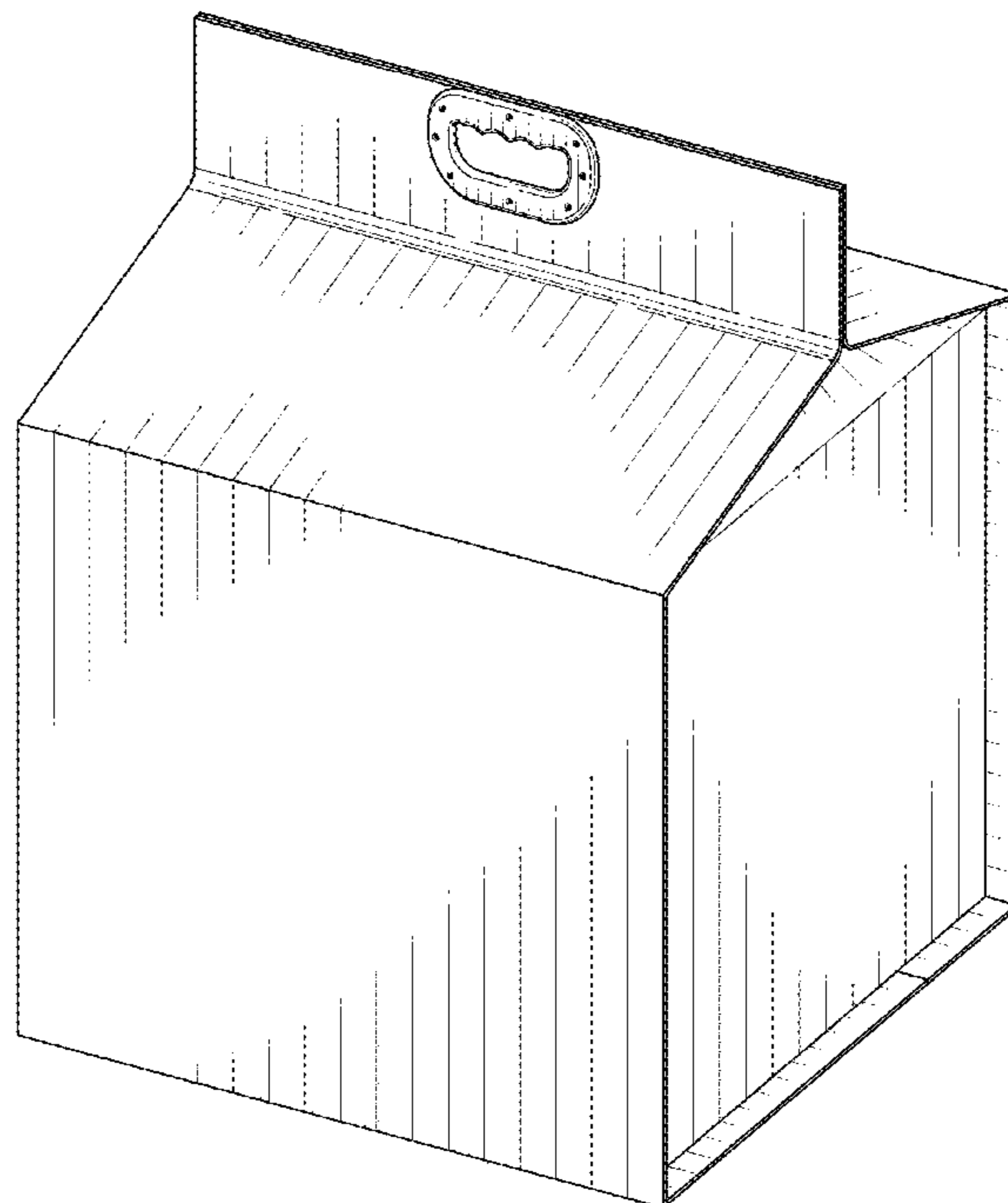
(57) **CLAIM**

The ornamental design for a heavy duty pack, as shown and described.

**DESCRIPTION**

FIG. 1 is a perspective view of a heavy duty pack showing my new design.  
FIG. 2 is a front elevation view of the heavy duty pack;  
FIG. 3 is a rear elevation view of the heavy duty pack;  
FIG. 4 is a left side elevational view of the heavy duty pack;  
FIG. 5 is a right side elevational view of the heavy duty pack;  
FIG. 6 is a top plan view of the adjustable cyclic device; and,  
FIG. 7 is a bottom plan view of the heavy duty pack.

**1 Claim, 6 Drawing Sheets**



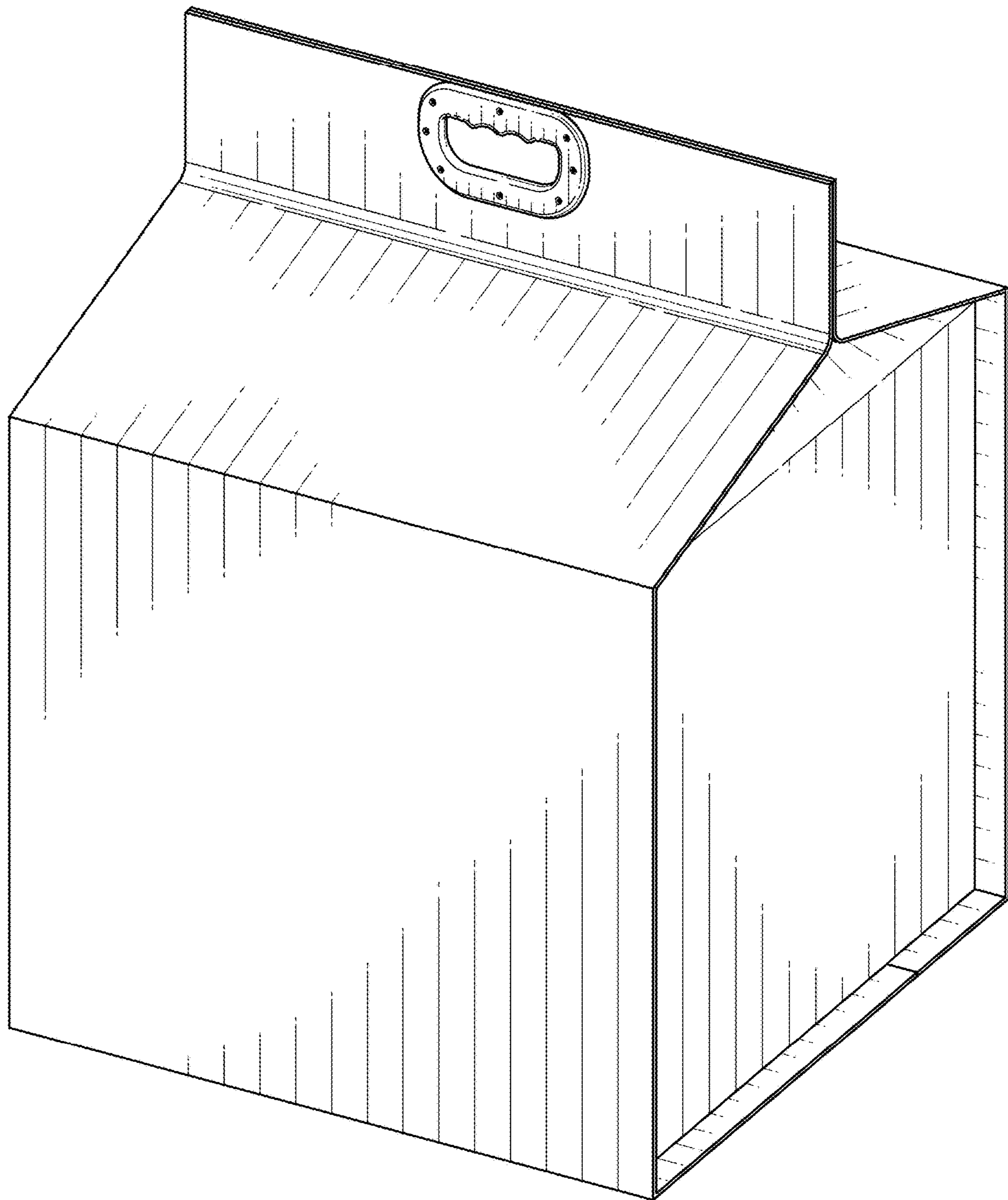


FIG. 1

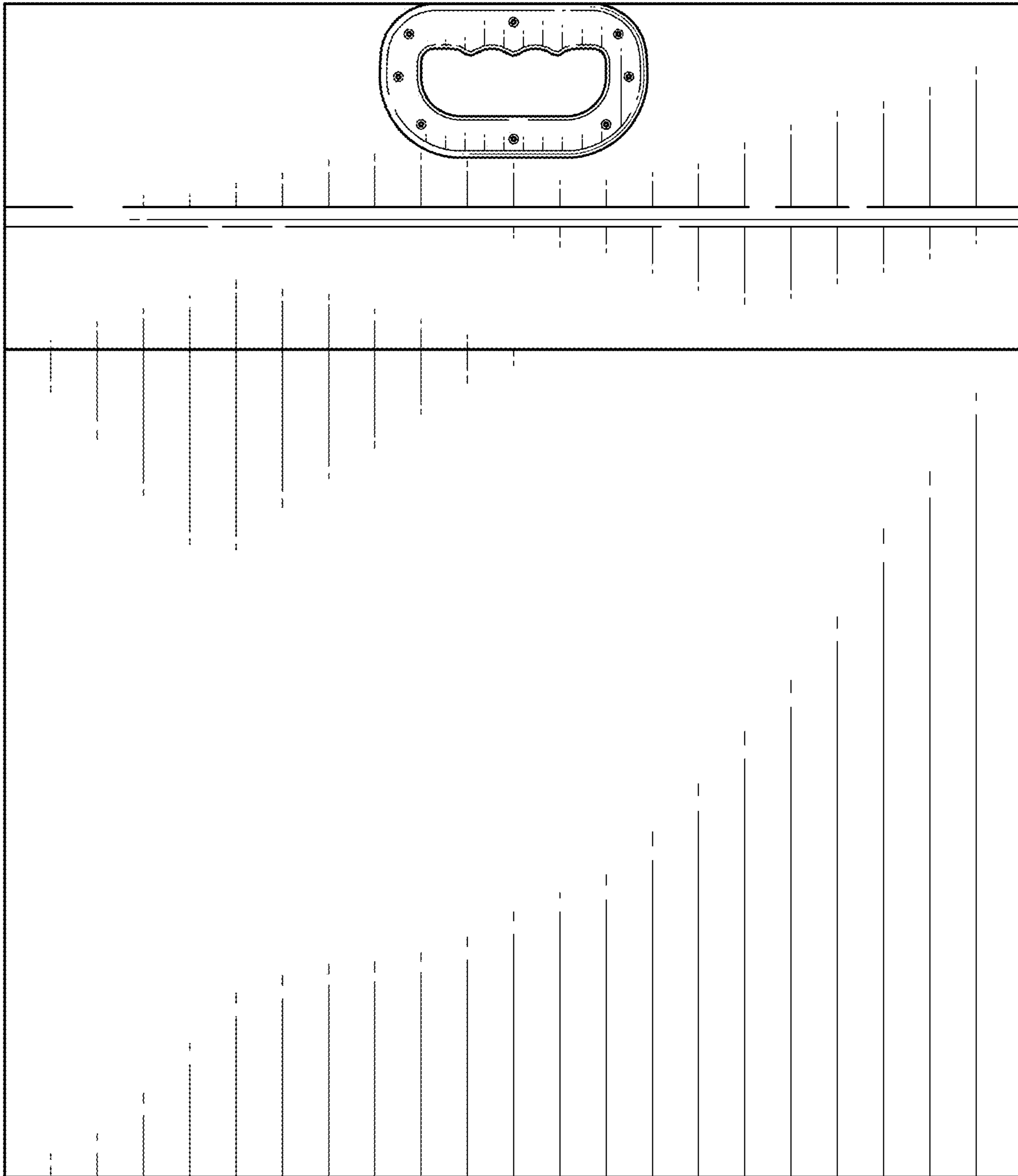


FIG. 2

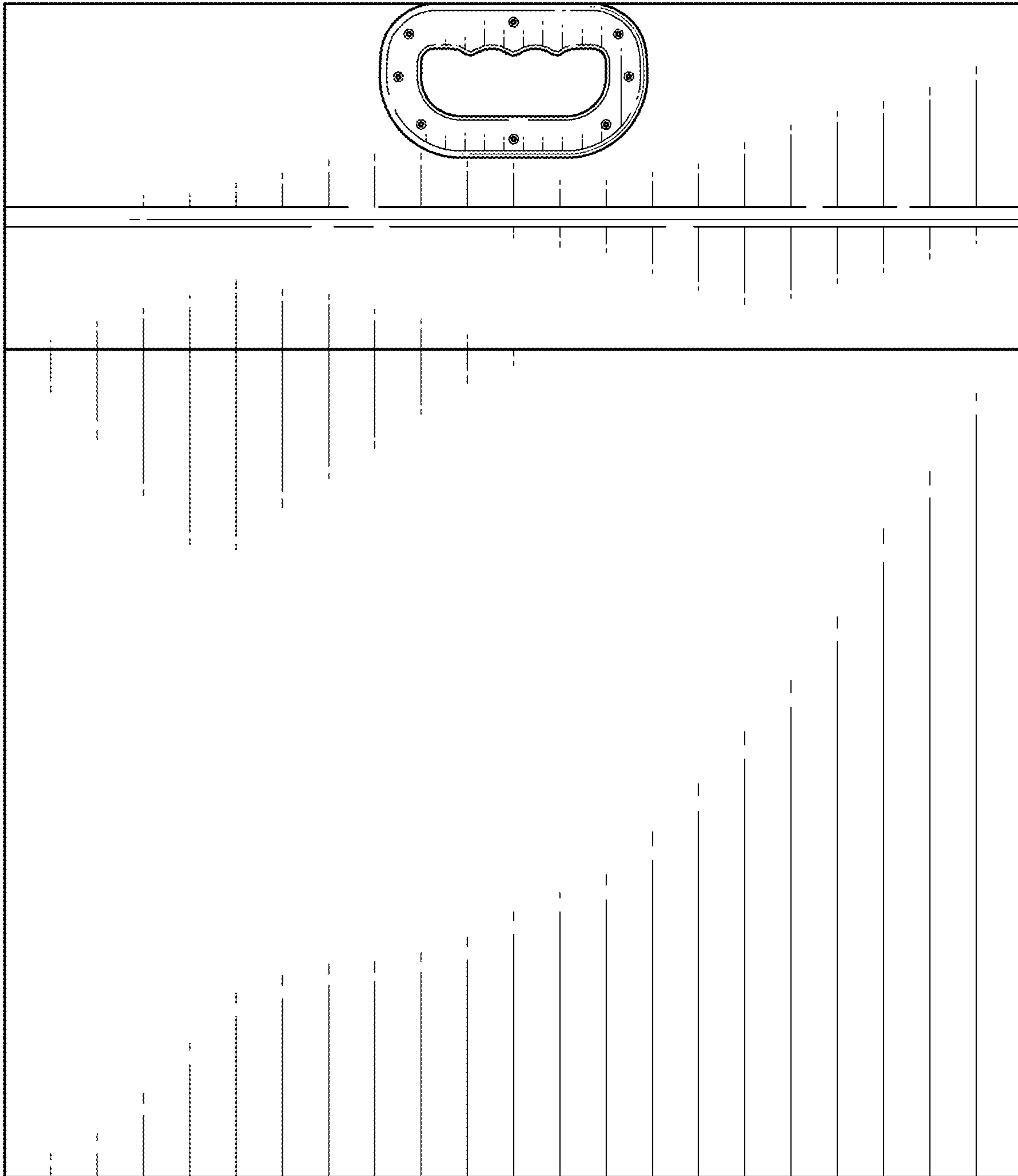


FIG. 3

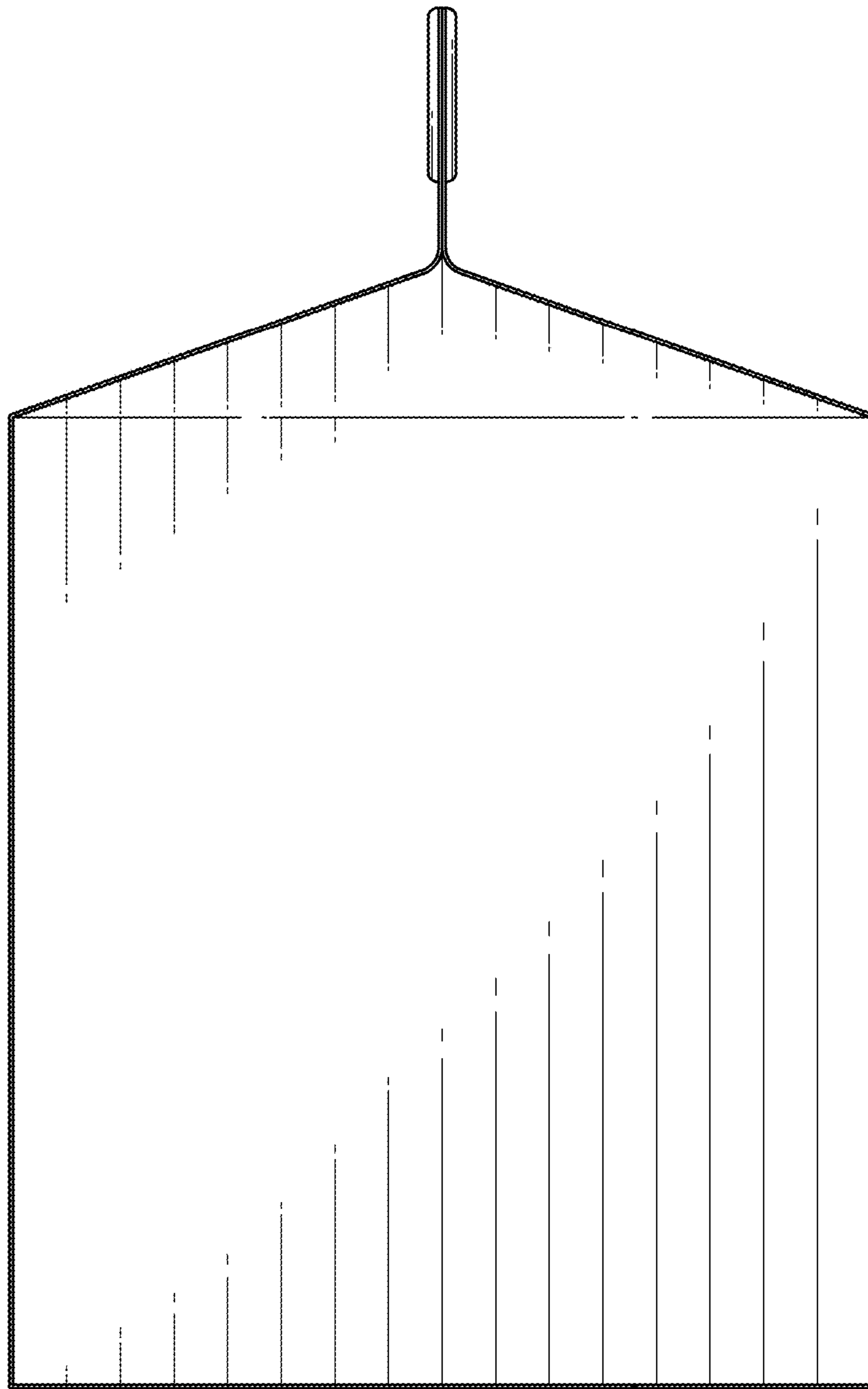


FIG. 4

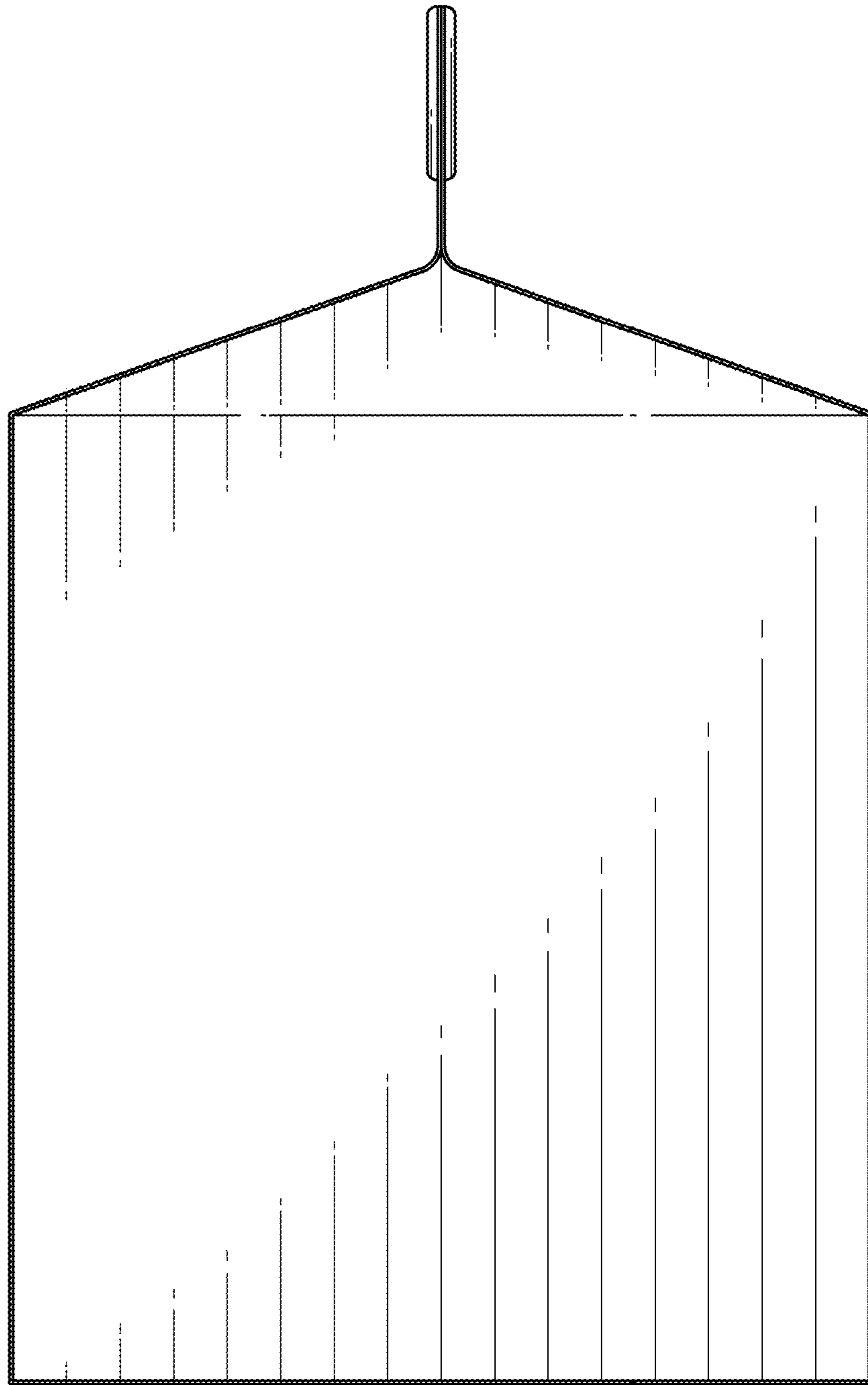


FIG. 5



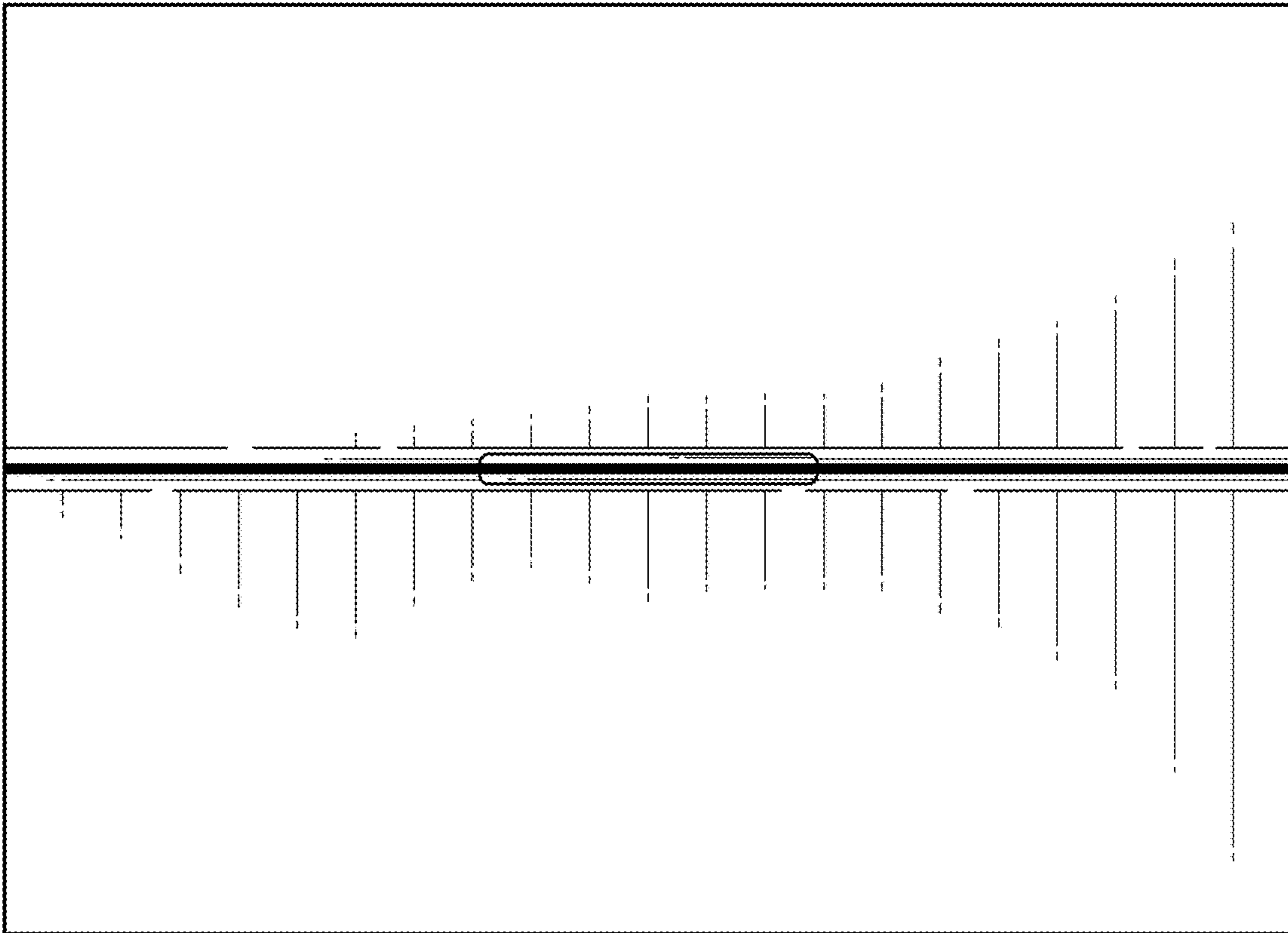


FIG. 6

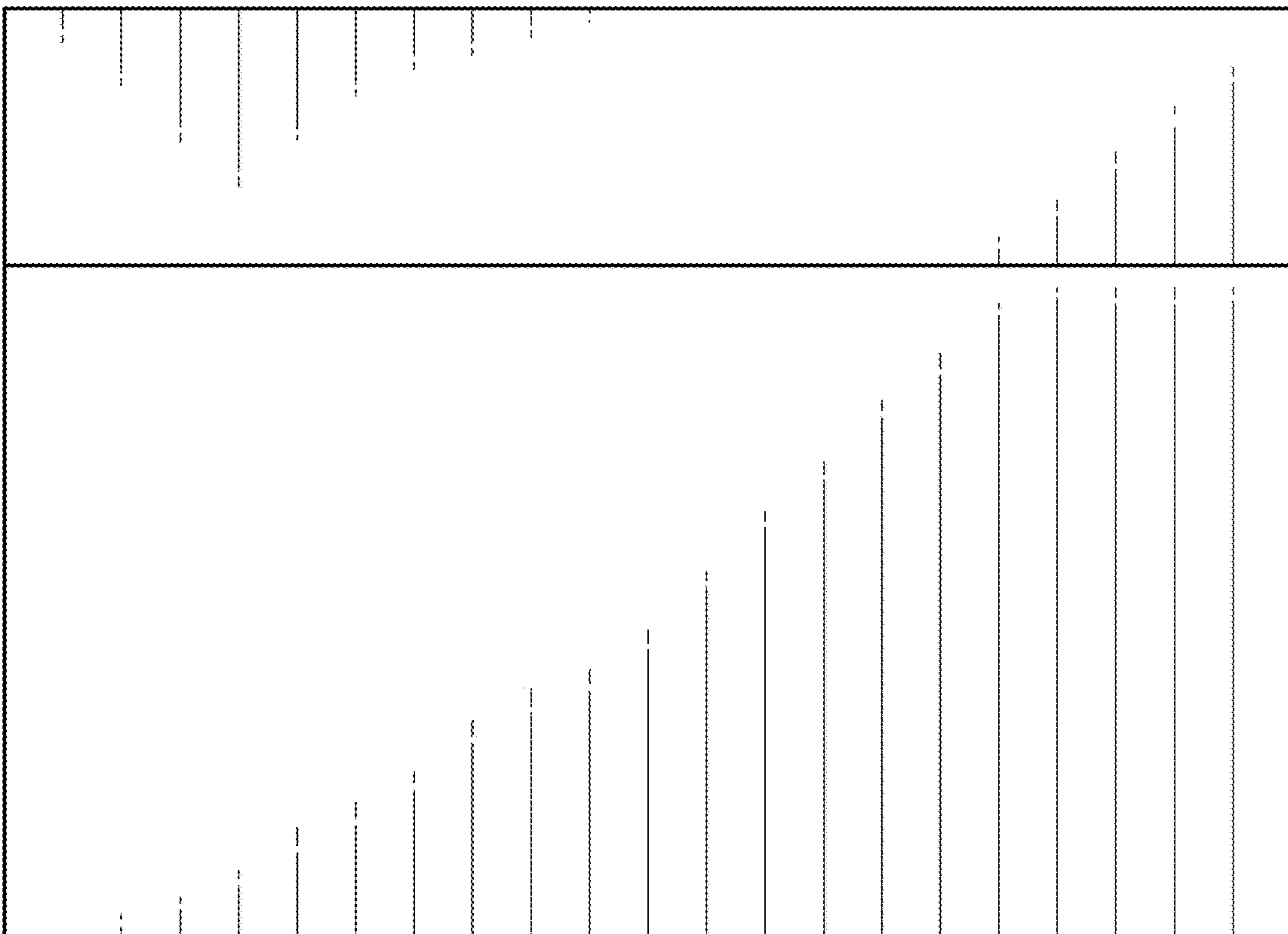


FIG. 7