



US00D892609S

(12) **United States Design Patent**
Huang

(10) **Patent No.:** **US D892,609 S**

(45) **Date of Patent:** **** Aug. 11, 2020**

(54) **GEAR LUG NUT COVER**

(71) Applicant: **Nan Huang Huang**, Rancho Palos Verdes, CA (US)

(72) Inventor: **Nan Huang Huang**, Rancho Palos Verdes, CA (US)

(**) Term: **15 Years**

(21) Appl. No.: **29/582,858**

(22) Filed: **Oct. 31, 2016**

(51) **LOC (12) Cl.** **08-08**

(52) **U.S. Cl.**
USPC **D8/397**

(58) **Field of Classification Search**
USPC D8/387, 397, 307, 394, 399; D12/213
CPC F16B 37/00; F16B 37/14; F16B 37/145;
B27B 17/0025; B60B 7/068; B60B 7/08
See application file for complete search history.

(56) **References Cited**

U.S. PATENT DOCUMENTS

3,222,976	A *	12/1965	Holman	F16B 23/0061
					301/35.623
D273,614	S *	4/1984	Rolla	D24/106
5,810,532	A *	9/1998	Huang	F16B 37/14
					411/377
5,857,818	A *	1/1999	Bias, Sr.	F16B 37/14
					411/373
D439,213	S *	3/2001	Huang	D12/213
D720,208	S *	12/2014	Jordan	D8/397
D738,265	S *	9/2015	McNeeley	D12/118
D785,538	S *	5/2017	Jordan	D12/213

D786,057	S *	5/2017	Baiz	D8/397
D788,574	S *	6/2017	Baiz	D8/387
D792,206	S *	7/2017	Baiz	D8/397
D793,220	S *	8/2017	Baiz	D8/397
D801,167	S *	10/2017	Baiz	D8/397
D809,376	S *	2/2018	Huang	D8/397
D809,910	S *	2/2018	Vargas	D8/397
D821,861	S *	7/2018	Huang	D8/397
D821,862	S *	7/2018	Huang	D8/397
D828,151	S *	9/2018	Huang	D8/397
D828,152	S *	9/2018	Huang	D8/397
2013/0170923	A1 *	7/2013	Kuhm	F16B 37/08
					411/427
2017/0144478	A1 *	5/2017	Baiz	B60B 7/0013

* cited by examiner

Primary Examiner — Sandra S Snapp

Assistant Examiner — Ieisha N Price

(74) *Attorney, Agent, or Firm* — Thomas I. Rozsa

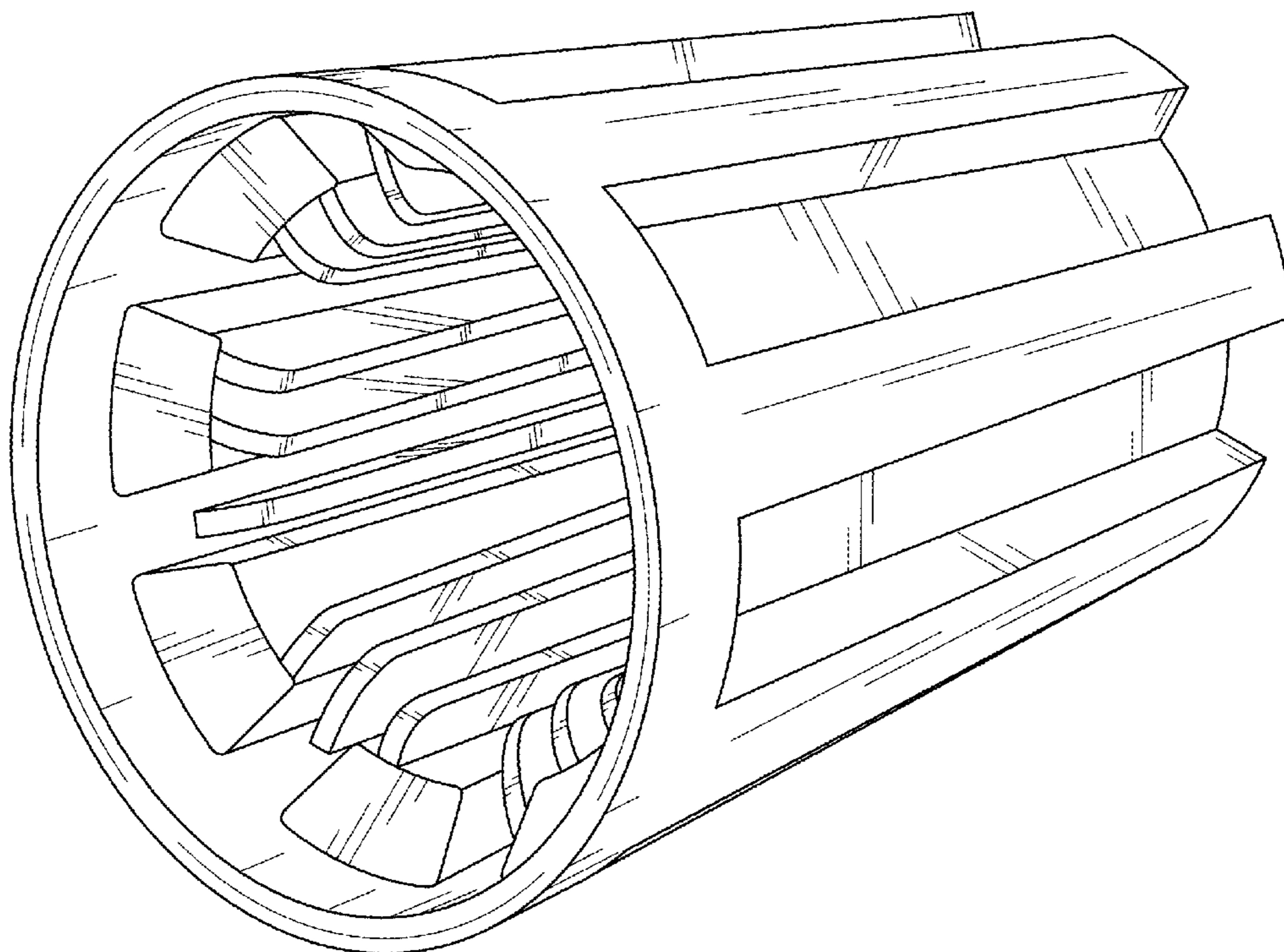
(57) **CLAIM**

The ornamental design for a gear lug nut cover, as shown and described.

DESCRIPTION

FIG. 1 is a top side perspective view of a gear lug nut cover, showing my new design;
FIG. 2 is a bottom side perspective view thereof;
FIG. 3 is a front view thereof;
FIG. 4 is a rear view thereof;
FIG. 5 is a top plan view thereof;
FIG. 6 is a bottom plan view thereof;
FIG. 7 is a left view thereof; and,
FIG. 8 is a right view thereof.

1 Claim, 8 Drawing Sheets



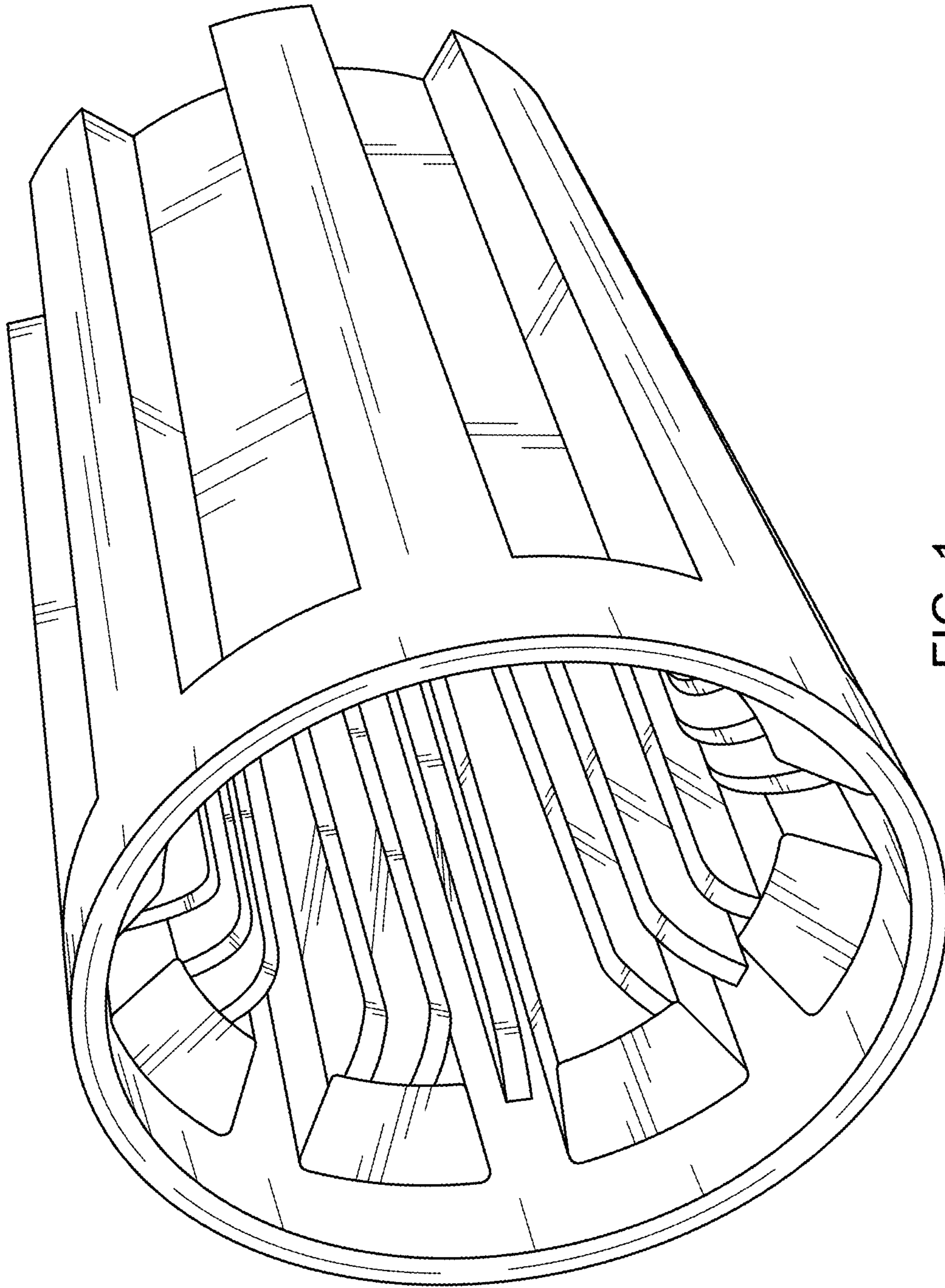


FIG. 1

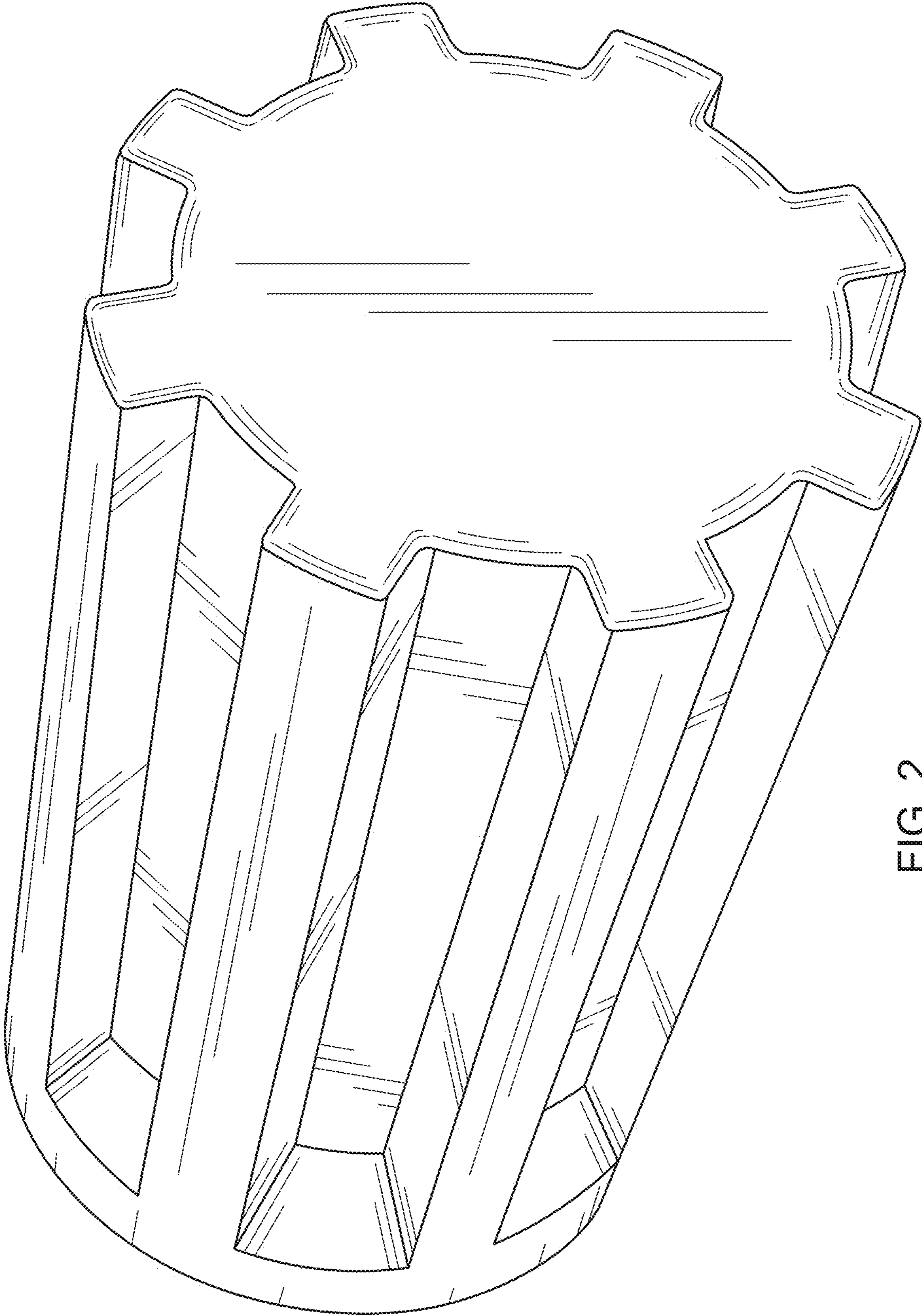


FIG. 2

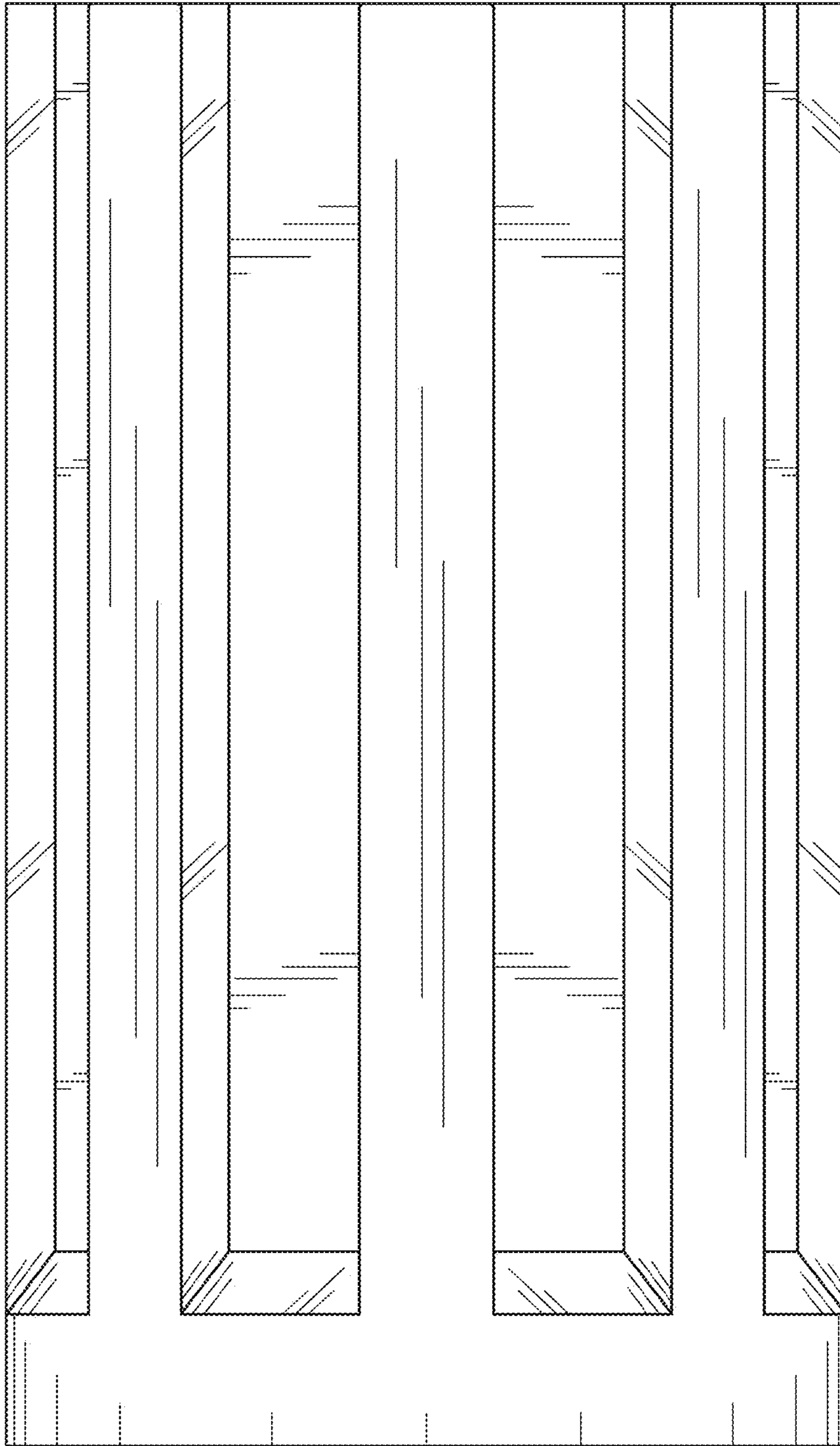


FIG. 3

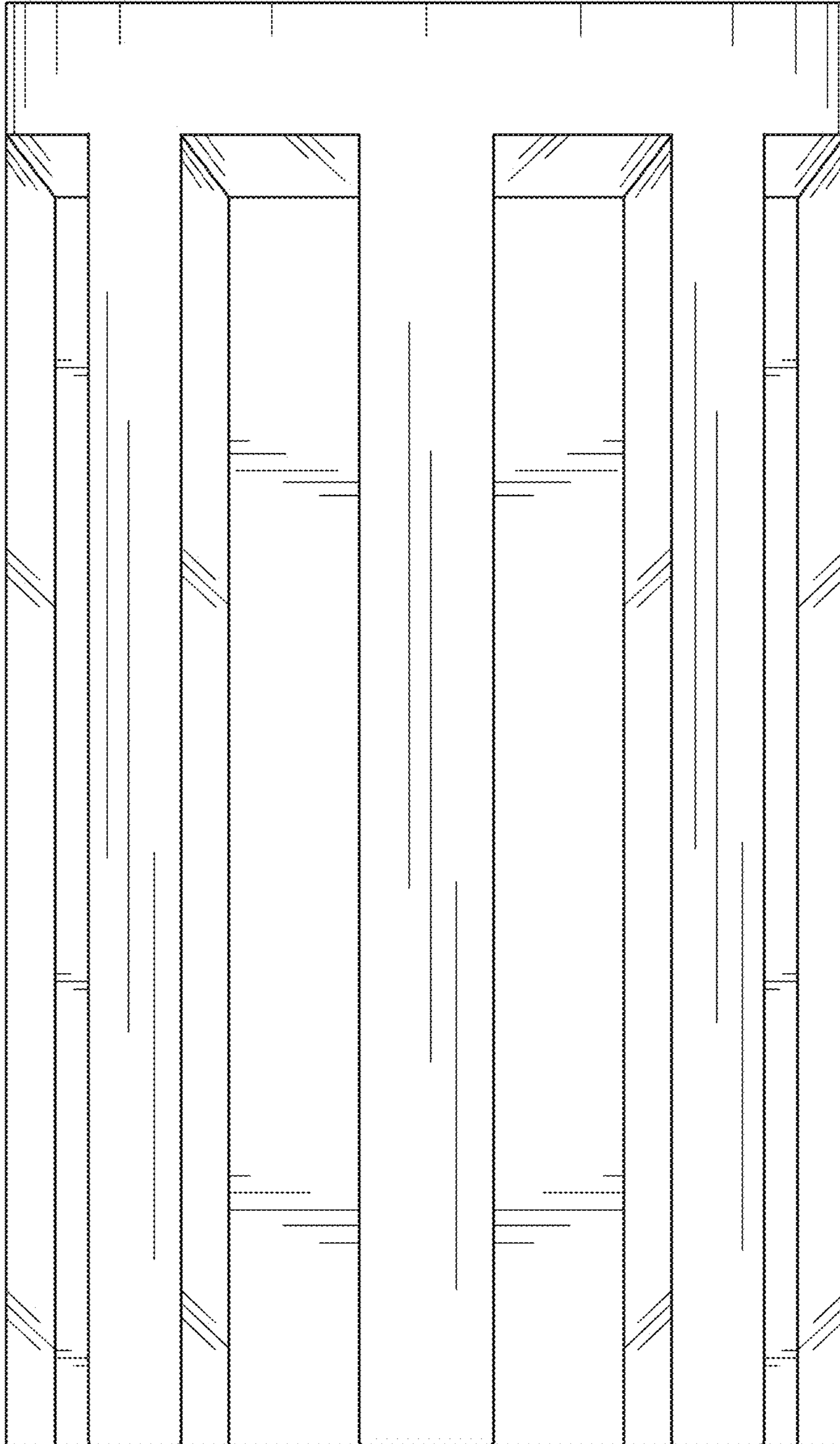


FIG. 4

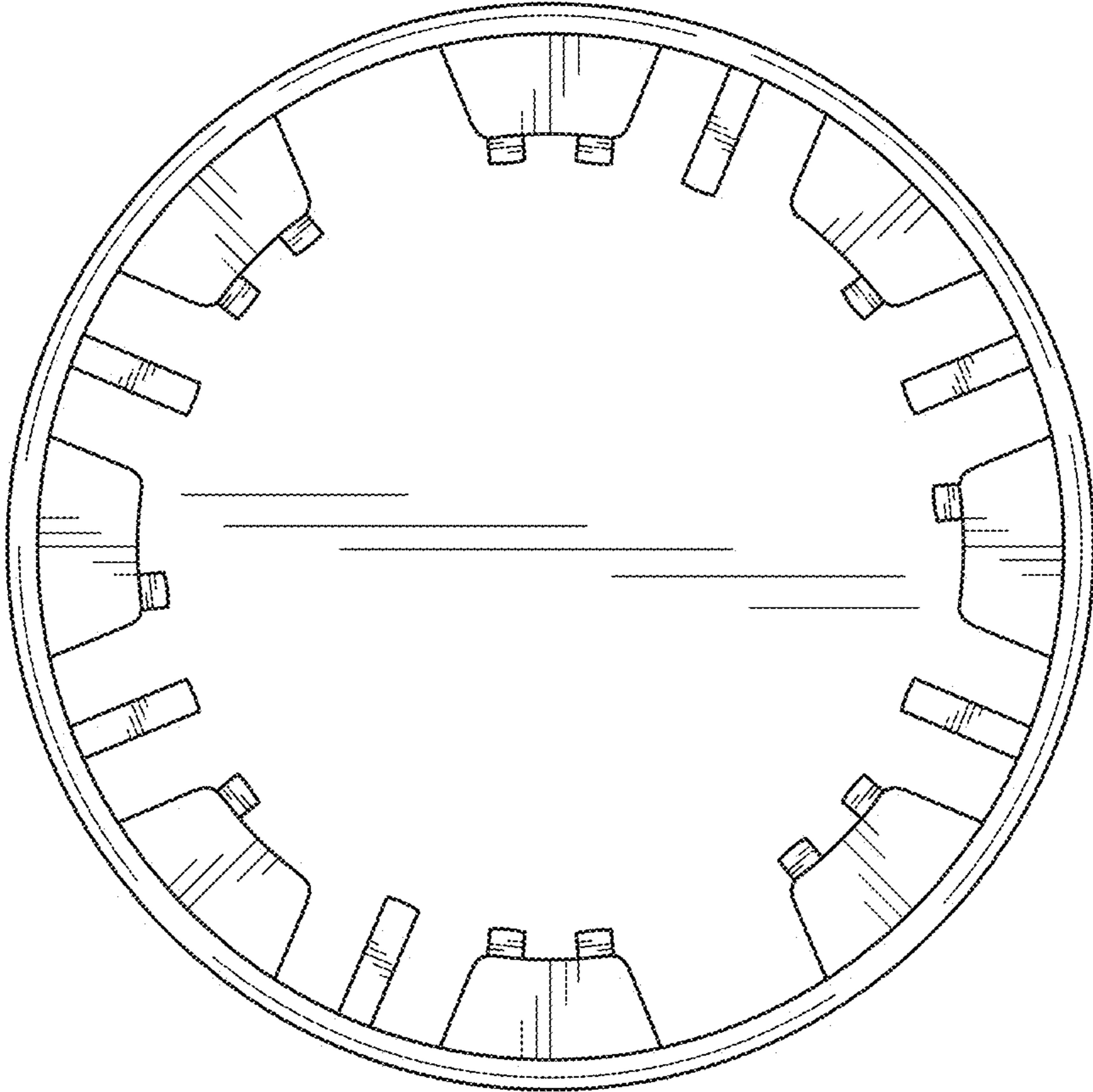


FIG. 5

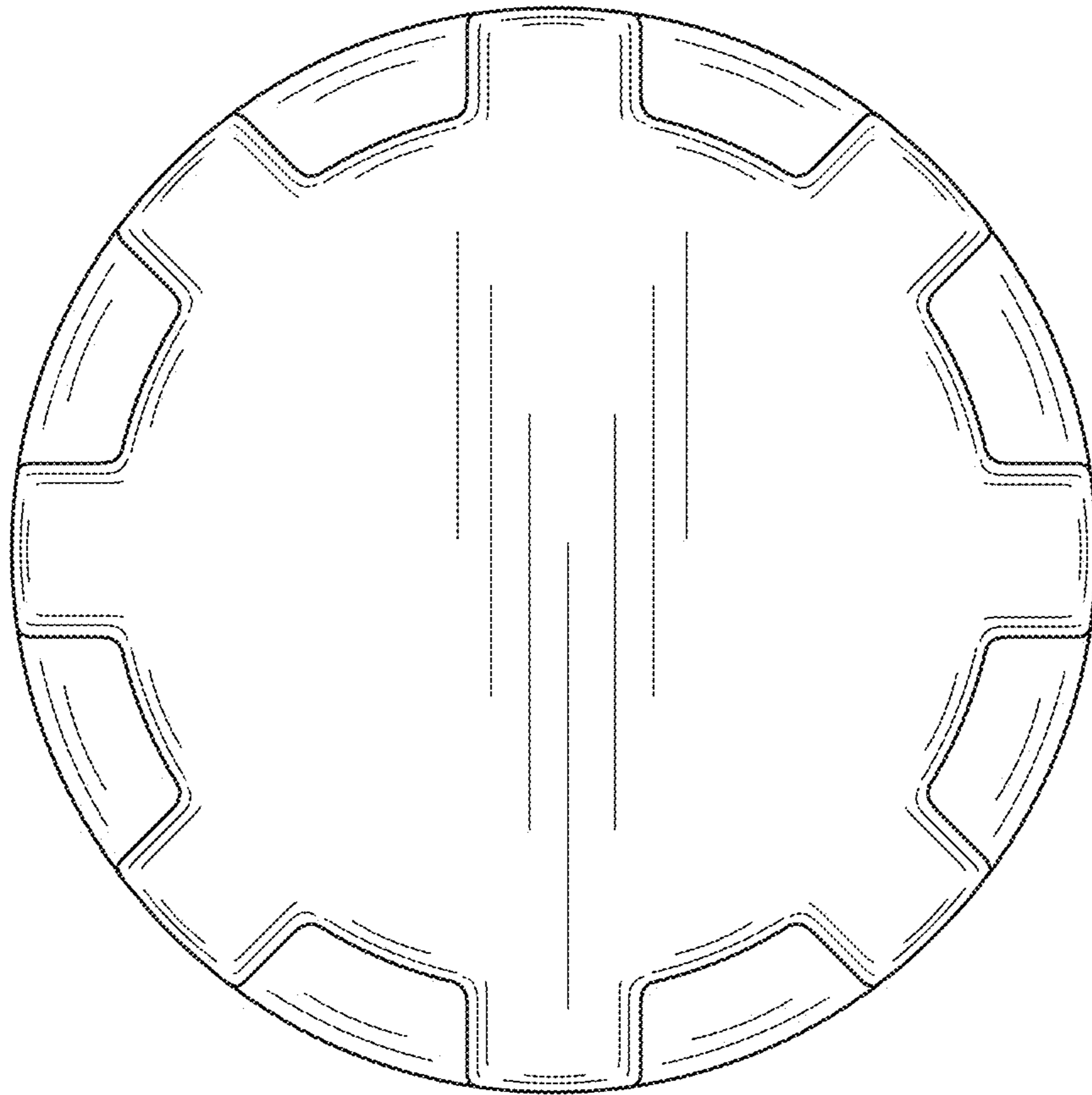


FIG. 6

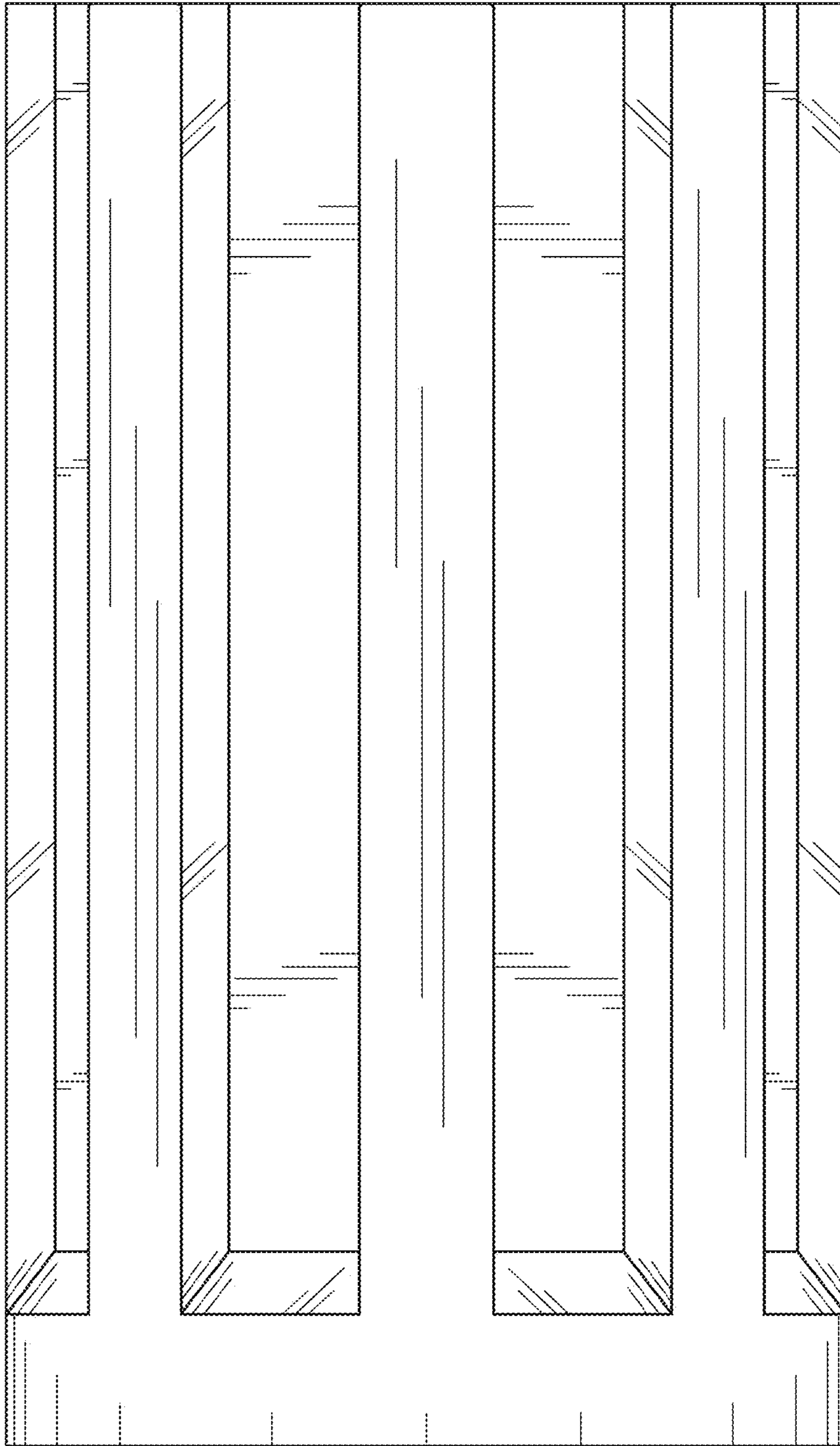


FIG. 7

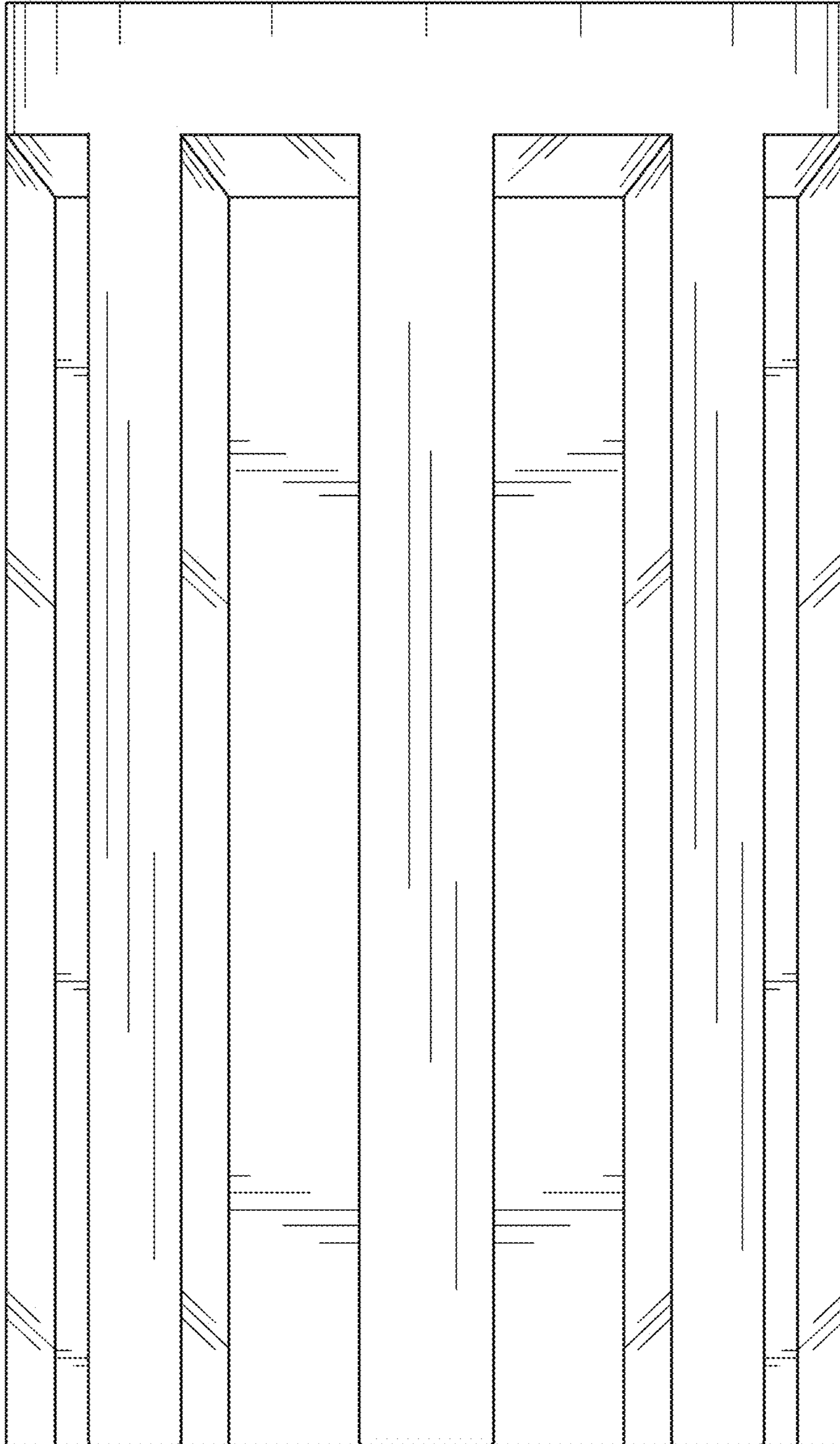


FIG. 8