



US00D892608S

(12) **United States Design Patent**
Hu

(10) **Patent No.:** **US D892,608 S**

(45) **Date of Patent:** **** Aug. 11, 2020**

(54) **UMBRELLA HOOK**

(71) Applicant: **Jianfeng Hu**, Shangyu (CN)

(72) Inventor: **Jianfeng Hu**, Shangyu (CN)

(**) Term: **15 Years**

(21) Appl. No.: **29/654,583**

(22) Filed: **Jun. 26, 2018**

(51) **LOC (12) Cl.** **08-08**

(52) **U.S. Cl.**
USPC **D8/396; D3/10**

(58) **Field of Classification Search**
USPC D8/349, 354, 380, 394-396; D3/10
CPC F16L 3/12; F16L 3/24; F16L 3/00; F16L
3/137

See application file for complete search history.

(56) **References Cited**

U.S. PATENT DOCUMENTS

D134,500 S *	12/1942	Bernhard	D8/372
D189,873 S *	3/1961	Glassenhart et al.	D8/380
D205,496 S *	8/1966	Briles	D8/372
D344,672 S *	3/1994	Current	D8/373
D383,050 S *	9/1997	Palmer	D8/354
D383,967 S *	9/1997	DeMars	D8/354
D434,968 S *	12/2000	Fortier	D8/354
6,199,819 B1 *	3/2001	Churillo	A45B 11/00 135/16
D505,617 S *	5/2005	Eason	D8/396

D711,731 S *	8/2014	Sugiura	D17/22
D723,902 S *	3/2015	Wongso	D8/349
D807,727 S *	1/2018	Krombein	D8/354
D868,574 S *	12/2019	Pittman	D8/396
2011/0011999 A1 *	1/2011	Wischnik	A45B 3/00 248/225.21

* cited by examiner

Primary Examiner — Lauren R Calve

(74) *Attorney, Agent, or Firm* — Law Offices of Steven W. Weinrieb

(57) **CLAIM**

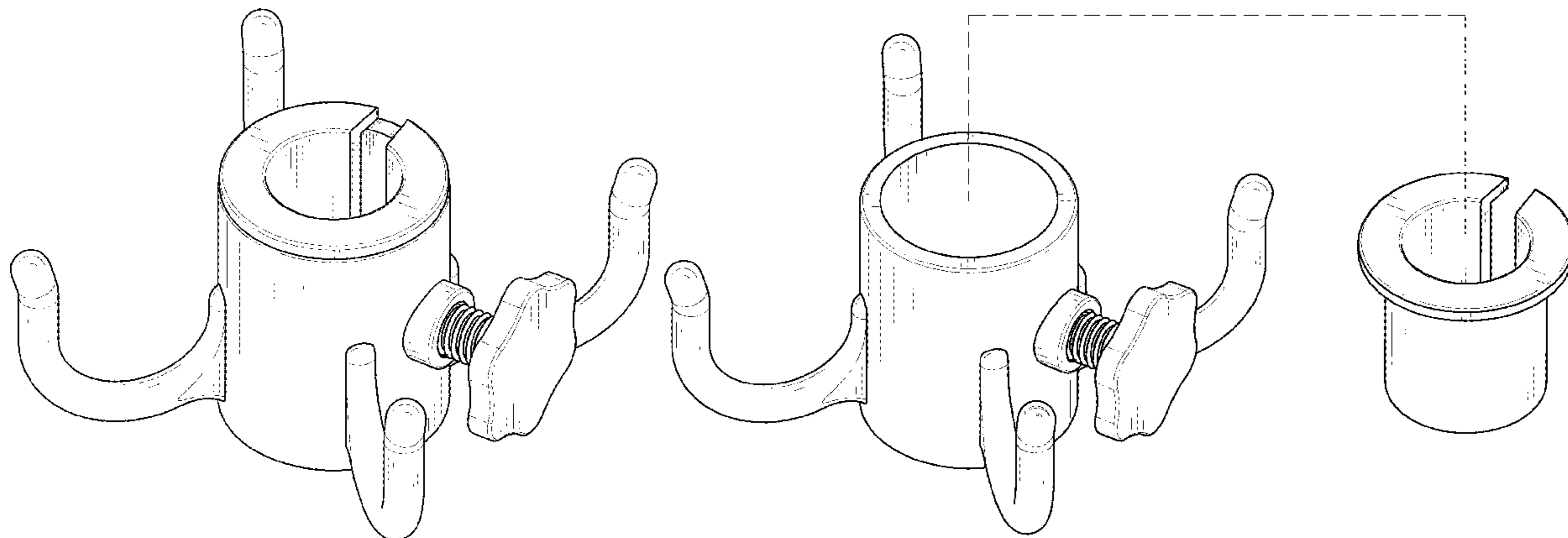
What is claimed is the ornamental design for an umbrella hook, as shown and described.

DESCRIPTION

FIG. 1 is a first perspective view of an umbrella hook showing the new claimed design;
FIG. 2 is a second perspective view thereof;
FIG. 3 is a front elevational view thereof;
FIG. 4 is a rear elevational view thereof;
FIG. 5 is a left side elevational view thereof;
FIG. 6 is a right side elevational view thereof;
FIG. 7 is a top plan view thereof;
FIG. 8 is a bottom plan view thereof; and,
FIG. 9 is a perspective view thereof shown in an environment in which it may be used.

The broken lines immediately adjacent to the claimed portions are boundaries, all other broken lines are environmental structures; all the broken lines form no part of the claimed design.

1 Claim, 9 Drawing Sheets



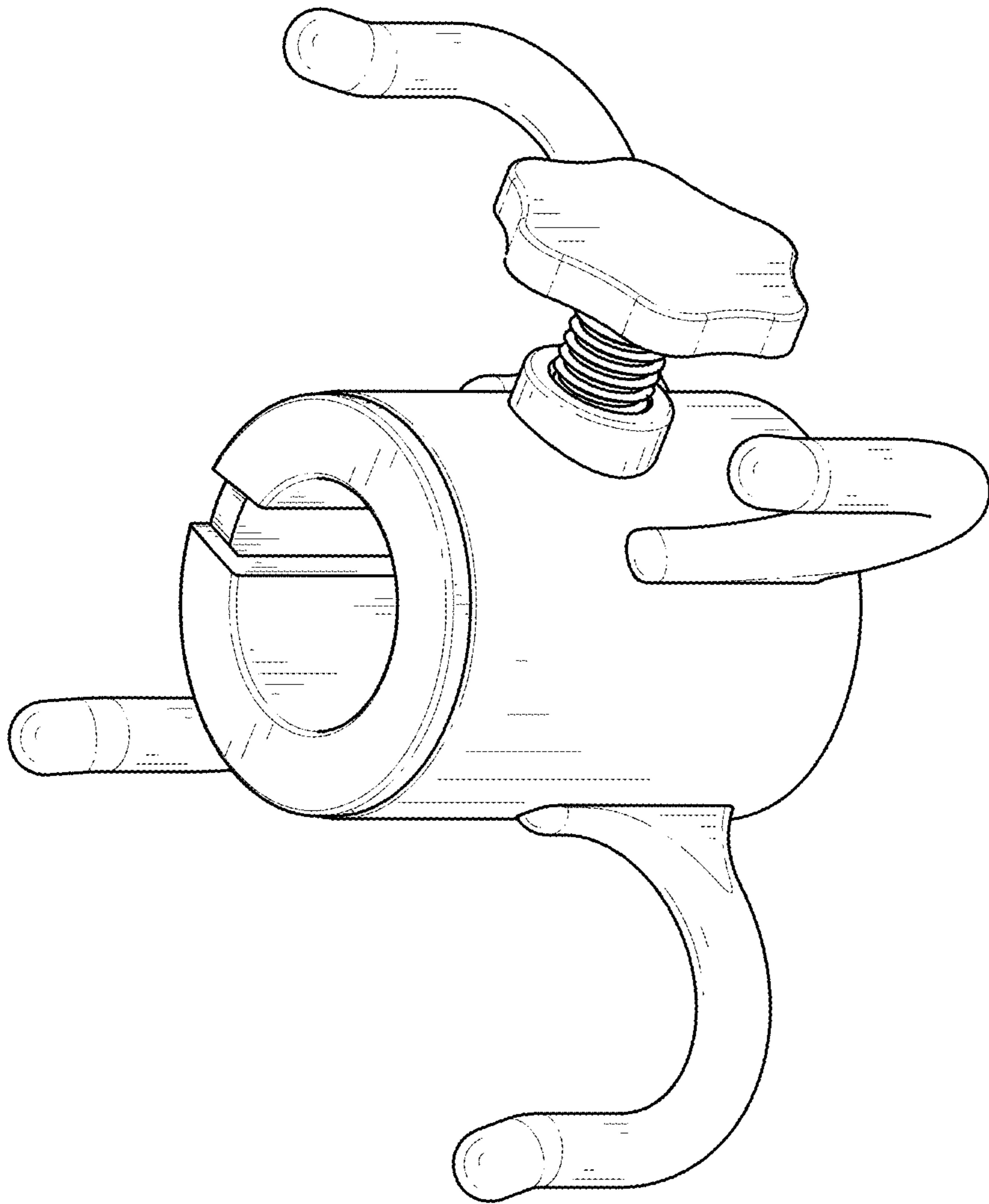


FIG. 1

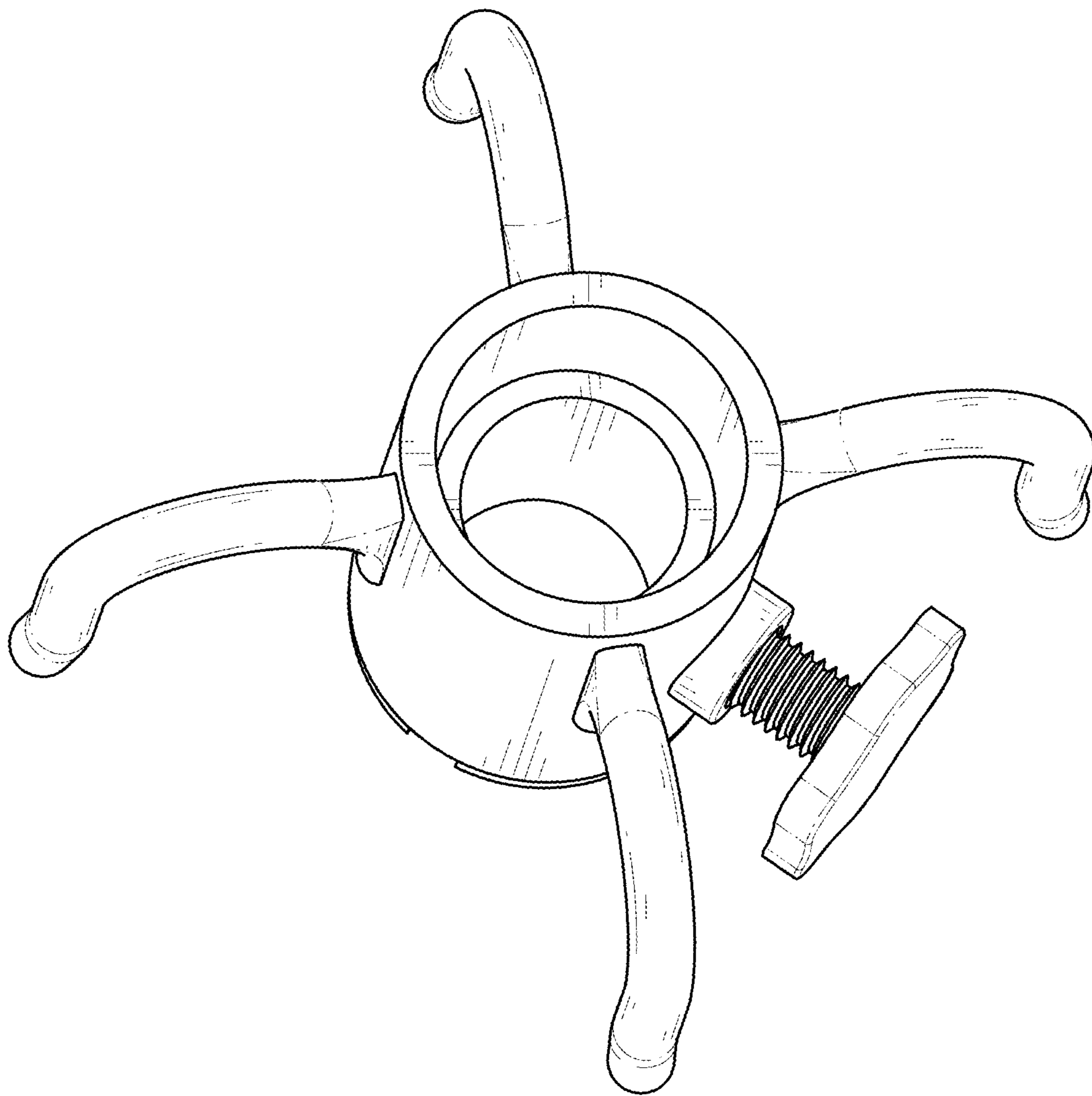


FIG. 2

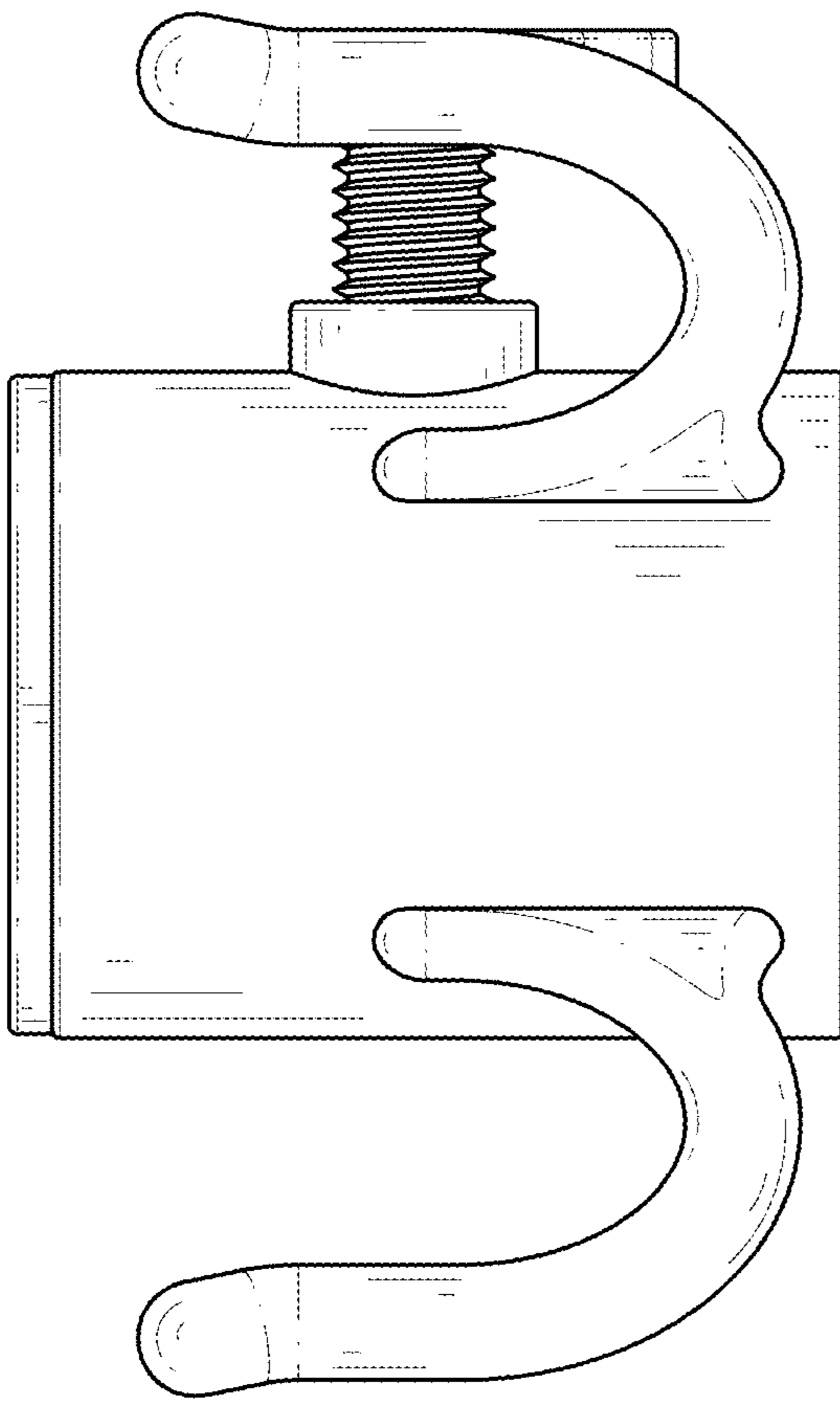


FIG. 3

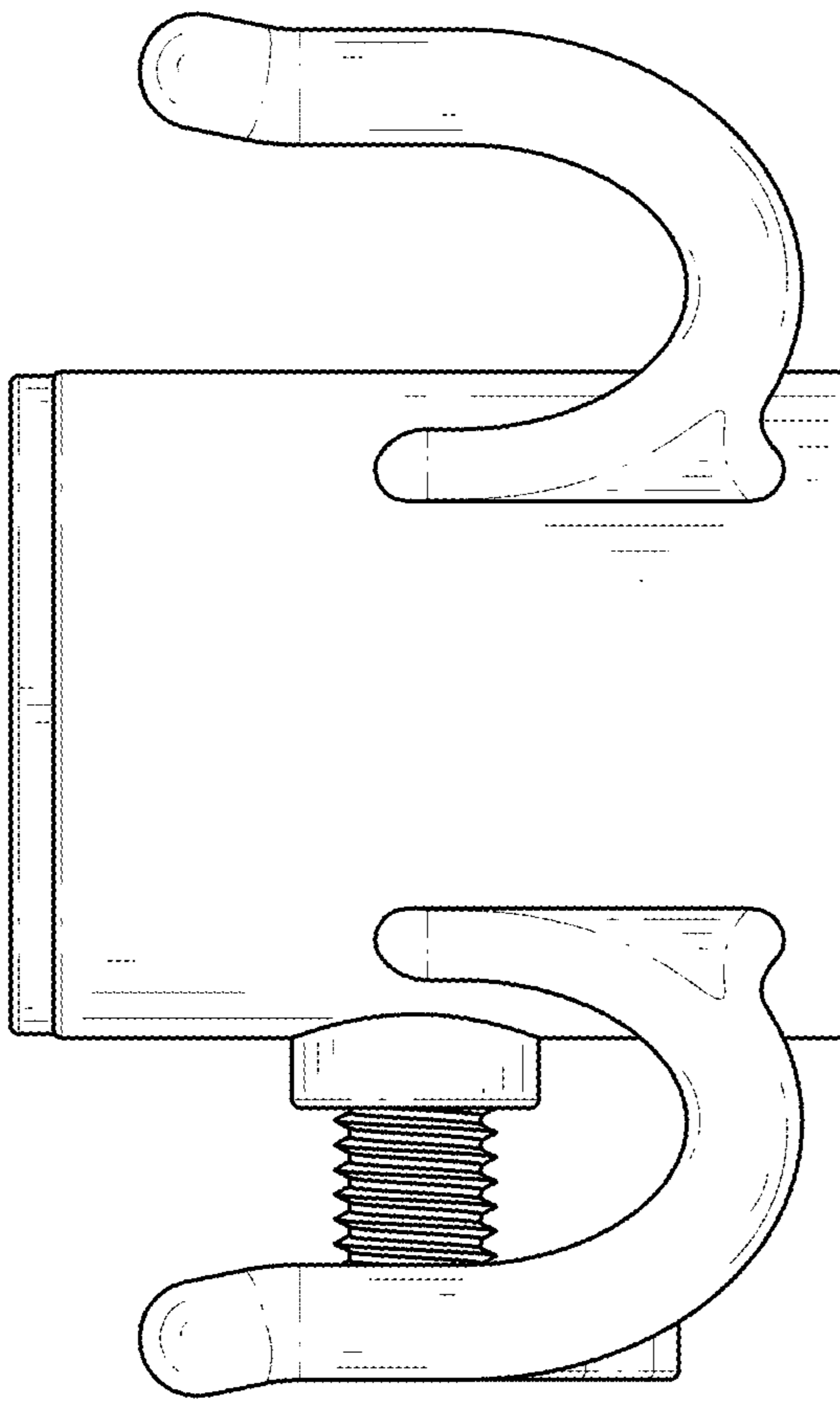


FIG. 4

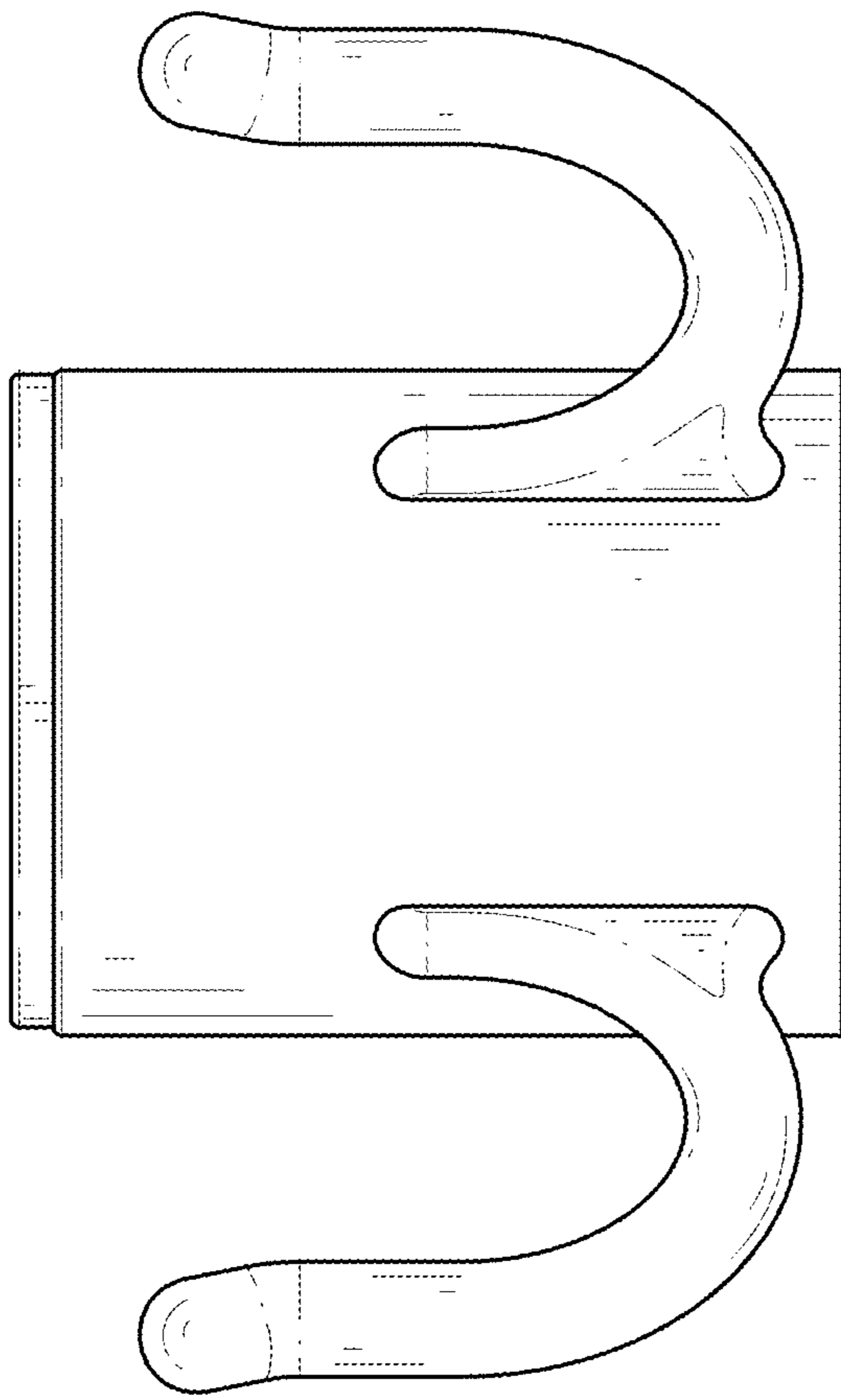


FIG. 5

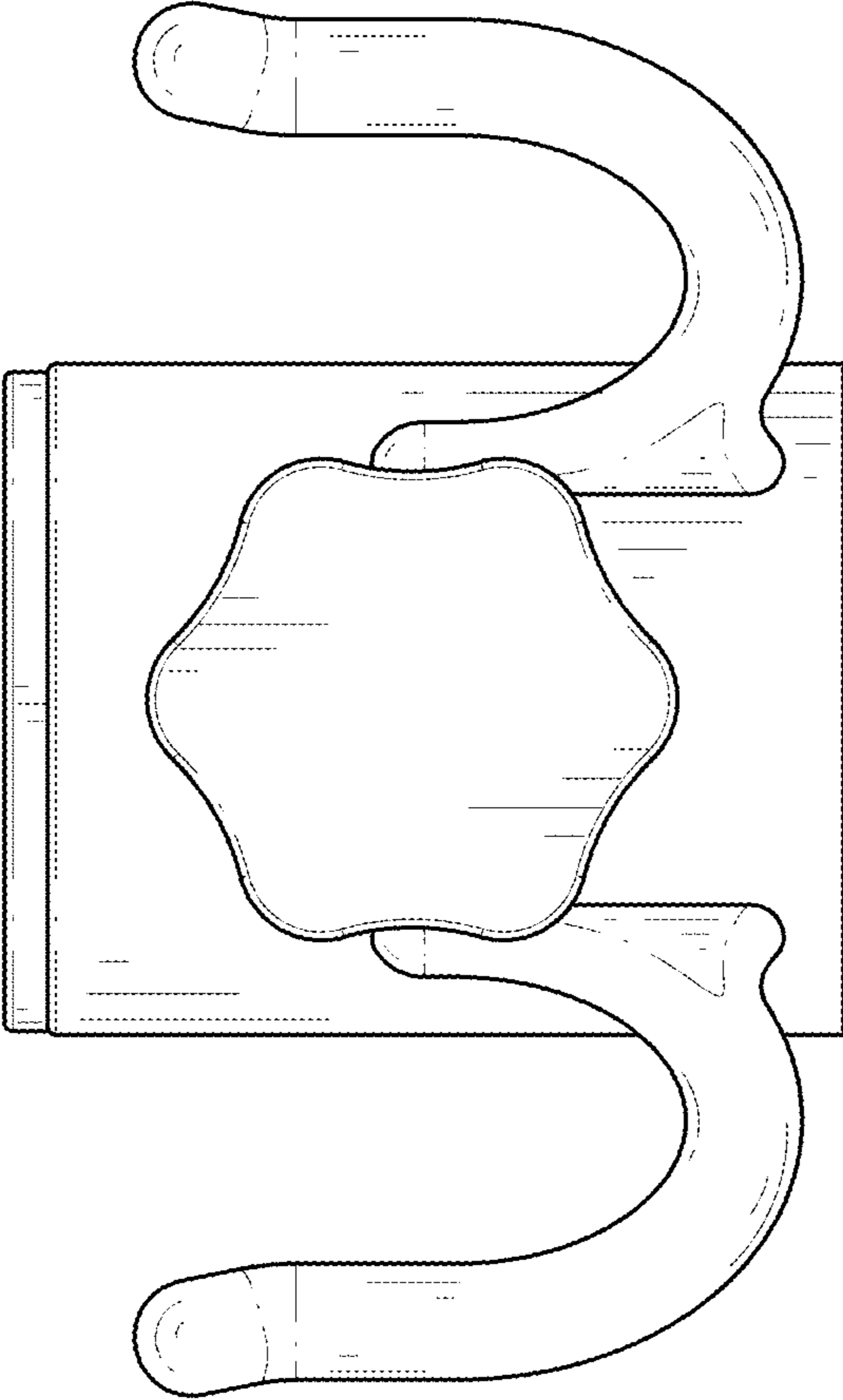


FIG. 6

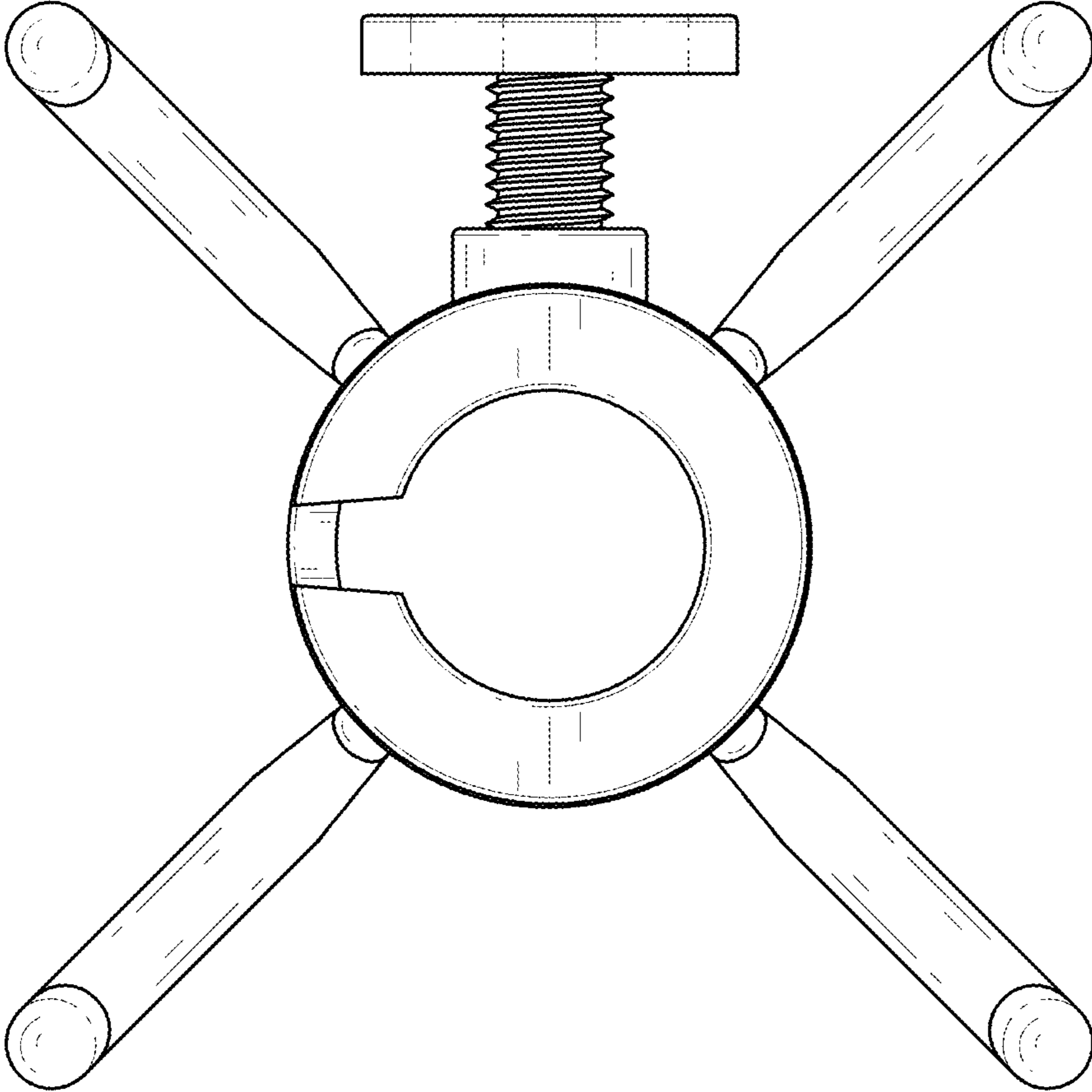


FIG. 7

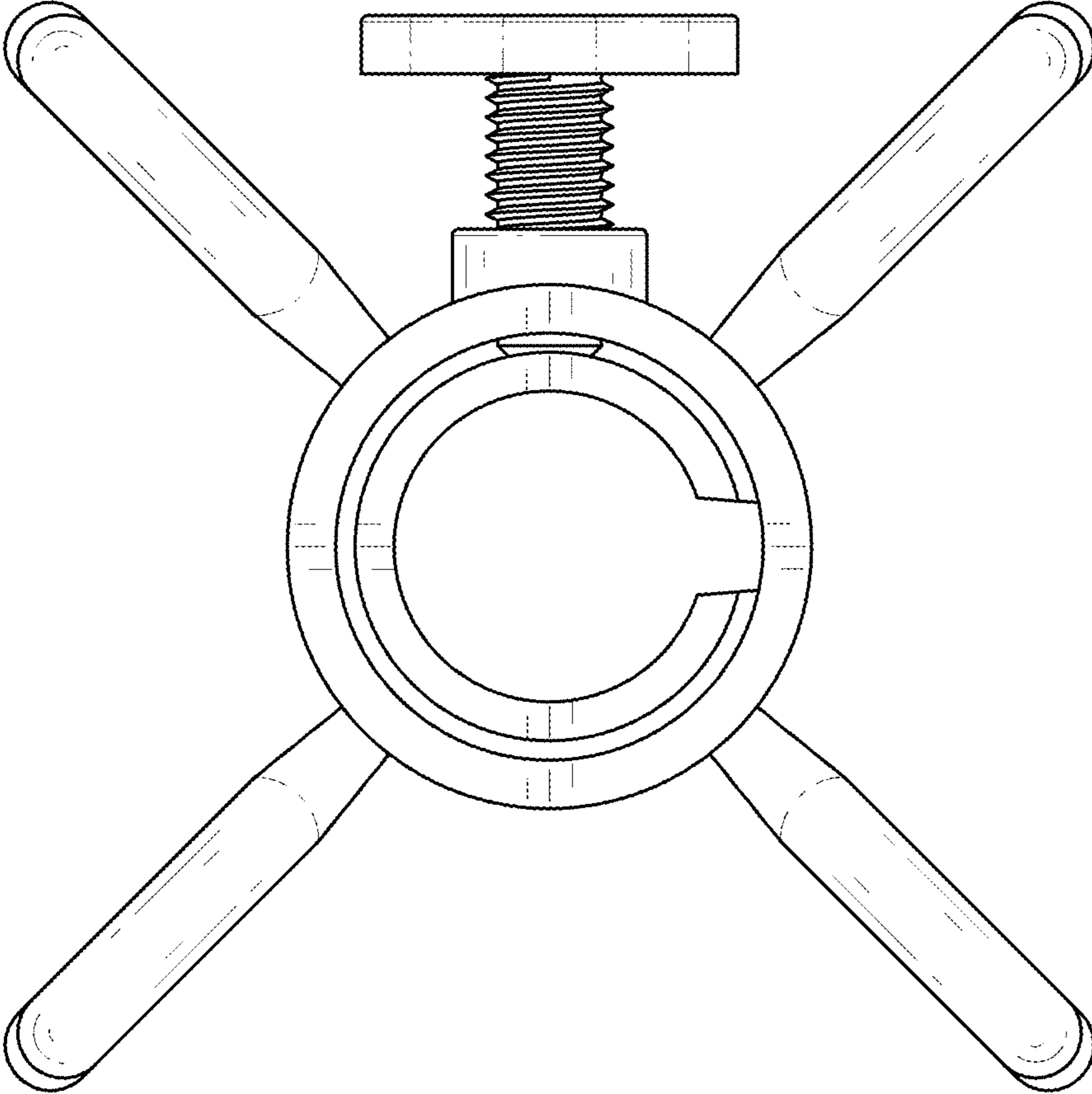


FIG. 8

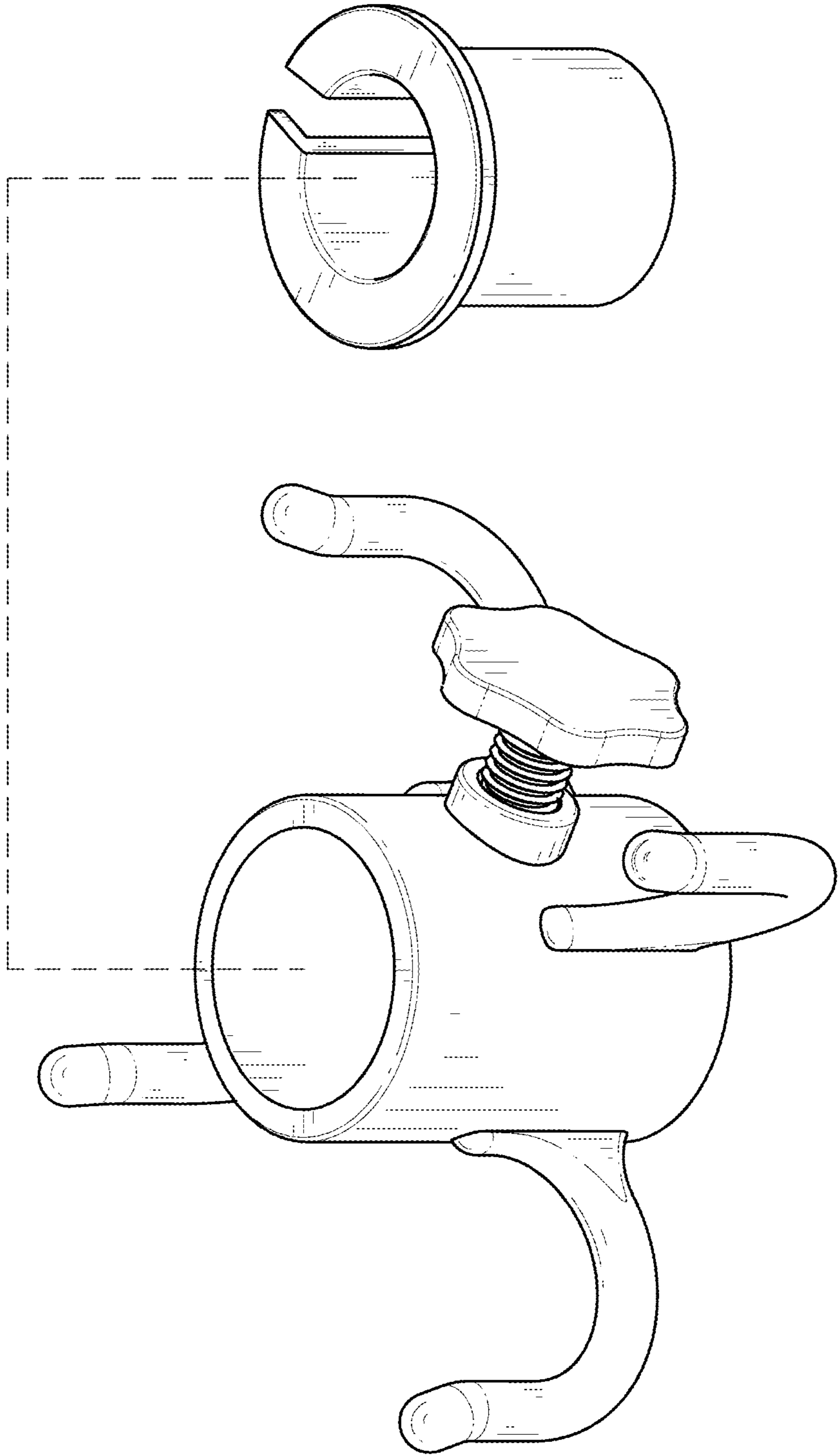


FIG. 9



US00D892608C1

(12) **EX PARTE REEXAMINATION CERTIFICATE** (12098th)
United States Patent
Hu

(10) **Number:** **US D892,608 C1**
(45) **Certificate Issued:** **Jul. 14, 2022**

(54) **UMBRELLA HOOK**
(71) Applicant: **Jianfeng Hu**, Shangyu (CN)
(72) Inventor: **Jianfeng Hu**, Shangyu (CN)

(58) **Field of Classification Search**
USPC D8/354, 367, 372, 396; D3/10
CPC F16L 3/12; F16L 3/24; F16L 3/00; F16L
3/137; A45F 3/44; A01K 97/10; A45B
11/00
See application file for complete search history.

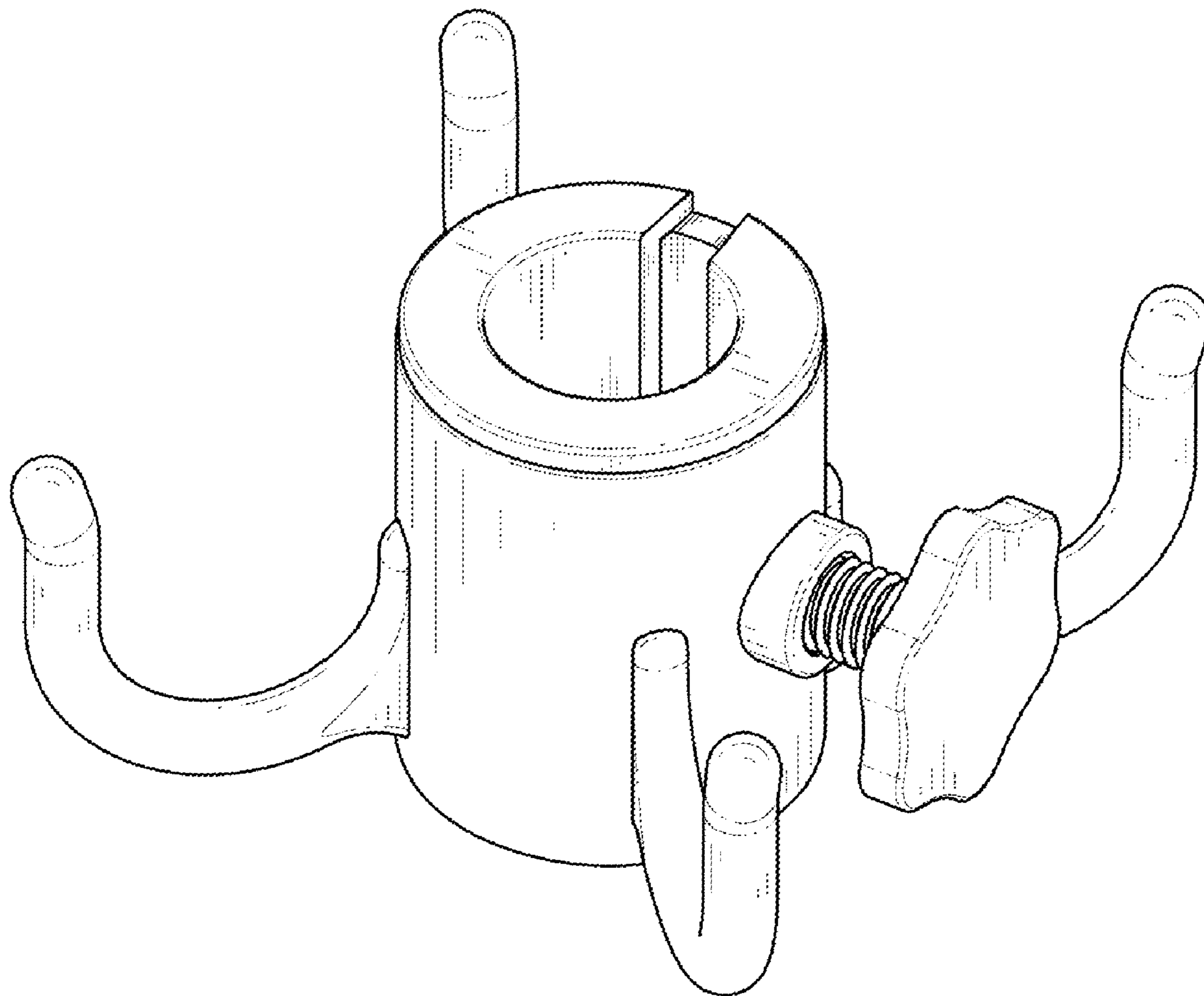
Reexamination Request:
No. 90/014,799, Jul. 13, 2021

Reexamination Certificate for:
Patent No.: **Des. 892,608**
Issued: **Aug. 11, 2020**
Appl. No.: **29/654,583**
Filed: **Jun. 26, 2018**

(56) **References Cited**
To view the complete listing of prior art documents cited during the proceeding for Reexamination Control Number 90/014,799, please refer to the USPTO's public Patent Application Information Retrieval (PAIR) system under the Display References tab.

(51) **LOC (13) Cl.** **08-08**
(52) **U.S. Cl.**
USPC **D8/396; D3/10**

Primary Examiner — Philip S Hyder



1
EX PARTE
REEXAMINATION CERTIFICATE

THE PATENT IS HEREBY AMENDED AS
INDICATED BELOW.

5

AS A RESULT OF REEXAMINATION, IT HAS BEEN
DETERMINED THAT:

The Claim 1 is cancelled.

10

* * * * *